



US00D400529S

**United States Patent** [19]  
**Kakizaki**

[11] **Patent Number:** **Des. 400,529**  
[45] **Date of Patent:** **\*\*Nov. 3, 1998**

[54] **CASSETT TAPE PLAYER WITH RADIO  
TUNER FOR CAR AUDIO**

[75] Inventor: **Shigeyuki Kakizaki**, Tokyo, Japan

[73] Assignee: **Sony Kabushiki Kaisha**, Tokyo, Japan

[\*\*] Term: **14 Years**

[21] Appl. No.: **51,656**

[22] Filed: **Mar. 15, 1996**

[51] **LOC (6) Cl.** ..... **14-03**

[52] **U.S. Cl.** ..... **D14/157**

[58] **Field of Search** ..... D14/124, 157,  
D14/160-165, 188, 257, 258; 455/89-90,  
346-349

[56] **References Cited**

**U.S. PATENT DOCUMENTS**

D. 314,961	2/1991	Davidson	.....	D14/157
D. 331,406	12/1992	Goatman	.....	D14/157 X
D. 332,452	1/1993	Shirai	.....	D14/157 X
D. 345,359	3/1994	Yamane	.....	D14/157
D. 351,167	10/1994	Yun	.....	D14/258 X
D. 367,275	2/1996	Ito et al.	.....	D14/188

*Primary Examiner*—James Gandy  
*Assistant Examiner*—Cathron B. Matta  
*Attorney, Agent, or Firm*—Morgan & Finnegan, LLP

[57] **CLAIM**

The ornamental design for a cassette tape player with radio tuner for car audio, as shown and described.

**DESCRIPTION**

FIG. 1 is a perspective view of the cassette tape player with radio tuner for car audio in accordance with the present invention;

FIG. 2 is a top plan view of the cassette tape player of FIG. 1;

FIG. 3 is a front elevation of the cassette tape player of FIG. 1;

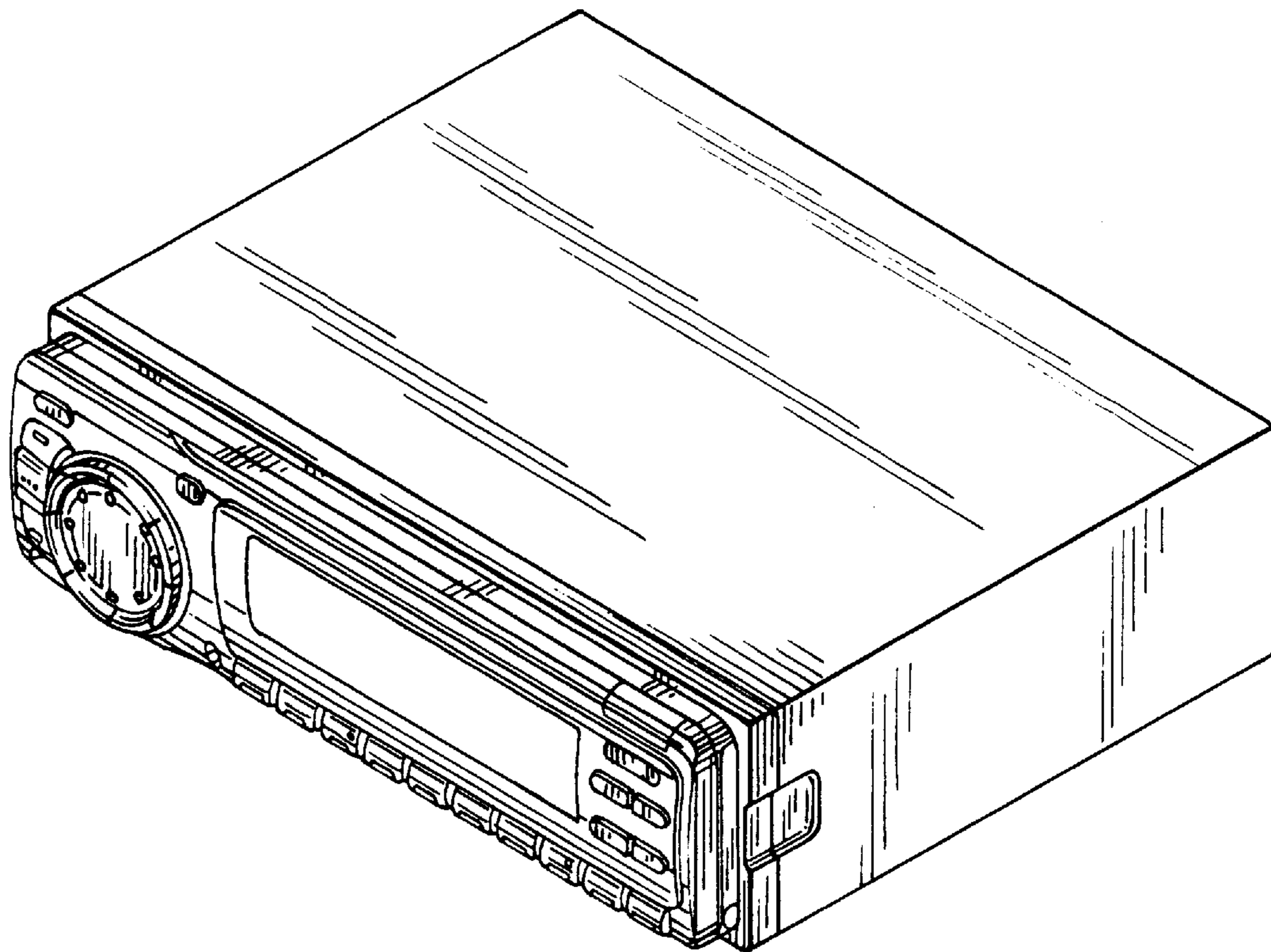
FIG. 4 is a right-side elevation view of the cassette tape player of FIG. 1;

FIG. 5 is a left-side elevation view of the cassette tape player of FIG. 1;

FIG. 6 is a bottom plan view of the cassette tape player of FIG. 1; and,

FIG. 7 is a rear elevation view of the cassette tape player of FIG. 1.

**1 Claim, 2 Drawing Sheets**



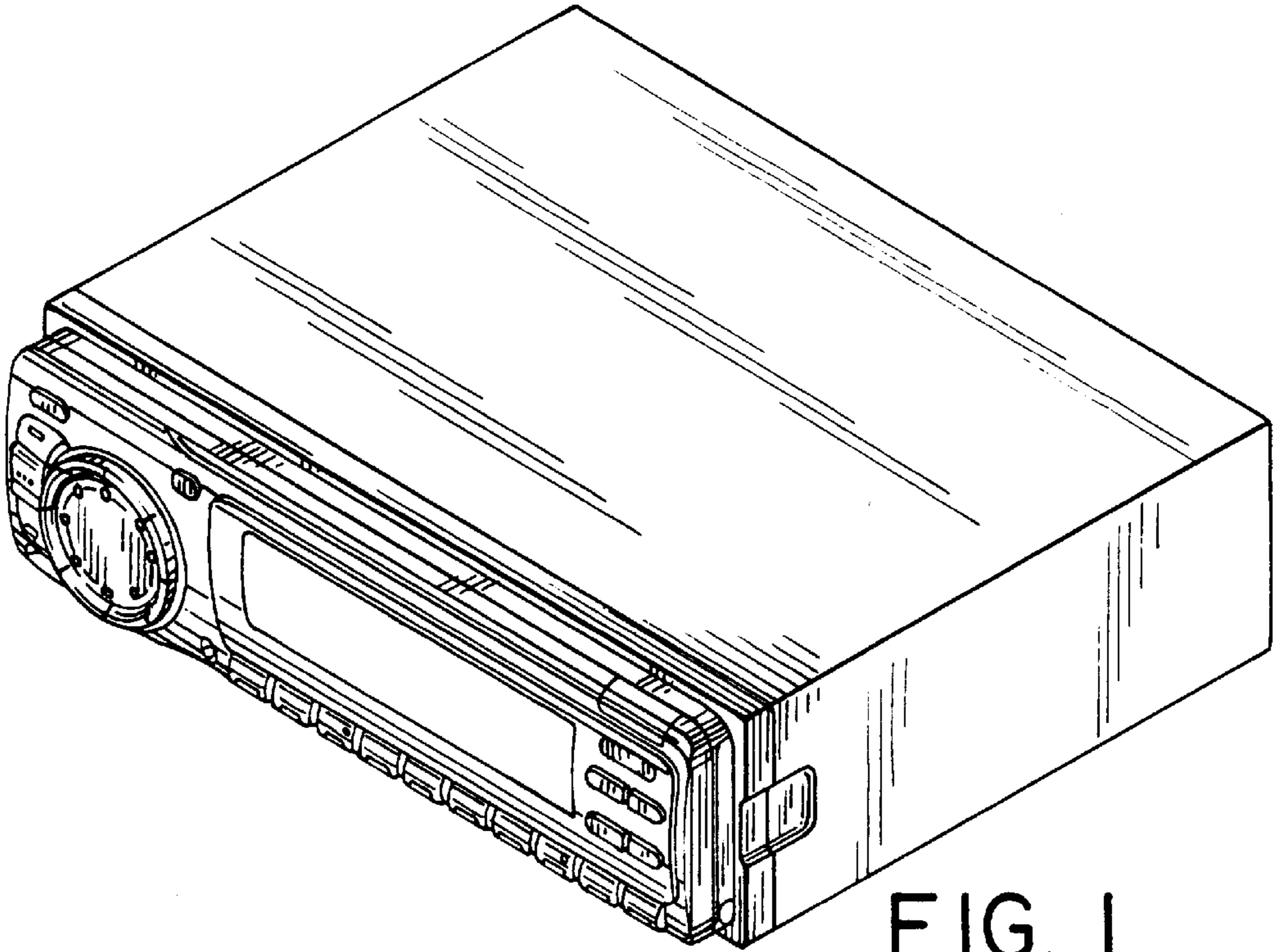


FIG. 1

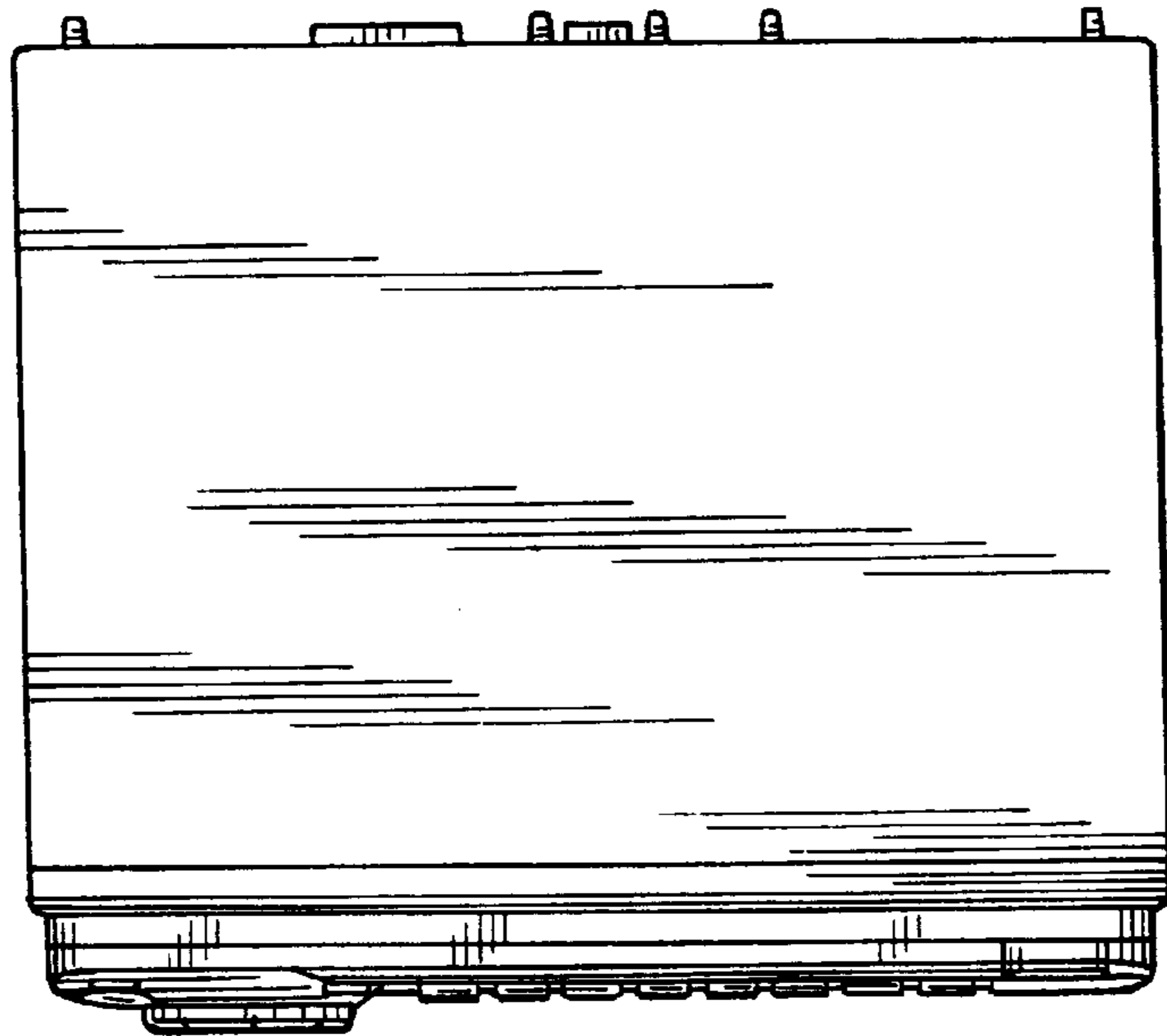


FIG. 2

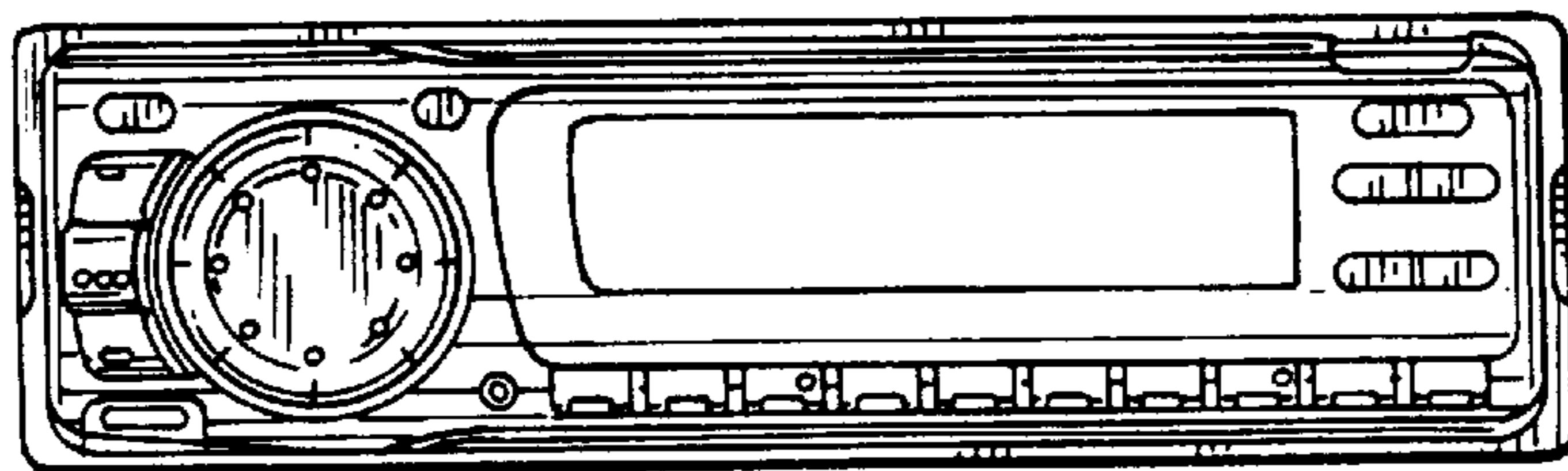


FIG. 3

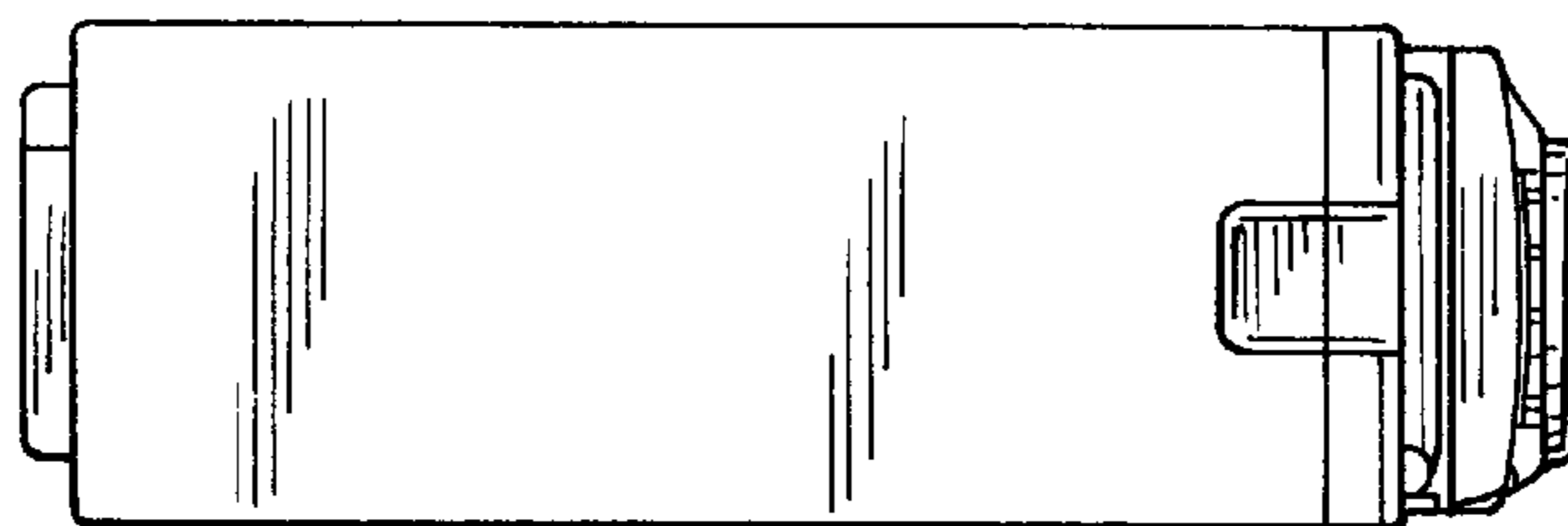


FIG. 4

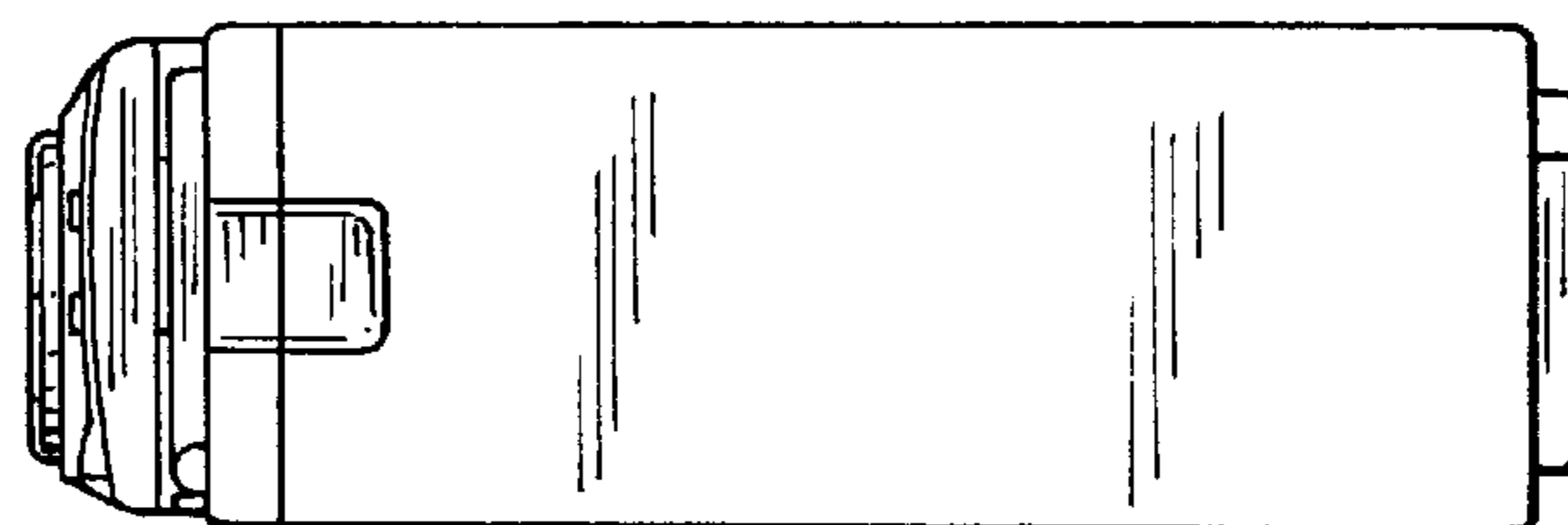


FIG. 5

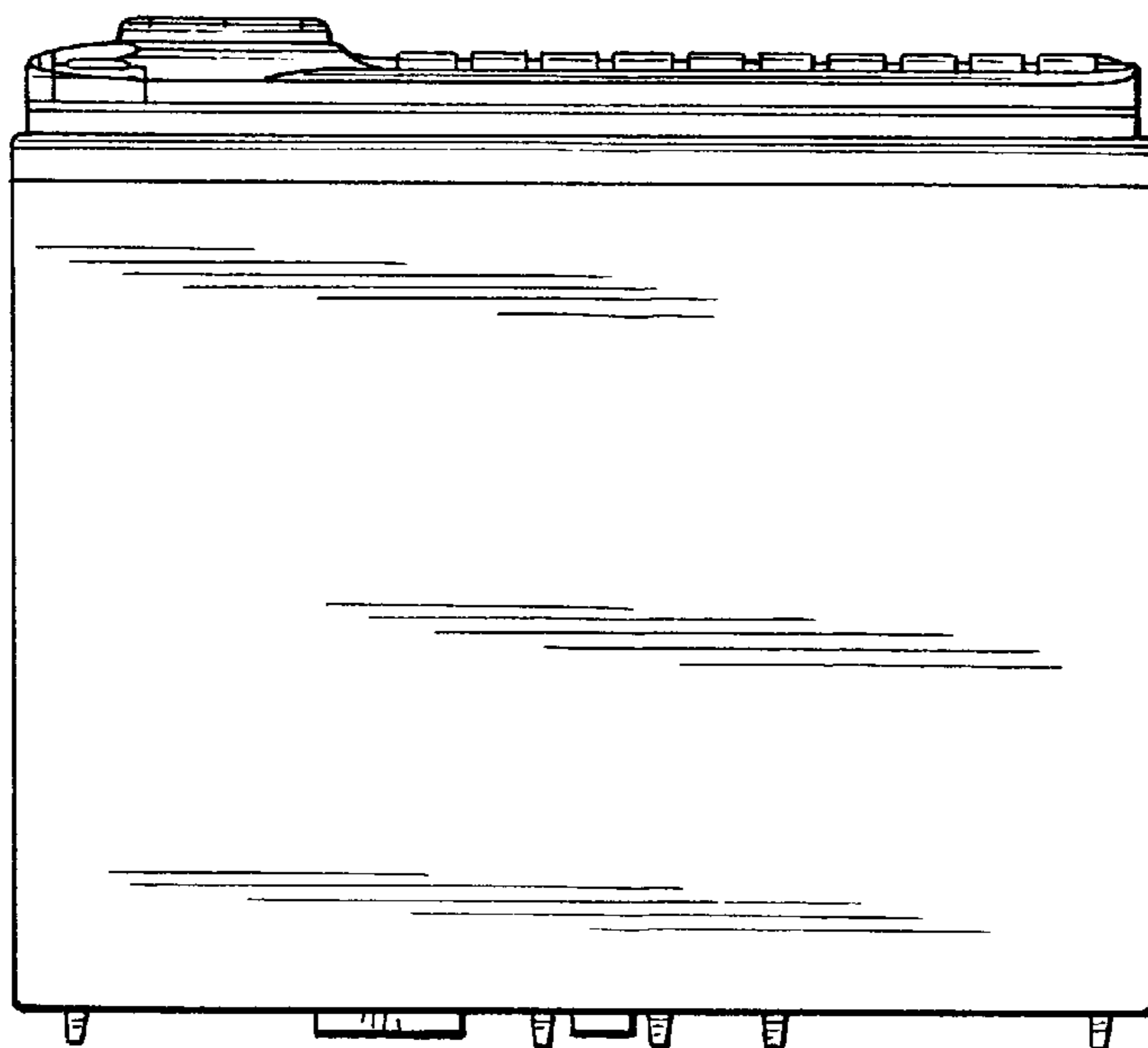


FIG. 6

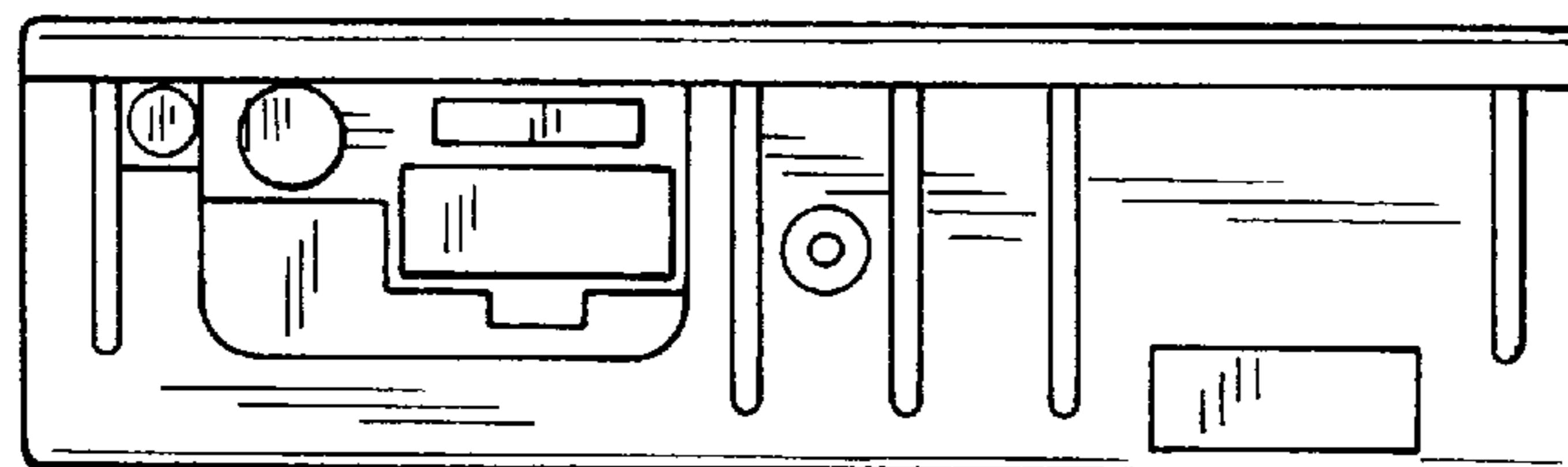


FIG. 7

UNITED STATES PATENT AND TRADEMARK OFFICE  
**CERTIFICATE OF CORRECTION**

PATENT NO. : Des. 400,529

DATED : November 3, 1998

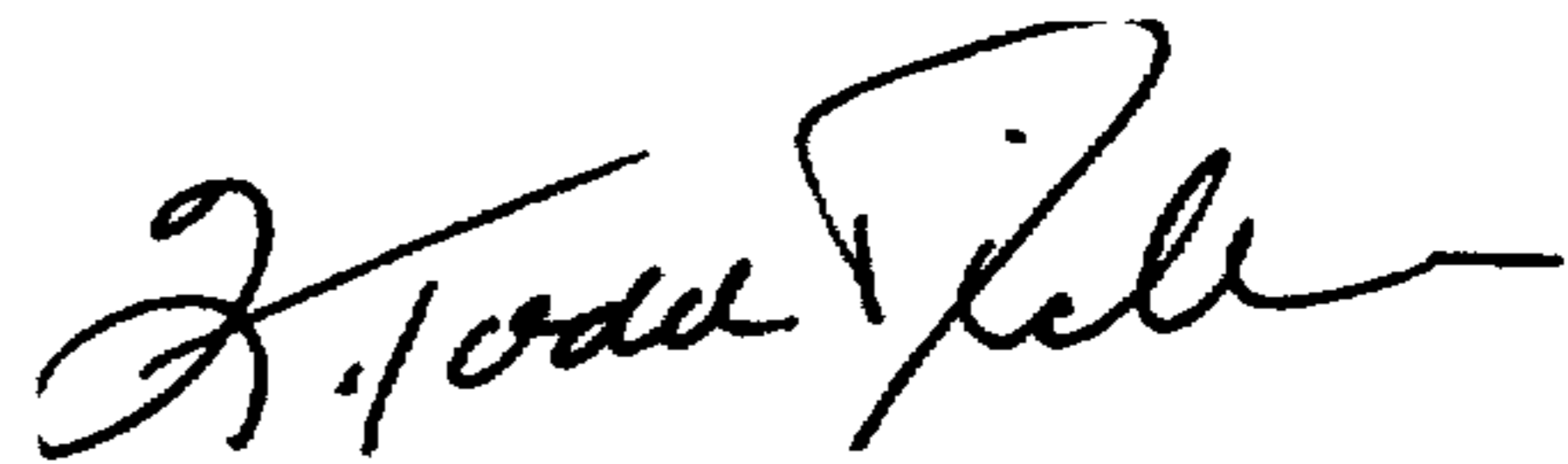
INVENTOR(S) : Shigeyuki Kakizaki

It is certified that errors appear in the above-identified patent and that said Letters Patent is hereby corrected as shown below:

In the title, please delete "CASSETT" and insert therefor --CASSETTE--.

Signed and Sealed this  
Thirteenth Day of April, 1999

Attest:



Q. TODD DICKINSON

Attesting Officer

Acting Commissioner of Patents and Trademarks