



US00D400528S

United States Patent [19]
Kanatani

[11] **Patent Number: Des. 400,528**

[45] **Date of Patent: **Nov. 3, 1998**

[54] **DISC PLAYER**

[75] Inventor: **Masakazu Kanatani**, Tokyo, Japan

[73] Assignee: **Sony Corporation**, Tokyo, Japan

[**] Term: **14 Years**

[21] Appl. No.: **59,881**

[22] Filed: **Sep. 17, 1996**

[51] **LOC (6) Cl.** **14-01**

[52] **U.S. Cl.** **D14/156**

[58] **Field of Search** D14/156, 157,
D14/136, 257, 258; 369/75.1, 75.2, 77.1,
77.2; 455/344-349

[56] **References Cited**

U.S. PATENT DOCUMENTS

- D. 341,591 11/1993 Nakamura D14/156
- D. 342,733 12/1993 Kanno D14/156
- D. 342,734 12/1993 Kanno D14/156
- D. 350,748 9/1994 Sakata et al. D14/156
- D. 350,957 9/1994 Sakata et al. D14/156

D. 354,957 1/1995 Wada et al. D14/156

Primary Examiner—B. J. Bullock
Attorney, Agent, or Firm—Foley & Lardner

[57] **CLAIM**

The ornamental design for a disc player, as shown and described.

DESCRIPTION

FIG. 1 is a perspective view of a disc player showing my new design;
 FIG. 2 is a perspective view thereof wherein the cover portion is in the open position;
 FIG. 3 is a top plan view thereof;
 FIG. 4 is a left side elevational view thereof;
 FIG. 5 is a front elevational view thereof;
 FIG. 6 is a bottom plan view thereof;
 FIG. 7 is a right side elevational view thereof; and,
 FIG. 8 is a rear elevational view thereof.

The portions of the interior of the disc player which are not shown in FIG. 2 form no part of the claimed design.

1 Claim, 3 Drawing Sheets

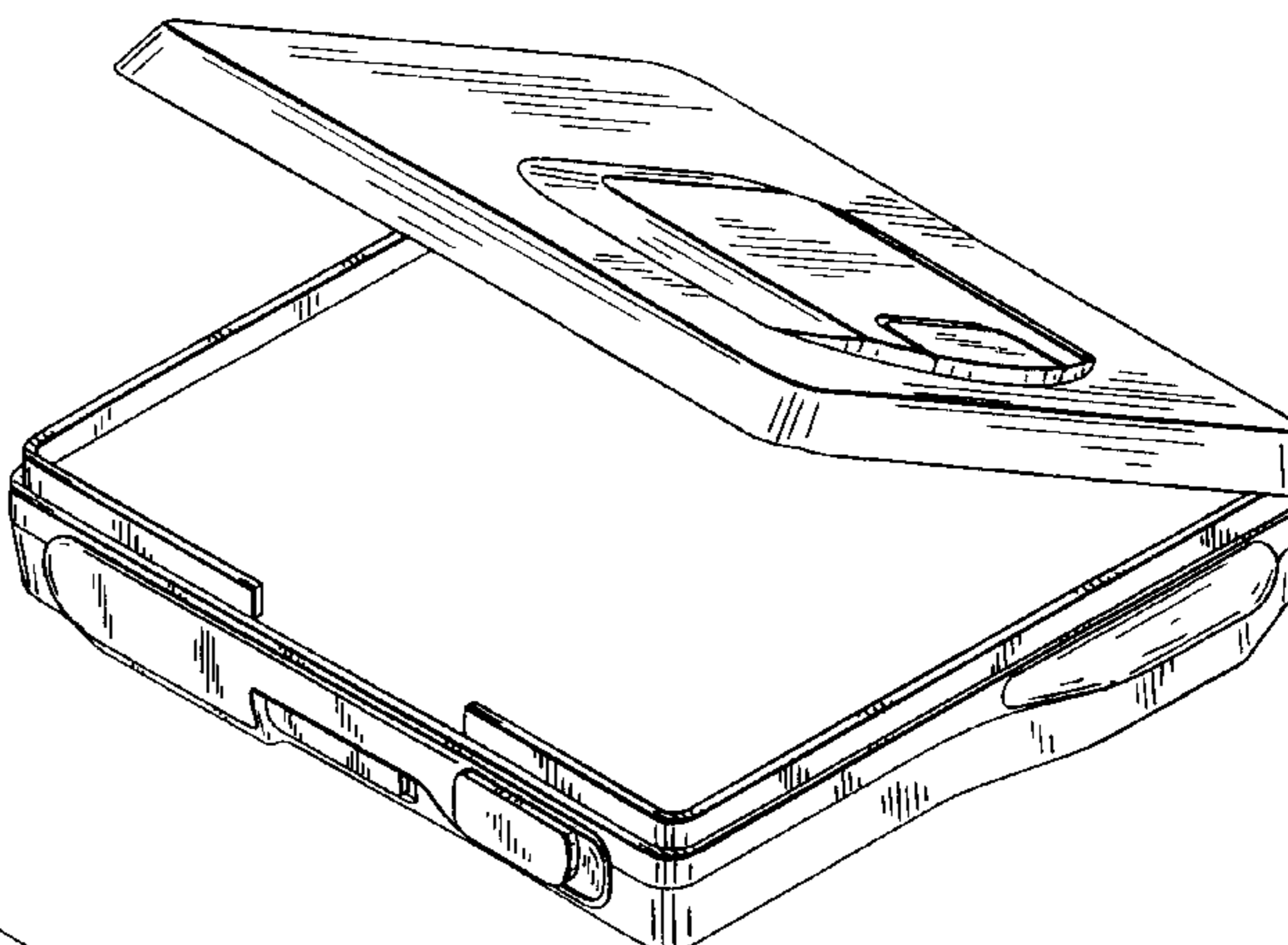
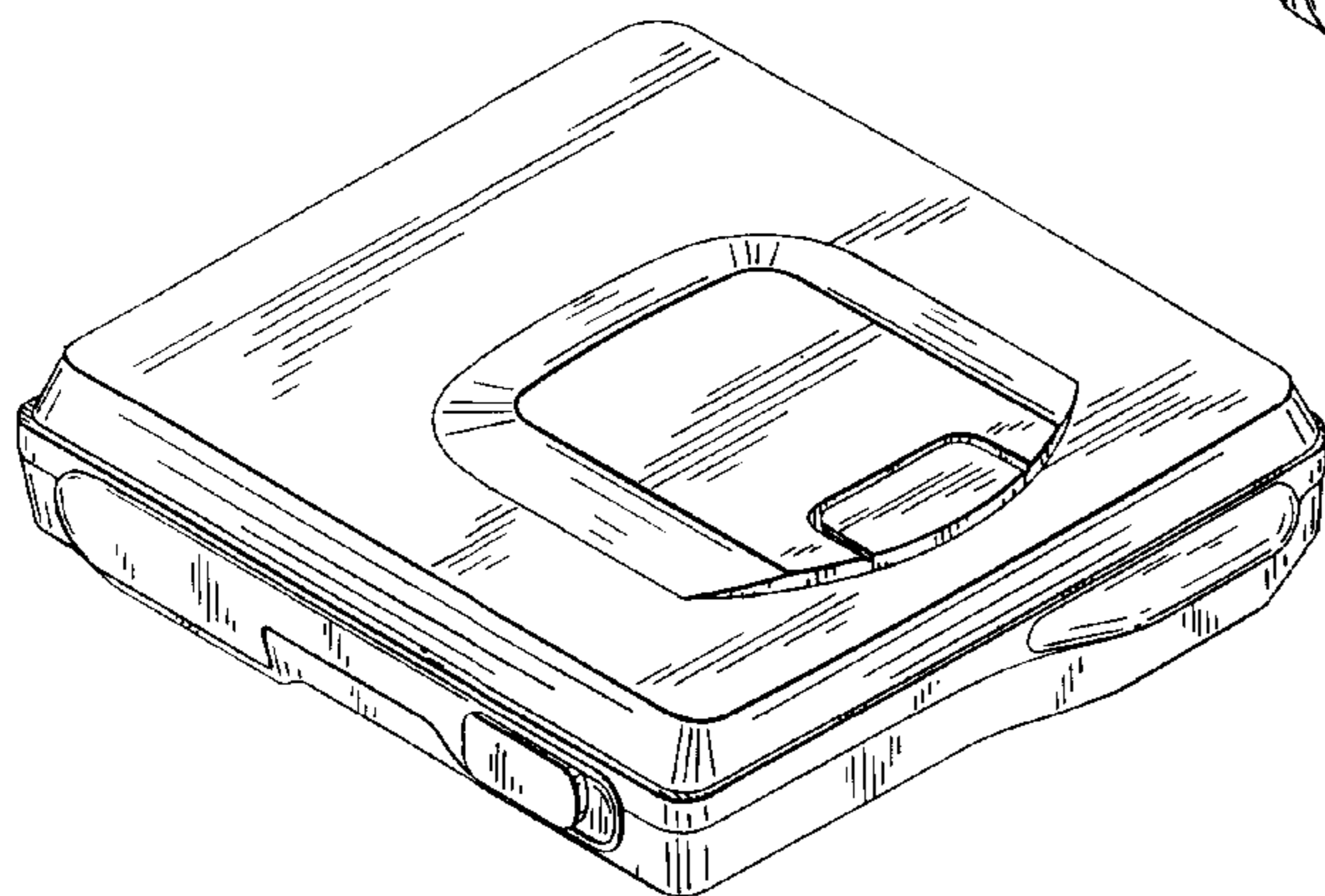


FIG. 2

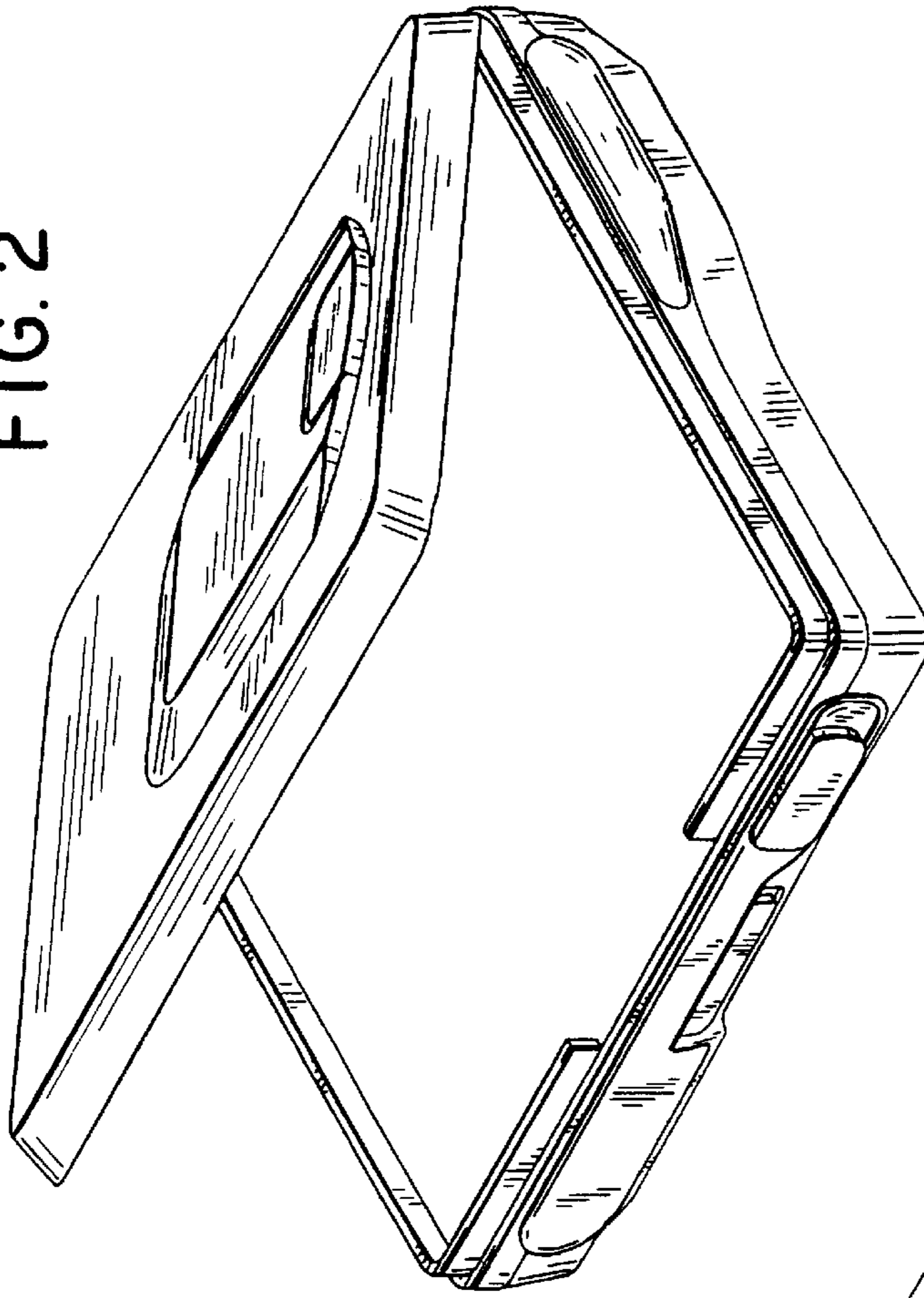


FIG. 1

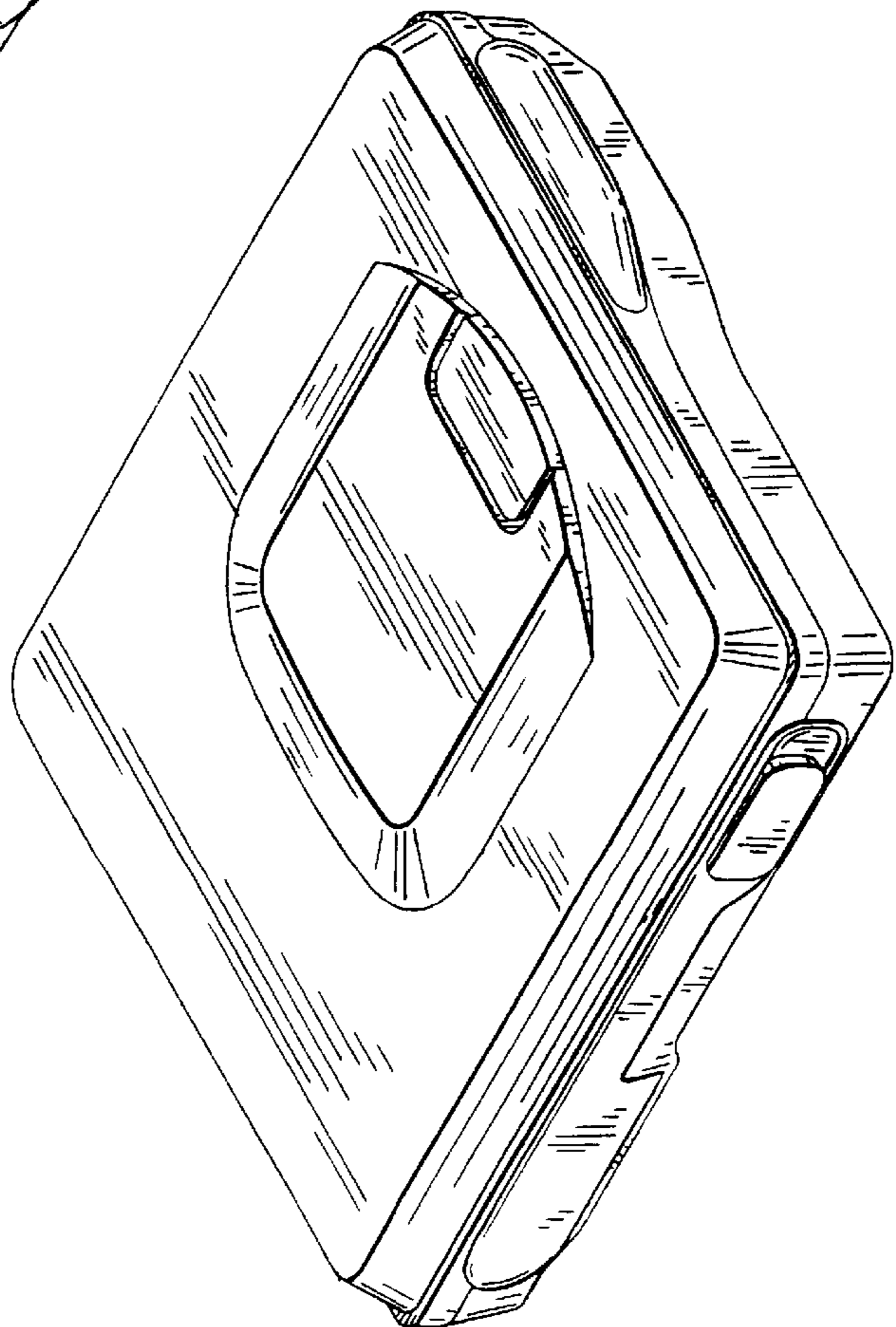


FIG. 3

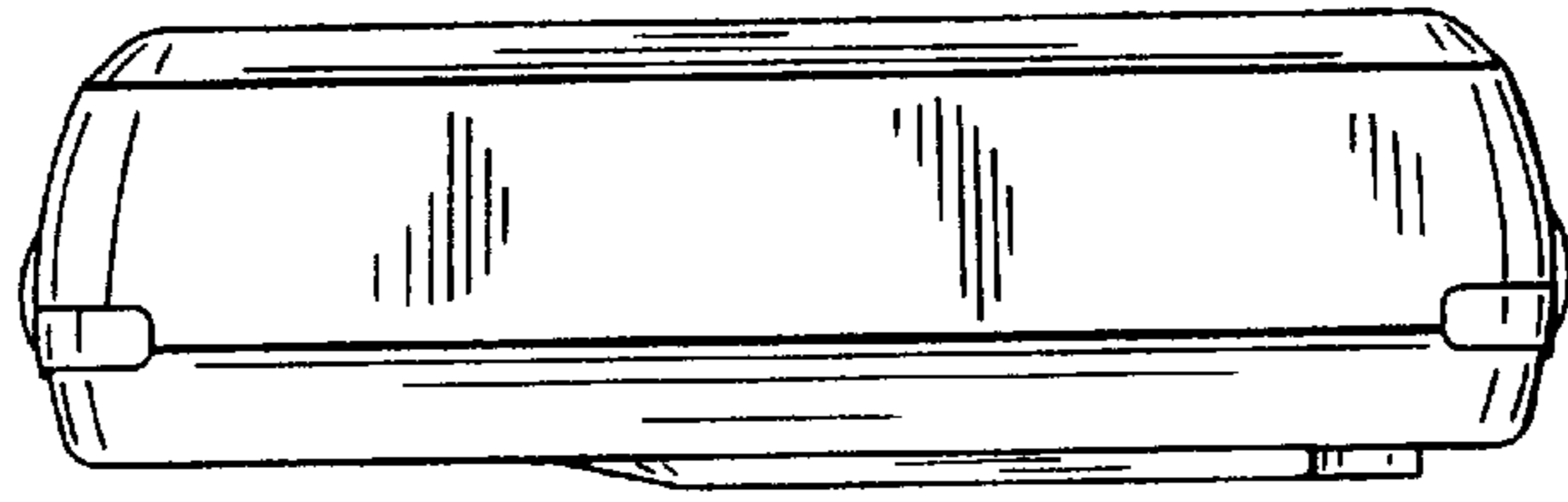


FIG. 4

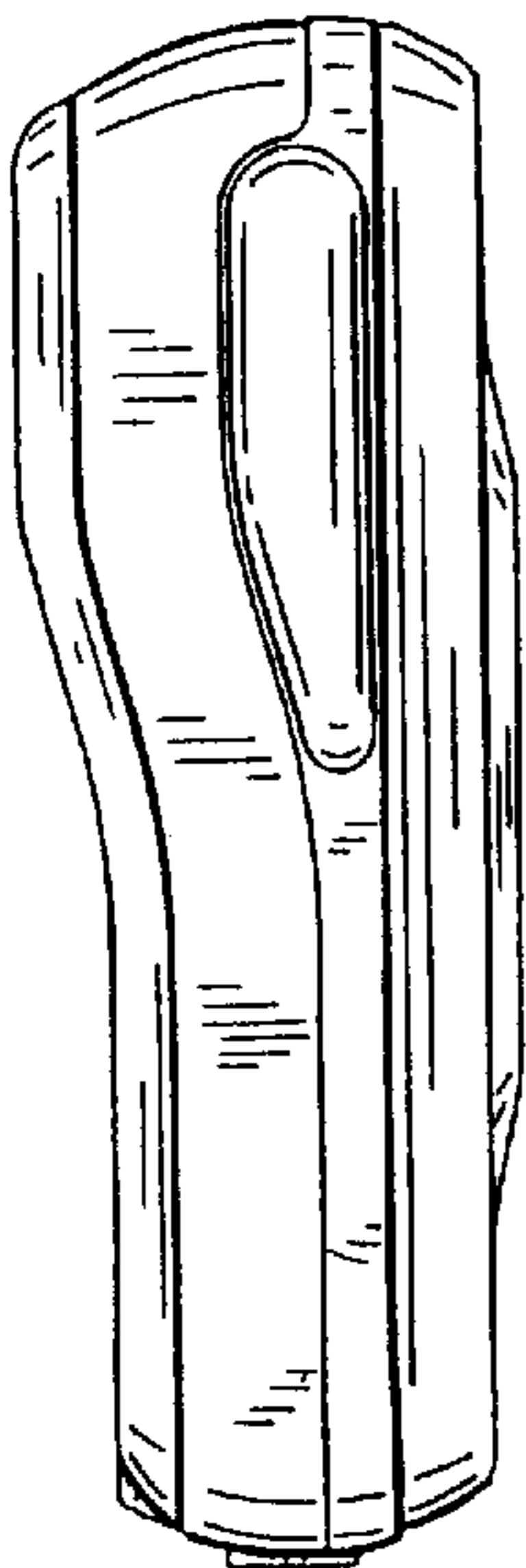


FIG. 5

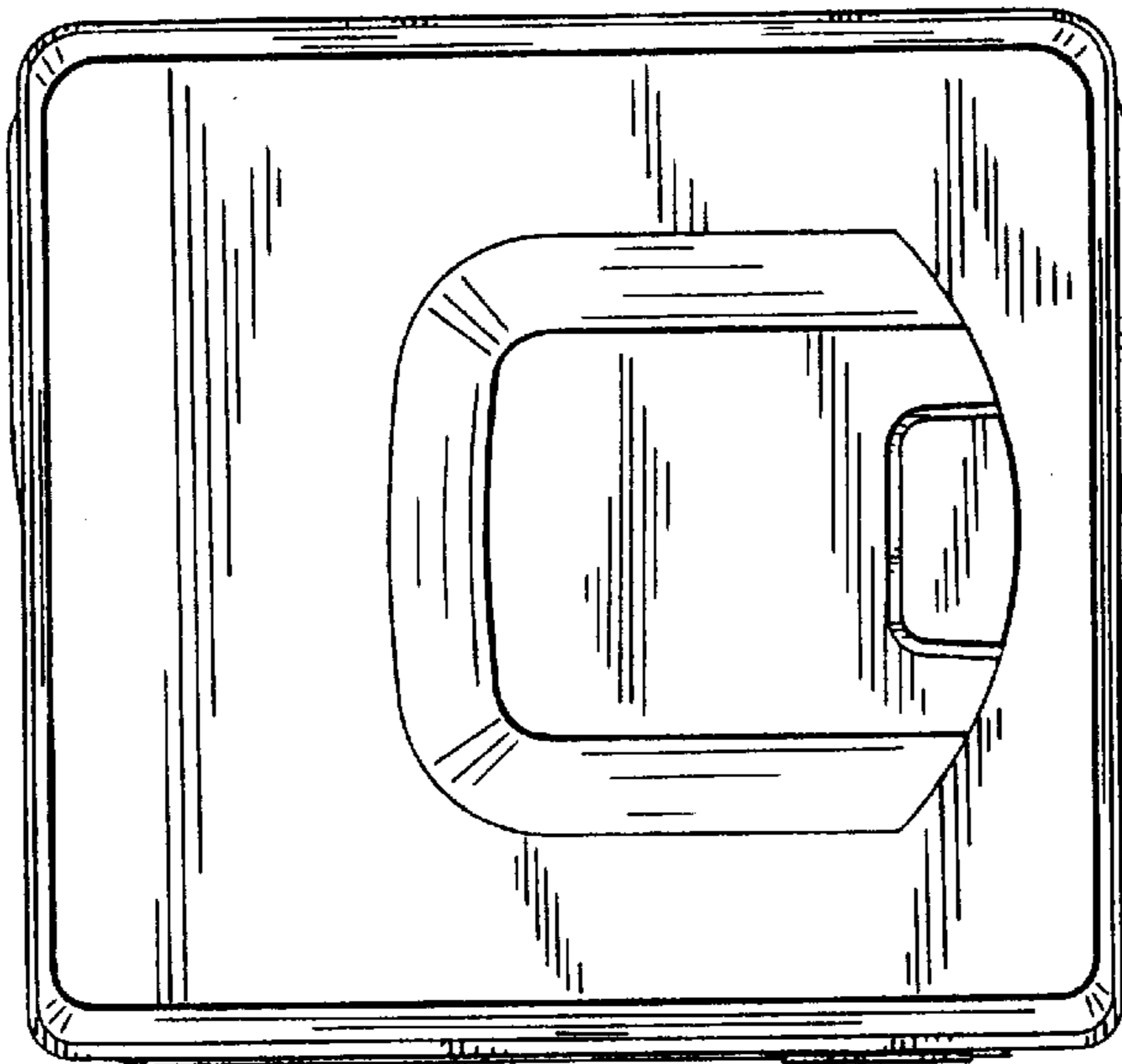


FIG. 7

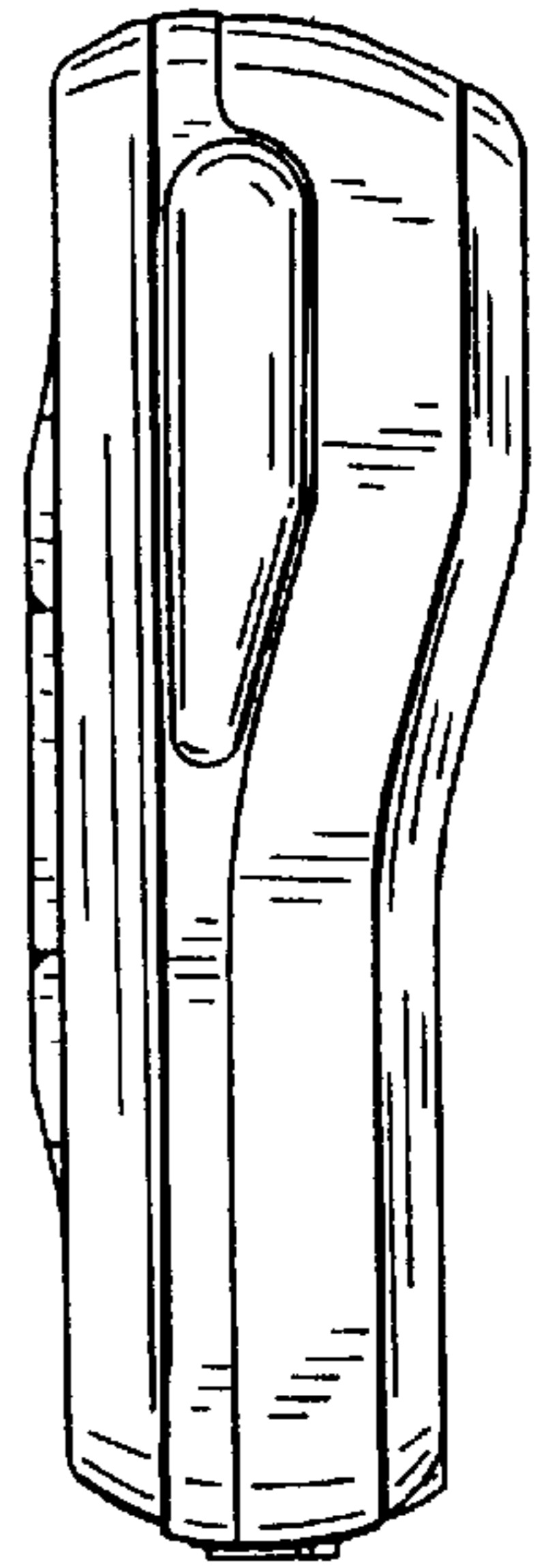


FIG. 6

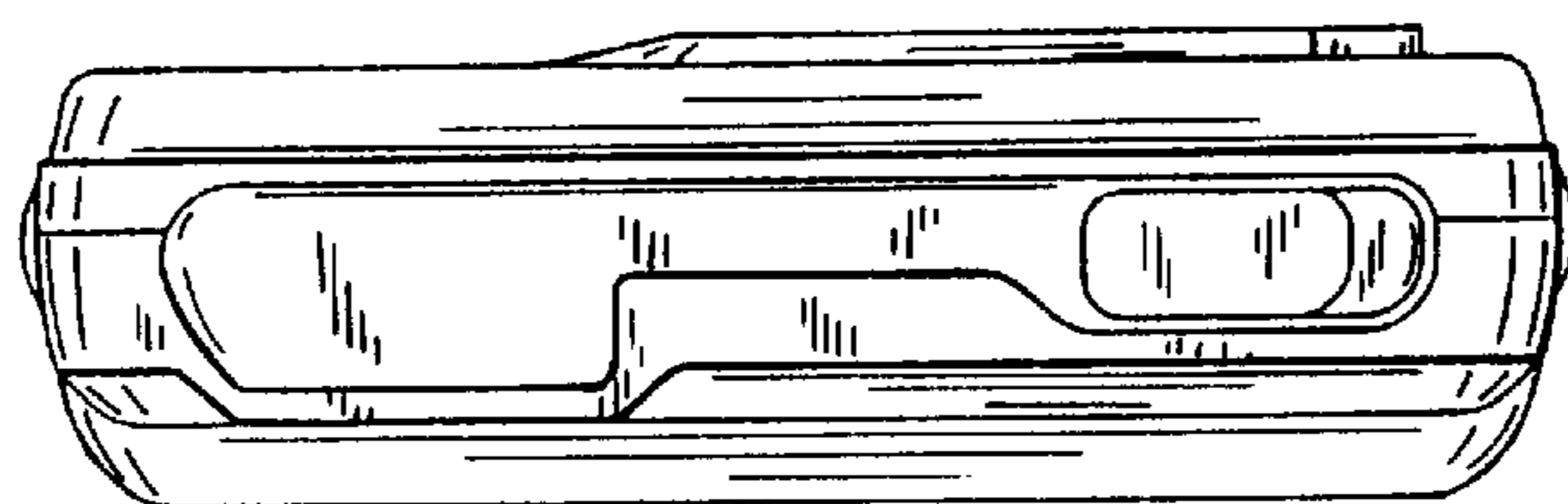


FIG. 8

