



US00D400524S

# United States Patent [19]

Takami et al.

[11] **Patent Number:** **Des. 400,524**

[45] **Date of Patent:** **\*\*Nov. 3, 1998**

[54] **TELEVISION RECEIVER**

[75] Inventors: **Mitsuru Takami; Muneyuki Nagai,**  
both of Osaka, Japan

[73] Assignee: **Matsushita Electric Industrial Co.,**  
**Ltd.,** Japan

[\*\*] Term: **14 Years**

[21] Appl. No.: **80,420**

[22] Filed: **Dec. 9, 1997**

[30] **Foreign Application Priority Data**

Jun. 12, 1997 [JP] Japan ..... 9-57841

[51] **LOC (6) Cl.** ..... **14-03**

[52] **U.S. Cl.** ..... **D14/126**

[58] **Field of Search** ..... D14/113, 124-134;  
312/7.2; 348/836, 838

[56] **References Cited**

**U.S. PATENT DOCUMENTS**

D. 342,503 12/1993 Kitashima et al. .... D14/126

D. 359,731 6/1995 Higashibata et al. .... D14/126  
D. 378,752 4/1997 Asanuma ..... D14/126  
D. 384,342 9/1997 Maeno et al. .... D14/126

*Primary Examiner*—Sandra L. Morris  
*Assistant Examiner*—Richelle Shelton  
*Attorney, Agent, or Firm*—Saidman DesignLaw Group

[57] **CLAIM**

The ornamental design for a television receiver, as shown and described.

**DESCRIPTION**

FIG. 1 is a perspective view of the top, front and right side of a television receiver showing our new design; FIG. 2 is a front elevational view thereof; FIG. 3 is a top plan view thereof; FIG. 4 is a bottom view thereof; FIG. 5 is a right side view thereof; FIG. 6 is a left side view thereof; FIG. 7 is a rear elevational view thereof; and, FIG. 8 is a front view similar to FIG. 2 with the lid in open condition thereof.

**1 Claim, 4 Drawing Sheets**

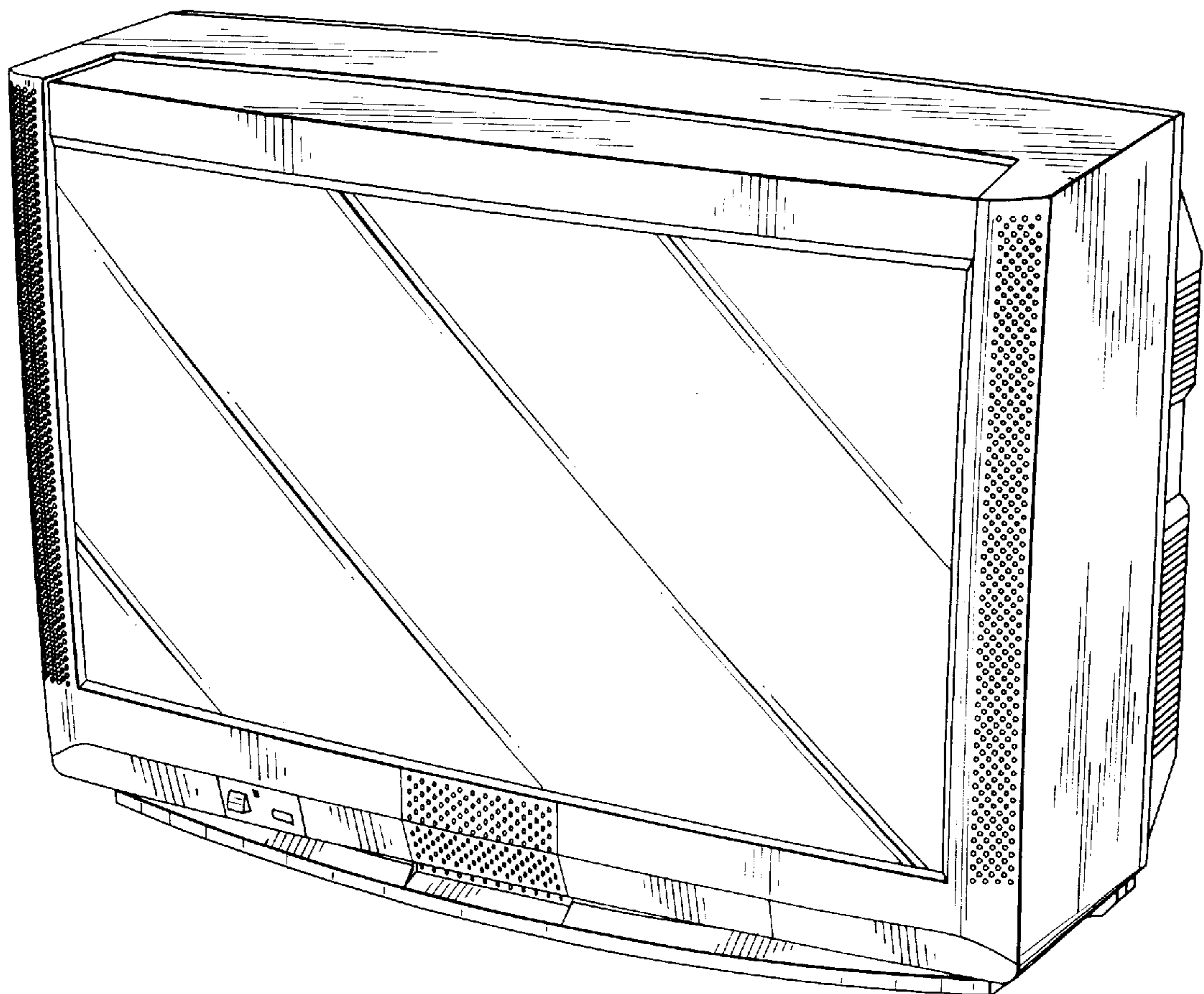


FIG. 1

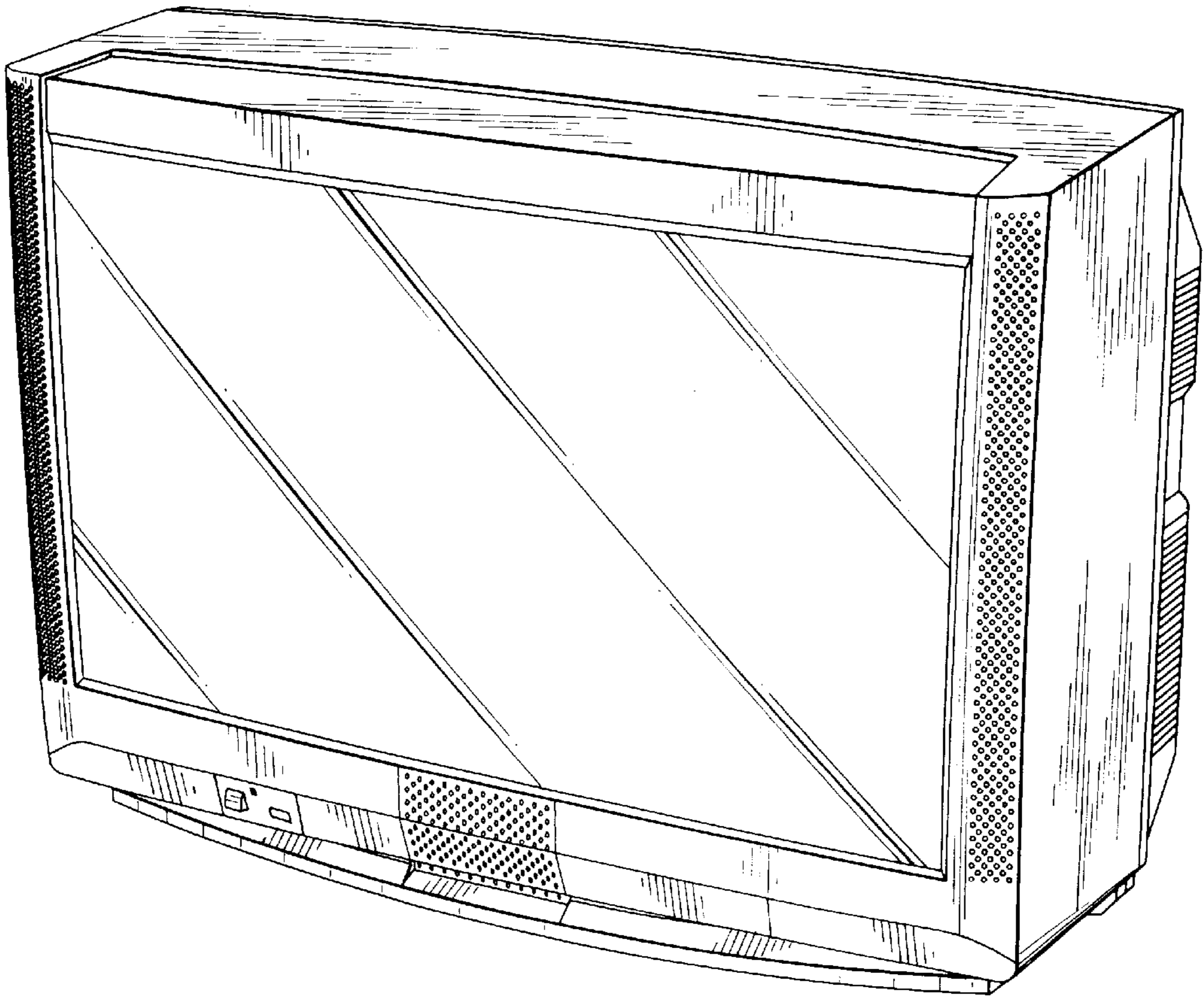
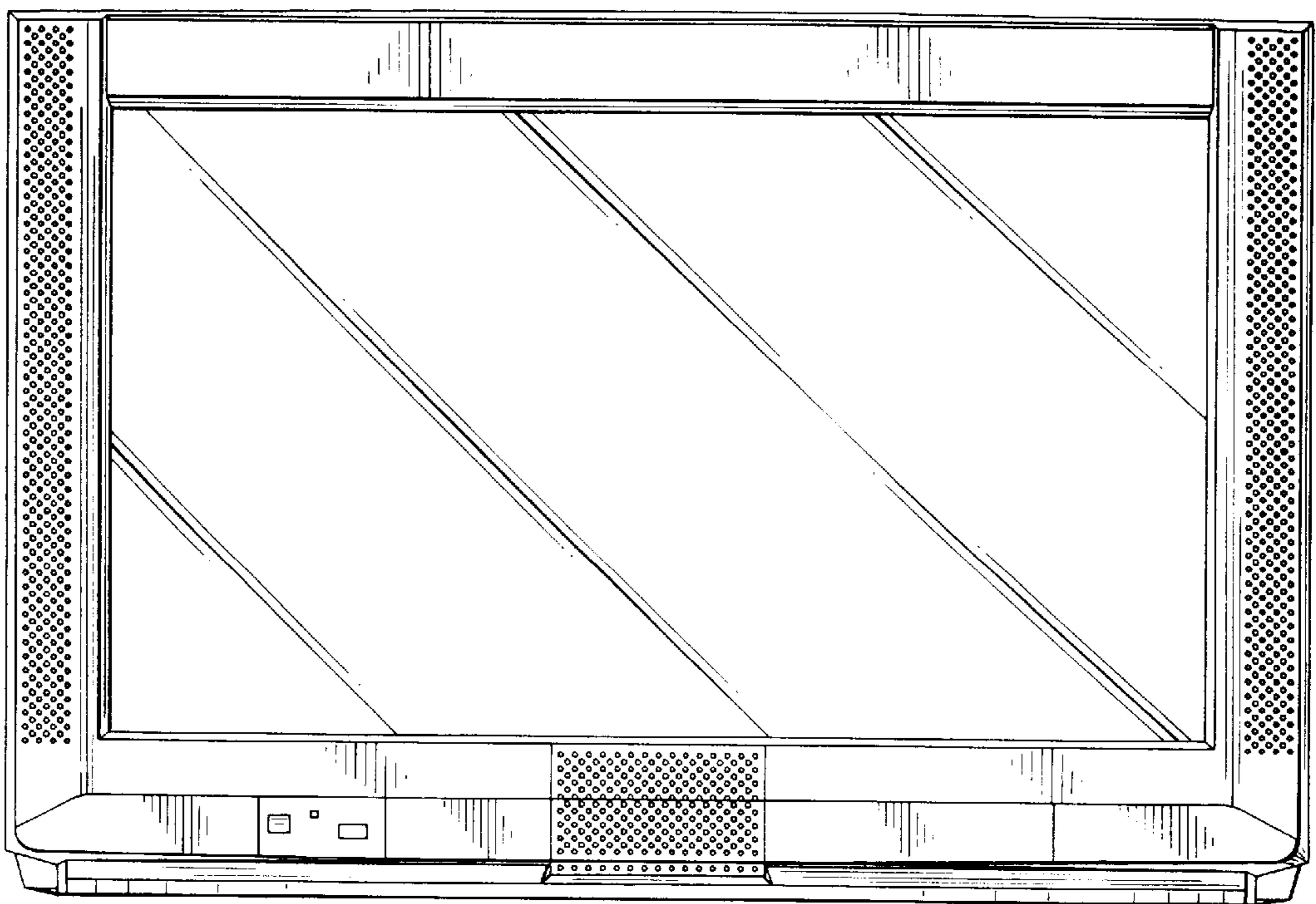
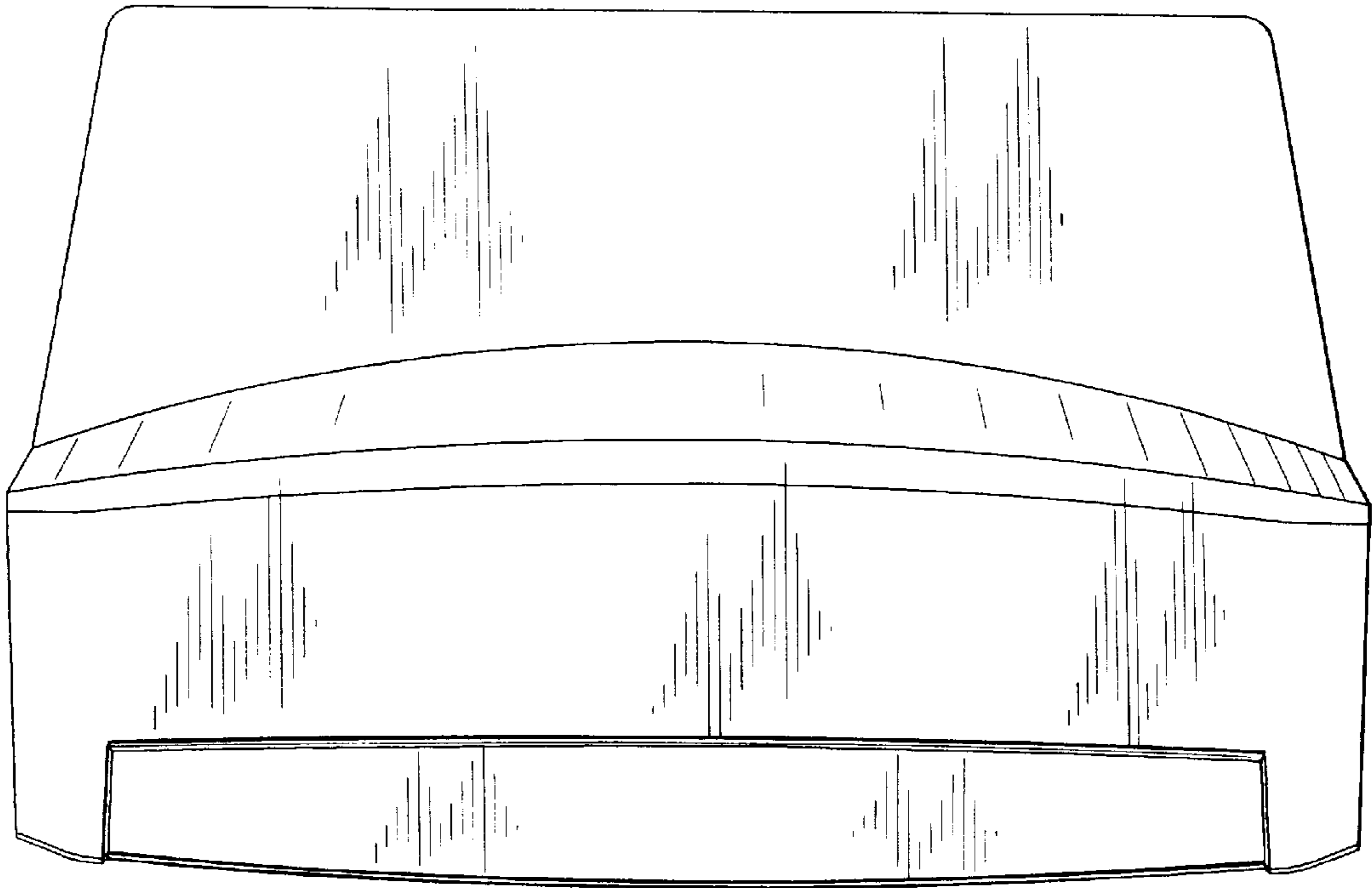


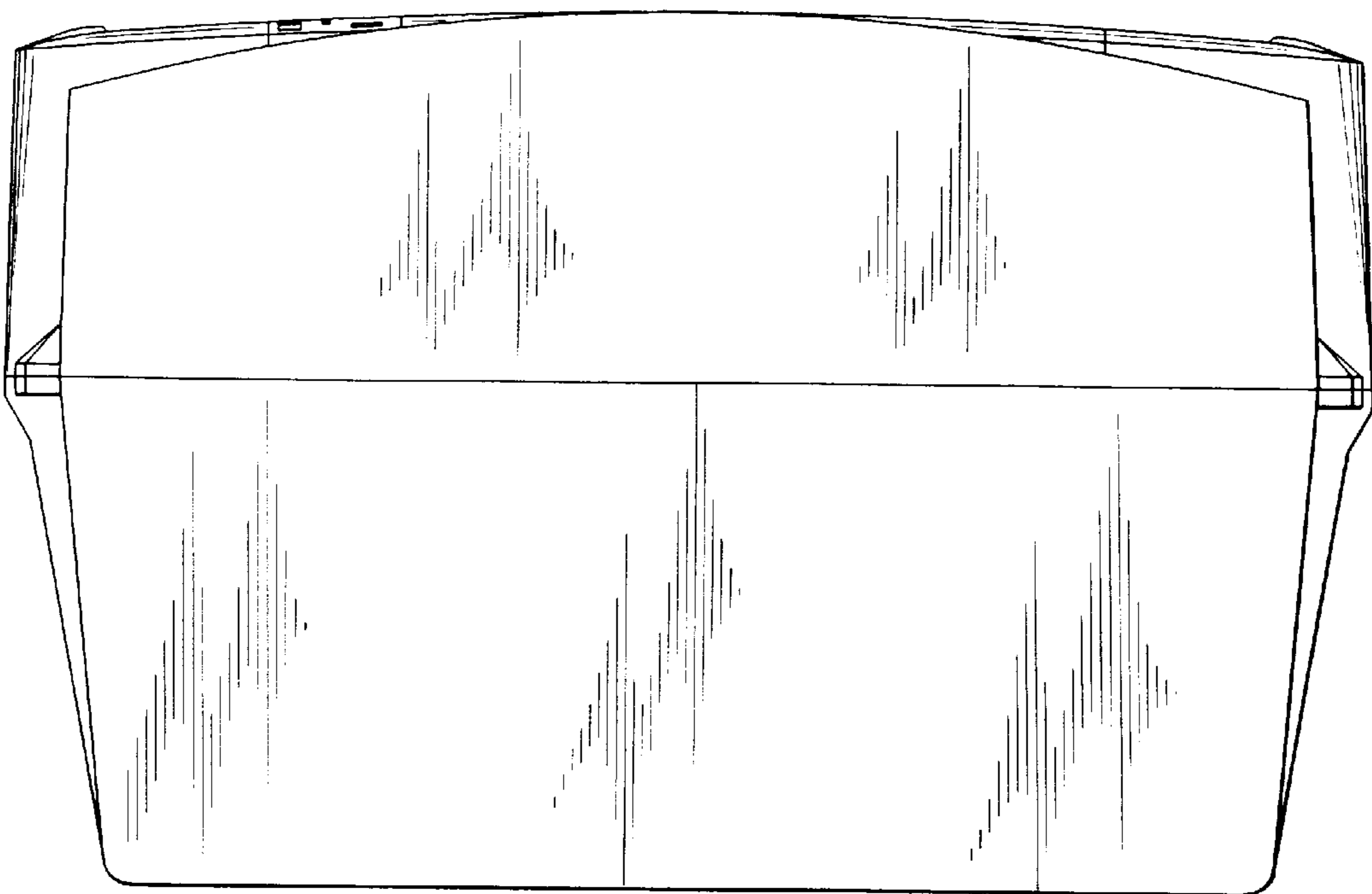
FIG. 2



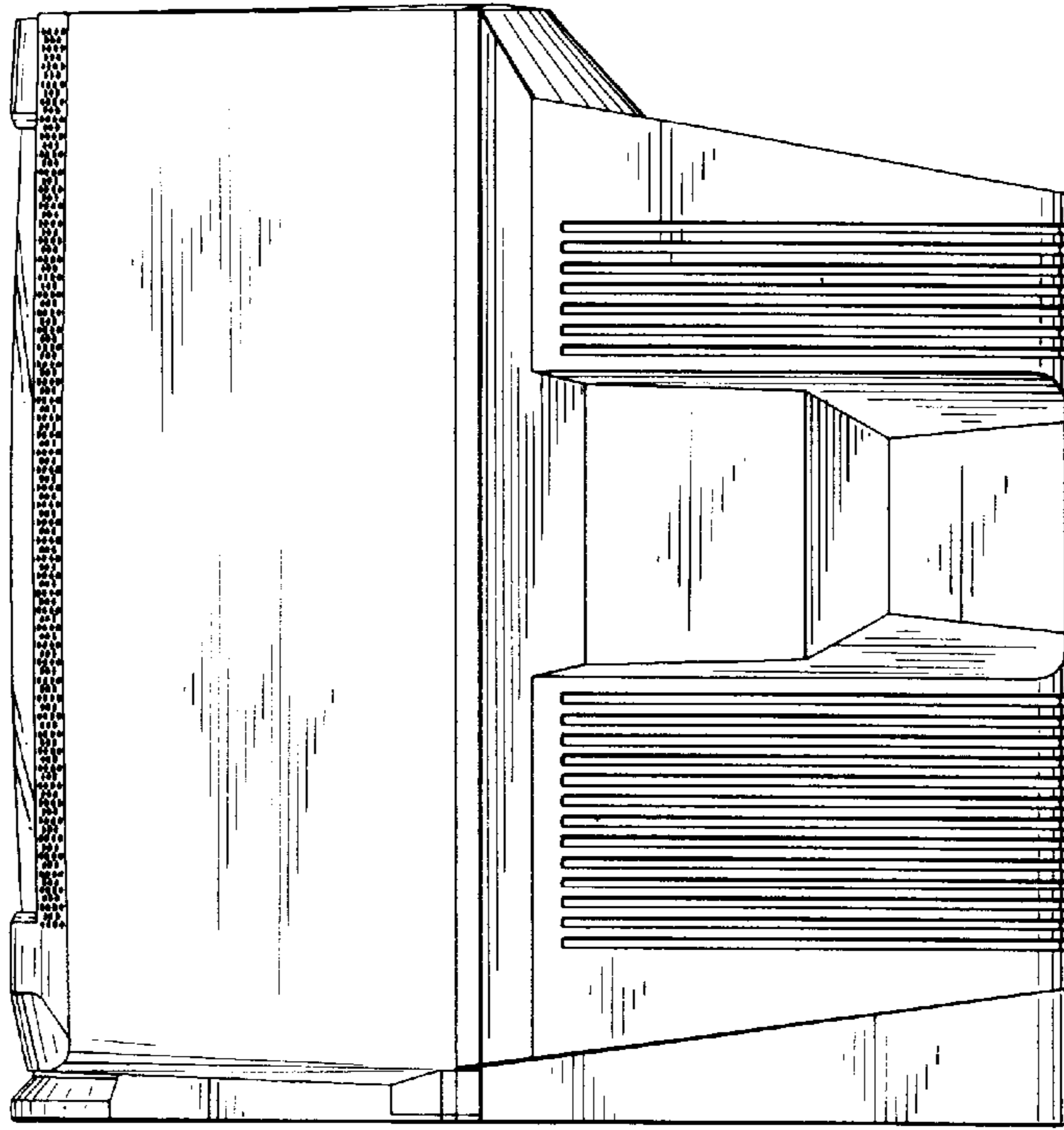
*FIG. 3*



*FIG. 4*



*FIG. 5*



*FIG. 6*

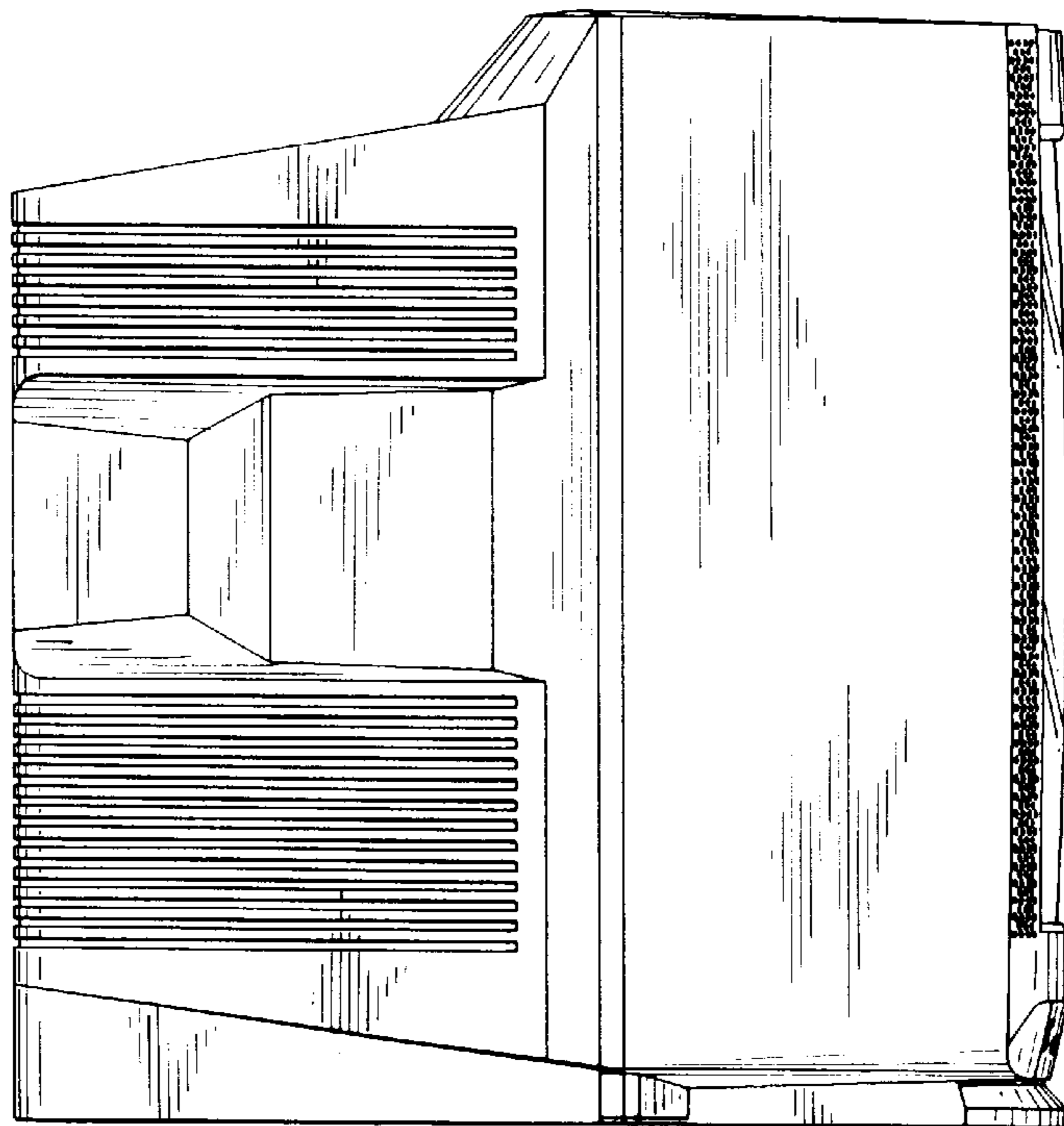


FIG. 7

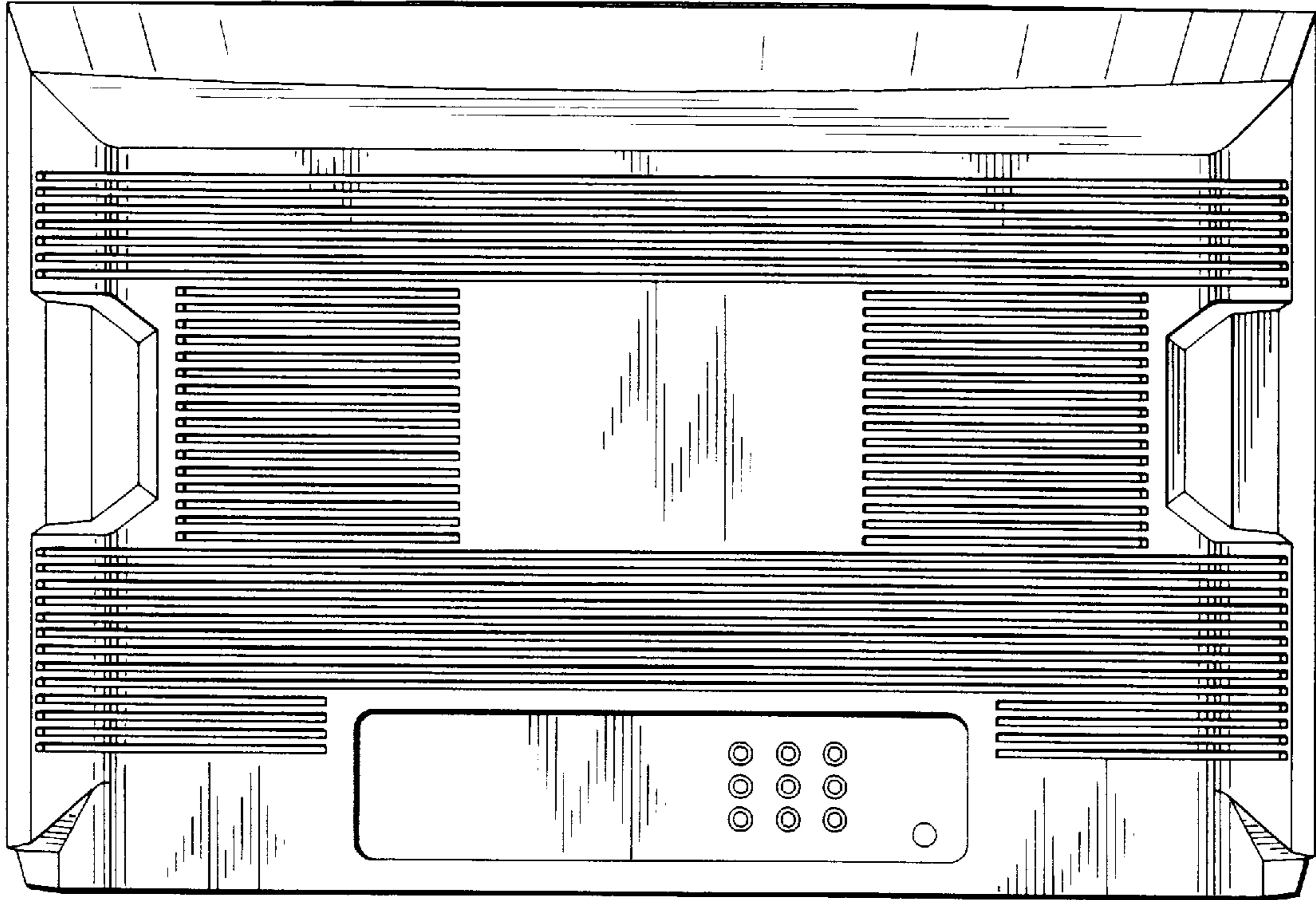


FIG. 8

