



US00D400515S

**United States Patent** [19]  
**Shima**

[11] **Patent Number: Des. 400,515**

[45] **Date of Patent: \*\*Nov. 3, 1998**

[54] **PORT REPLICATOR FOR A NOTEBOOK COMPUTER**

*Attorney, Agent, or Firm*—Daniel E. McConnell; George E. Grosser

[75] Inventor: **Hisashi Shima**, Yamato, Japan

[57] **CLAIM**

[73] Assignee: **International Business Machines Corp.**, Armonk, N.Y.

I claim the ornamental design for a port replicator for a notebook computer, as shown and described.

[\*\*] Term: **14 Years**

**DESCRIPTION**

[21] Appl. No.: **58,405**

[22] Filed: **Aug. 14, 1996**

[30] **Foreign Application Priority Data**

May 20, 1996 [JP] Japan ..... 8-14645

[51] **LOC (6) Cl.** ..... **14-02**

[52] **U.S. Cl.** ..... **D14/107**

[58] **Field of Search** ..... D14/100, 107,  
D14/114; D13/184, 199; 361/683-686;  
364/708.1; 439/95, 248

FIG. 1 is a perspective view from above and the right of the port replicator for a notebook computer of my invention; FIG. 2 is a perspective view from the rear and above of the port replicator for a notebook computer of FIG. 1; FIG. 3 is a view similar to FIG. 1 wherein a notebook computer system is shown in broken lines for illustrative purposes only and forms no part of the claimed design; FIG. 4 is a front elevation view of the port replicator of FIGS. 1 and 2 on an enlarged scale; FIG. 5 is a rear elevation view of the port replicator of FIGS. 1, 2 and 4; FIG. 6 is a side elevation view from the left of the port replicator of FIGS. 1, 2, 4 and 5; FIG. 7 is a plan view from above of the port replicator of FIGS. 1, 2, 4, 5 and 6; FIG. 8 is a plan view from below of the port replicator of FIGS. 1, 2, 4, 5, 6 and 7; and , FIG. 9 is a side elevation view from the right of the port replicator of FIGS. 1, 2, 3, 4, 5, 6, 7 and 8.

[56] **References Cited**

**U.S. PATENT DOCUMENTS**

- D. 359,034 6/1995 Kondo ..... D14/107
- D. 361,758 8/1995 Youens et al. .... D14/107
- D. 366,470 1/1996 Youens et al. .... D14/107

*Primary Examiner*—Freda Nunn

**1 Claim, 6 Drawing Sheets**

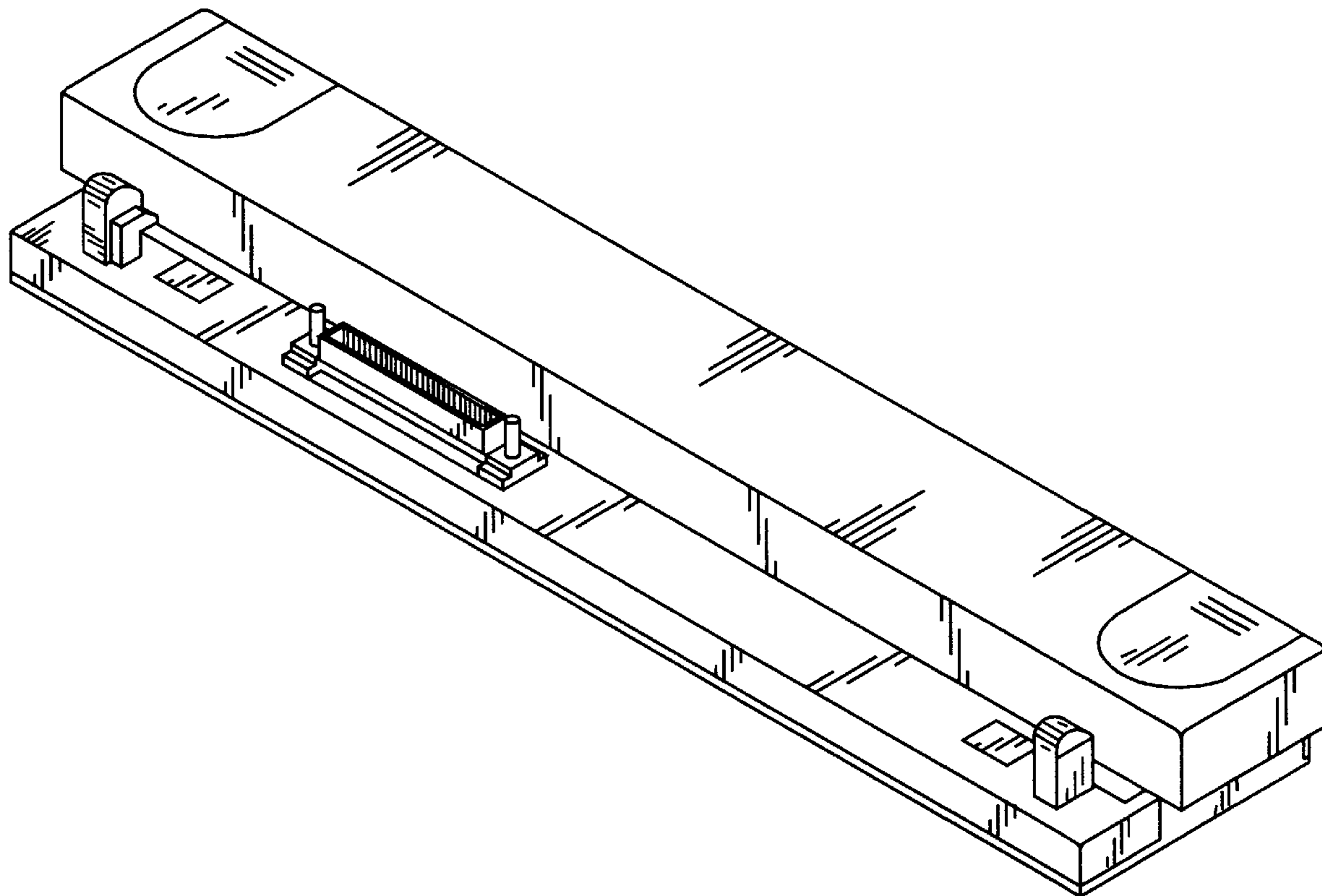


FIG. 1

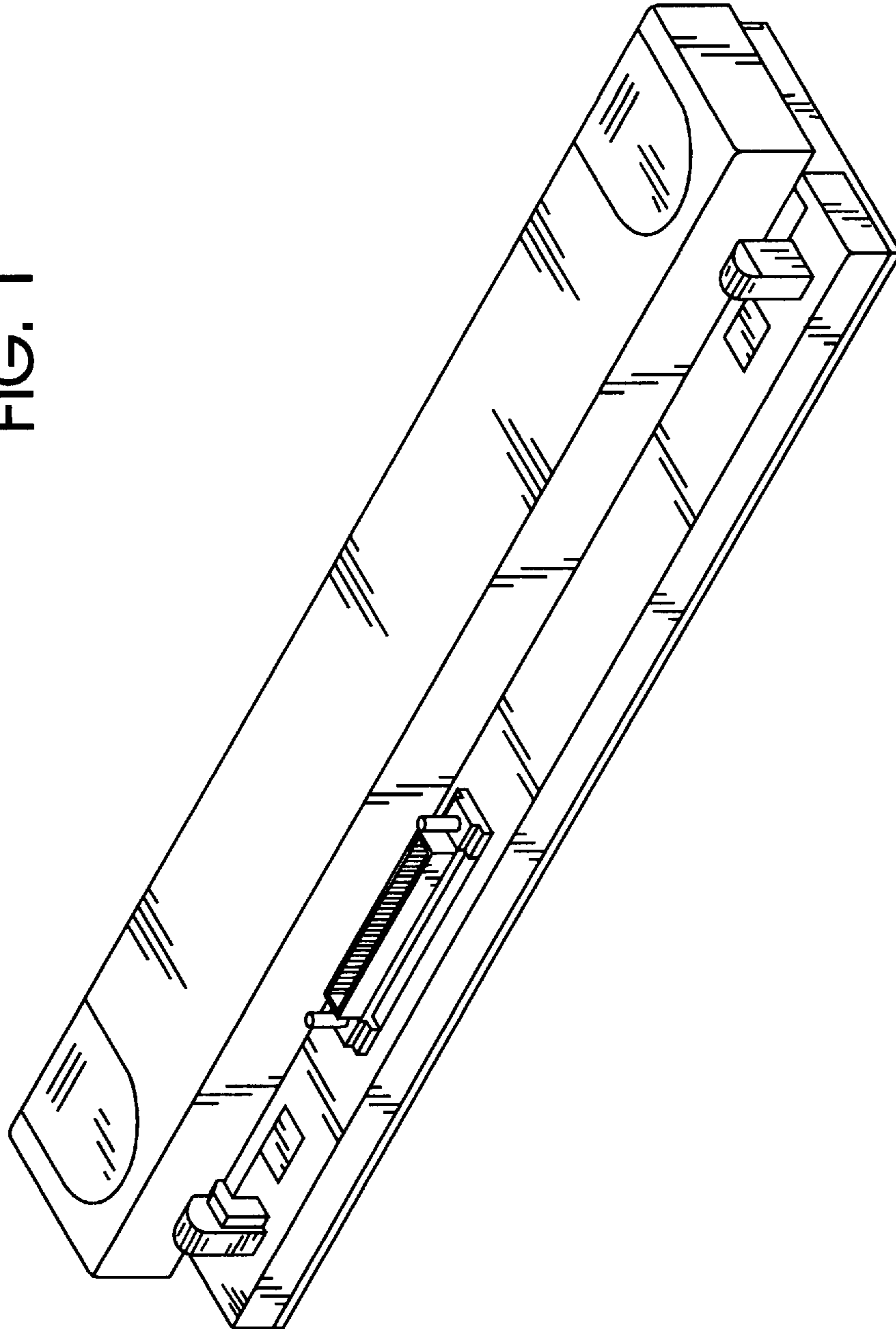


FIG. 2

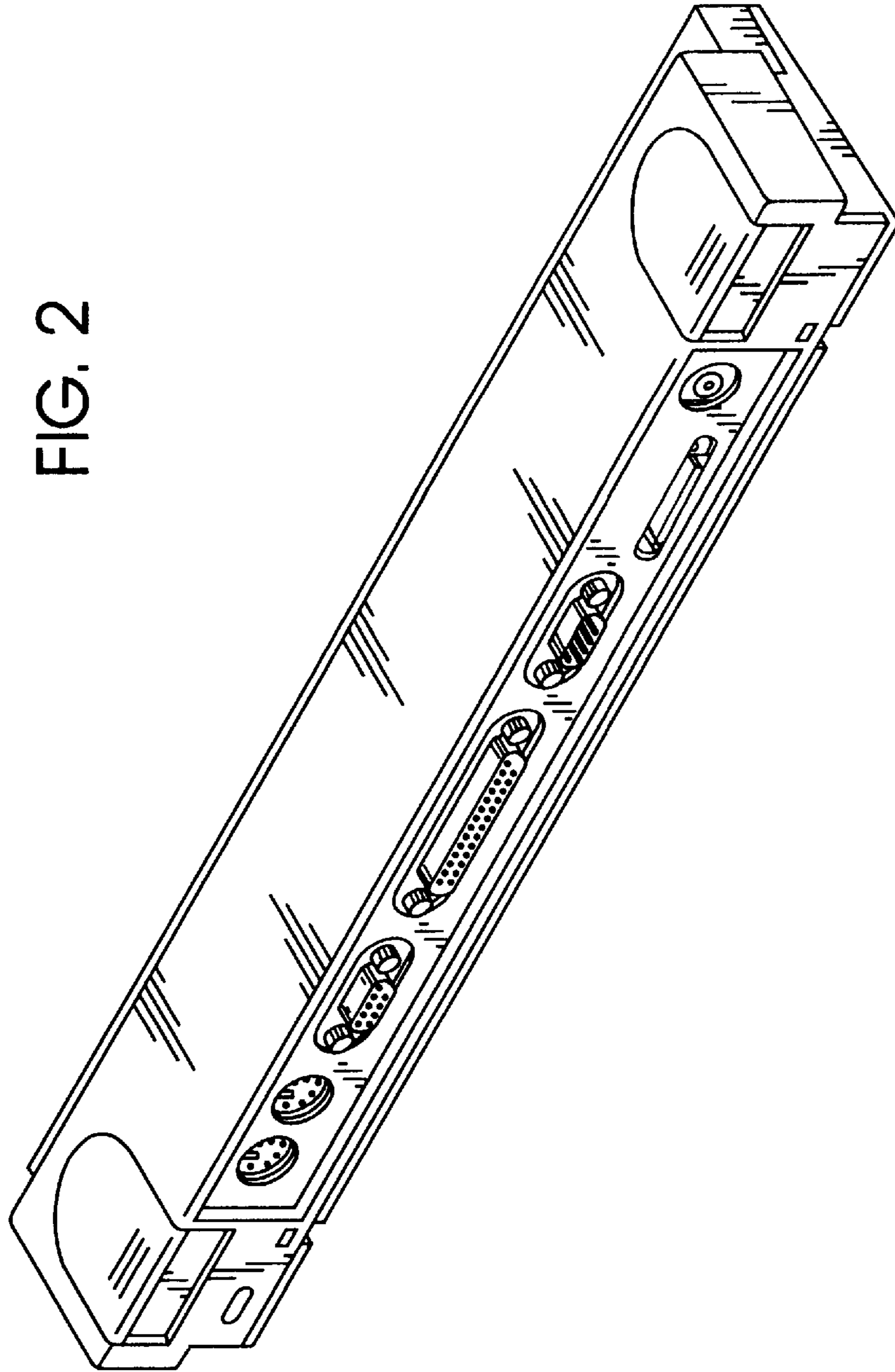


FIG. 3

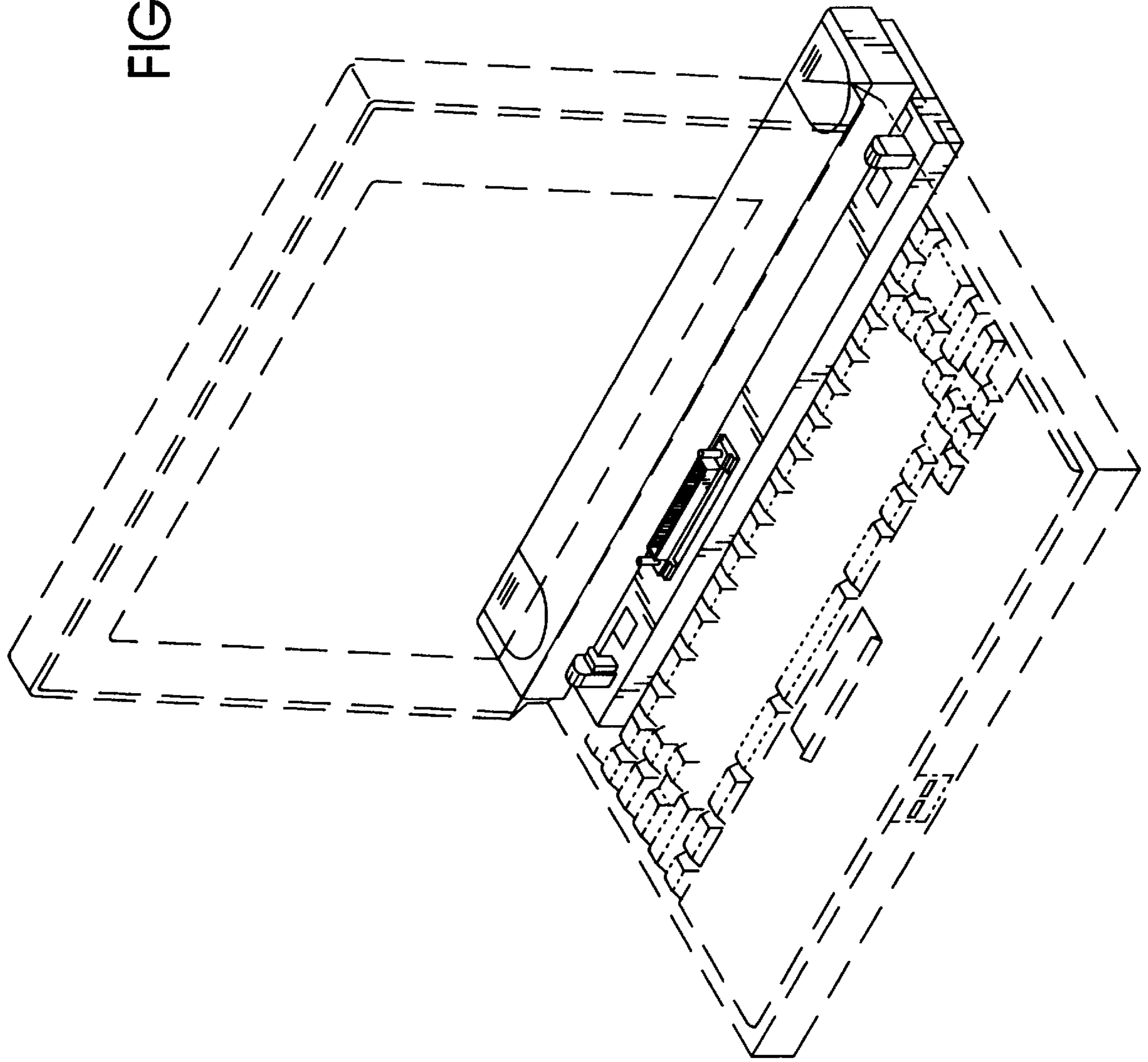


FIG. 4

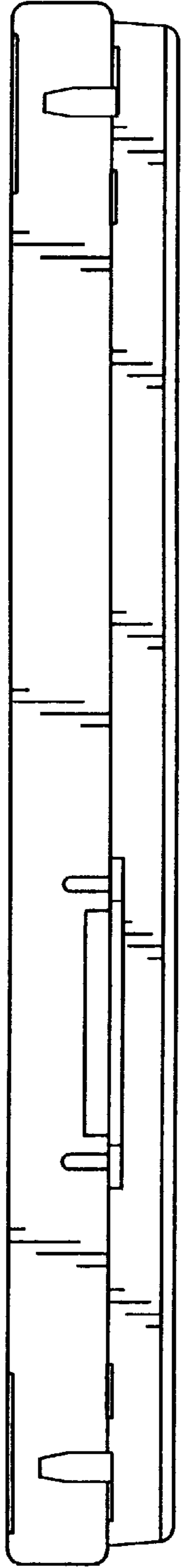


FIG. 5

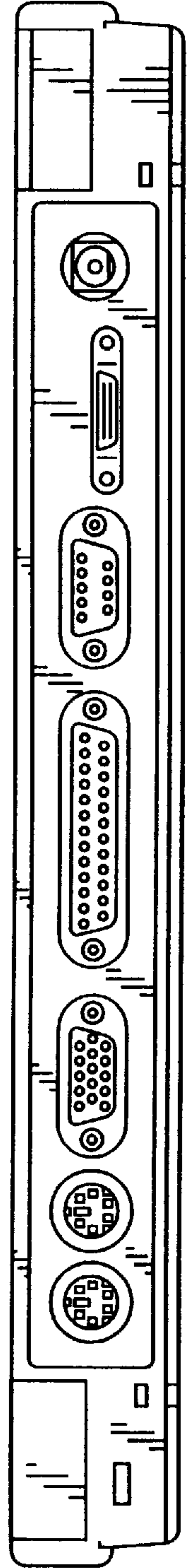


FIG. 6

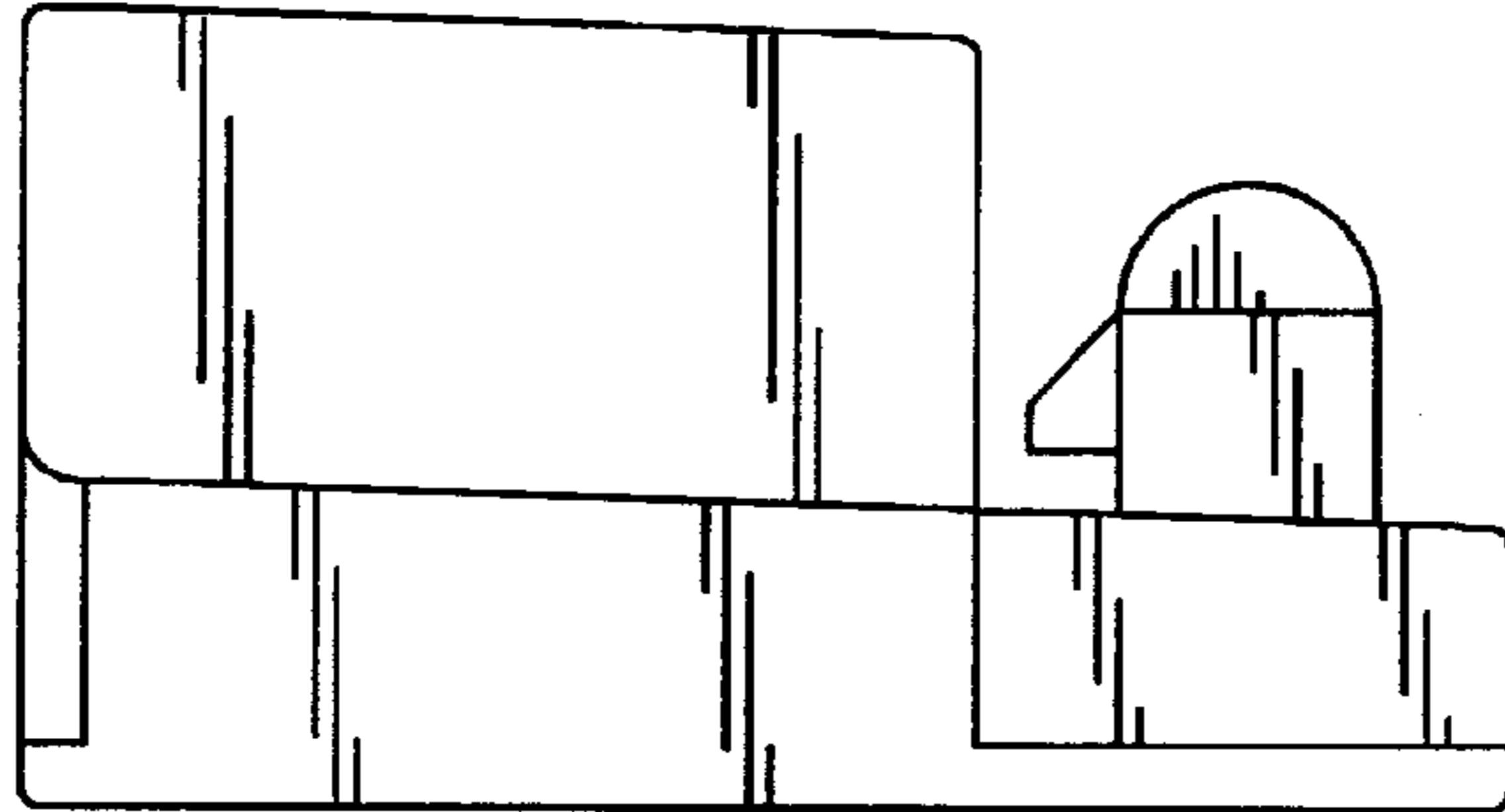


FIG. 9

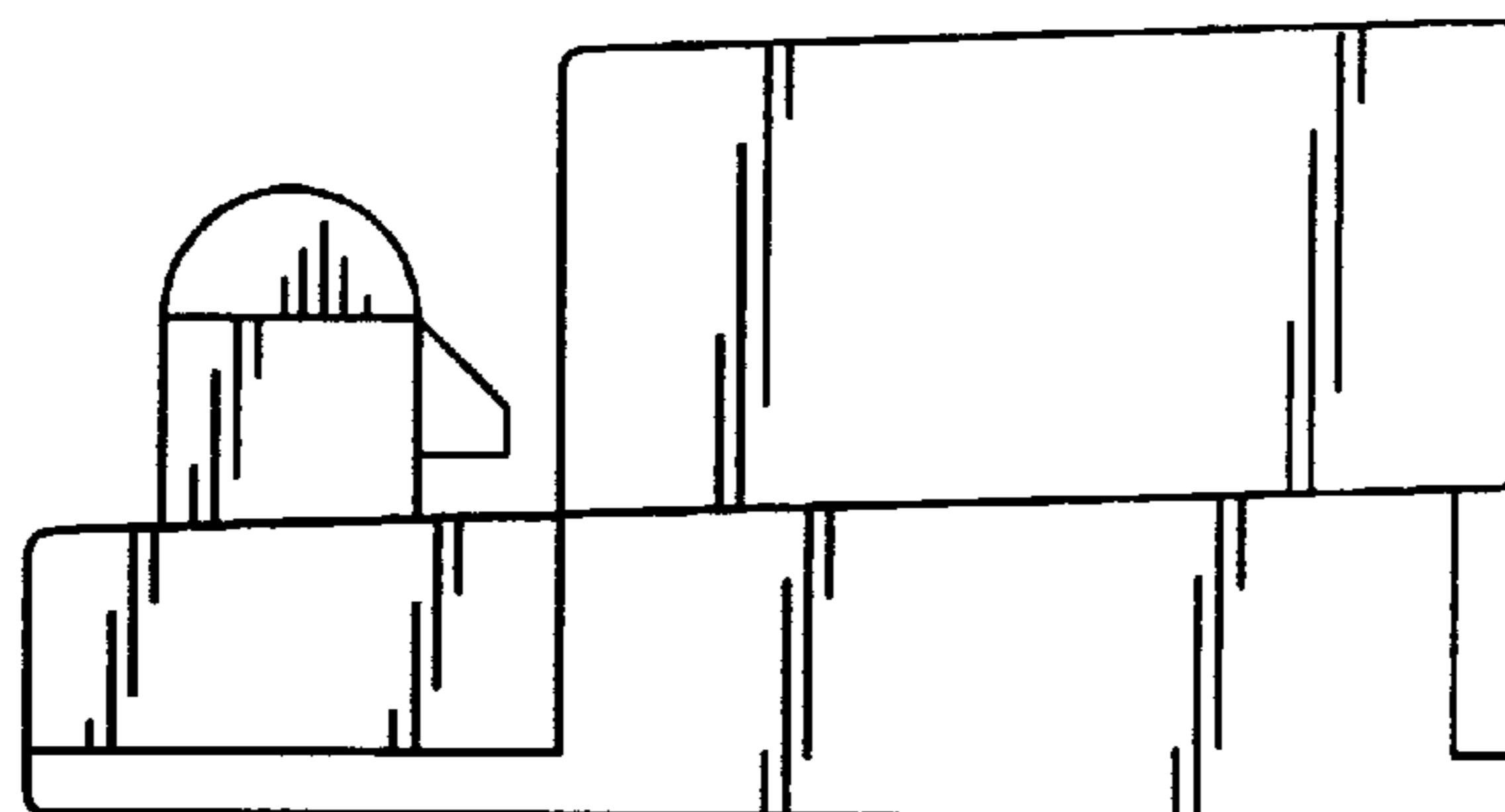


FIG. 7

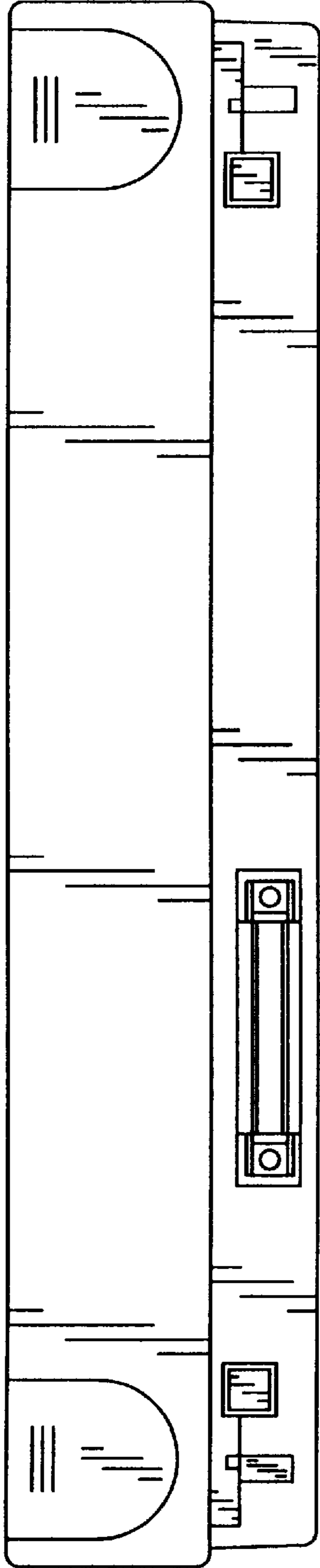


FIG. 8

