



US00D400513S

United States Patent [19] Seiriö

[11] Patent Number: **Des. 400,513**

[45] Date of Patent: ****Nov. 3, 1998**

[54] ENCLOSURE FOR ELECTRONIC AND ELECTRIC COMPONENTS

[75] Inventor: **Jari Seiriö**, Masala, Finland

[73] Assignee: **Fibox Oy AB**, Jorvas, Finland

[**] Term: **14 Years**

[21] Appl. No.: **53,763**

[22] Filed: **Apr. 30, 1996**

[30] Foreign Application Priority Data

Nov. 2, 1995 [FI] Finland 741/95

[51] LOC (6) Cl. **13-03**

[52] U.S. Cl. **D13/184**

[58] Field of Search D13/162, 184;
174/50, 50.52, 52.1; 220/3.8; 361/679,
686, 687, 730, 733, 752

[56] References Cited

U.S. PATENT DOCUMENTS

D. 315,144 3/1991 Dard et al. D13/162
4,712,157 12/1987 Simonson et al. 361/676 X
5,317,462 5/1994 Kakizaki et al. D13/184 X
5,347,088 9/1994 Marsh et al. 174/50
5,549,487 8/1996 Nortier 439/521

FOREIGN PATENT DOCUMENTS

5458 6/1981 Finland .
437/95 6/1995 Finland .
438/95 6/1995 Finland .
440/95 6/1995 Finland .
2179501 3/1987 United Kingdom 174/50

Primary Examiner—B. J. Bullock
Assistant Examiner—Cathron B. Matta
Attorney, Agent, or Firm—Finnegan, Henderson, Farabow,
Garrett & Dunner

[57] CLAIM

The ornamental design for an enclosure for electronic and electric components, as shown and described.

DESCRIPTION

FIG. 1 is a perspective front view of an enclosure for electronic and electric components showing my new design; FIG. 2 is a perspective rear view thereof; FIG. 3 is a rear view thereof; FIG. 4 is a front view thereof; FIG. 5 is a side view thereof, the opposite side view being a mirror image; and, FIG. 6 is a top view thereof, the bottom view being a mirror image.

1 Claim, 2 Drawing Sheets

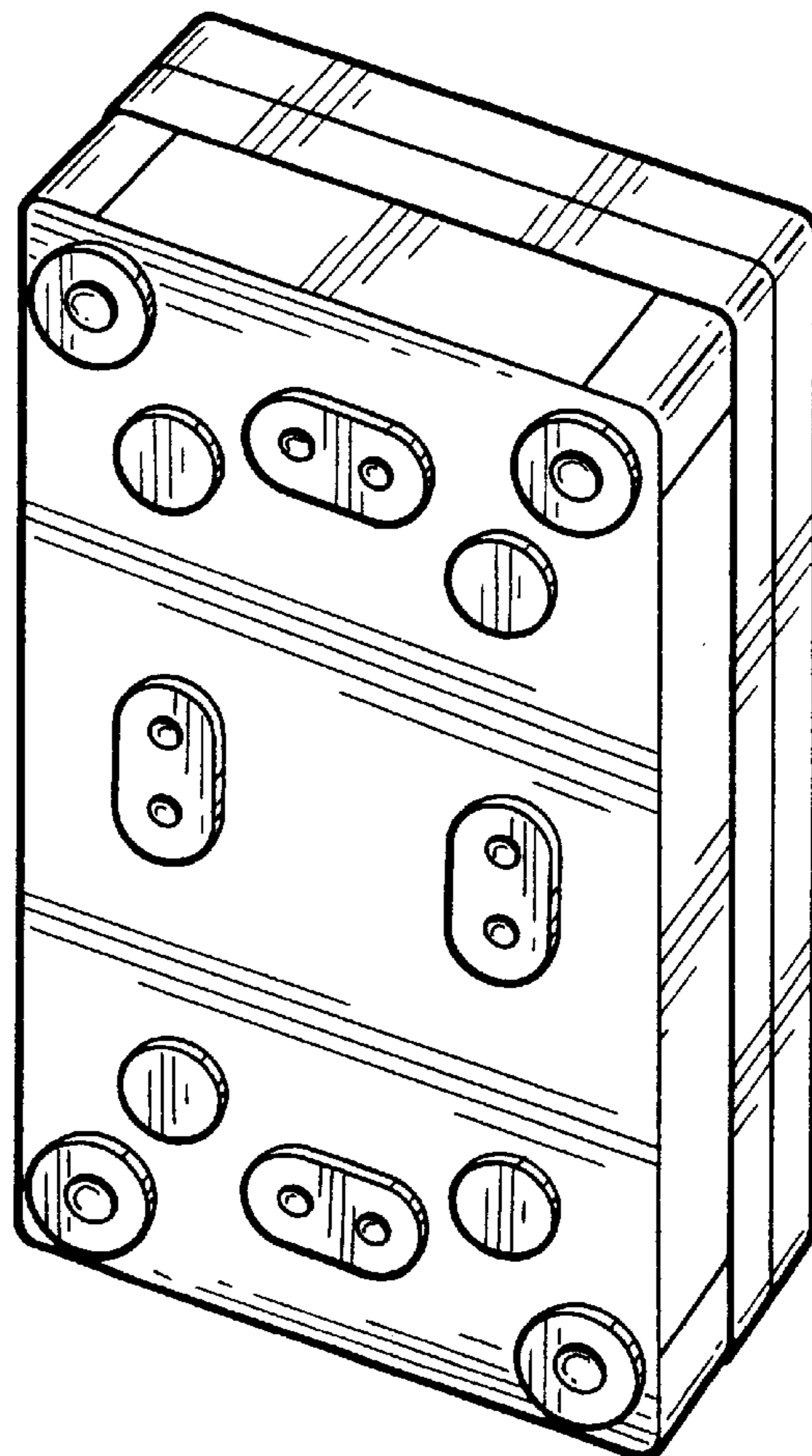
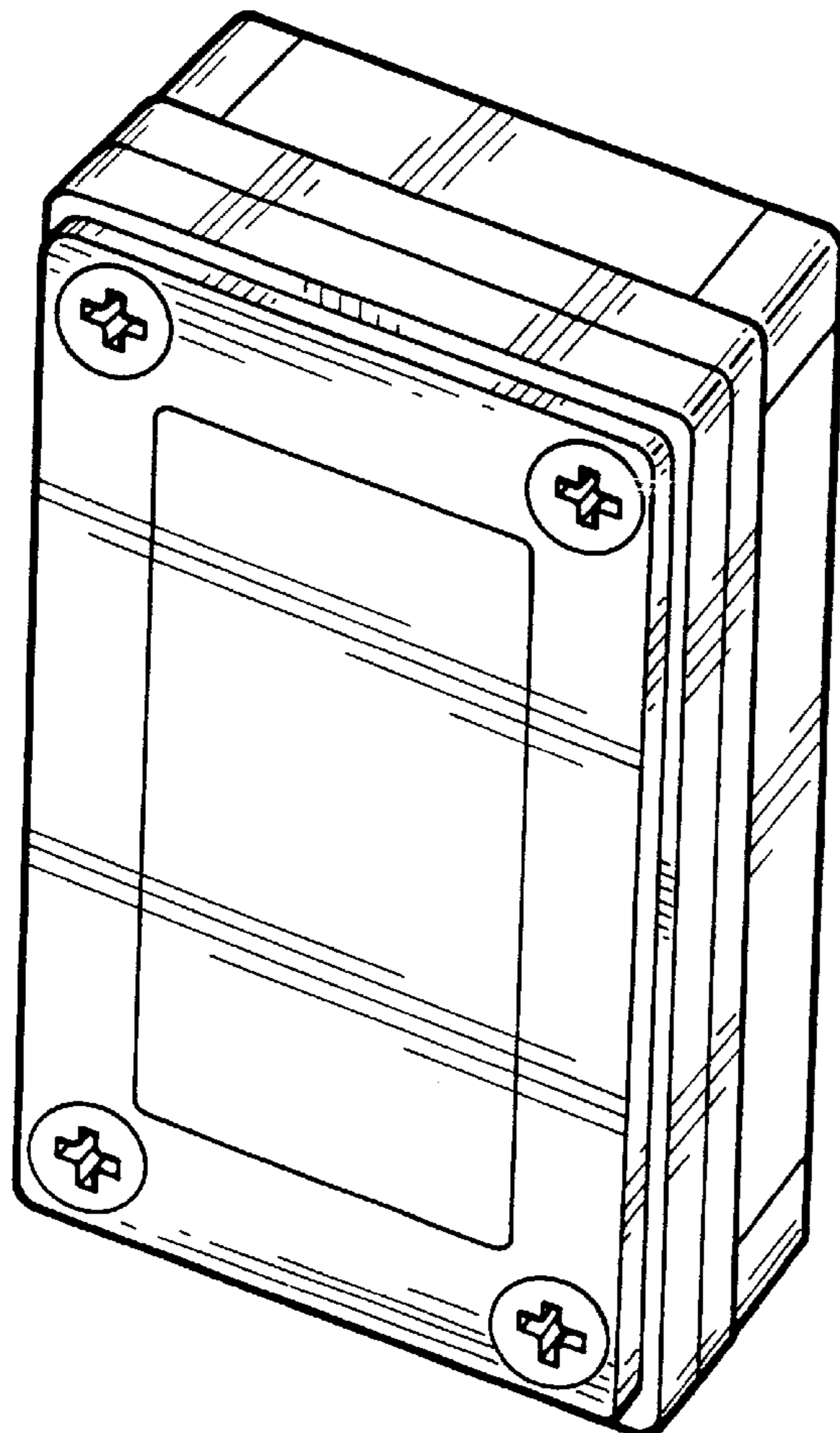


FIG. 1

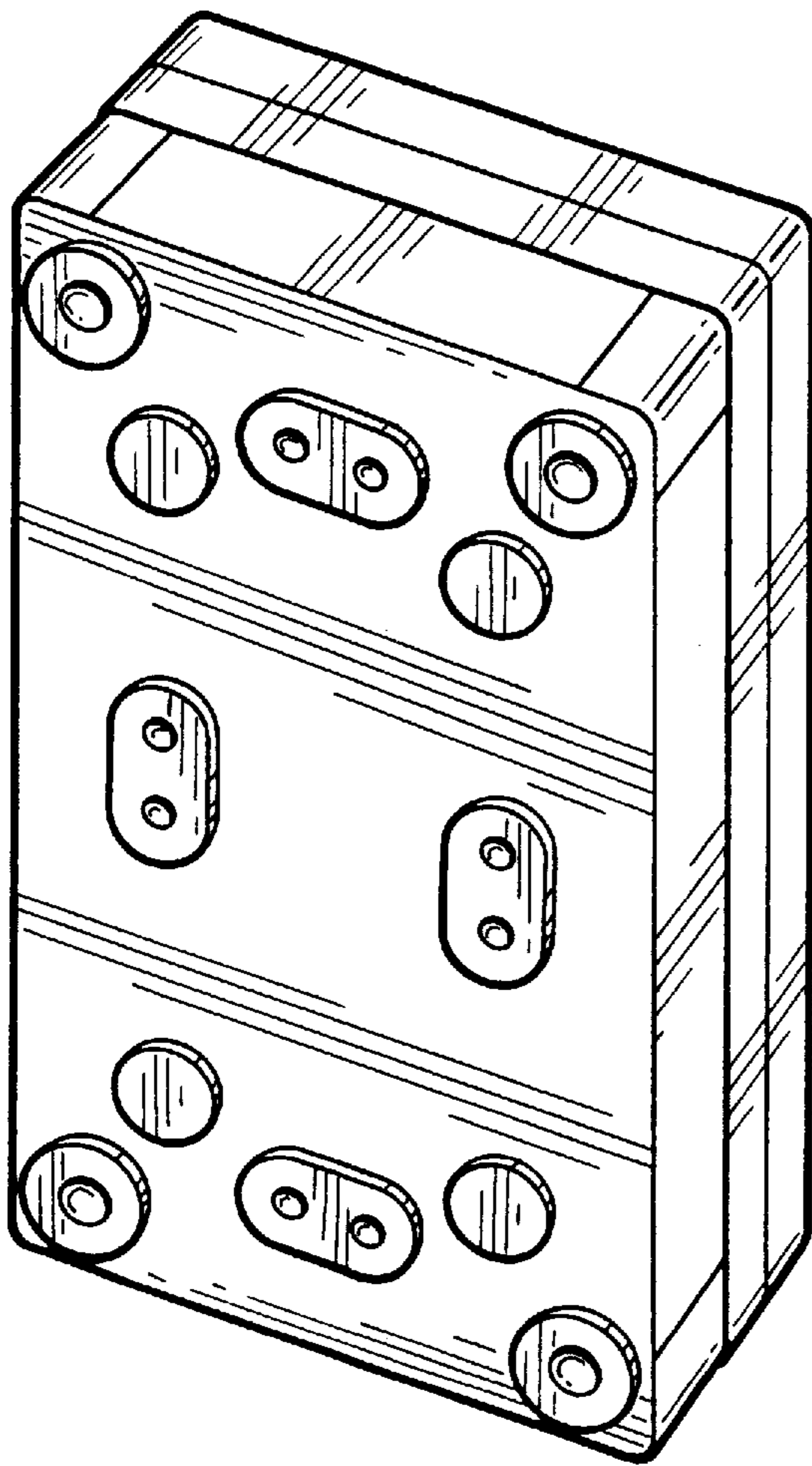
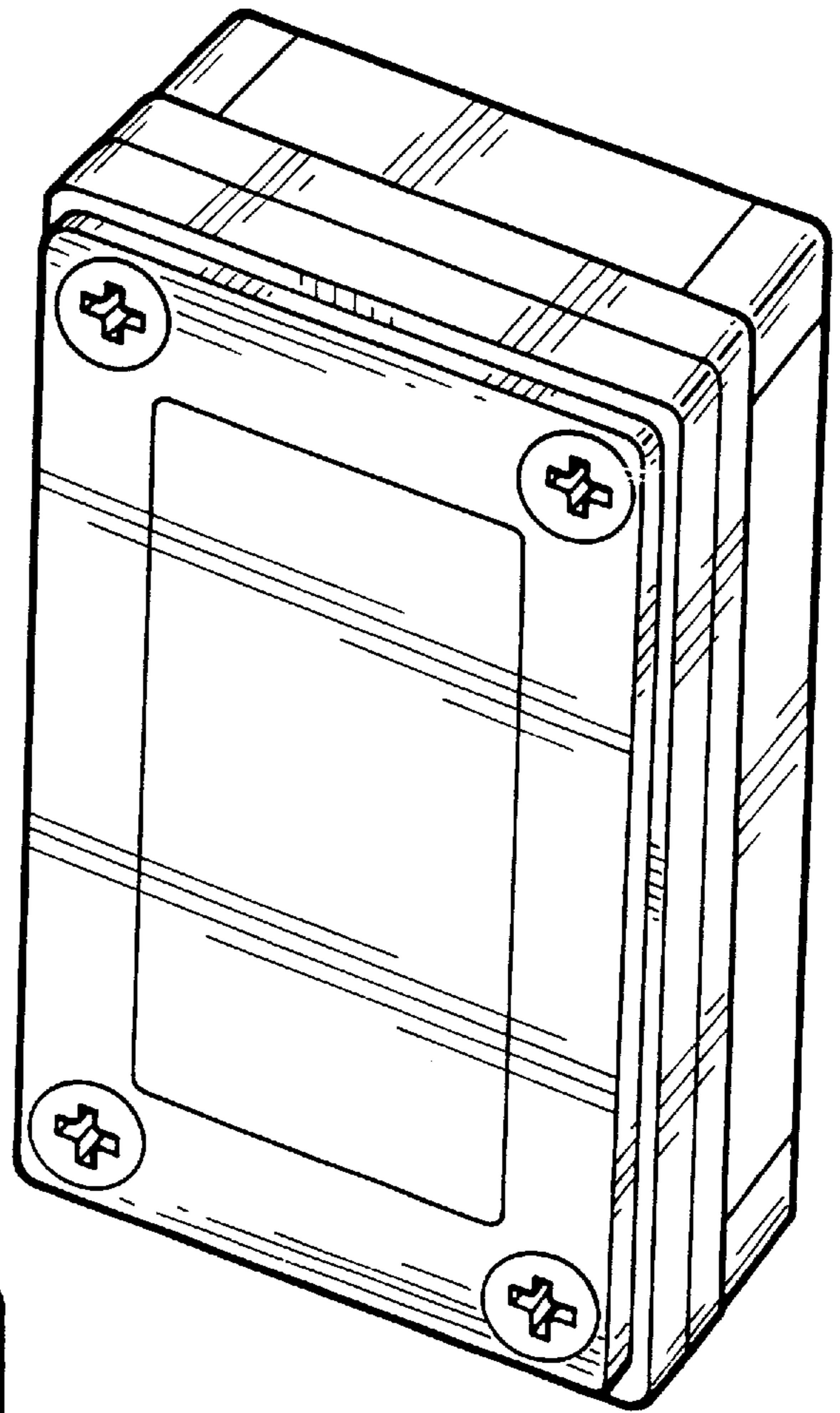


FIG. 2

FIG. 3

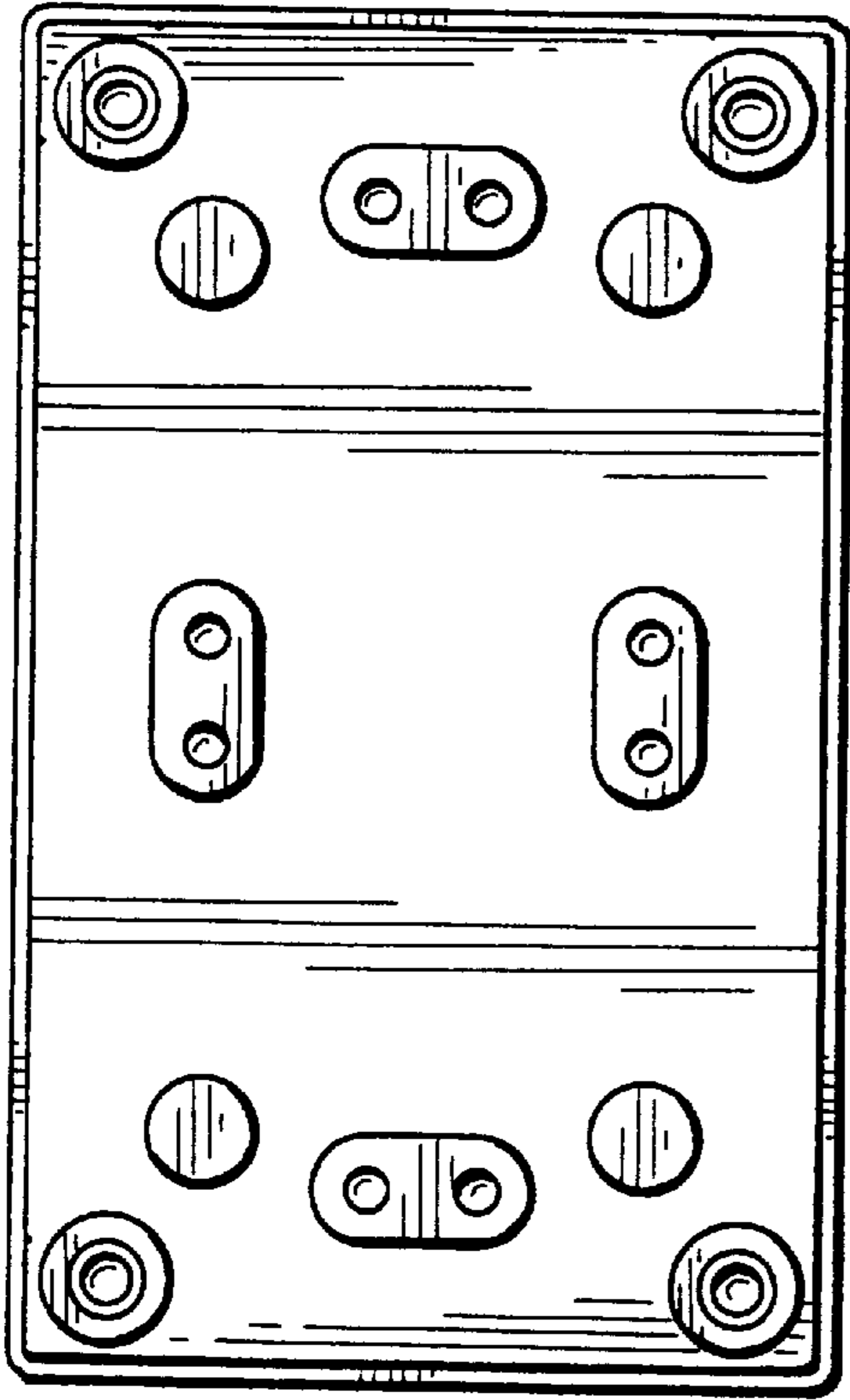


FIG. 4

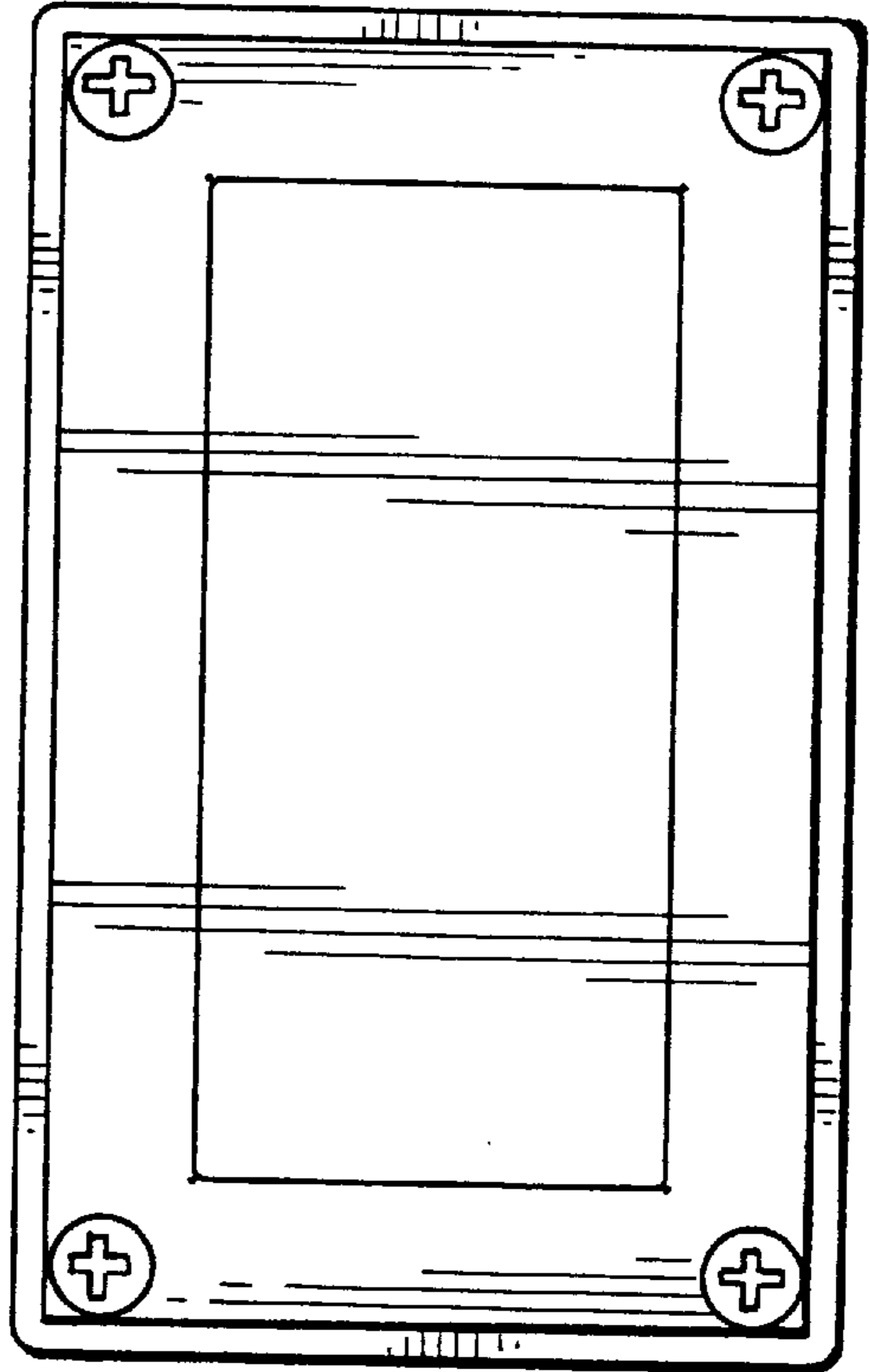


FIG. 5

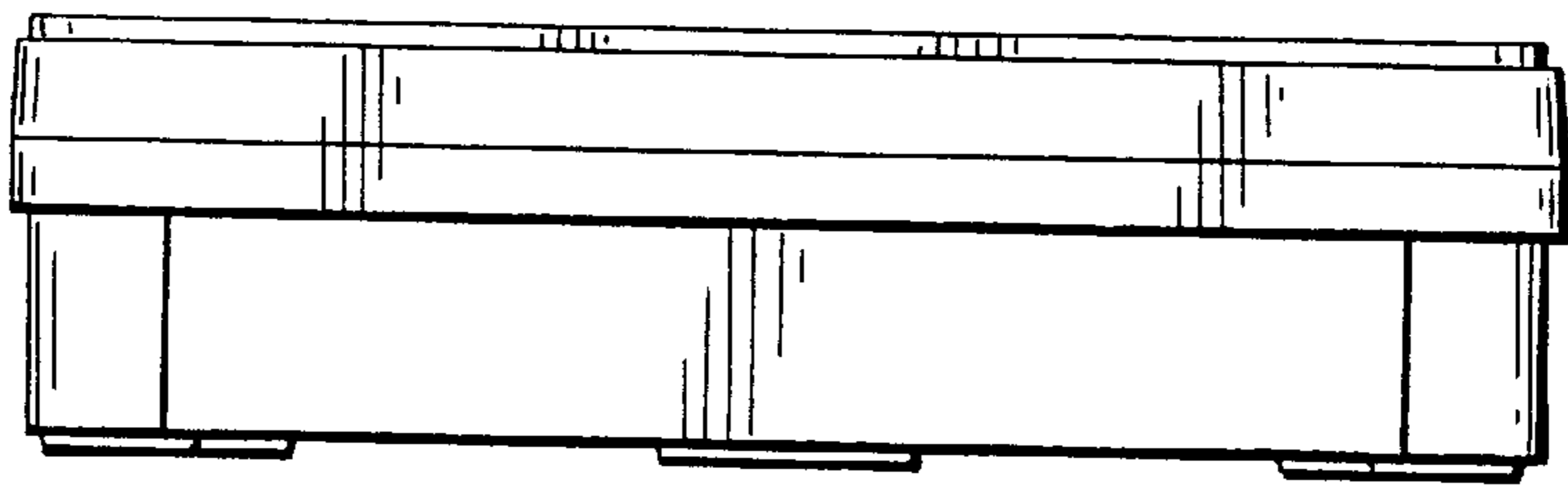


FIG. 6

