



US00D400512S

United States Patent [19]
Korhonen

[11] **Patent Number: Des. 400,512**

[45] **Date of Patent: **Nov. 3, 1998**

[54] **ENCLOSURE FOR ELECTRONIC AND ELECTRIC COMPONENTS**

[75] Inventor: **Olli Korhonen**, Espoo, Finland

[73] Assignee: **Fibox Oy AB**, Jorvas, Finland

[**] Term: **14 Years**

[21] Appl. No.: **74,442**

[22] Filed: **Aug. 4, 1997**

[30] **Foreign Application Priority Data**

Feb. 12, 1997 [FI] Finland 119/97

[51] **LOC (6) Cl.** **13-03**

[52] **U.S. Cl.** **D13/184**

[58] **Field of Search** D13/184, 162,
D13/164; D14/100; 361/679, 748, 752

[56] **References Cited**

U.S. PATENT DOCUMENTS

D. 265,989	8/1982	Harris et al.	D13/184
D. 308,854	6/1990	Fuhrmann et al.	D13/184
D. 312,618	12/1990	Ambors	D13/184
D. 353,800	12/1994	Lewis et al.	D13/184
D. 365,529	12/1995	Peroni	D13/184
D. 380,475	7/1997	Rasmussen	D13/184 X
5,317,462	5/1994	Kakizaki et al.	D13/184
5,565,656	10/1996	Mottahed	361/752 X

FOREIGN PATENT DOCUMENTS

741/95	11/1995	Finland	13/3
301/96	4/1996	Finland	13/3

Primary Examiner—Brian N. Vinson
Attorney, Agent, or Firm—Finnegan, Henderson, Farabow, Garrett & Dunner

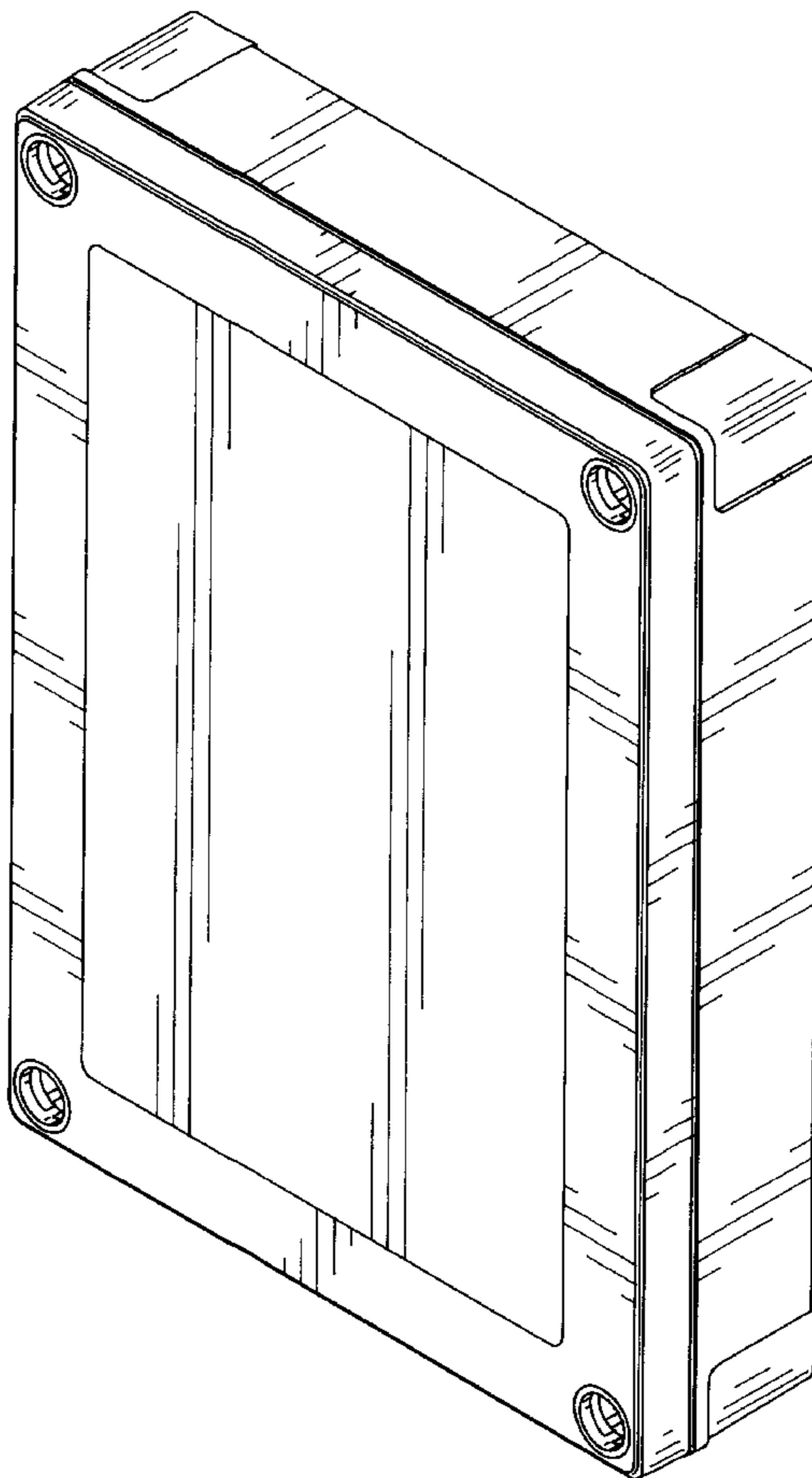
[57] **CLAIM**

The ornamental design for an enclosure for electronic and electric components, as shown and described.

DESCRIPTION

FIG. 1 is a perspective front view of an enclosure for electronic and electric components showing my new design; FIG. 2 is a perspective rear view thereof; FIG. 3 is a front view thereof; FIG. 4 is a rear view thereof; FIG. 5 is a right side view thereof; FIG. 6 is a left side view thereof; FIG. 7 is a top view thereof; FIG. 8 is a bottom view thereof; FIG. 9 is a perspective inside front view of the cover of the enclosure for electronic and electric components from FIG. 1; and, FIG. 10 is a perspective inside rear view of the bottom of the enclosure for electronic and electric components from FIG. 1.

1 Claim, 5 Drawing Sheets



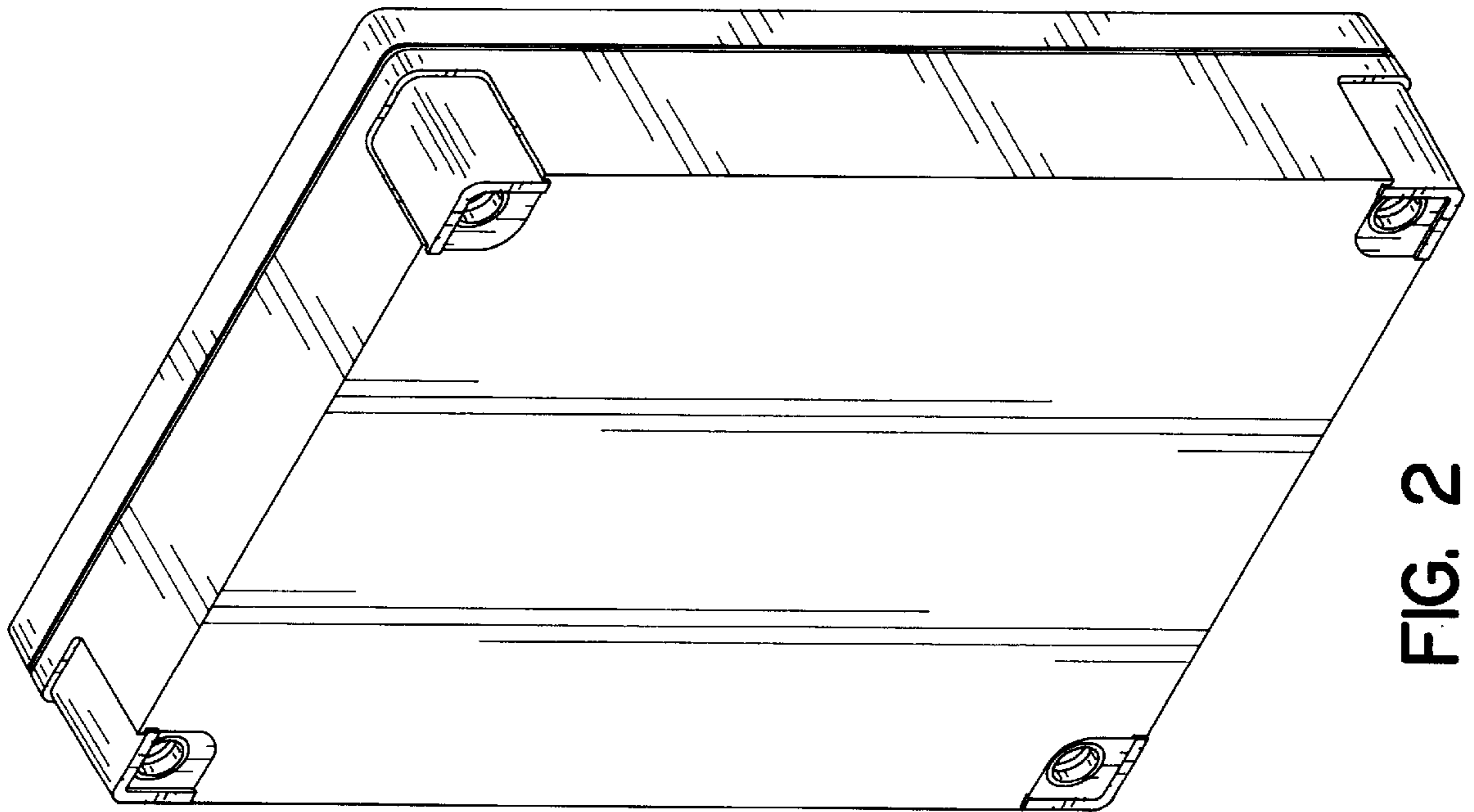


FIG. 2

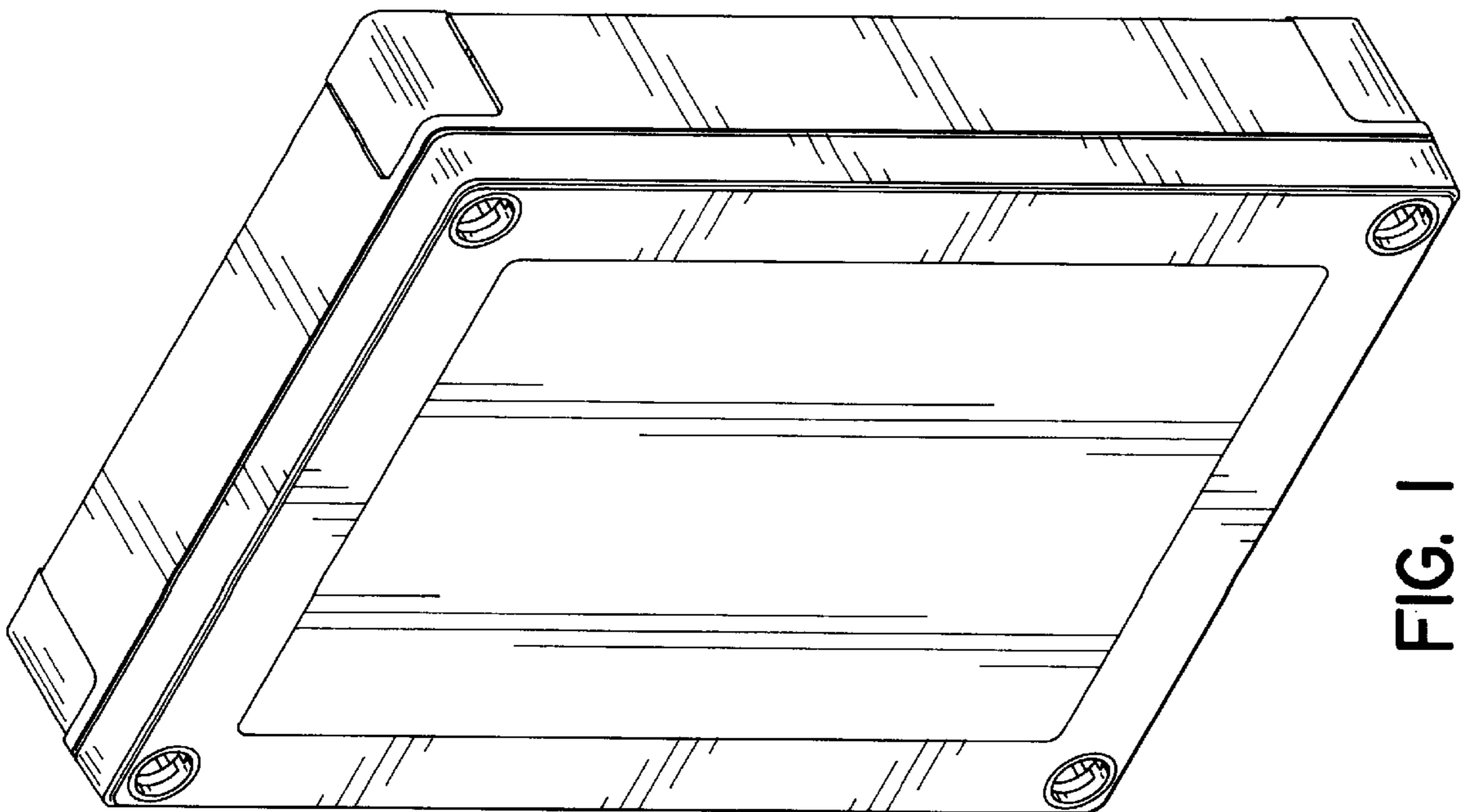


FIG. 1

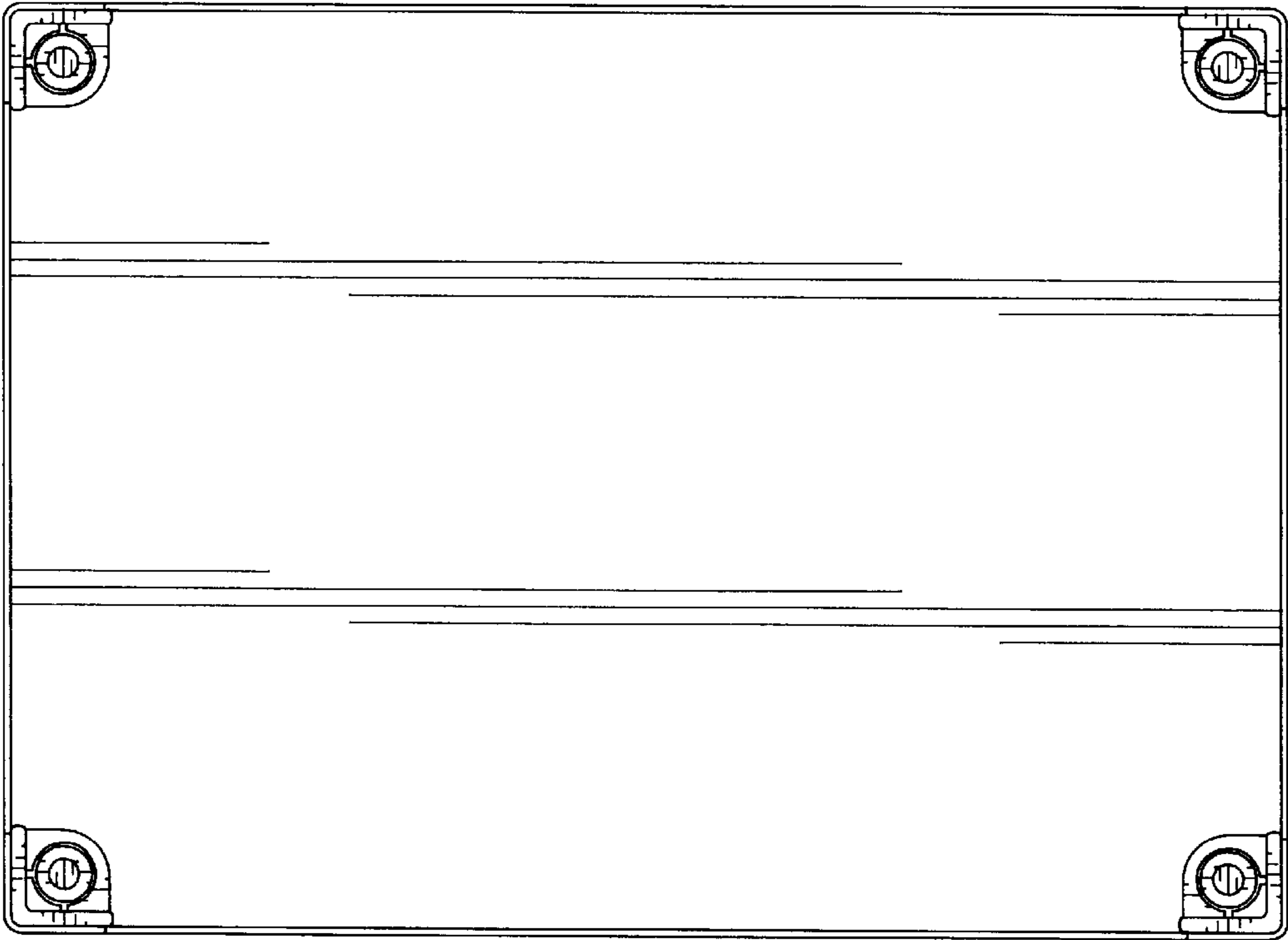


FIG. 4

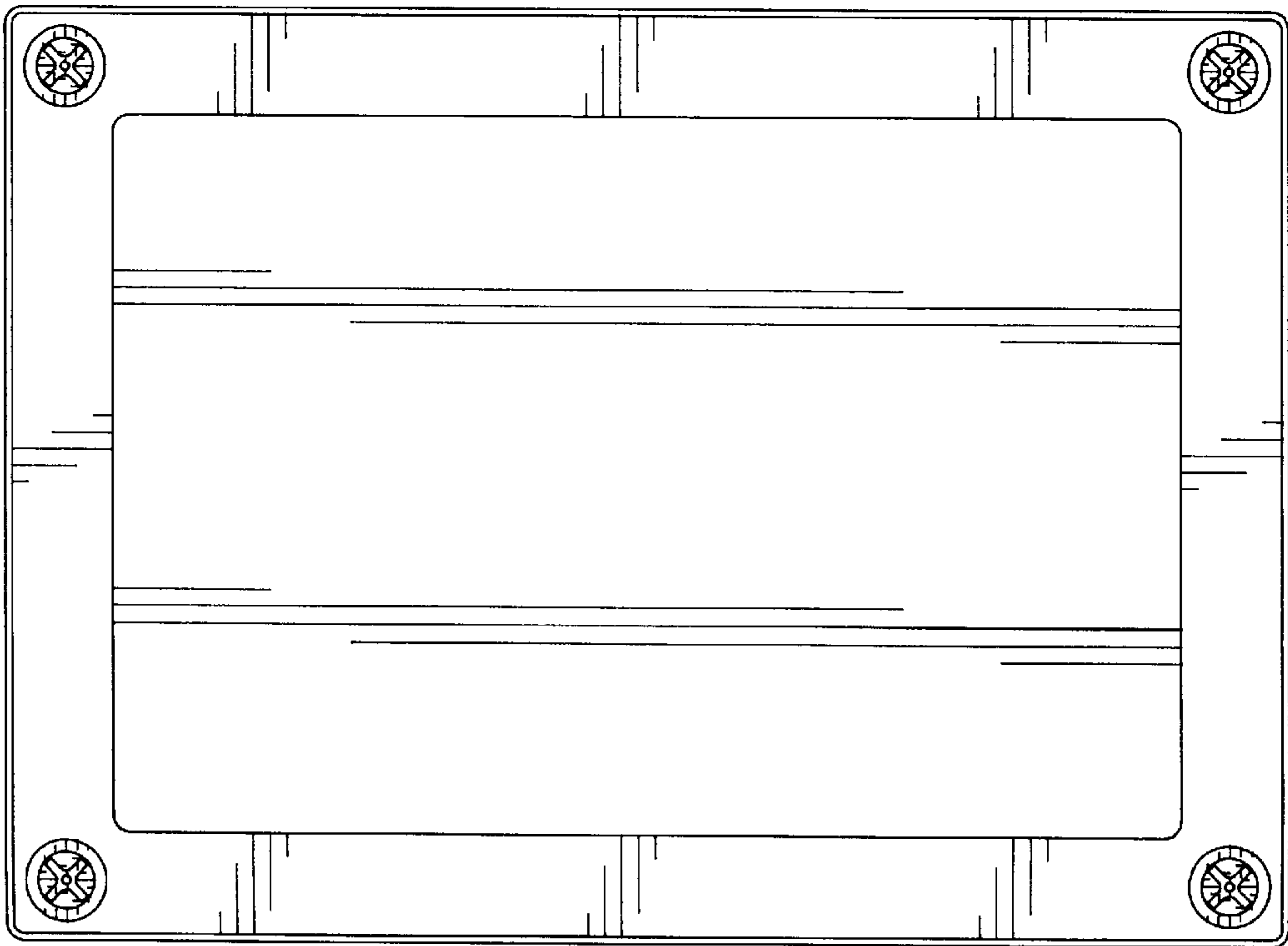


FIG. 3

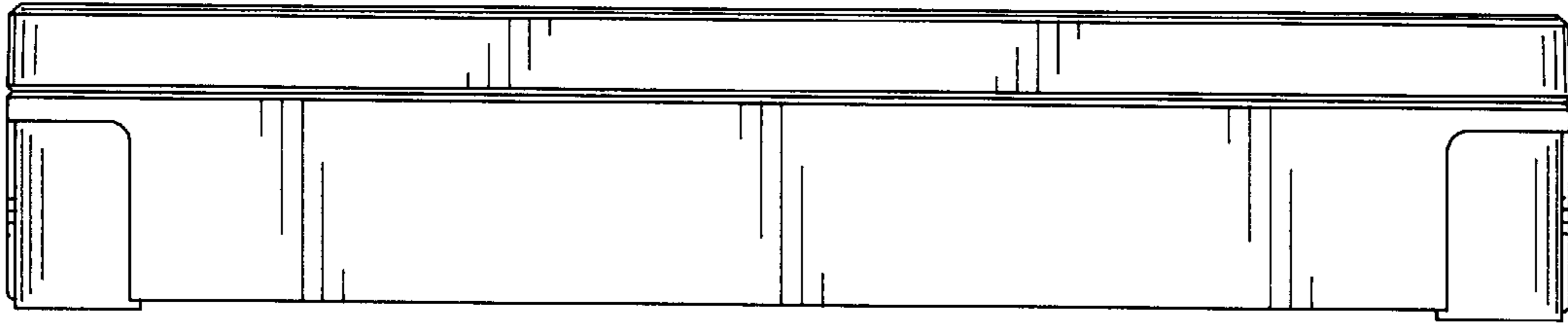


FIG. 6

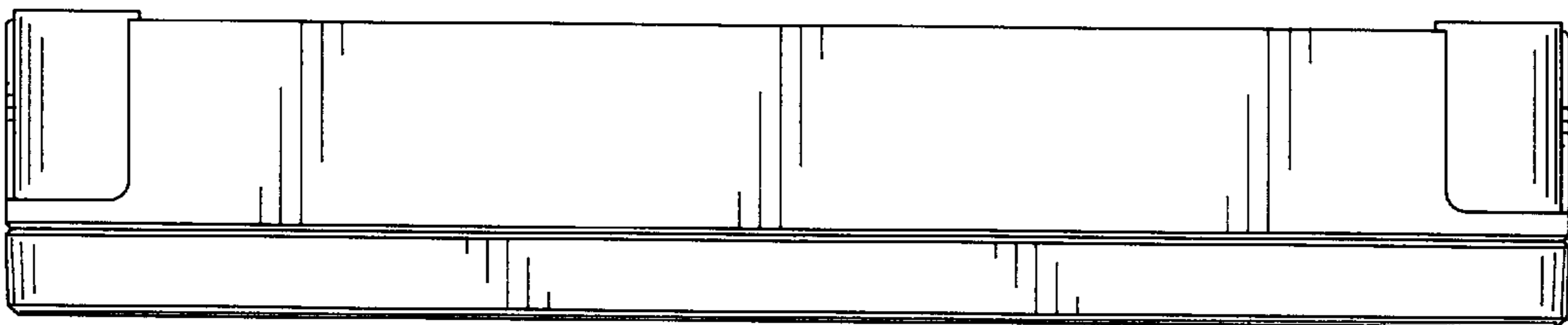


FIG. 5

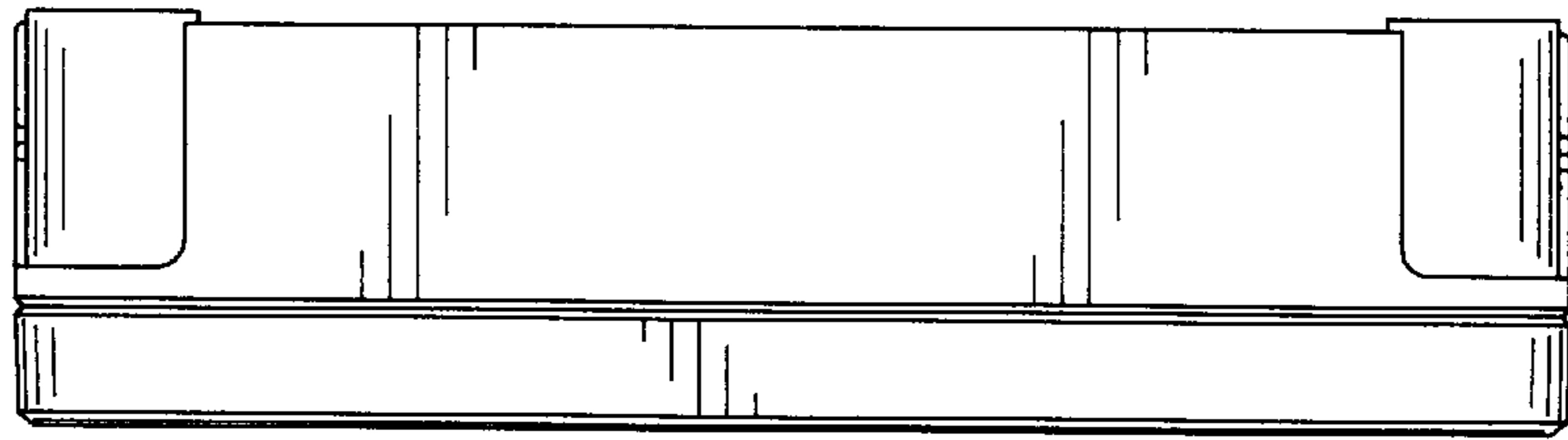


FIG. 7

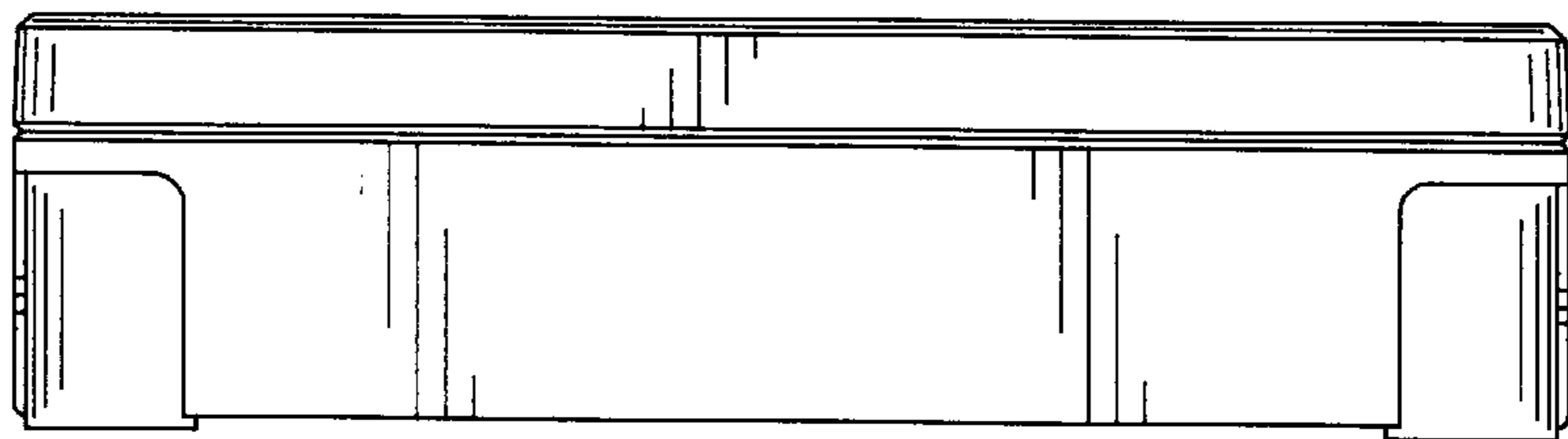


FIG. 8

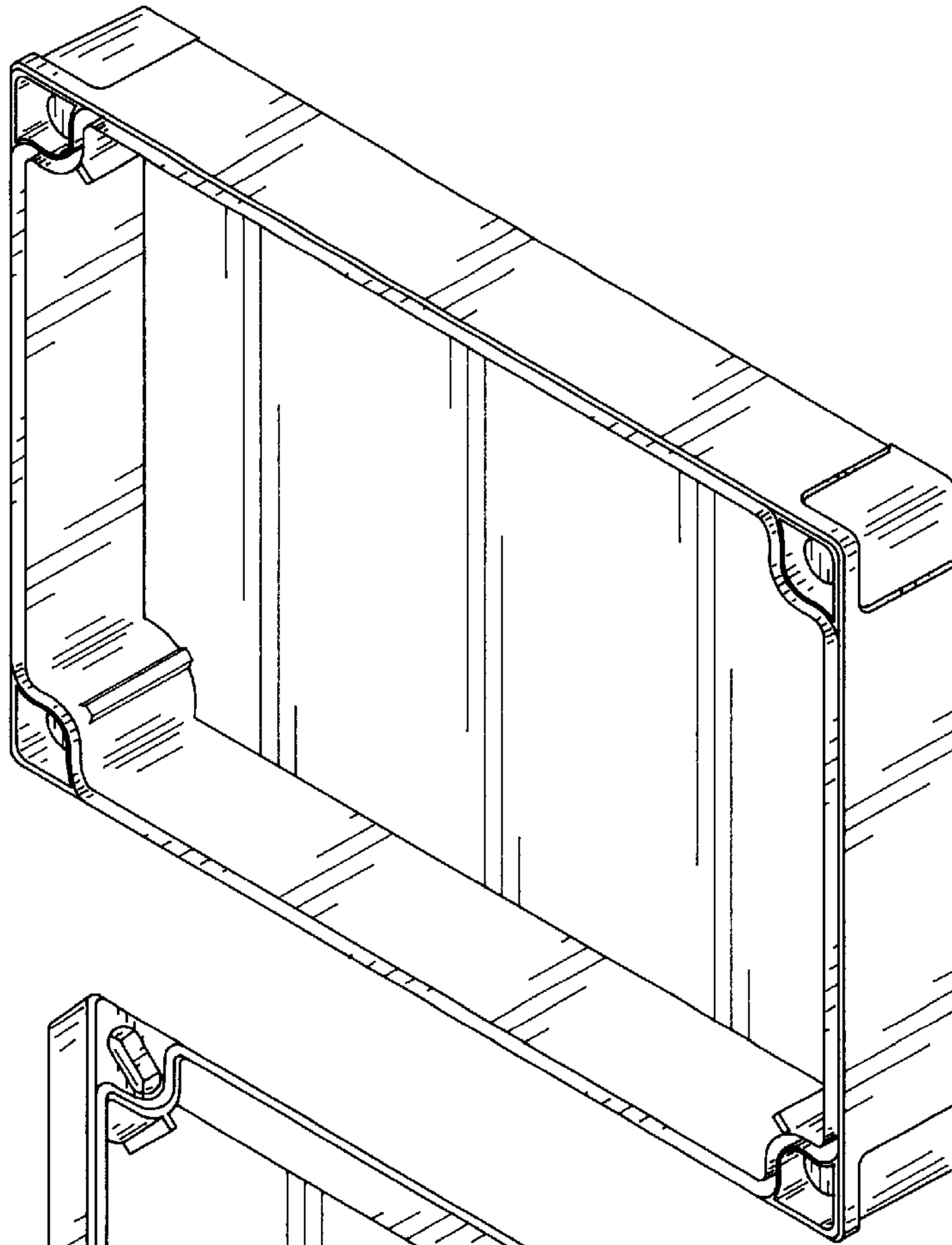


FIG. 9

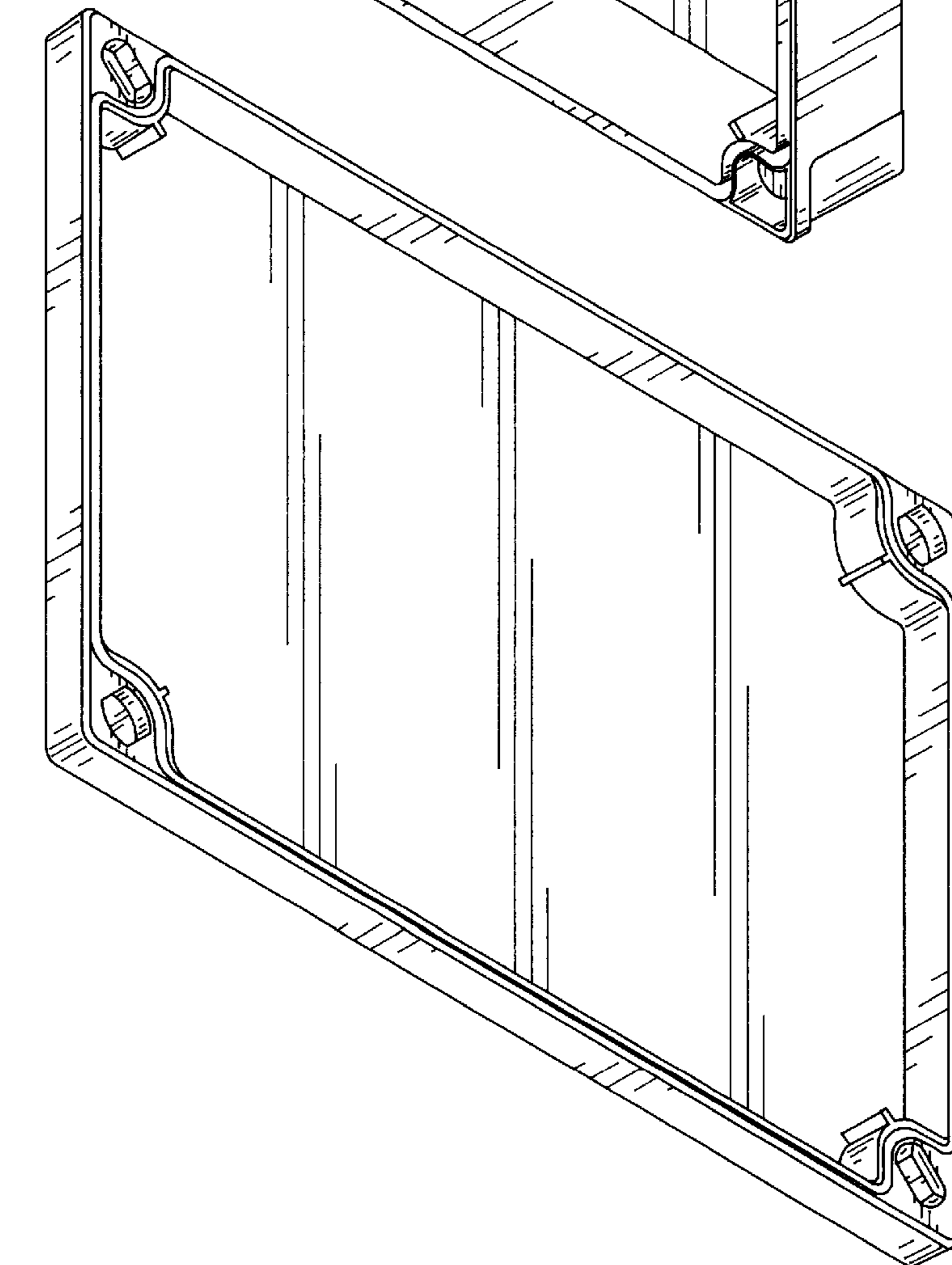


FIG. 10