



US00D400511S

# United States Patent [19] Tepman

[11] **Patent Number: Des. 400,511**  
[45] **Date of Patent: \*\*Nov. 3, 1998**

[54] **MAGNET STRUCTURE FOR A CONICAL TARGET**

5,252,194 10/1993 Demaray et al. .

[75] Inventor: **Avi Tepman**, Cupertino, Calif.

[73] Assignee: **Applied Materials, Inc.**, Santa Clara, Calif.

[\*\*] Term: **14 Years**

[21] Appl. No.: **52,010**

[22] Filed: **Mar. 21, 1996**

[51] **LOC (6) Cl. .... 13-99**

[52] **U.S. Cl. .... D13/183**

[58] **Field of Search** ..... D13/183; 335/209, 335/216, 302, 303, 304, 305, 306; 204/192.12, 298.18, 298.19, 298.2

### FOREIGN PATENT DOCUMENTS

0 273 550 10/1997 European Pat. Off. .  
150 482 9/1981 Germany .  
62-017175 1/1987 Japan .  
63-243272 3/1987 Japan .  
63-243272 10/1988 Japan .  
5-148633 6/1993 Japan .  
7-166346 6/1995 Japan .

*Primary Examiner*—Antoine Duval Davis  
*Attorney, Agent, or Firm*—Patterson & Streets, L.L.P.

### [57] CLAIM

The ornamental design for a magnet structure for a conical target, as shown.

### DESCRIPTION

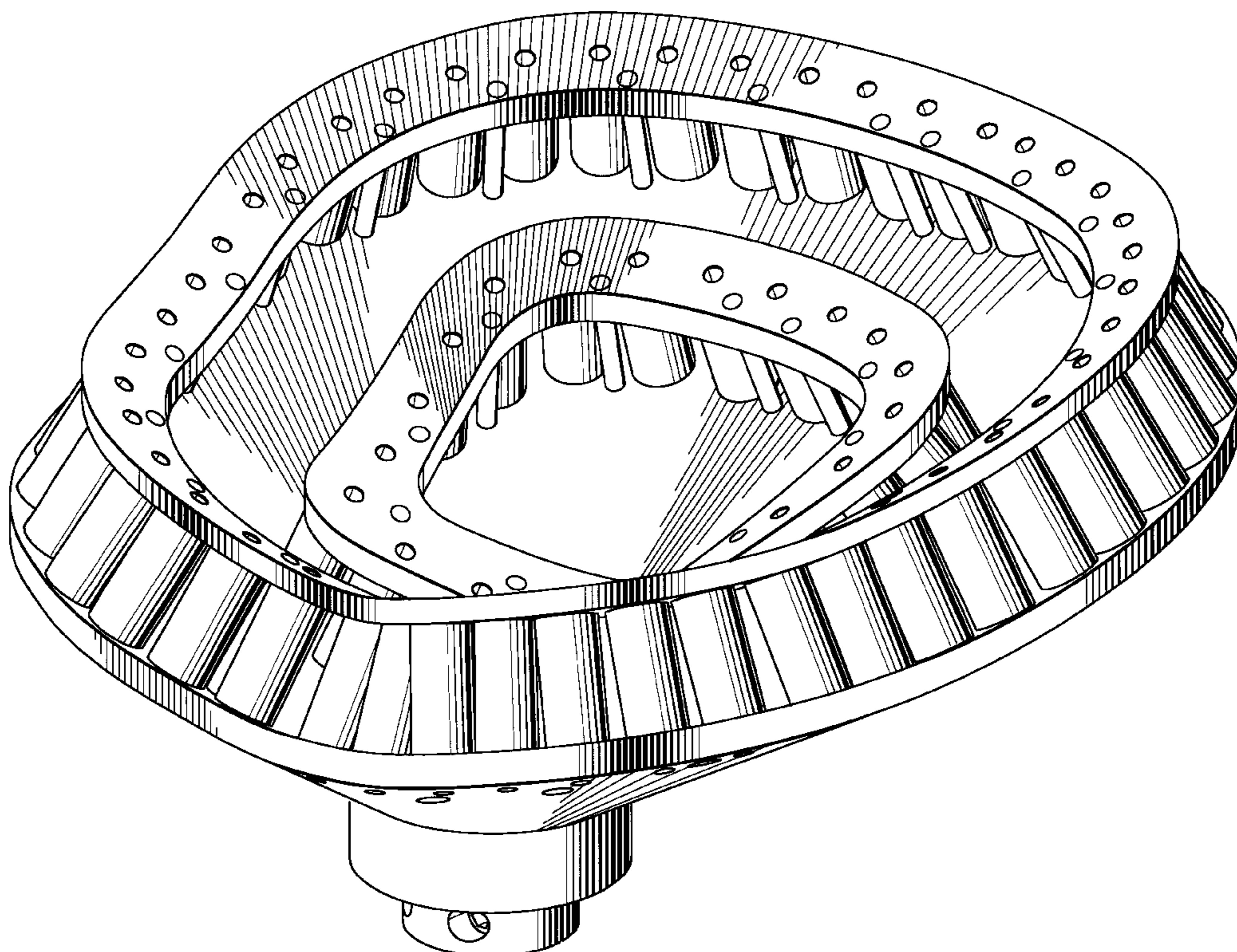
FIG. 1 is a perspective view showing substantially the bottom of a magnet structure of the present invention; FIG. 2 is a perspective view showing substantially one side of a magnet structure of the present invention; FIG. 3 is a perspective view showing substantially another side of a magnet structure of the present invention; FIG. 4 is a perspective view showing substantially another side of a magnet structure of the present invention; FIG. 5 is a perspective view showing substantially the bottom of a magnet structure of the present invention; FIG. 6 is a bottom perspective view of a magnet structure of the present invention; and, FIG. 7 is a top perspective view of a magnet structure of the present invention.

### [56] References Cited

#### U.S. PATENT DOCUMENTS

D. 337,148	7/1993	Burns	.....	D13/183 X
3,654,110	4/1972	Kraus	.	
3,663,850	5/1972	Phelon	.....	335/306
3,988,232	10/1976	Wasa et al.	.	
4,394,236	7/1983	Robinson	.	
4,457,825	7/1984	Lamont, Jr.	.	
4,547,279	10/1985	Kiyota et al.	.	
4,673,480	6/1987	Lamont, Jr.	.	
4,721,553	1/1988	Saito et al.	.	
4,747,926	5/1988	Shimizu et al.	.	
4,756,810	7/1988	Lamont, Jr. et al.	.	
4,957,605	9/1990	Hurwitt et al.	.	
5,063,934	11/1991	Rapoport et al.	.....	335/304
5,194,131	3/1993	Anderson	.	

**1 Claim, 7 Drawing Sheets**



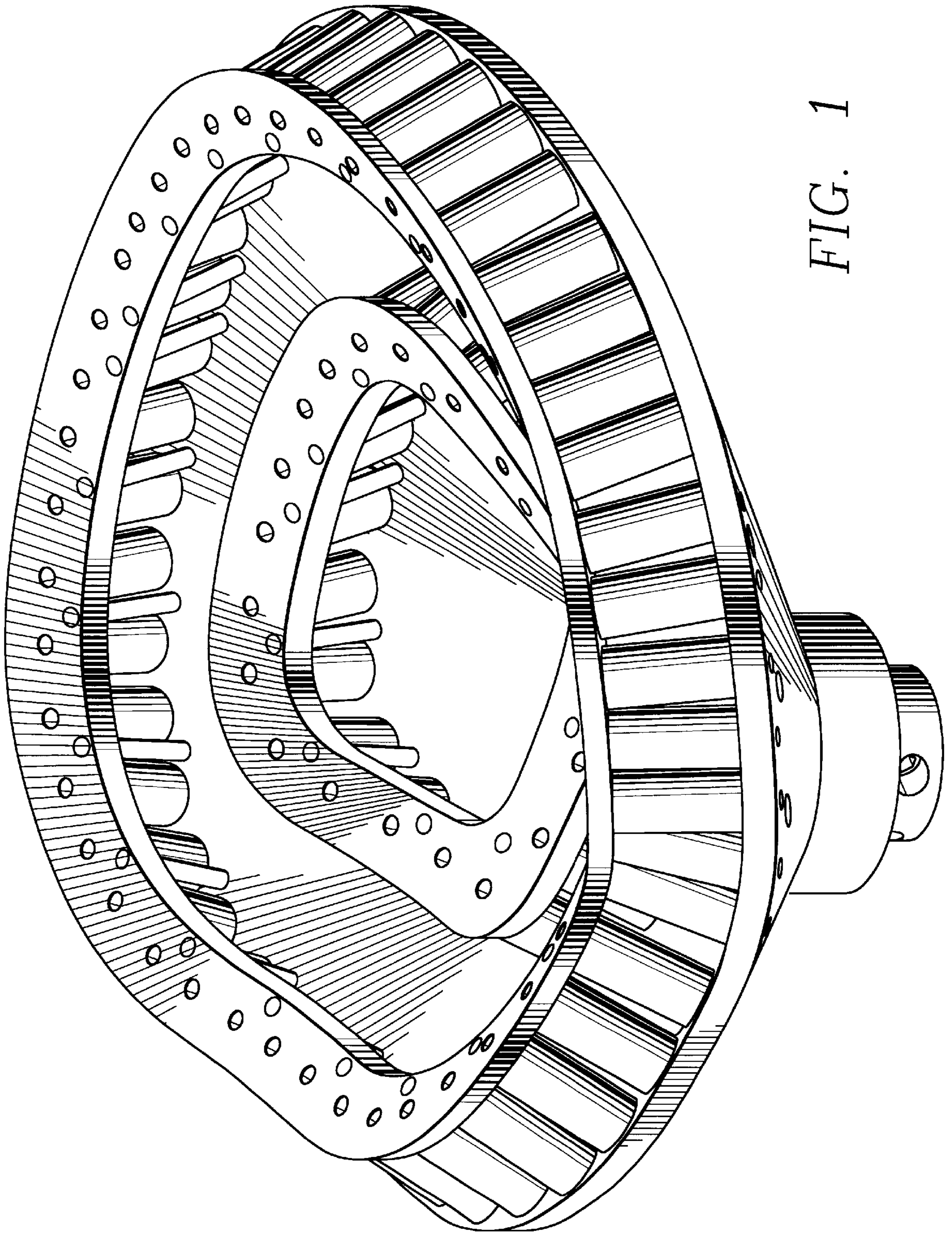
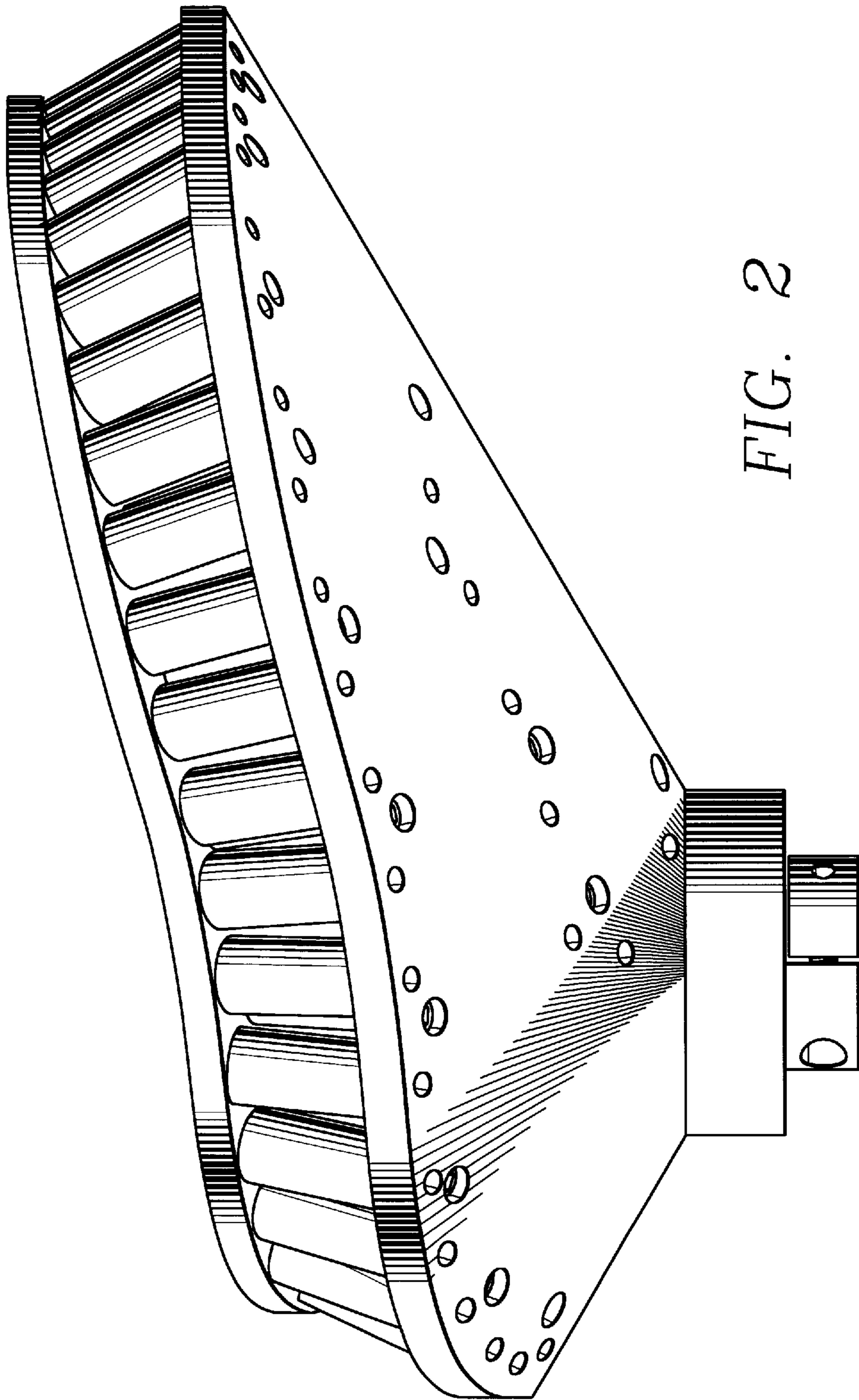


FIG. 1



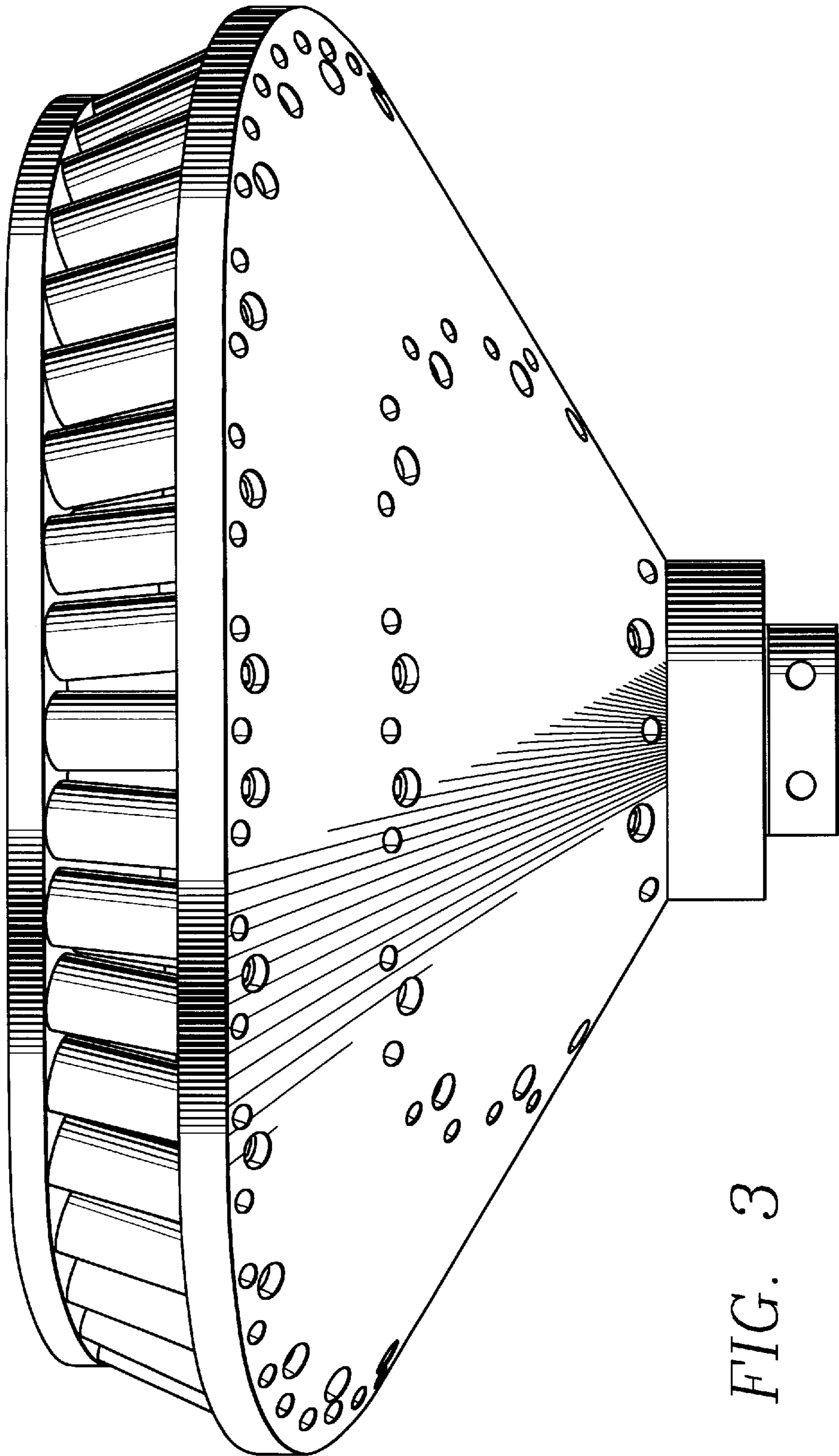


FIG. 3

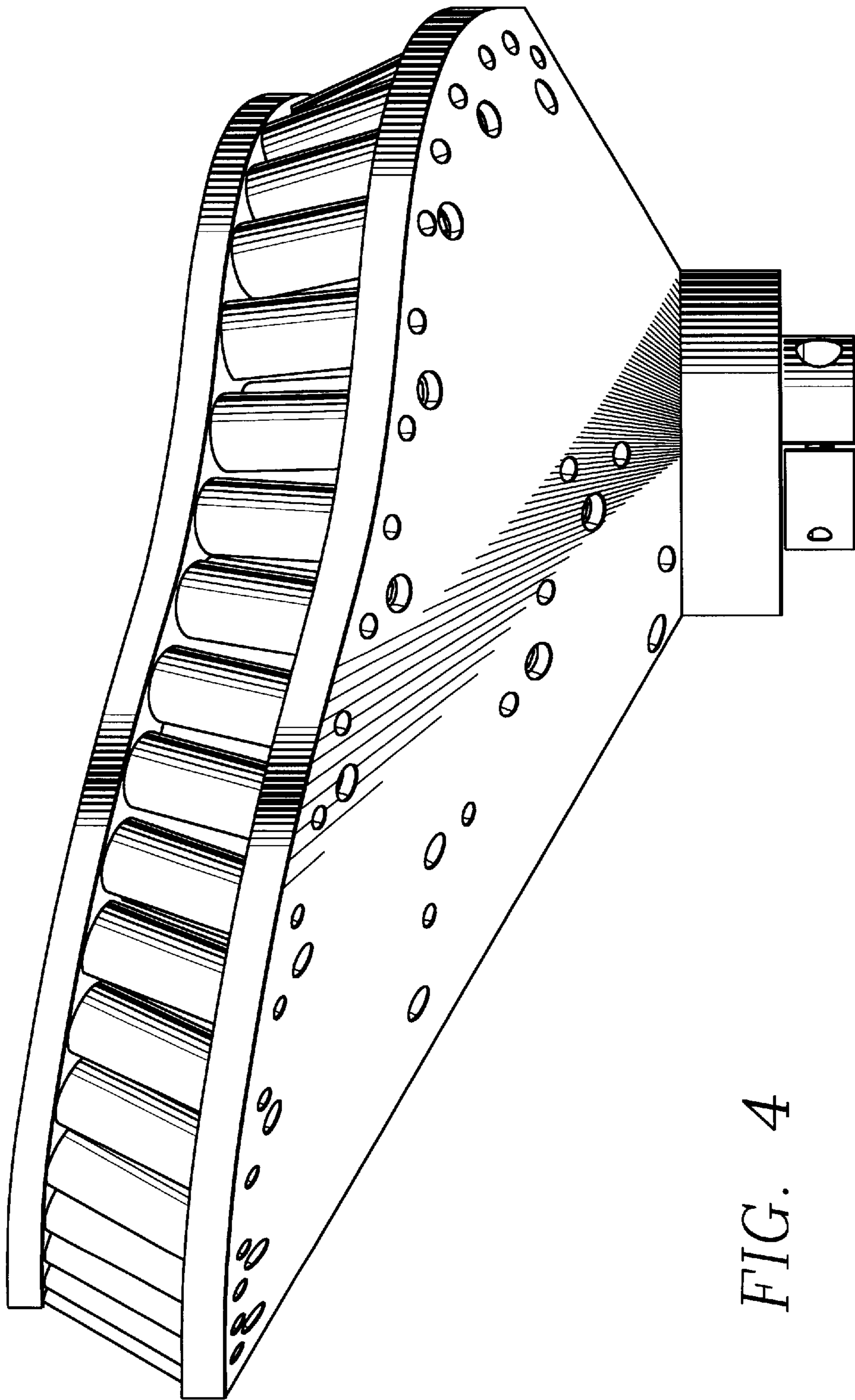


FIG. 4

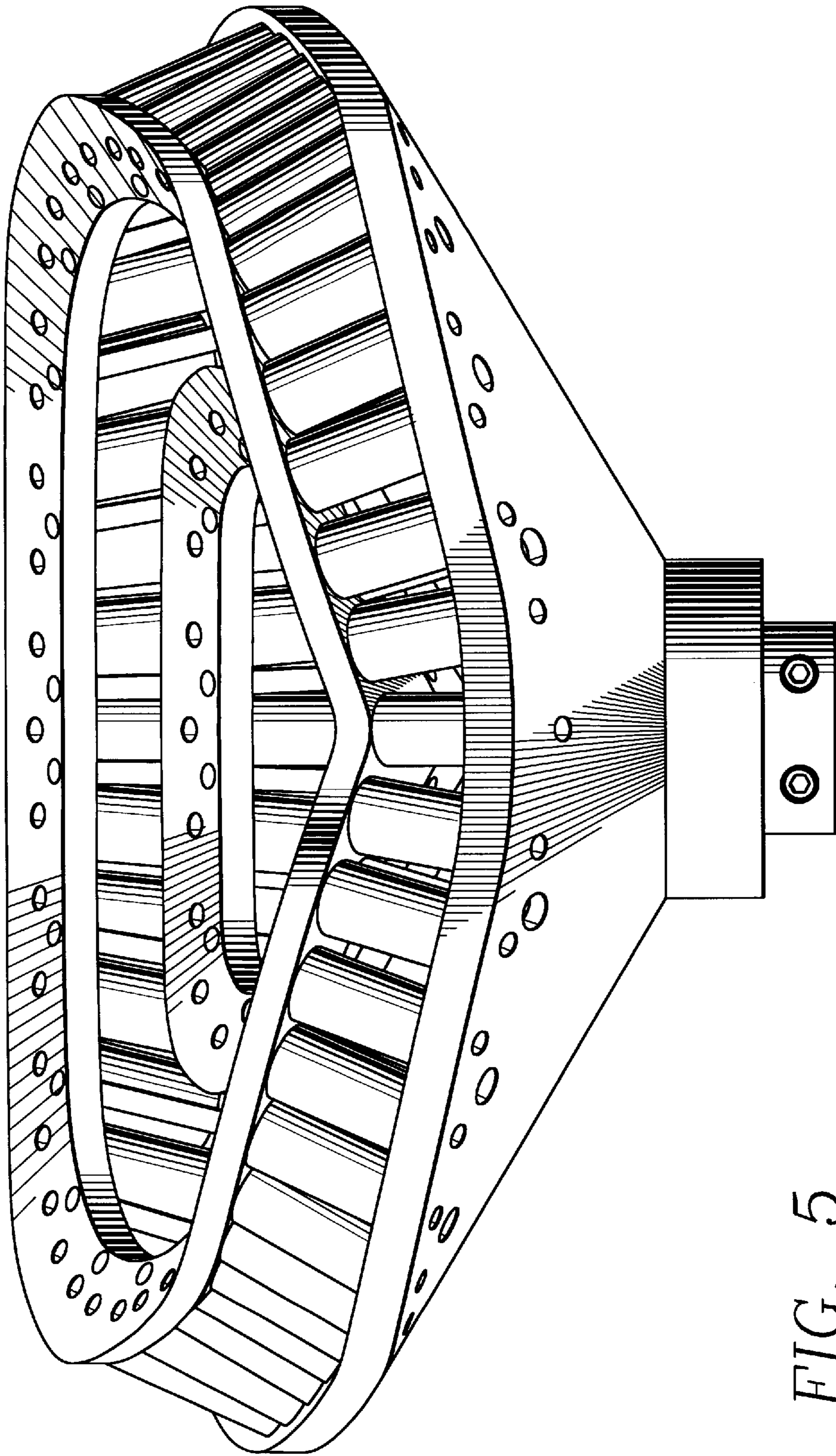


FIG. 5

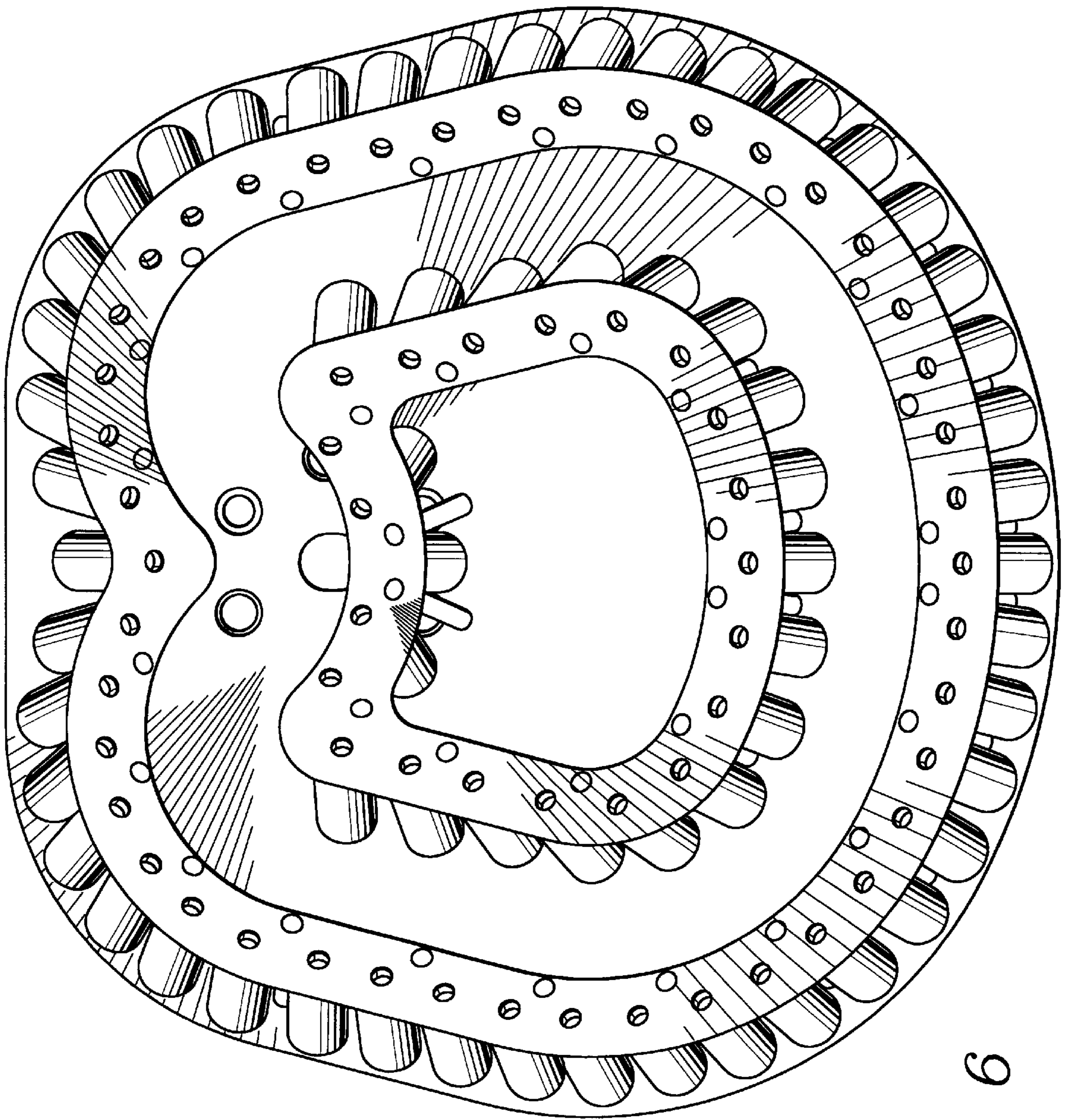


FIG. 6

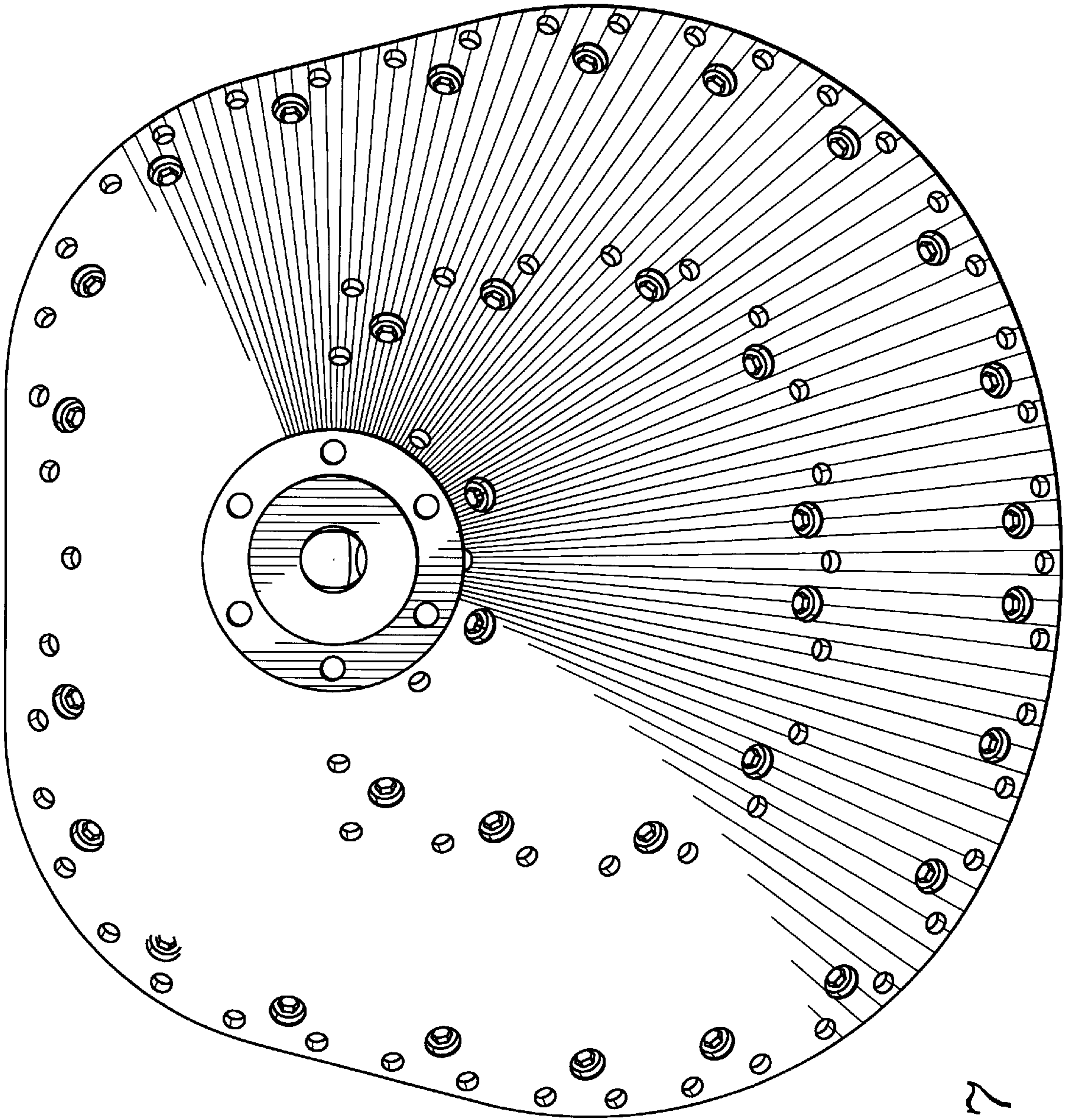


FIG. 7