



US00D400510S

**United States Patent** [19]  
**Brunelle**

[11] **Patent Number: Des. 400,510**

[45] **Date of Patent: \*\*Nov. 3, 1998**

[54] **PROGRAMMABLE LOGIC CONTROLLER**

5,216,579 6/1993 Basara et al. .... 361/683  
5,493,194 2/1996 Damiano et al. .... D13/162 X

[75] Inventor: **Hervé Brunelle**, Antibes, France

[73] Assignee: **AEG Schneider Automation**, Antibes, France

[\*\*] Term: **14 Years**

*Primary Examiner*—James Gandy  
*Assistant Examiner*—Cathron B. Matta  
*Attorney, Agent, or Firm*—Oblon, Spivak, McClelland, Maier & Neustadt, P.C.

[21] Appl. No.: **54,862**

[22] Filed: **May 23, 1996**

[57] **CLAIM**

The ornamental design for a programmable logic controller, as shown.

[30] **Foreign Application Priority Data**

Nov. 23, 1995 [FR] France ..... 95 6491

[51] **LOC (6) Cl.** ..... **13-03**

[52] **U.S. Cl.** ..... **D13/162**

[58] **Field of Search** ..... D13/158, 162-164,  
D13/177, 184, 199; 361/683, 684, 687,  
733, 752

**DESCRIPTION**

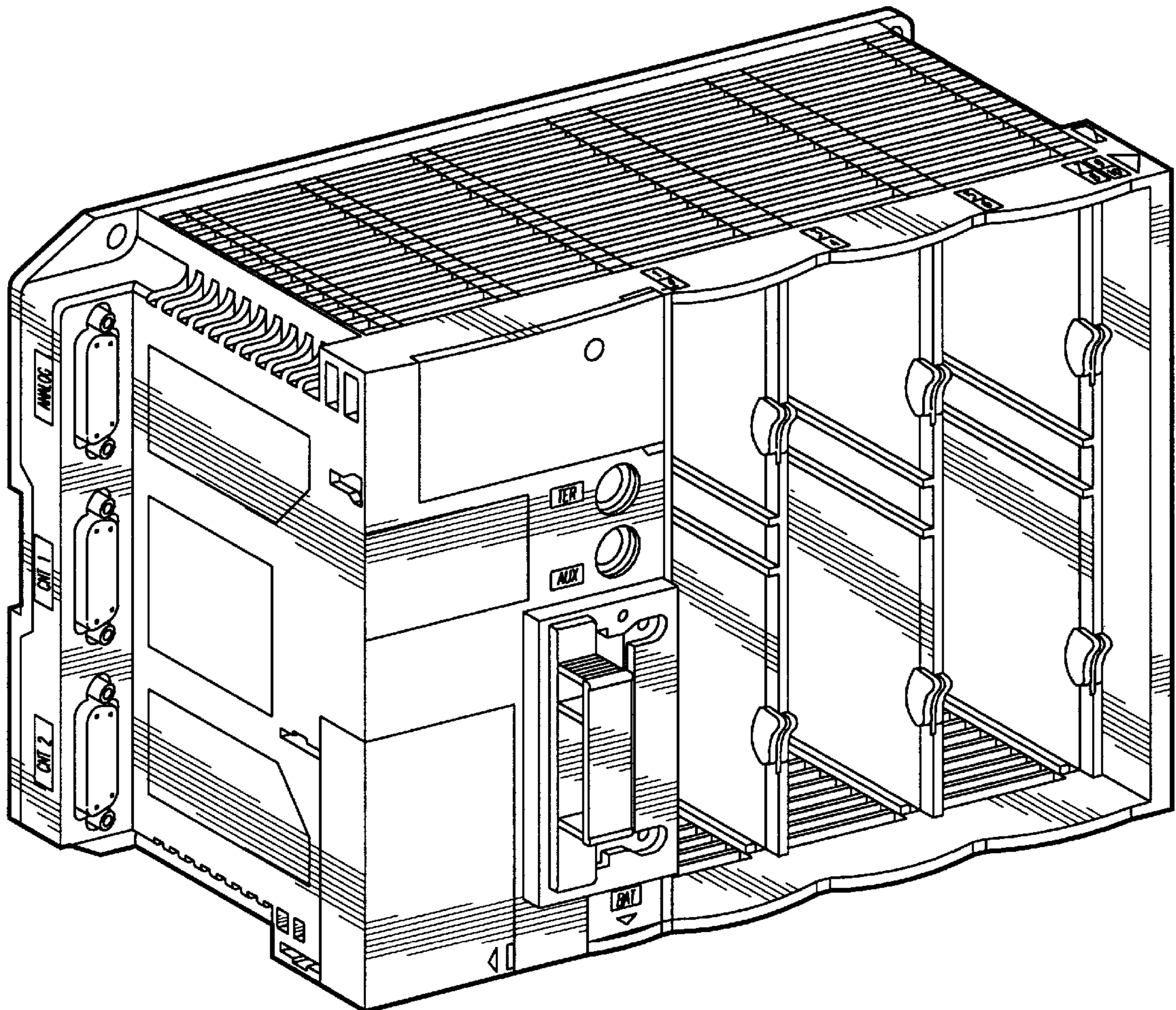
FIG. 1 is a top, front and left side perspective view of programmable logic controller embodying my new design; FIG. 2 is a front and right side perspective view thereof; FIG. 3 is a left side view thereof; FIG. 4 is a right side view thereof; FIG. 5 is a front elevational view thereof; FIG. 6 is a top plan view thereof; FIG. 7 is a bottom plan view thereof; FIG. 8 is a rear view thereof; and, FIG. 9 is a bottom, rear and right side perspective view thereof.

[56] **References Cited**

**U.S. PATENT DOCUMENTS**

D. 309,446 7/1990 Russell ..... D13/162  
D. 345,137 3/1994 Thomas ..... D13/162 X  
D. 368,252 3/1996 Nakai ..... D13/162

**1 Claim, 6 Drawing Sheets**



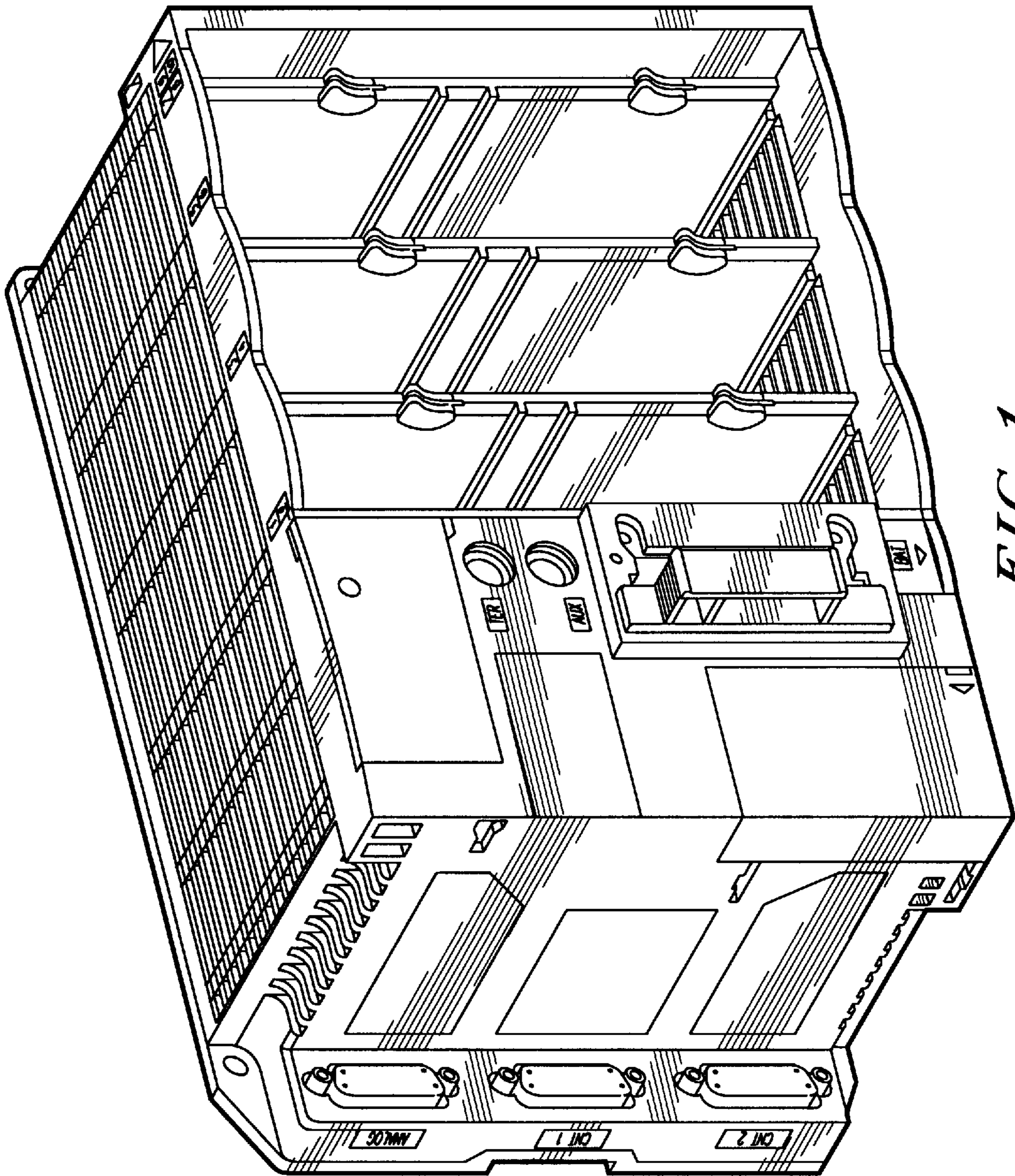


FIG. 1



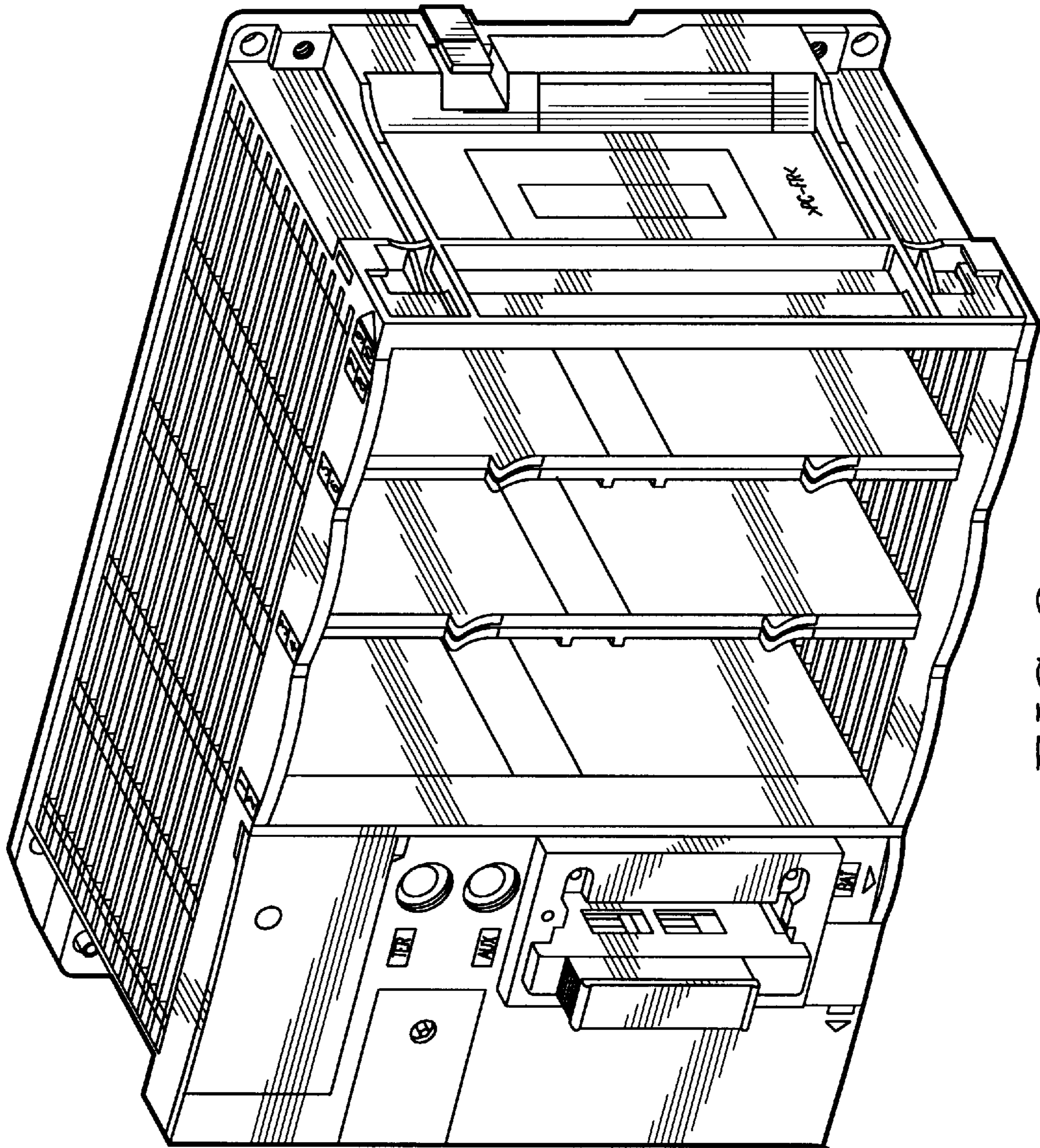


FIG. 2

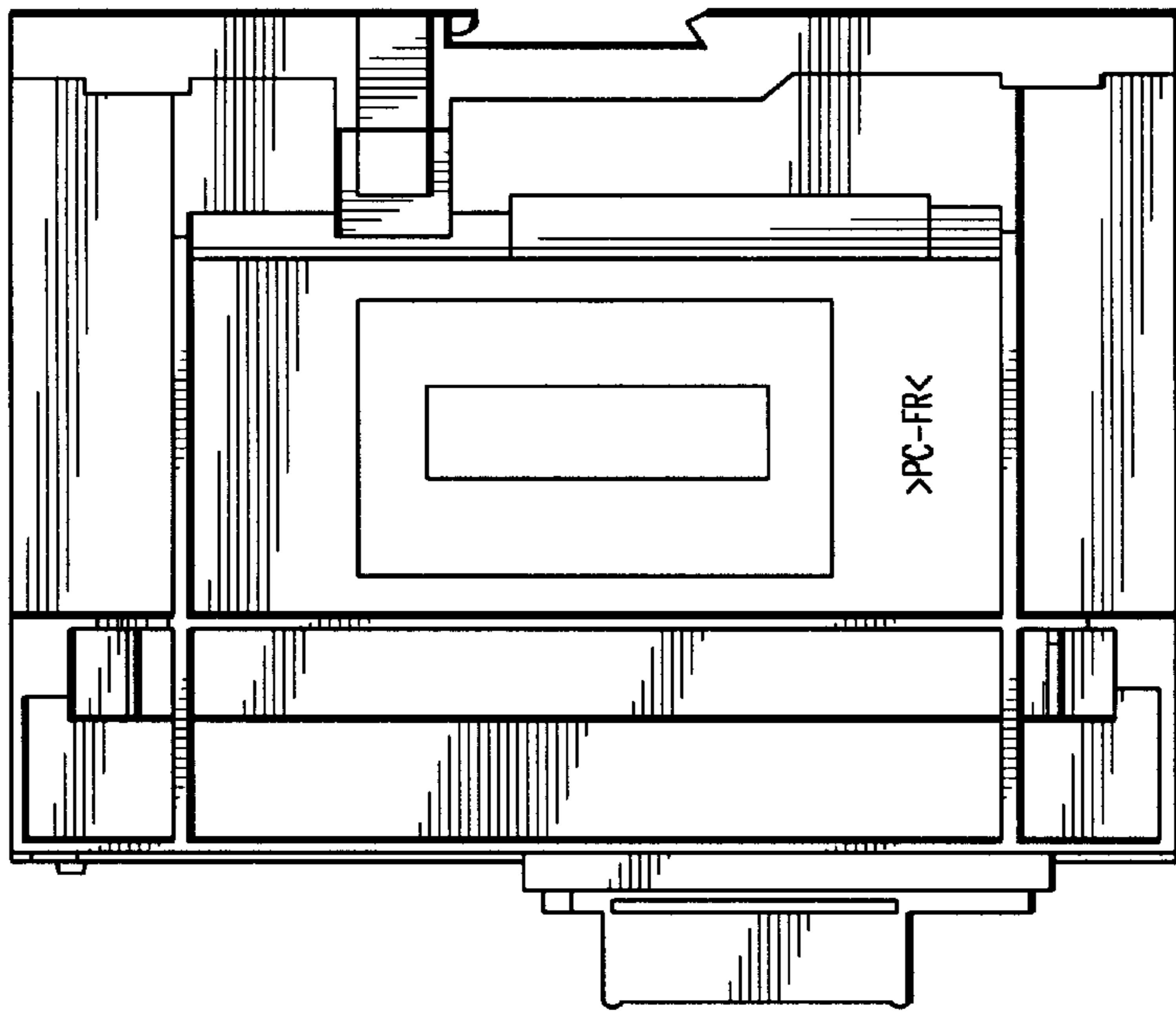


FIG. 4

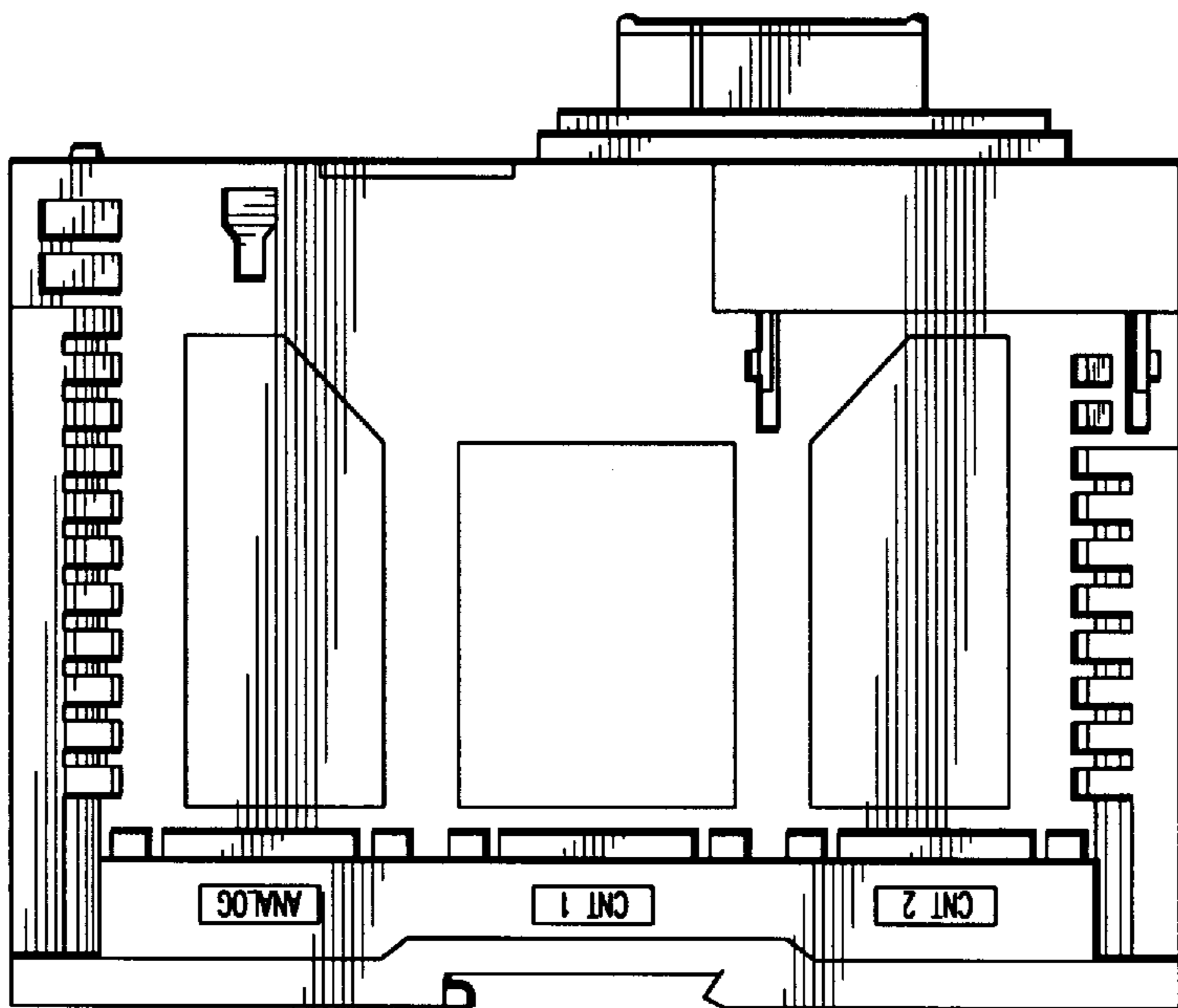


FIG. 3

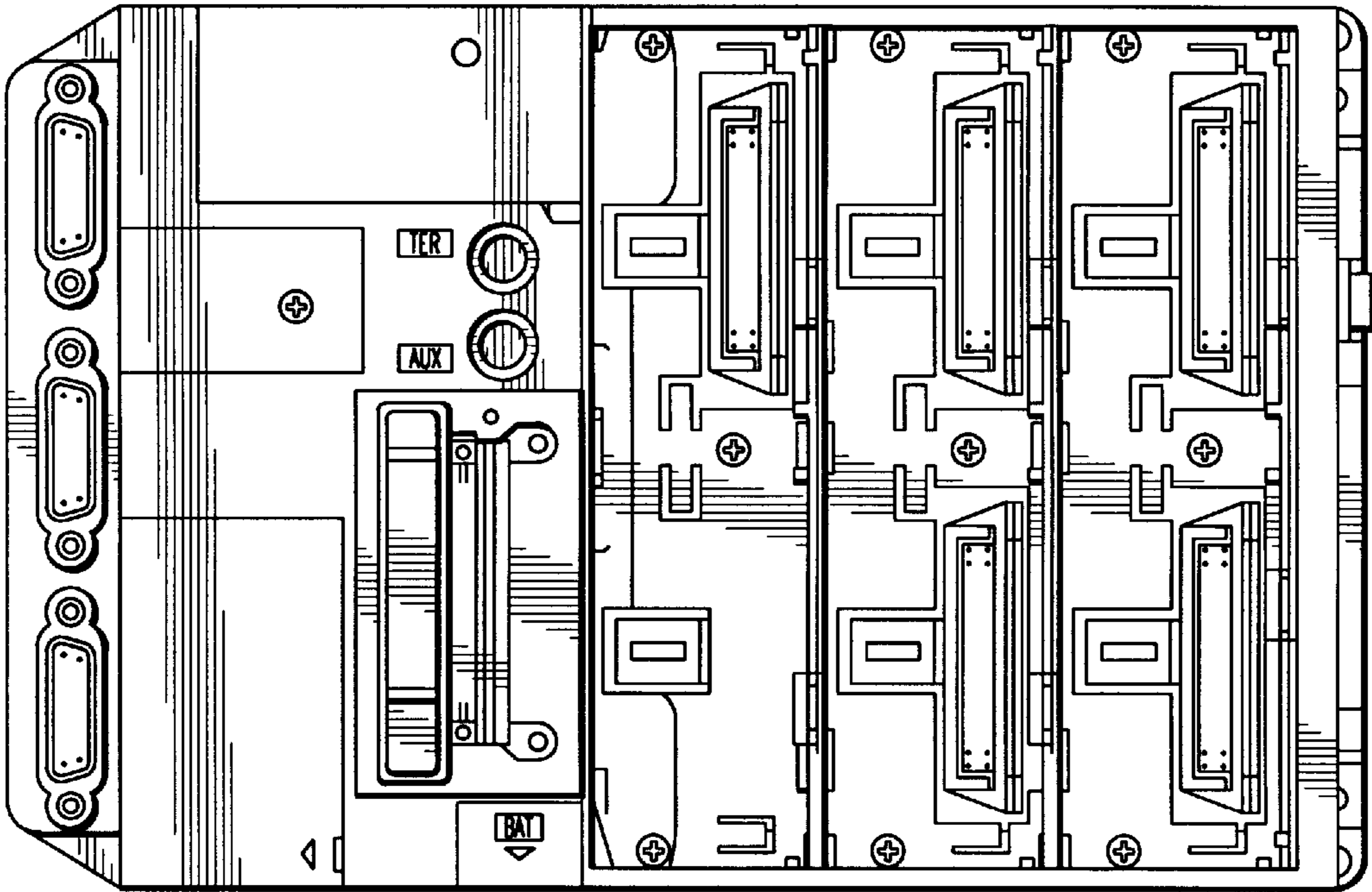


FIG. 5

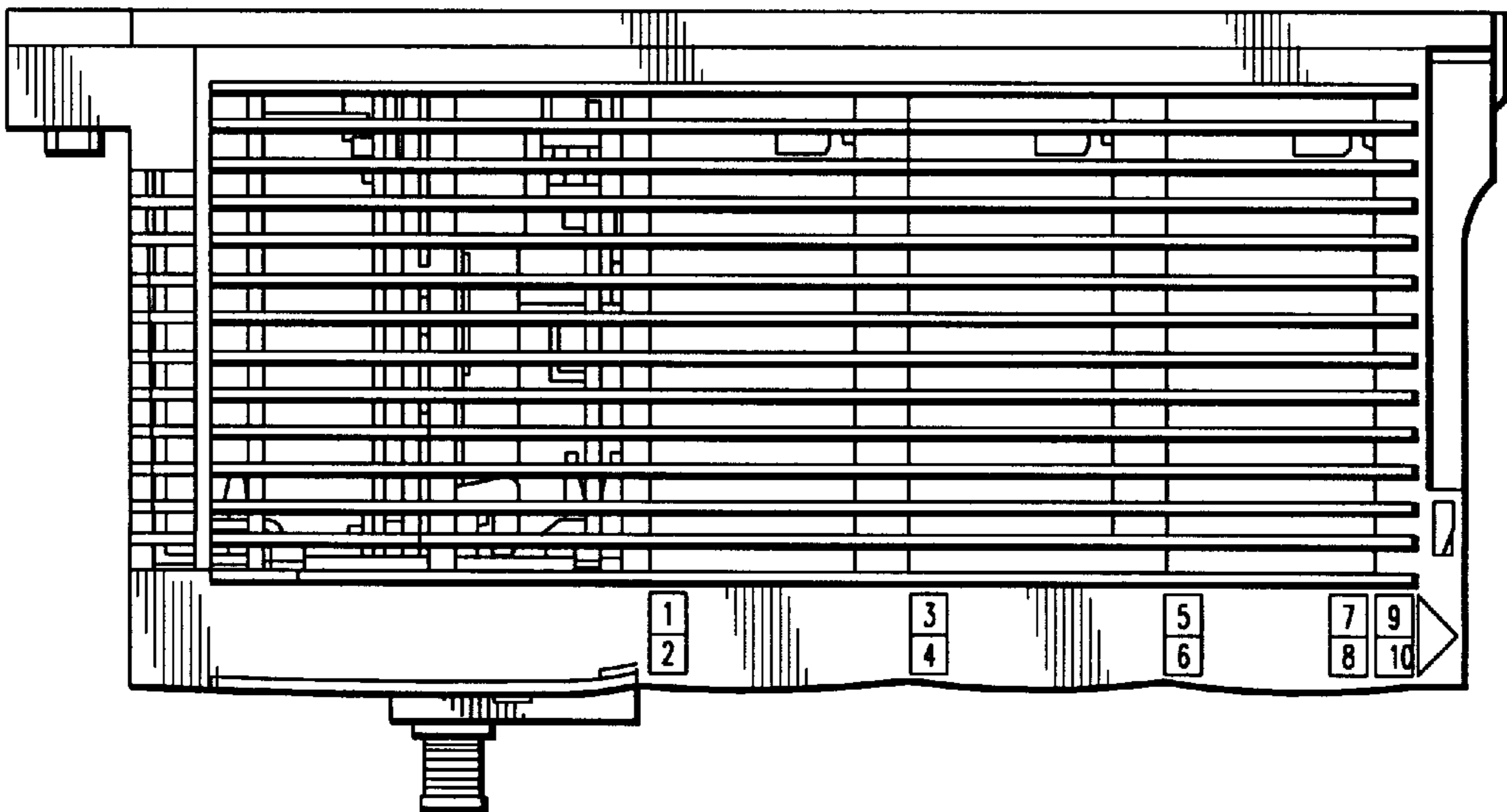
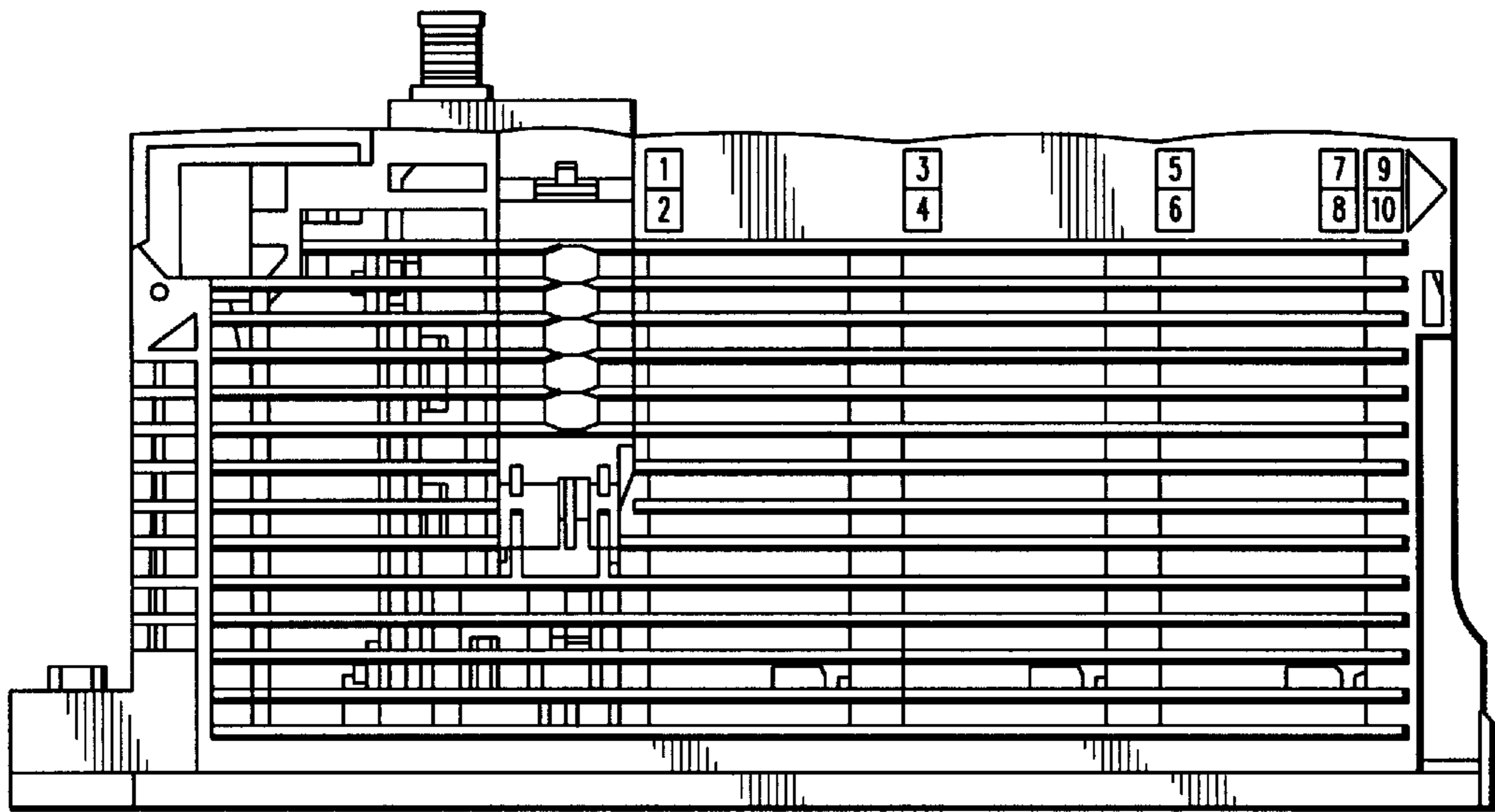
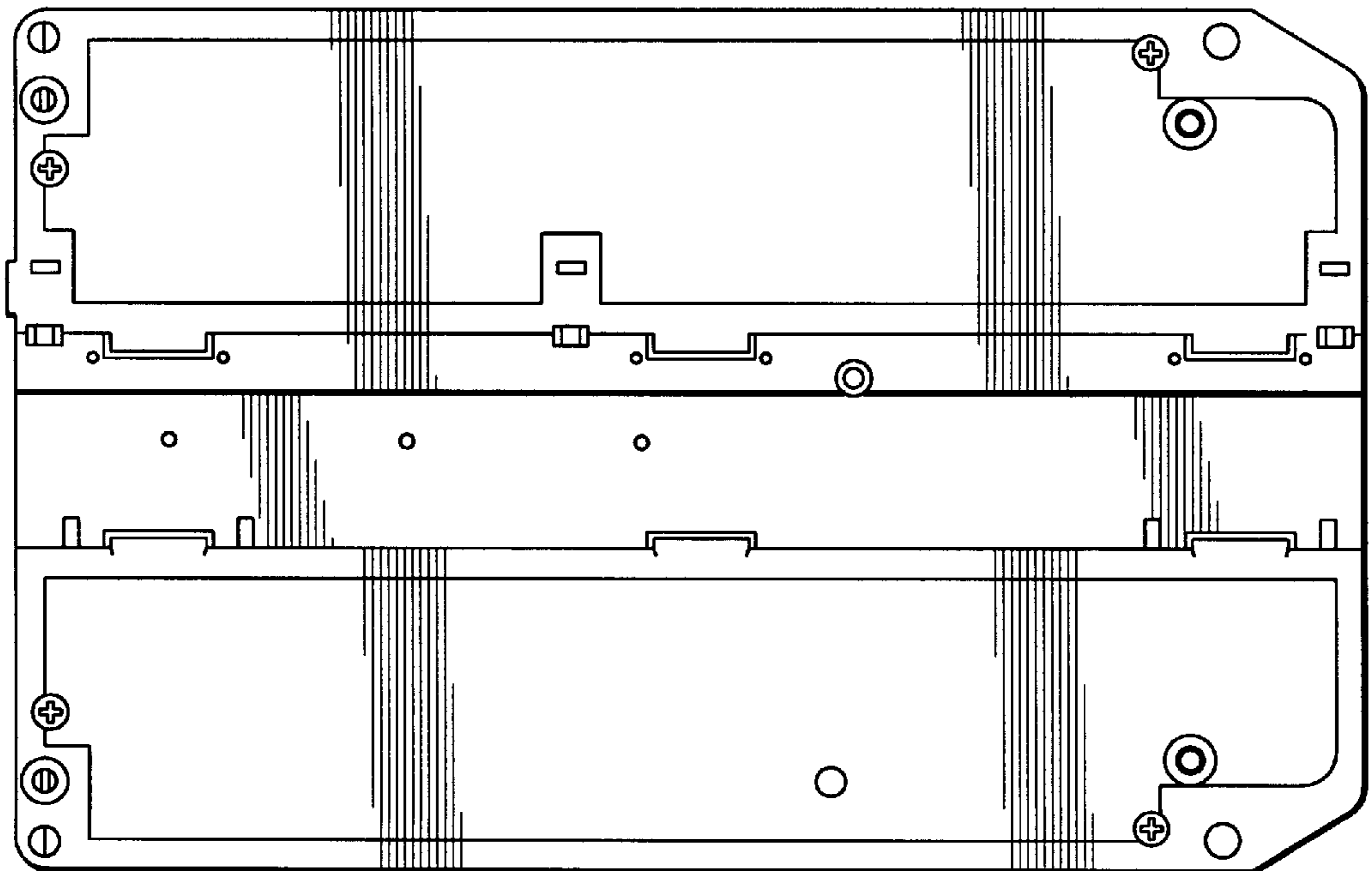


FIG. 6



*FIG. 7*



*FIG. 8*



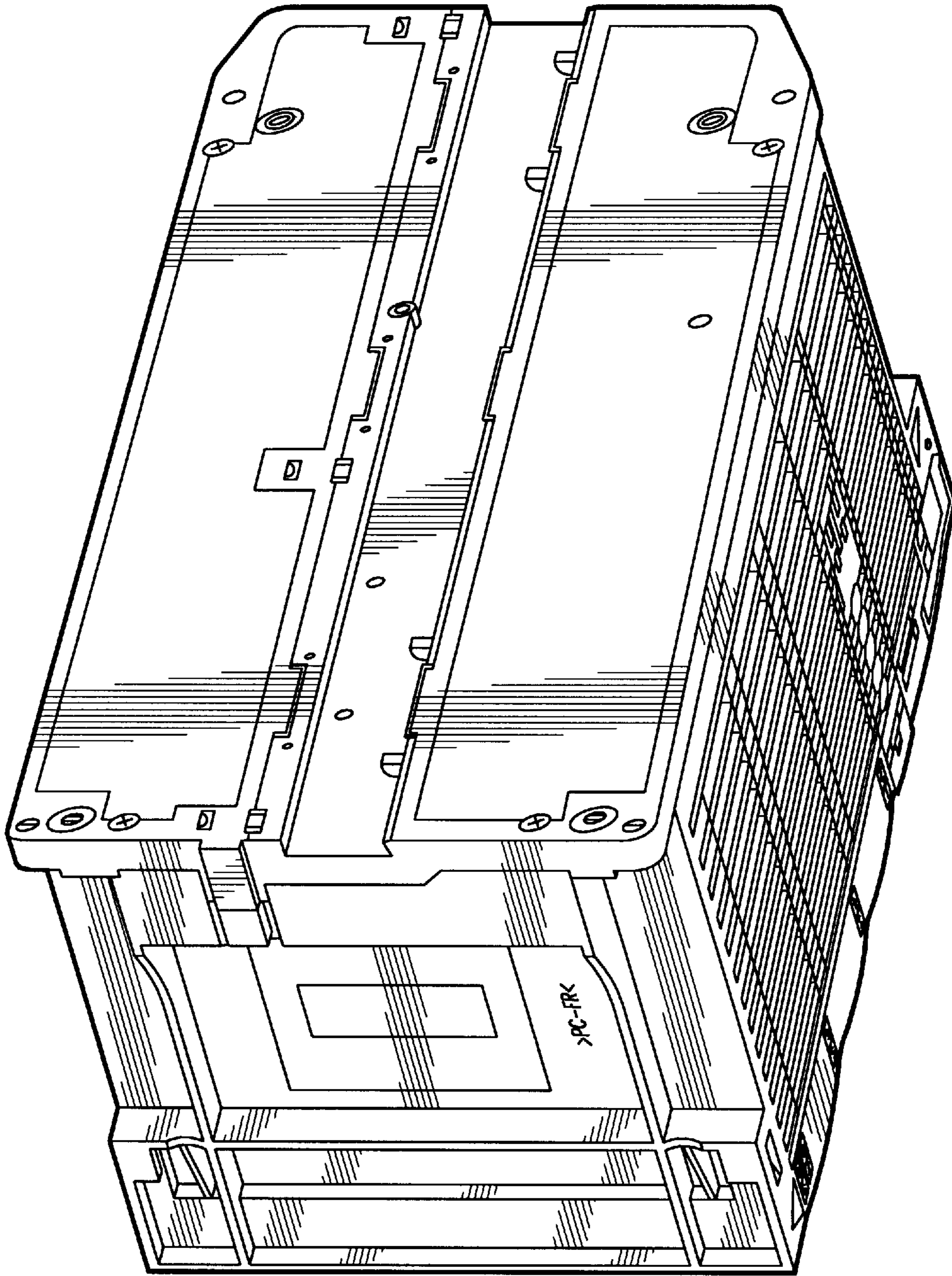


FIG. 9