



US00D400509S

United States Patent [19]
Brunelle

[11] **Patent Number: Des. 400,509**

[45] **Date of Patent: **Nov. 3, 1998**

[54] **PROGRAMMABLE LOGIC CONTROLLER**

D. 368,252 3/1996 Nakai D13/162
5,216,579 6/1993 Basara et al. 361/683
5,493,194 2/1996 Damiano et al. D13/162 X

[75] Inventor: **Hervé Brunelle**, Antibes, France

[73] Assignee: **AEG Schneider Automation**, Antibes, France

[**] Term: **14 Years**

Primary Examiner—Jeffrey Asch
Assistant Examiner—Cathron B. Matta
Attorney, Agent, or Firm—Oblon, Spivak, McClelland, Maier & Neustadt, P.C.

[21] Appl. No.: **54,861**

[57] **CLAIM**

[22] Filed: **May 23, 1996**

The ornamental design for a programmable logic controller, as shown and described.

[30] **Foreign Application Priority Data**

DESCRIPTION

Nov. 23, 1995 [FR] France 95 6491

FIG. 1 is a top, front and left side perspective view of programmable logic controller showing my new design; FIG. 2 is a front elevational view thereof; FIG. 3 is a rear elevational view thereof; FIG. 4 is a left side view thereof; FIG. 5 is a right side view thereof; FIG. 6 is a top plan view thereof; FIG. 7 is a bottom plan view thereof; and, FIG. 8 is a bottom, rear and right side perspective view thereof.

[51] **LOC (6) Cl.** **13-03**

[52] **U.S. Cl.** **D13/162**

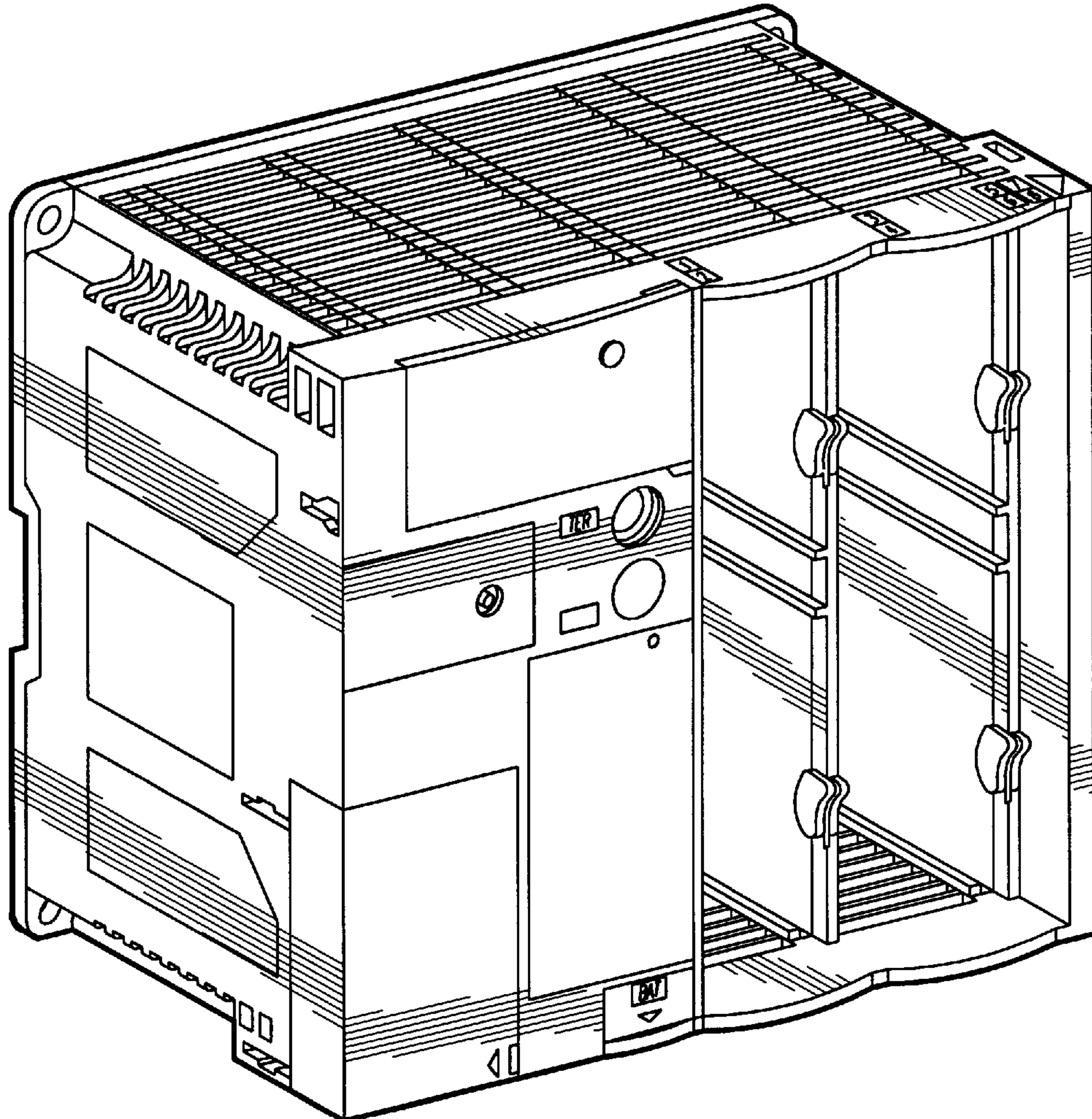
[58] **Field of Search** D13/158, 162-164, D13/184, 199, 177; 361/683.4, 686, 687, 733, 752

[56] **References Cited**

U.S. PATENT DOCUMENTS

D. 309,446 7/1990 Russell D13/162
D. 345,137 3/1994 Thomas D13/162 X

1 Claim, 5 Drawing Sheets



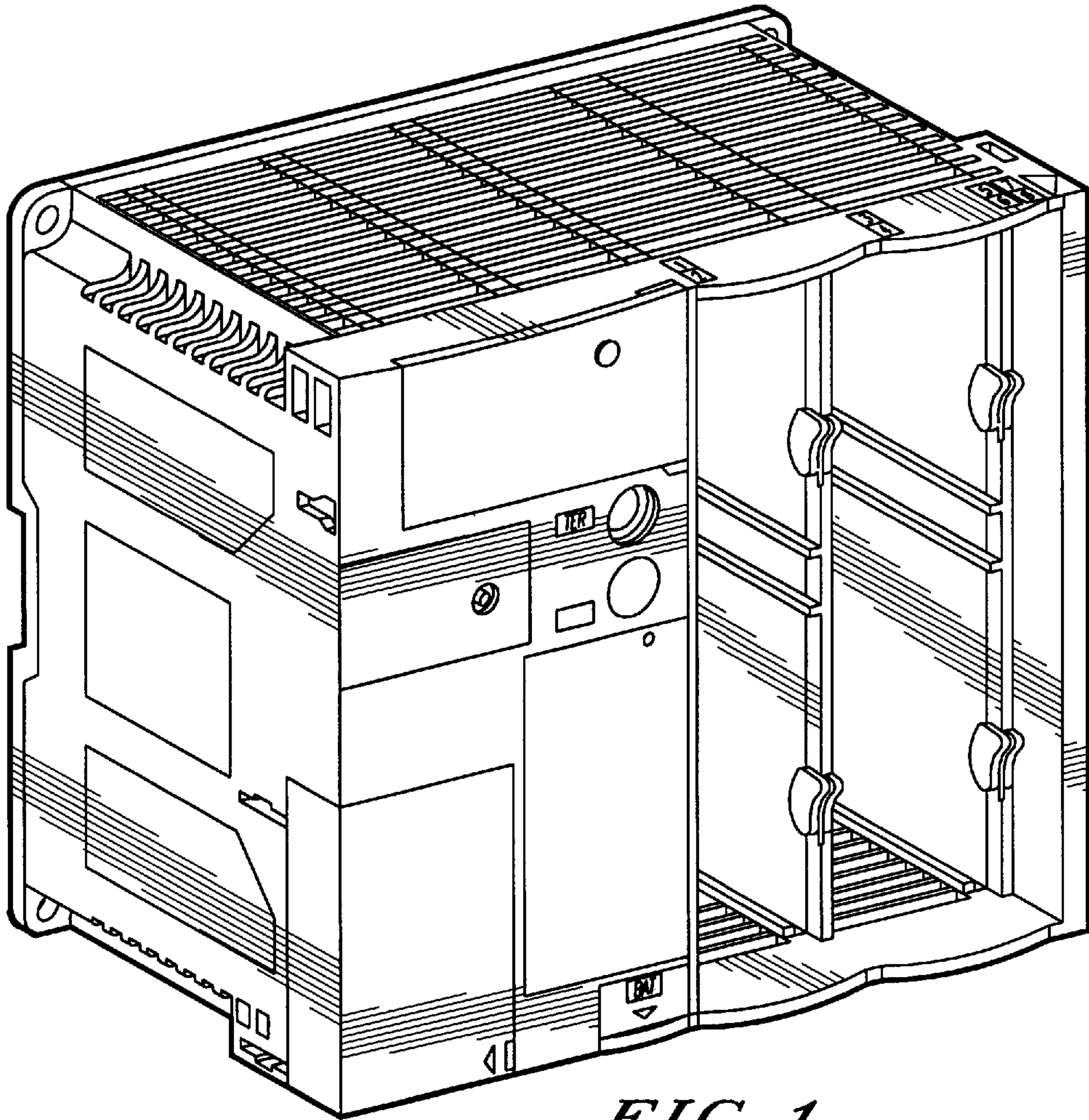


FIG. 1

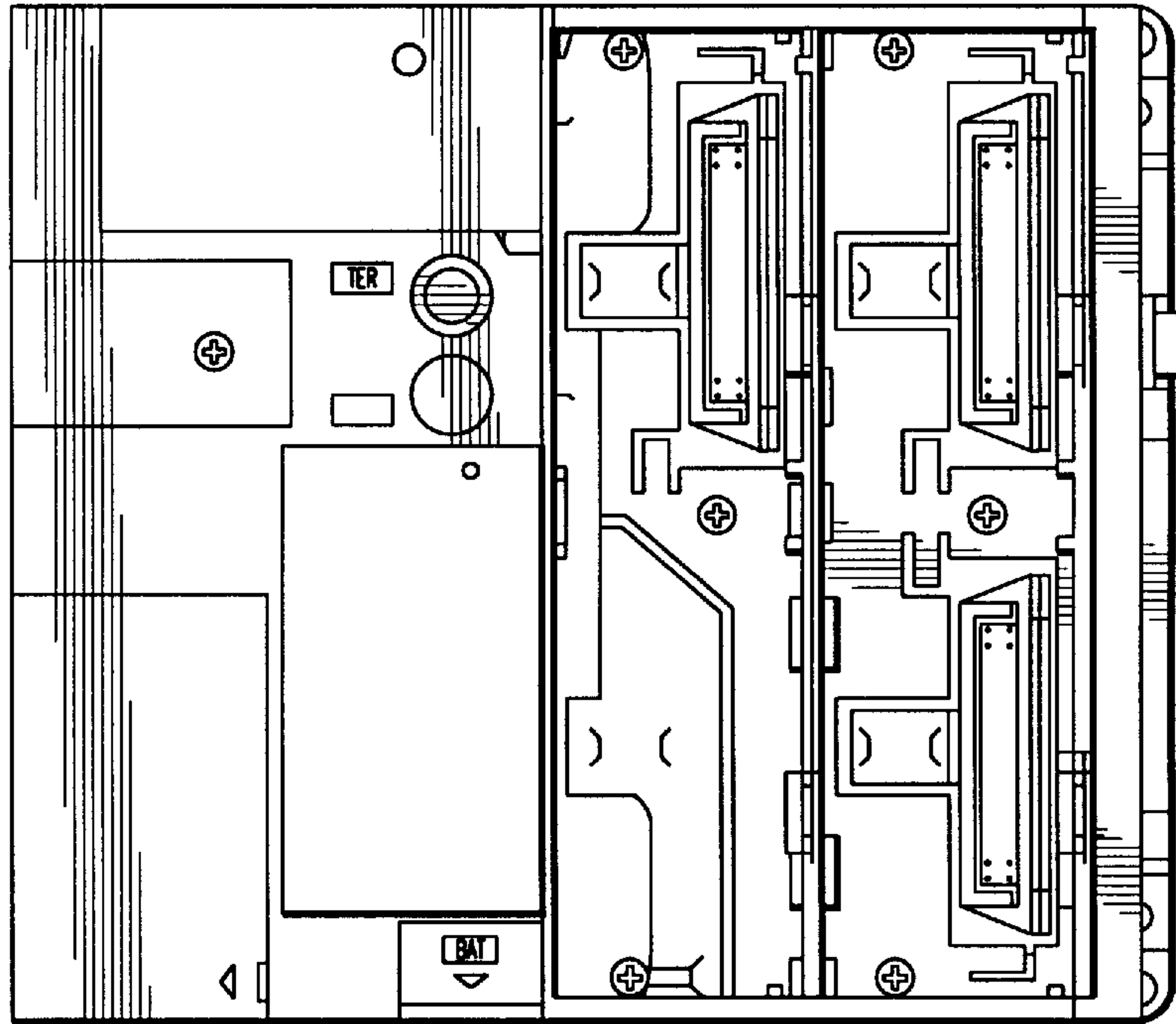


FIG. 2

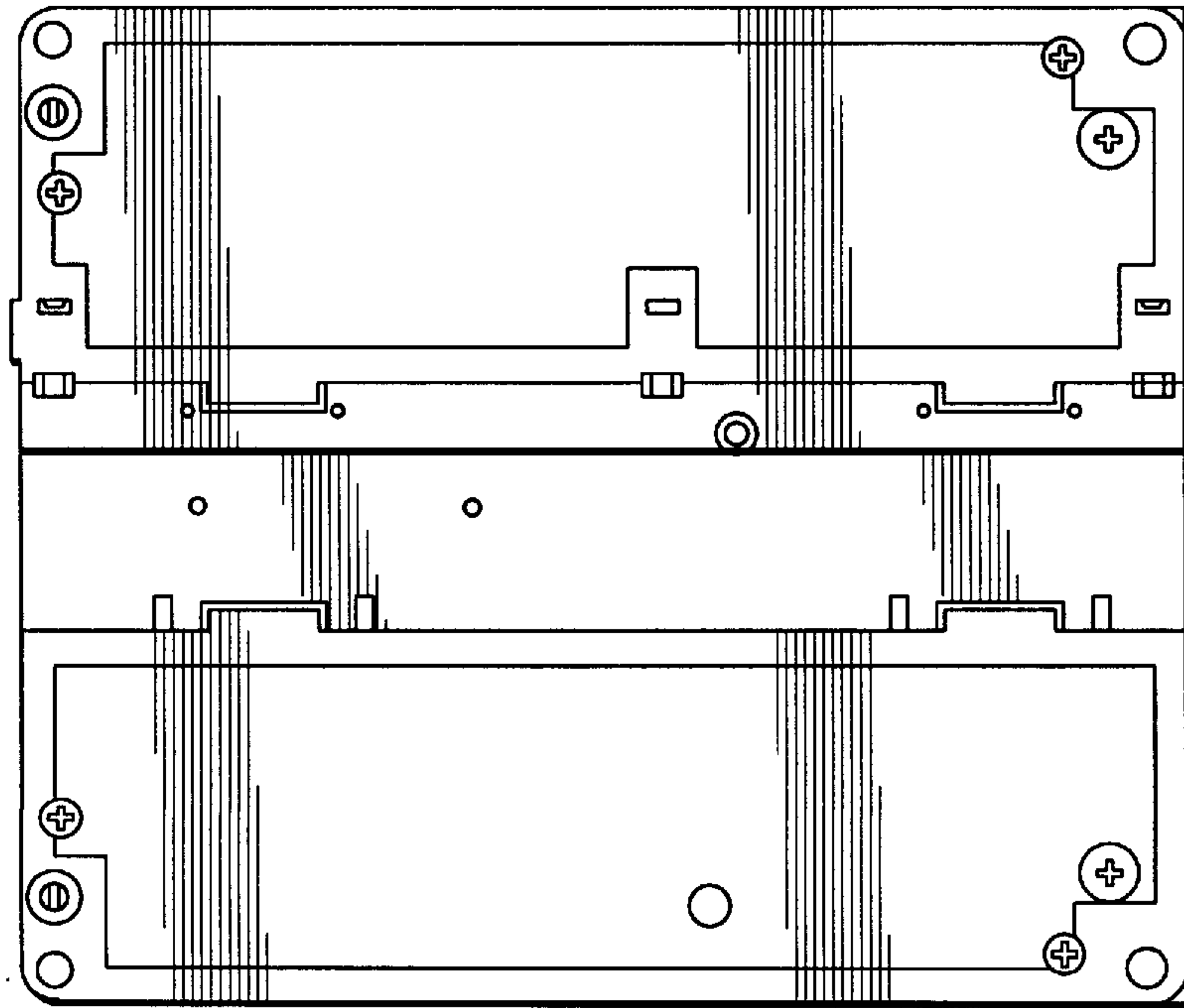


FIG. 3

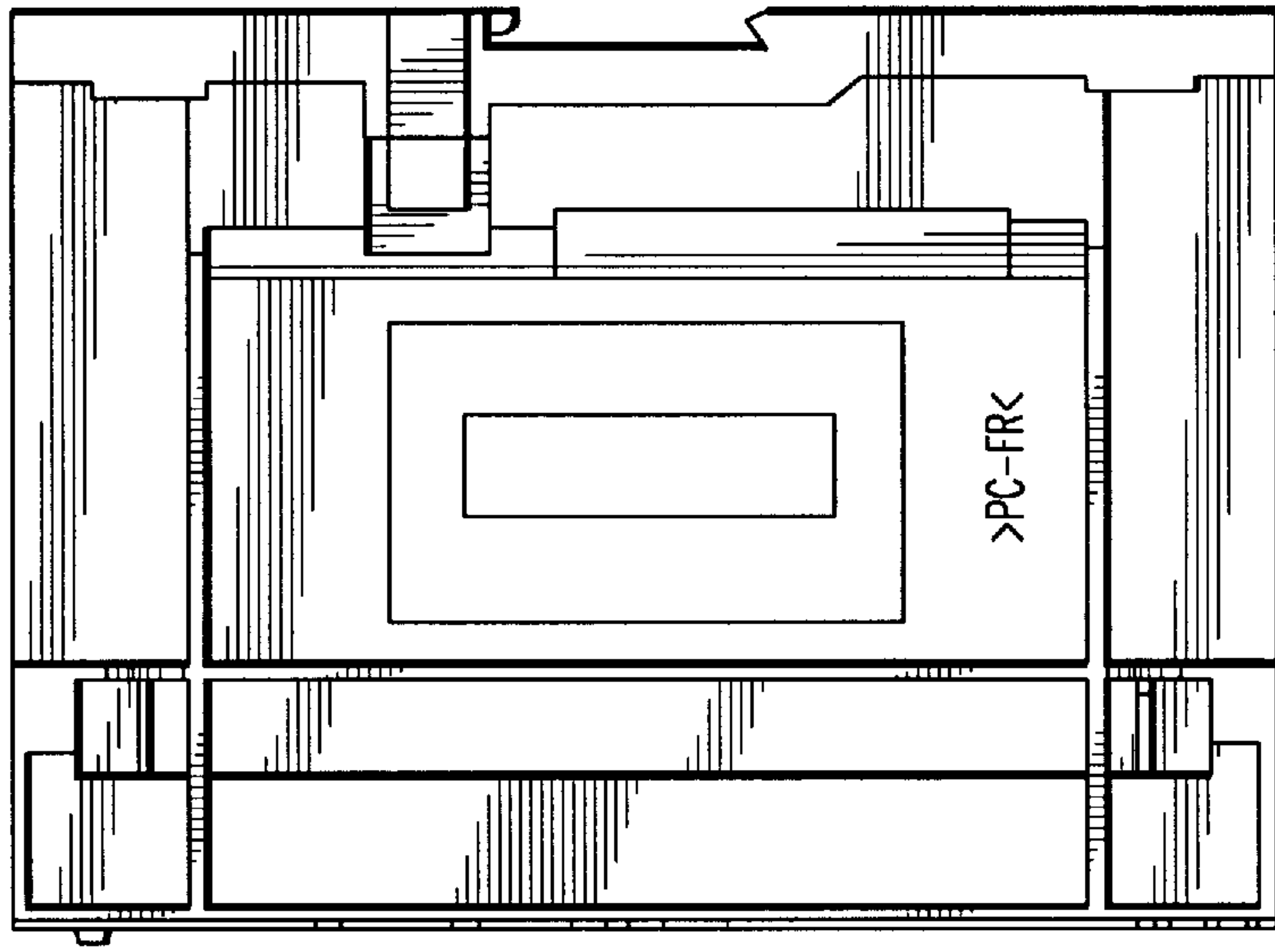


FIG. 5

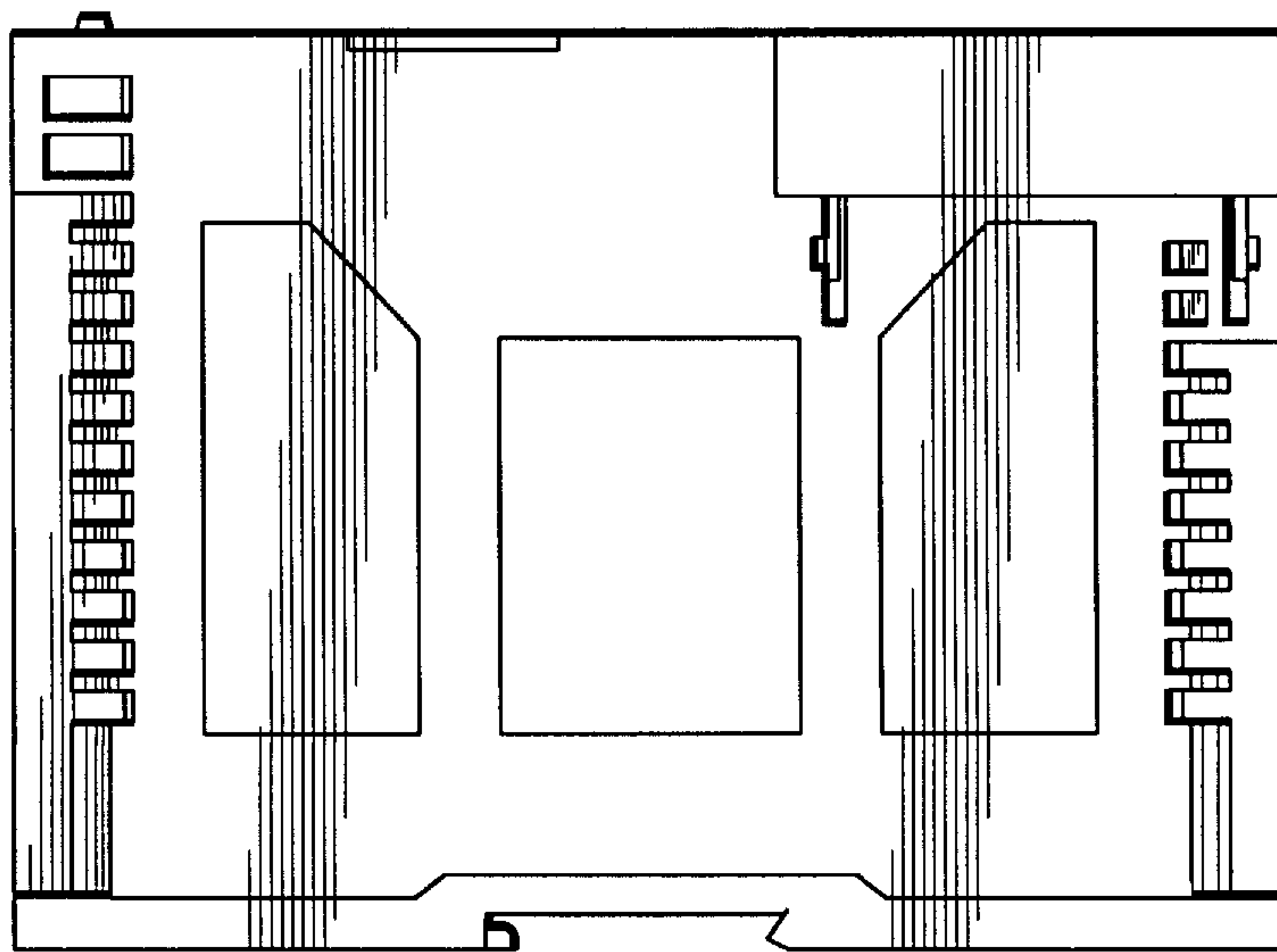


FIG. 4

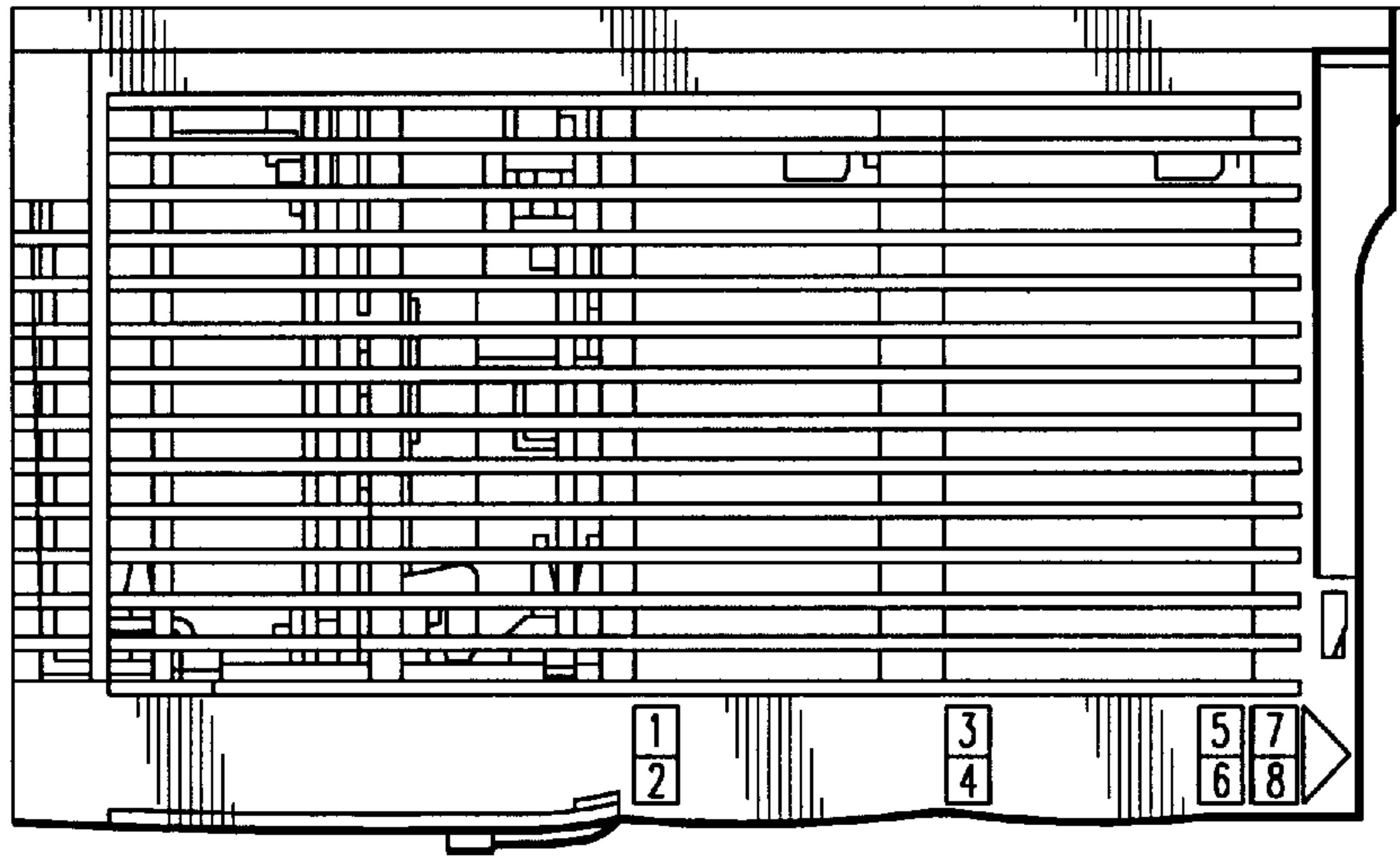


FIG. 6

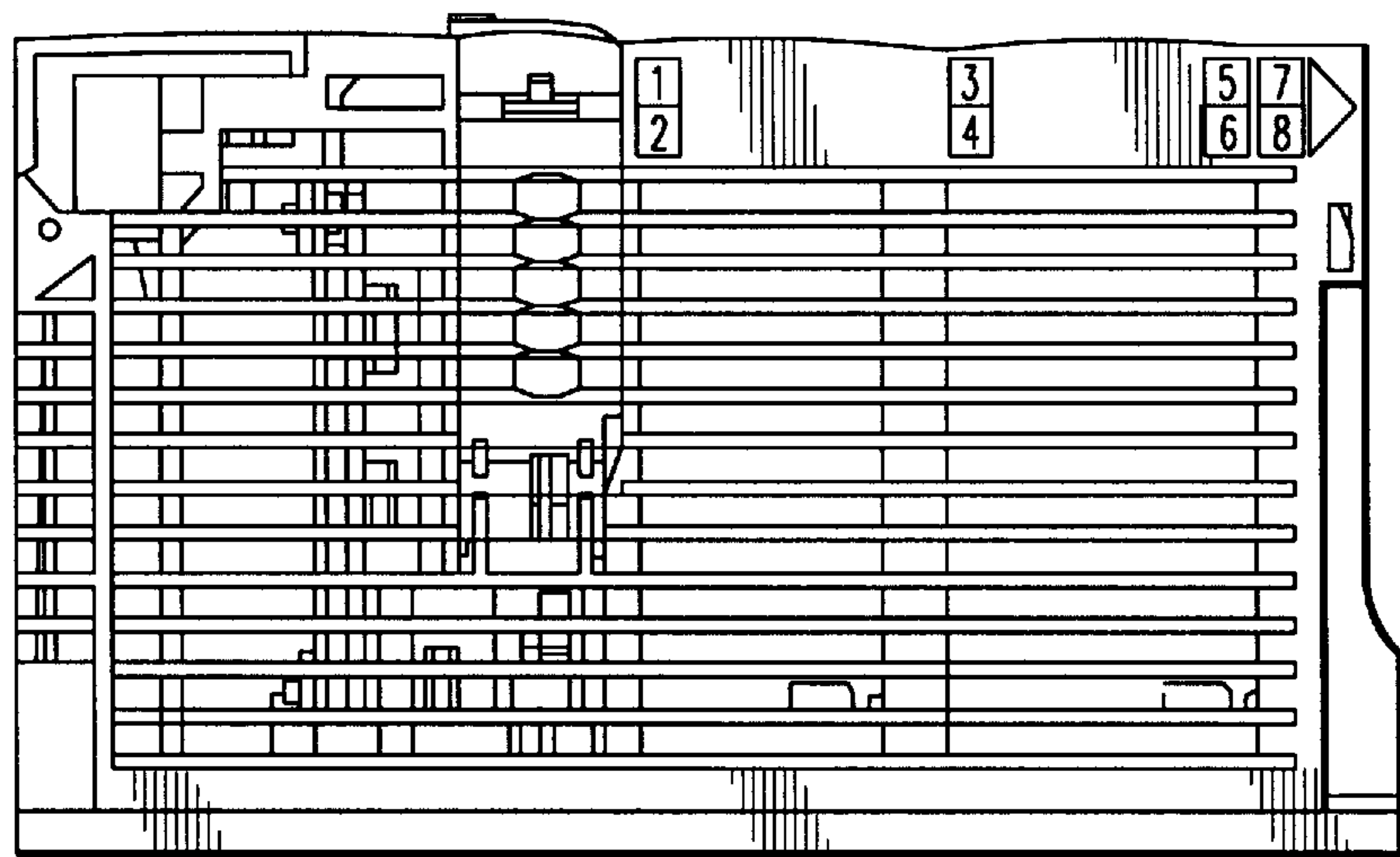


FIG. 7

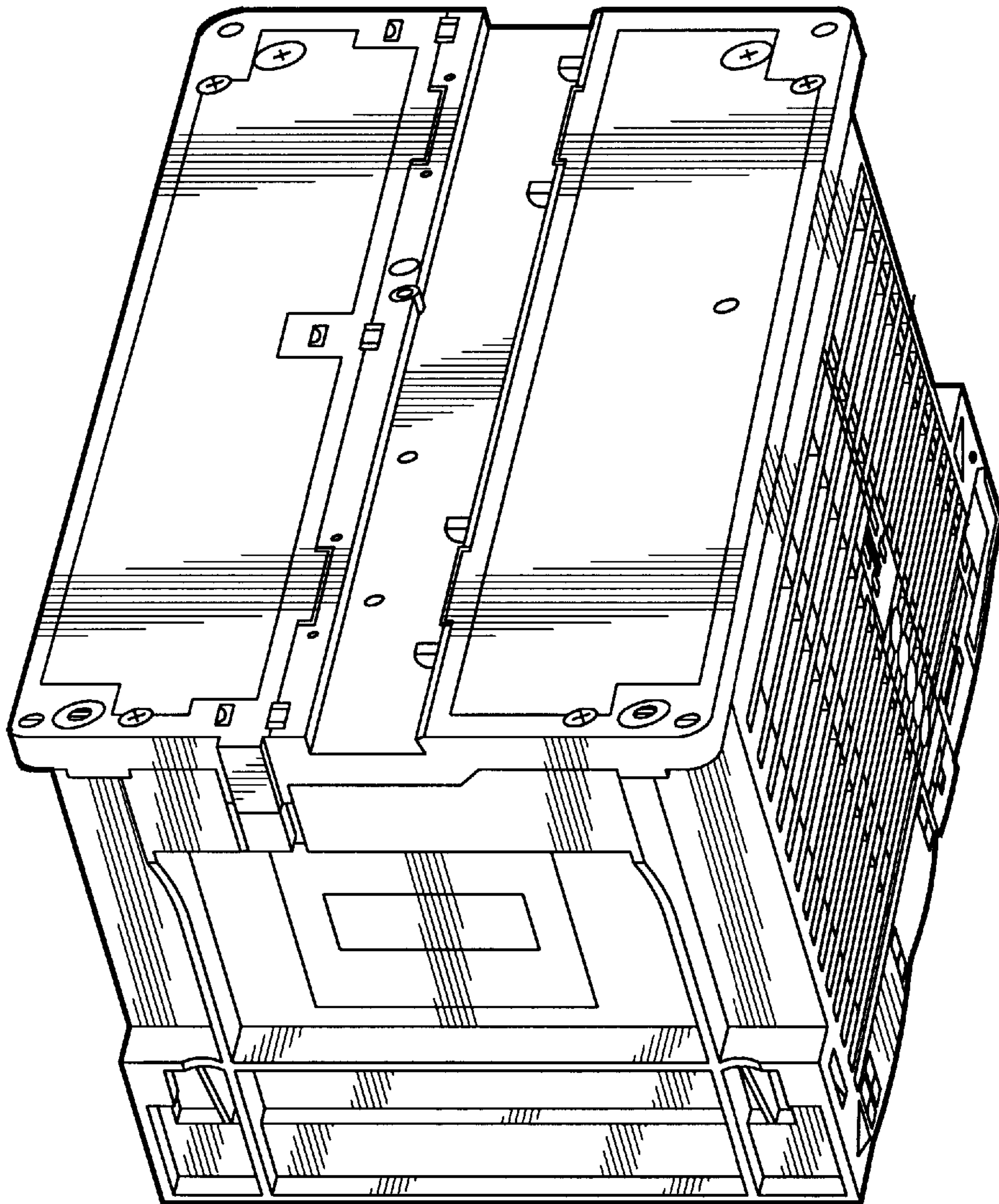


FIG. 8