



US00D400507S

United States Patent [19] Monaco

[11] **Patent Number: Des. 400,507**

[45] **Date of Patent: **Nov. 3, 1998**

[54] **OUTDOOR ELECTRIC OUTLET COVER**

[75] Inventor: **Garry A. Monaco**, Lakemoor, Ill.

[73] Assignee: **Intermatic Incorporated**, Spring Grove, Ill.

[**] Term: **14 Years**

[21] Appl. No.: **25,481**

[22] Filed: **Jun. 30, 1994**

[51] **LOC (6) Cl. 13-03**

[52] **U.S. Cl. D13/156**

[58] **Field of Search D13/154, 156;
439/135, 142, 892; 174/48, 66, 67; 220/242**

[56] **References Cited**

U.S. PATENT DOCUMENTS

D. 342,233	12/1993	Berlin et al.	D13/156
2,510,745	6/1950	Kilgore	174/48
2,526,606	10/1950	Gregg	174/67
2,880,264	3/1959	Ruskin	174/67
2,916,733	12/1959	Hirsch	340/280
3,200,989	8/1965	Hubbell	220/24.3
3,236,990	2/1966	Bates	200/168
3,252,611	5/1966	Weitzman et al.	220/24.3
3,288,910	11/1966	Zerwes	174/53
3,716,815	2/1973	Riches	339/44
4,109,095	8/1978	Kling et al.	174/67
4,135,337	1/1979	Medlin	52/221
4,197,959	4/1980	Kramer	220/242
4,265,365	5/1981	Boteler	220/3.3
4,342,493	8/1982	Grenell	339/44
4,381,063	4/1983	Leong	220/242
4,424,407	1/1984	Barbic	174/67
4,500,008	2/1985	Cook	220/242
4,505,403	3/1985	Bowden, Jr. et al.	220/242
4,603,932	8/1986	Heverly	339/39

4,605,817	8/1986	Lopez	174/67
4,733,330	3/1988	Tanaka et al.	361/356
4,803,307	2/1989	Shotey	174/67
4,874,906	10/1989	Shotey	174/67
4,915,638	4/1990	Domian	439/142
4,988,832	1/1991	Shotey	174/67
5,045,640	9/1991	Riceman	174/67
5,228,584	7/1993	Williams, Jr.	174/67 X
5,280,135	1/1994	Berlin et al.	174/67

OTHER PUBLICATIONS

Outlet cover on p. 27 of *New Equipment Digest*, Apr. 1993.

Primary Examiner—Joel Sincavage

Attorney, Agent, or Firm—Brinks Hofer Gilson & Lione

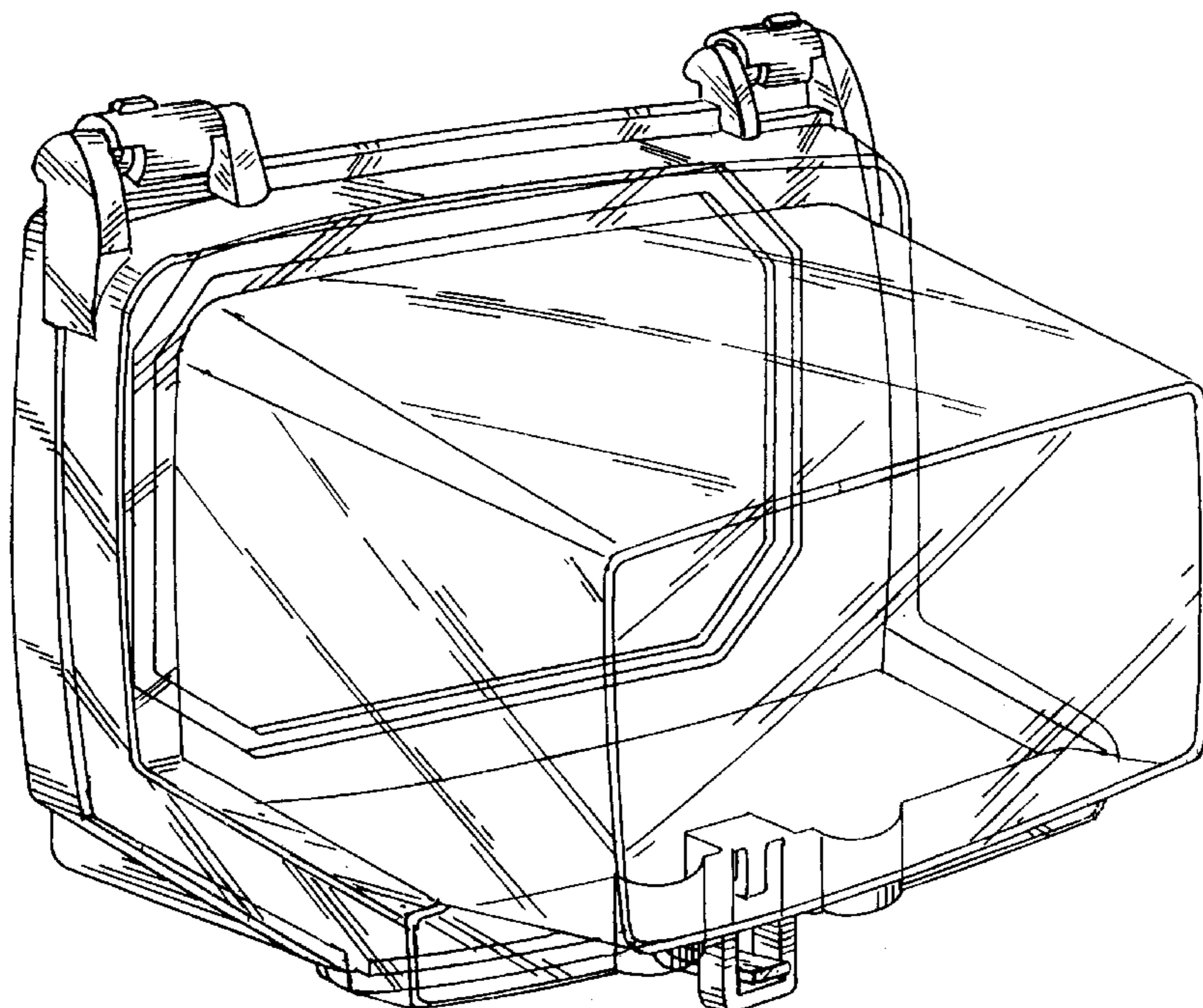
[57] **CLAIM**

I claim the ornamental design for an outdoor electrical outlet cover, as shown.

DESCRIPTION

FIG. 1 is a front perspective view showing my new design; FIG. 2 is a side view thereof, the opposite side view being a mirror image; FIG. 3 is a front view thereof; FIG. 4 is a rear view thereof; FIG. 5 is a top view thereof; FIG. 6 is a bottom view thereof; FIG. 7 is a front perspective view showing a second embodiment of my design; FIG. 8 is a side view of the embodiment shown in FIG. 7, the opposite side view being a mirror image; FIG. 9 is a front view of the embodiment shown in FIG. 7; FIG. 10 is a rear view of the embodiment shown in FIG. 7; FIG. 11 is a bottom view of the embodiment shown in FIG. 7; and, FIG. 12 is a top view of the embodiment shown in FIG. 7.

1 Claim, 6 Drawing Sheets



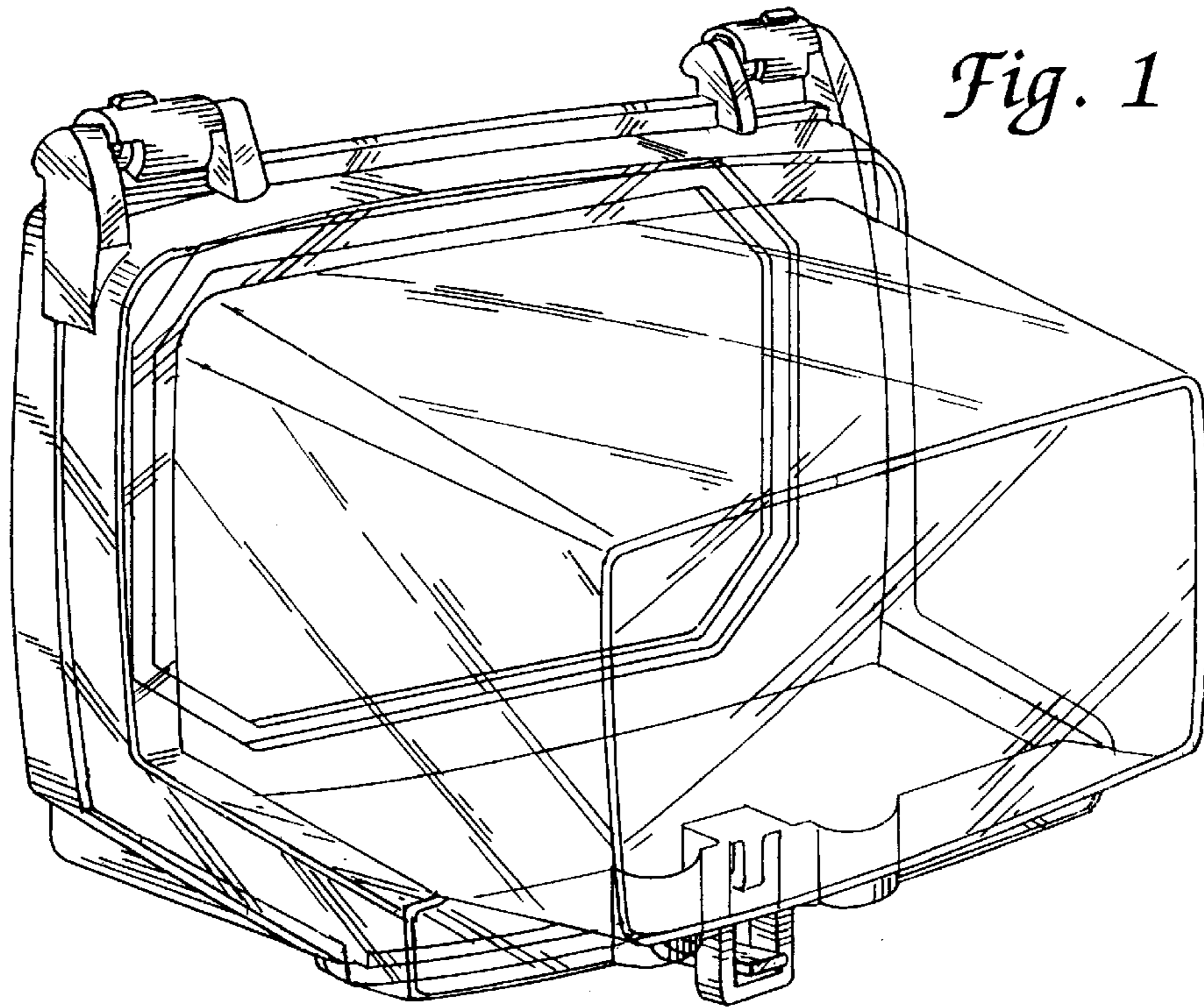


Fig. 1

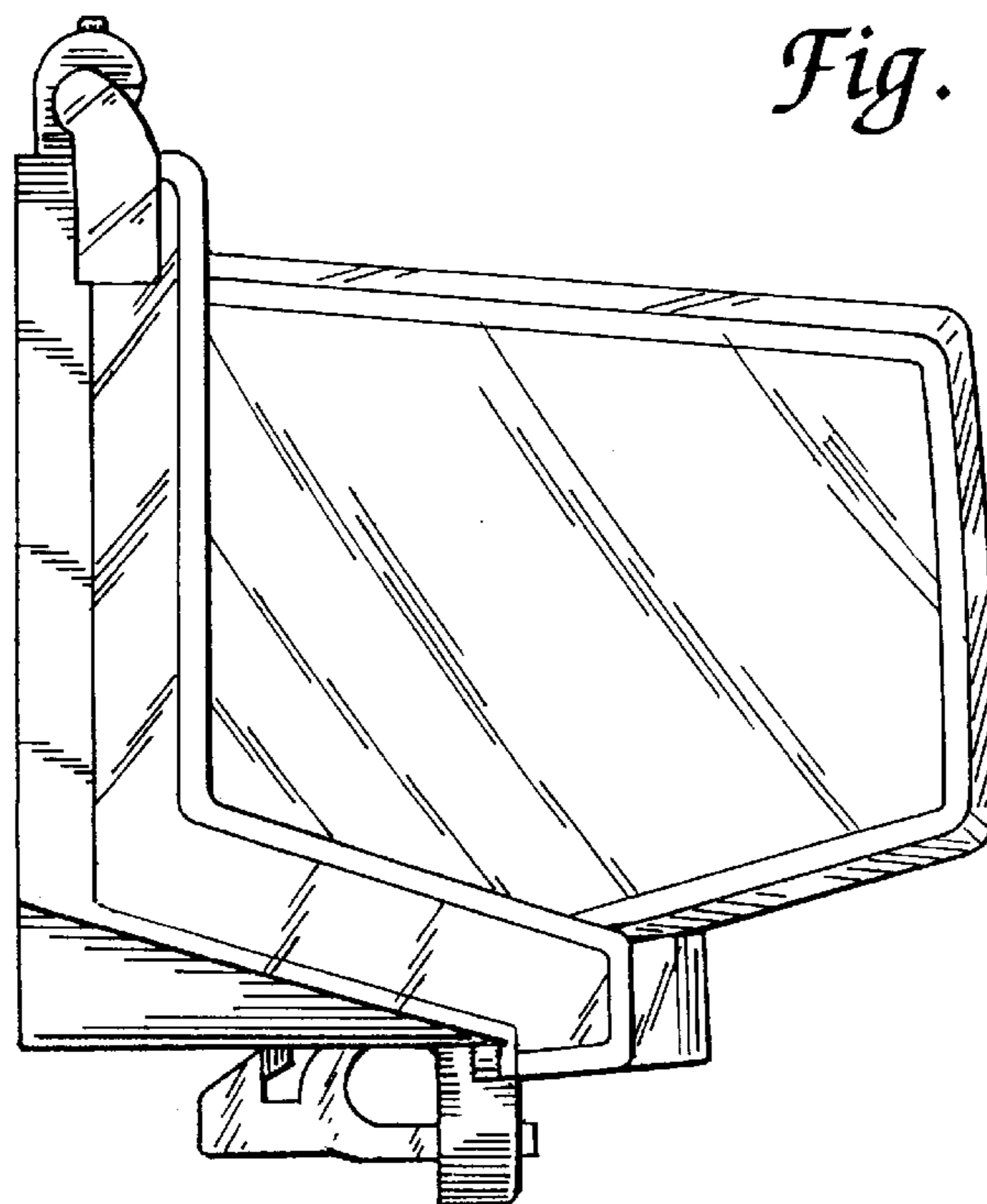


Fig. 2

Fig. 3

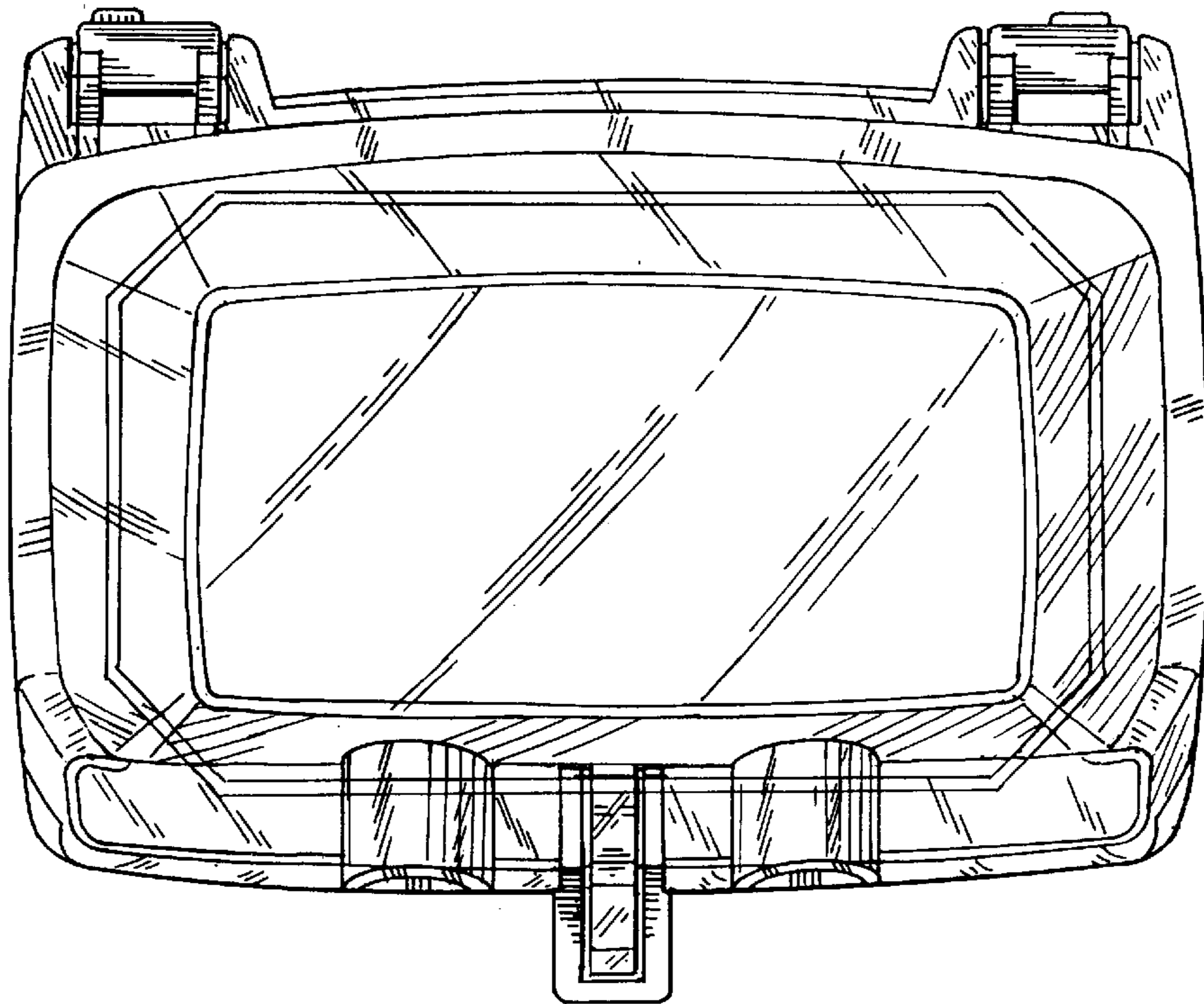


Fig. 4

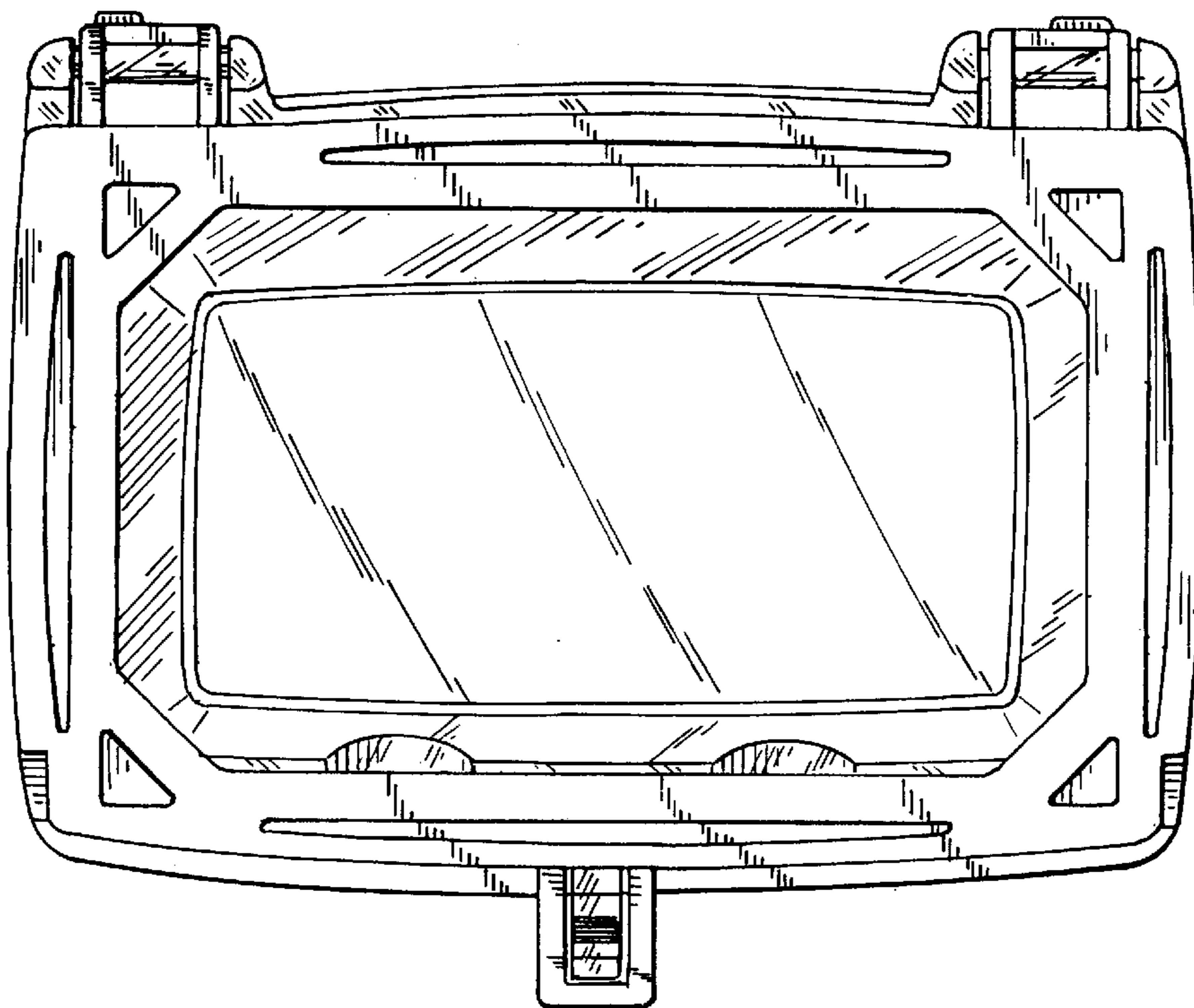


Fig. 5

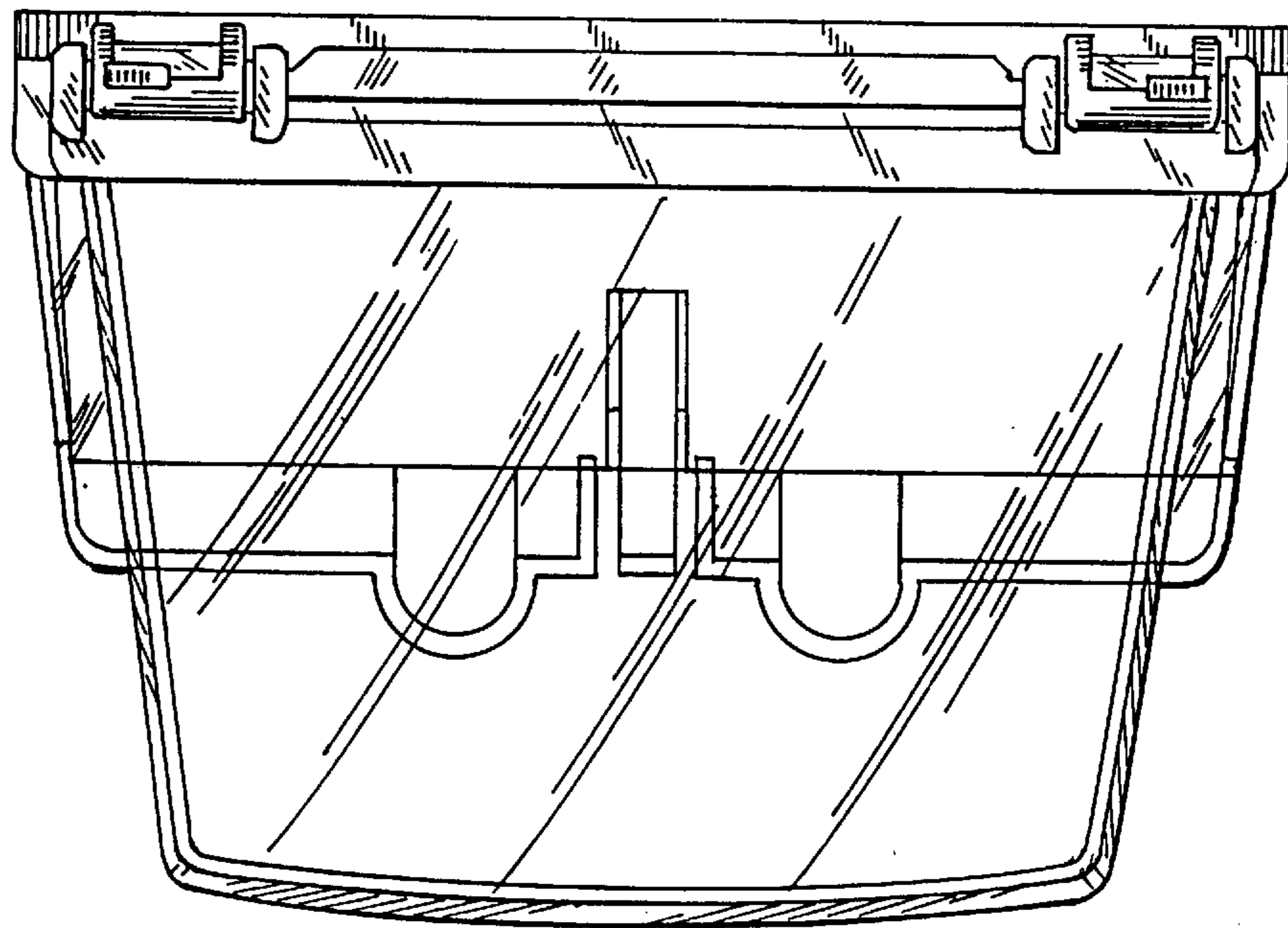


Fig. 6

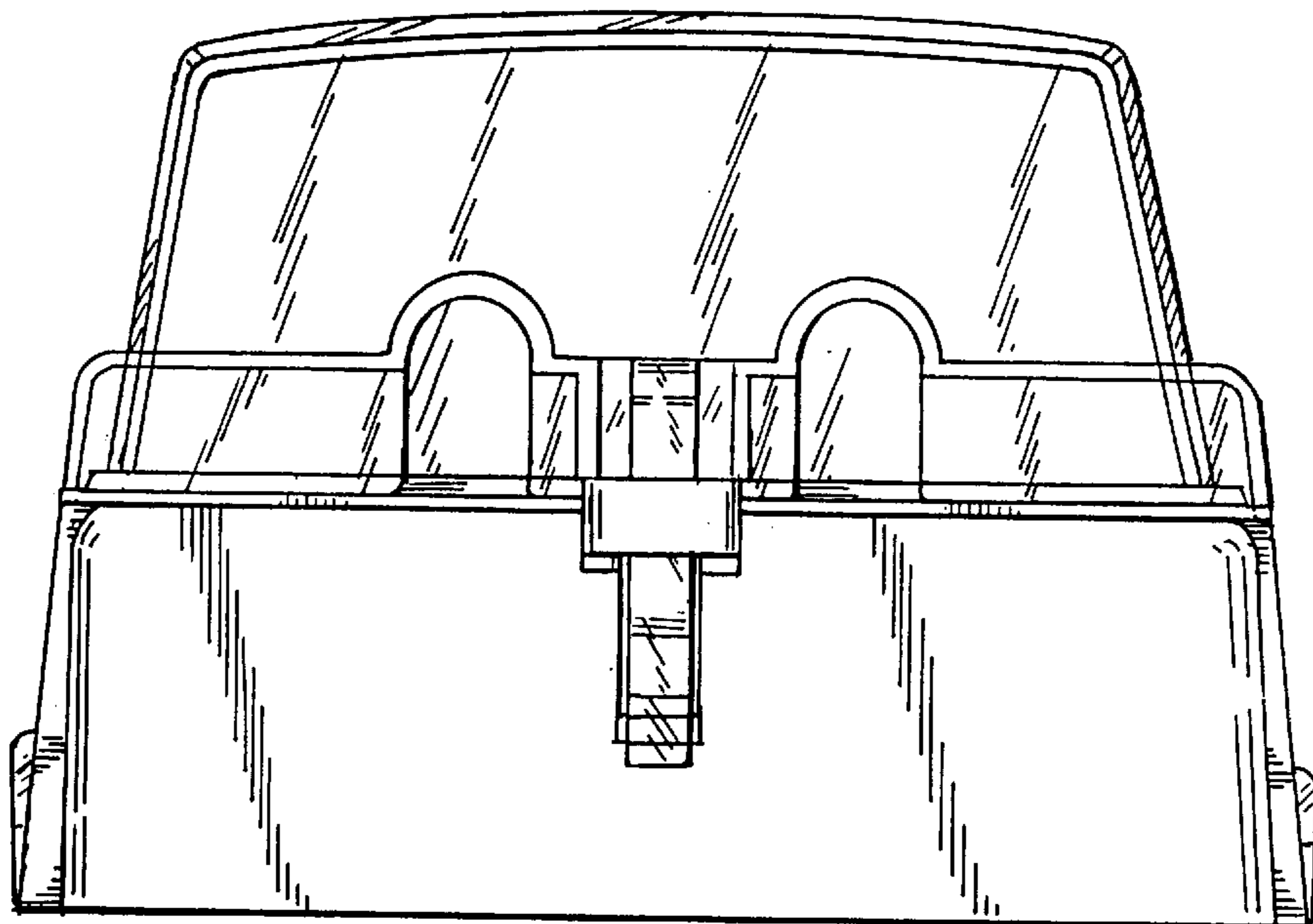


Fig. 7

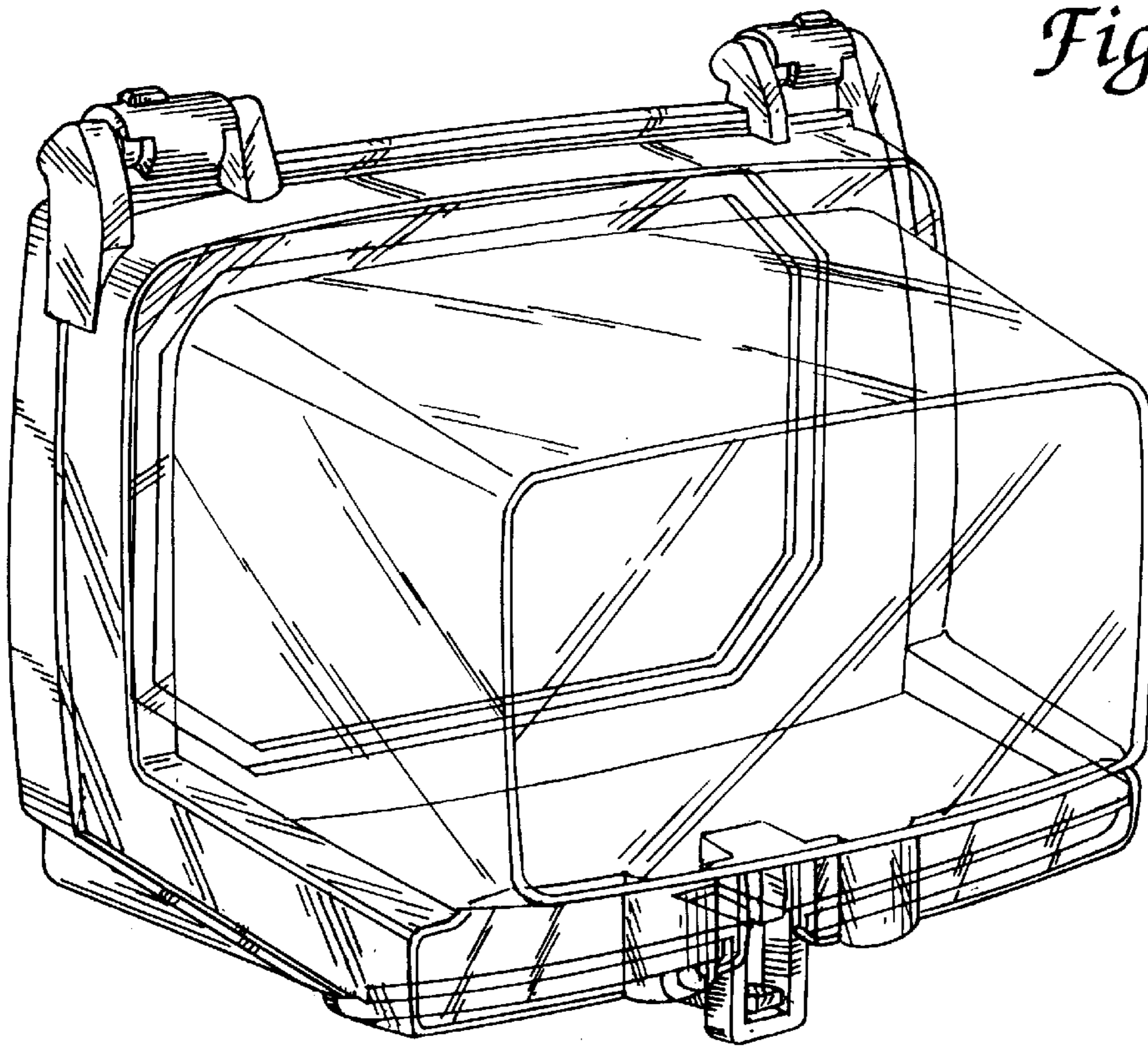


Fig. 8

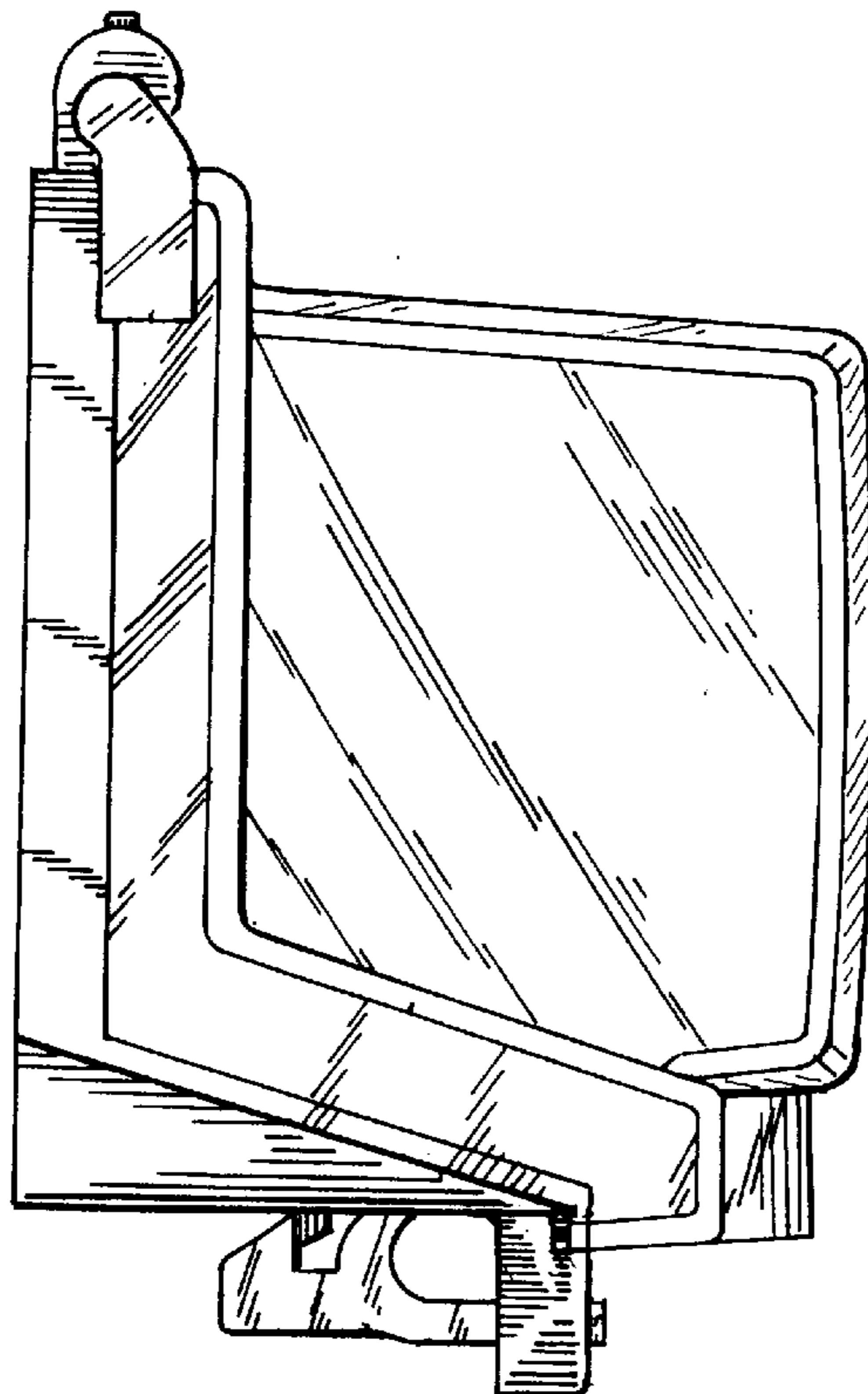


Fig. 9

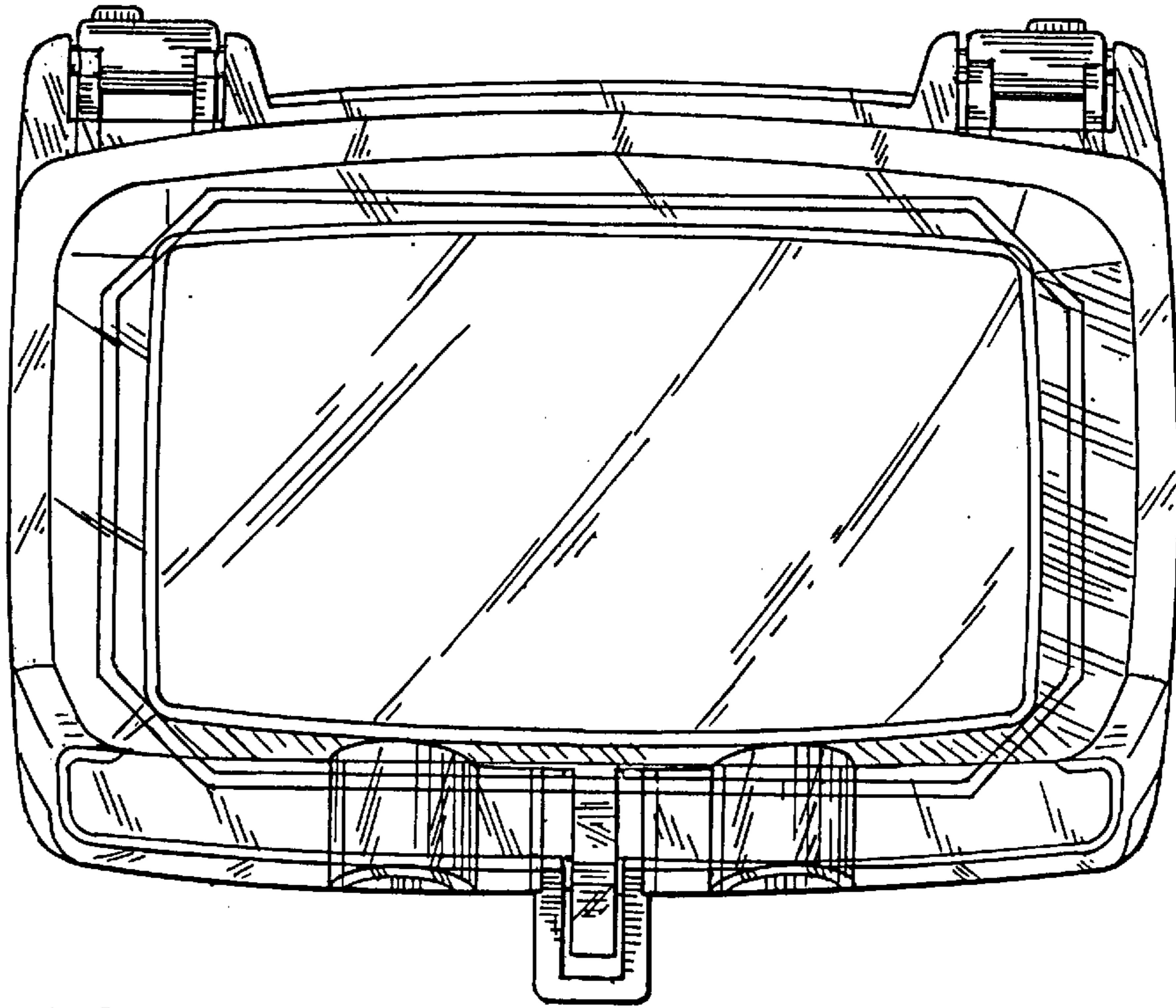


Fig. 10

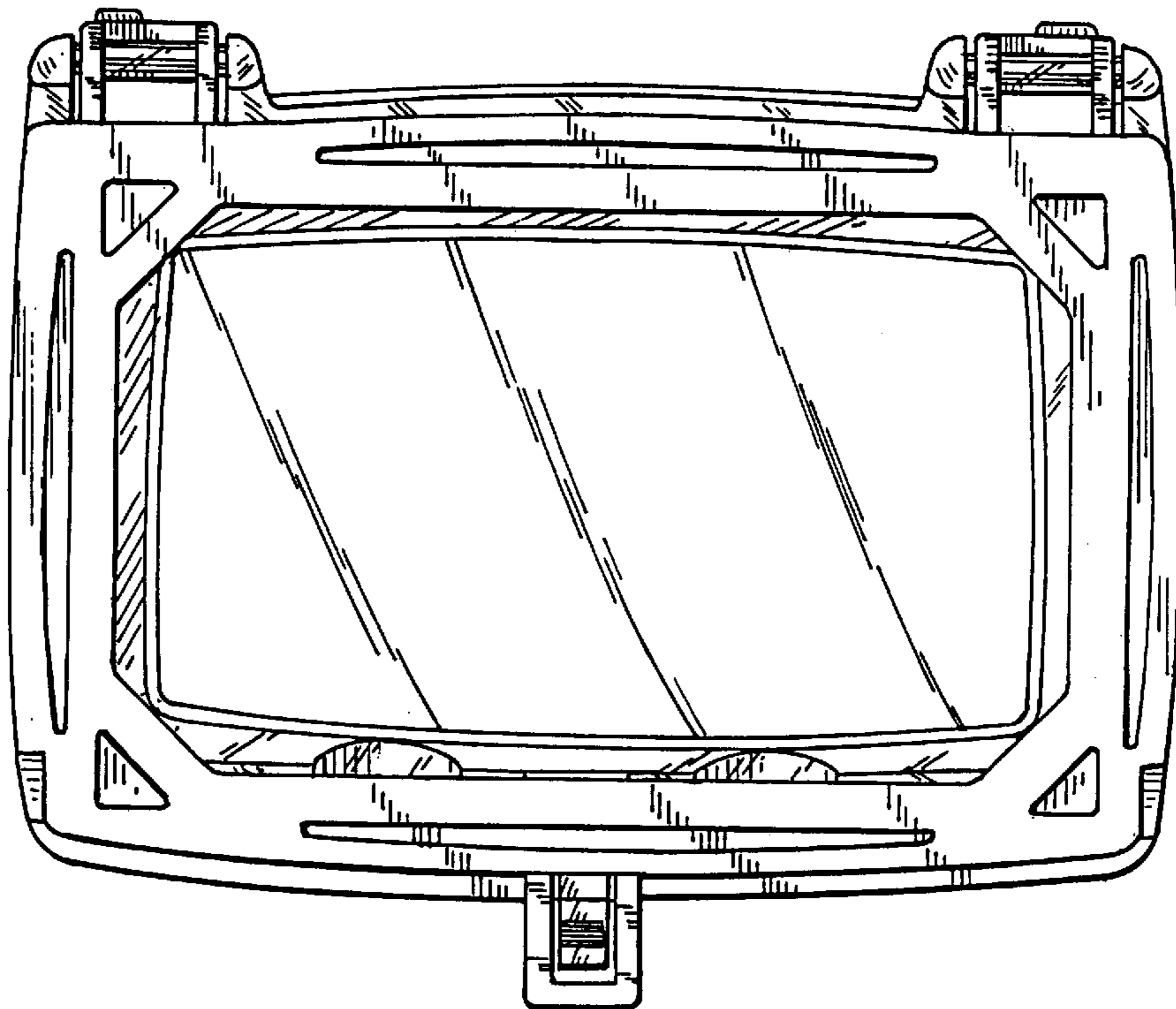


Fig. 12

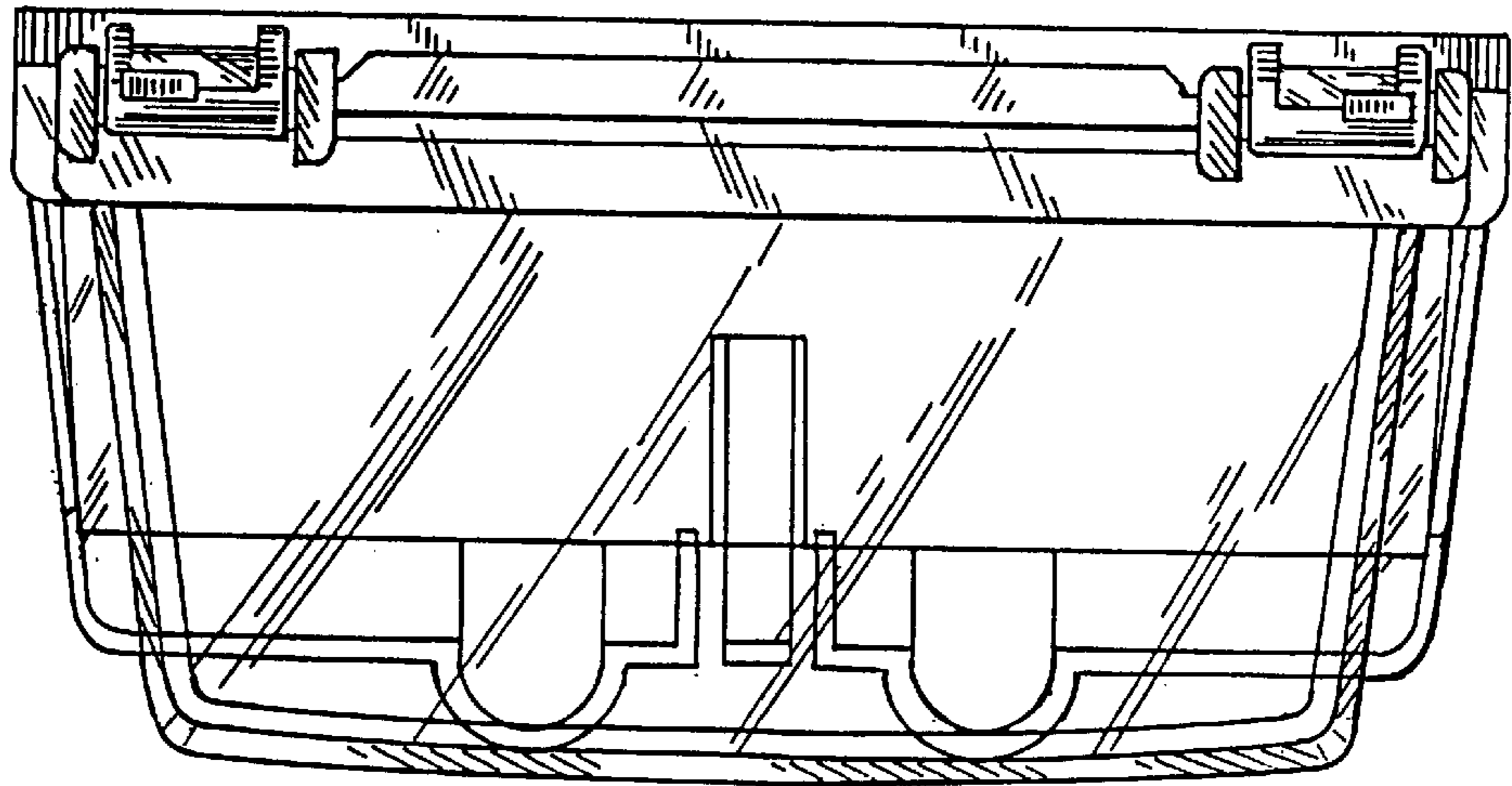


Fig. 11

