



US00D400506S

United States Patent [19]
Mahoney

[11] **Patent Number: Des. 400,506**

[45] **Date of Patent: **Nov. 3, 1998**

[54] **CABLE TELEVISION DROP AMPLIFIER**

[75] Inventor: **William G. Mahoney**, Duluth, Ga.

[73] Assignee: **Scientific-Atlanta, Inc.**, Norcross, Ga.

[**] Term: **14 Years**

[21] Appl. No.: **72,854**

[22] Filed: **Jun. 25, 1997**

[51] **LOC (6) Cl. 13-03**

[52] **U.S. Cl. D13/146; D13/151**

[58] **Field of Search** D13/133, 146,
D13/147, 151; D14/217, 230; 307/113;
333/100, 112, 124; 348/5.5; 380/52; 455/3.1;
439/535, 540.1, 578-585, 784, 796-798;
174/59-60

[56] **References Cited**

U.S. PATENT DOCUMENTS

D. 301,243 5/1989 Chino D13/146 X

OTHER PUBLICATIONS

Radio Shack®, Catalog No. 354, VTR/TV/FM Switch—
item F at the top of p. 88, ©1982.

Primary Examiner—Alan P. Douglas

Assistant Examiner—Lavone D. Tabor
Attorney, Agent, or Firm—Kelly A. Gardner; Kenneth M.
Massaroni; Hubert J. Barnhardt, III

[57] **CLAIM**

The ornamental design for a cable television drop amplifier,
as shown and described.

DESCRIPTION

FIG. 1 is a perspective view of the top, front and left side of
a power distribution unit according to the new design;

FIG. 2 is a top plan view thereof;

FIG. 3 is a bottom plan view thereof;

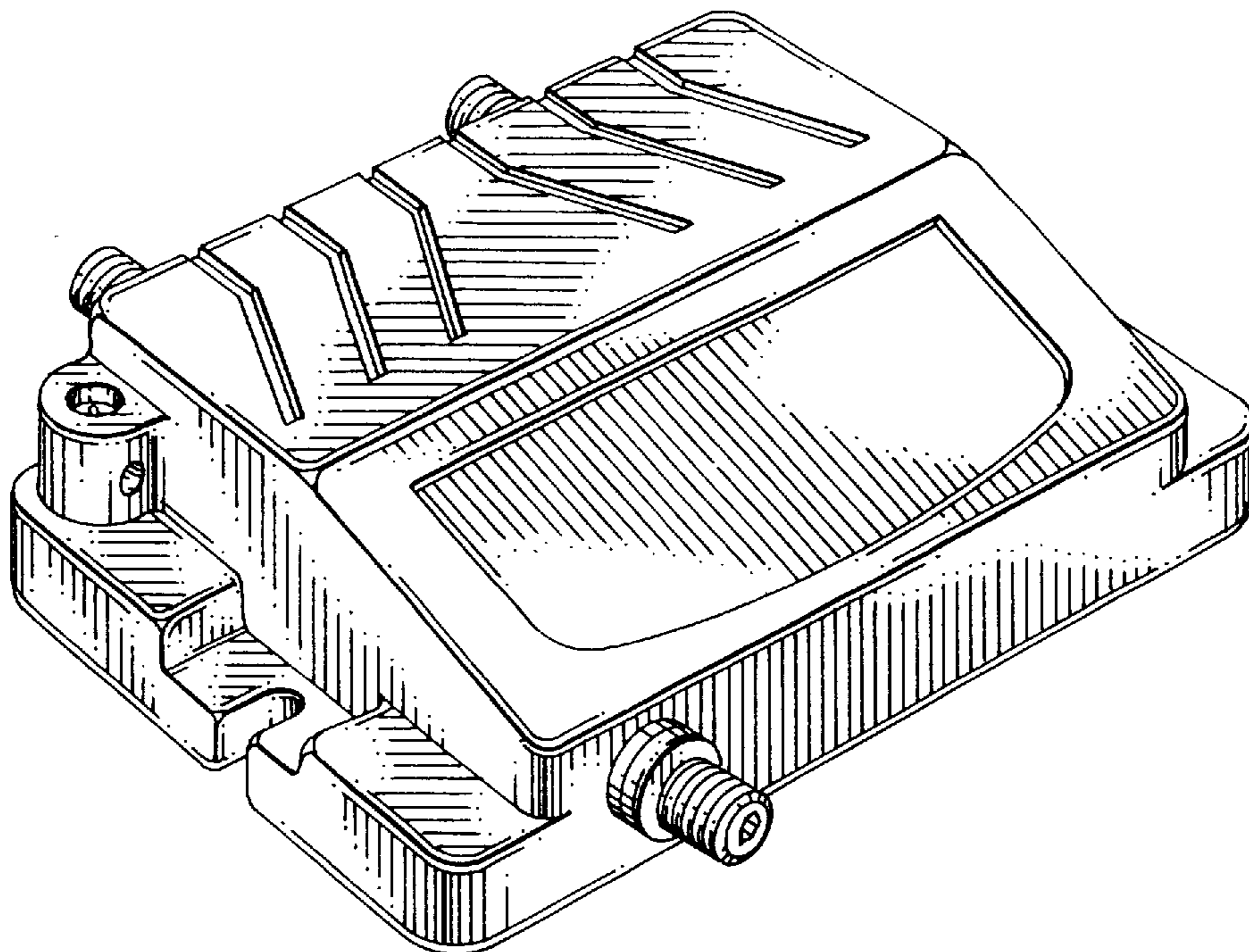
FIG. 4 is a front elevation view thereof;

FIG. 5 is a rear elevation view thereof;

FIG. 6 is a left side elevation view thereof; and,

FIG. 7 is a right side elevation view thereof.

1 Claim, 2 Drawing Sheets



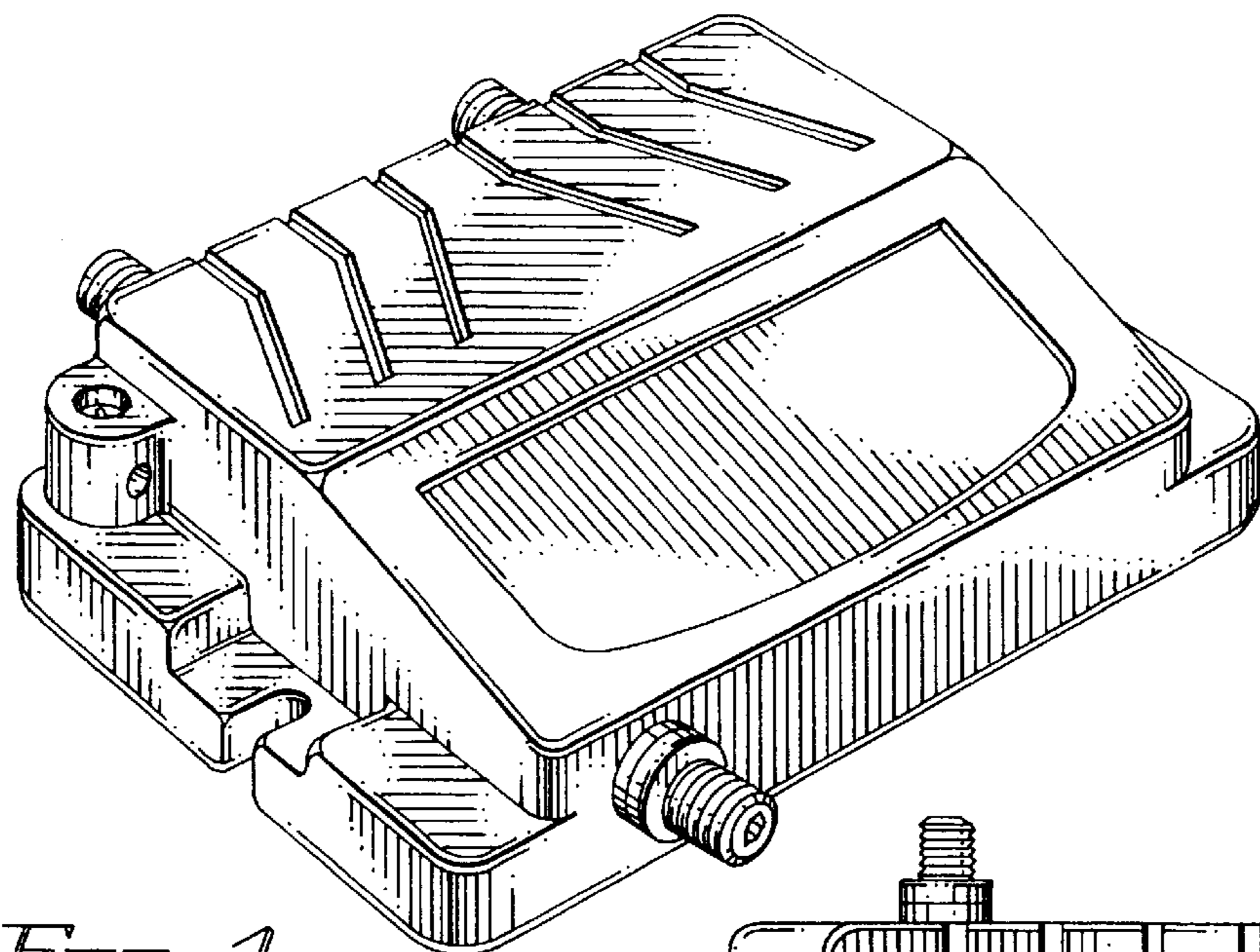


FIG. 1

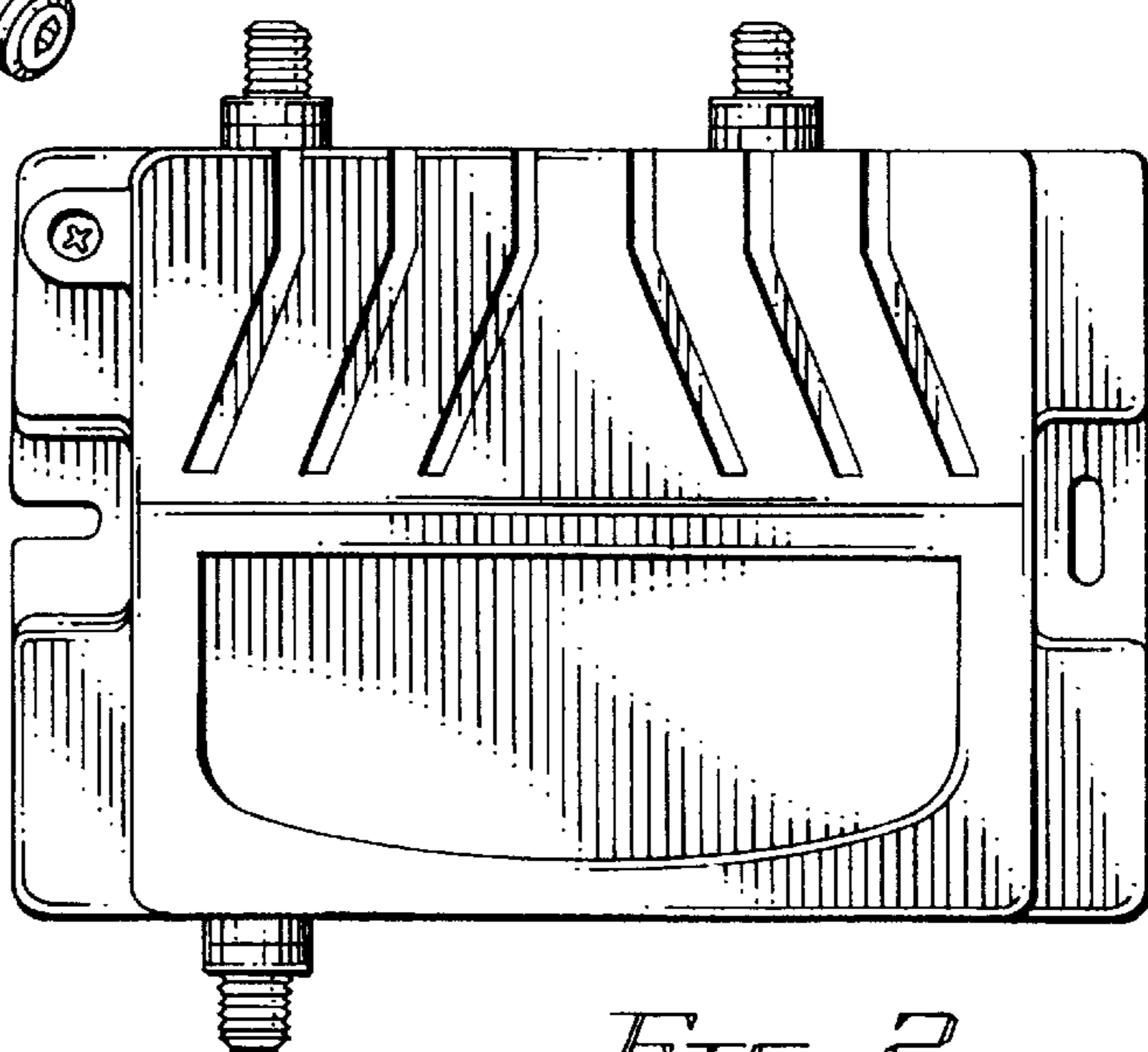


FIG. 2

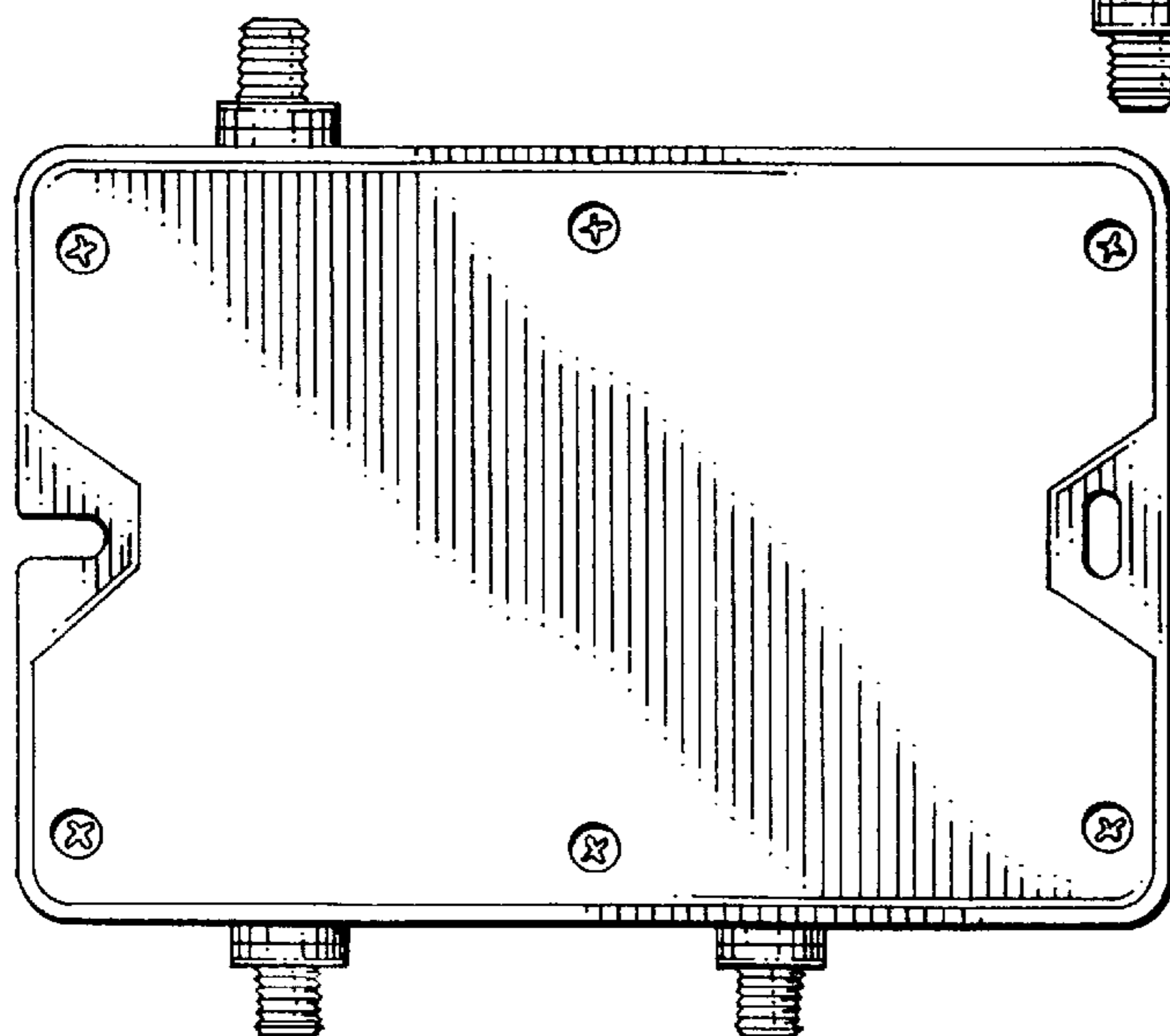


FIG. 3

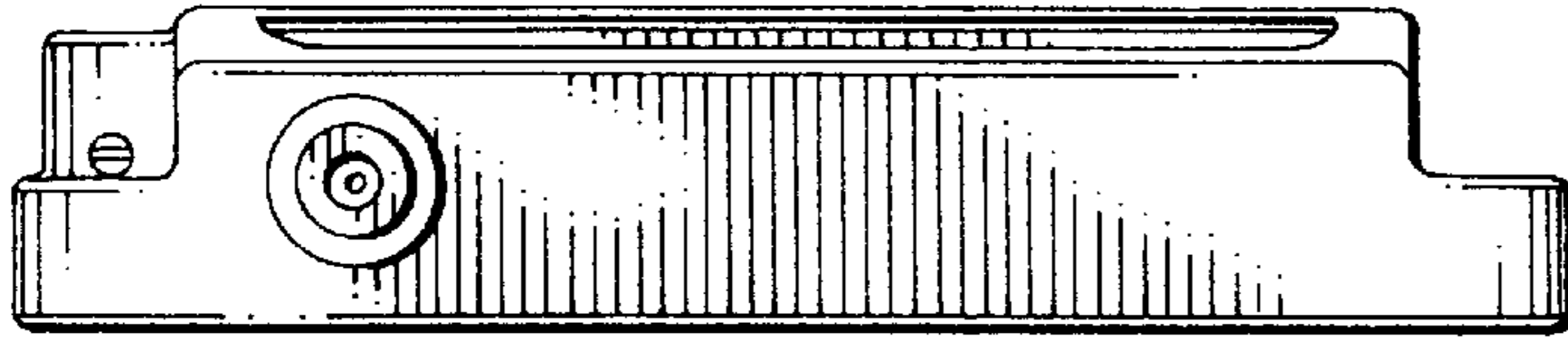


FIG. 4

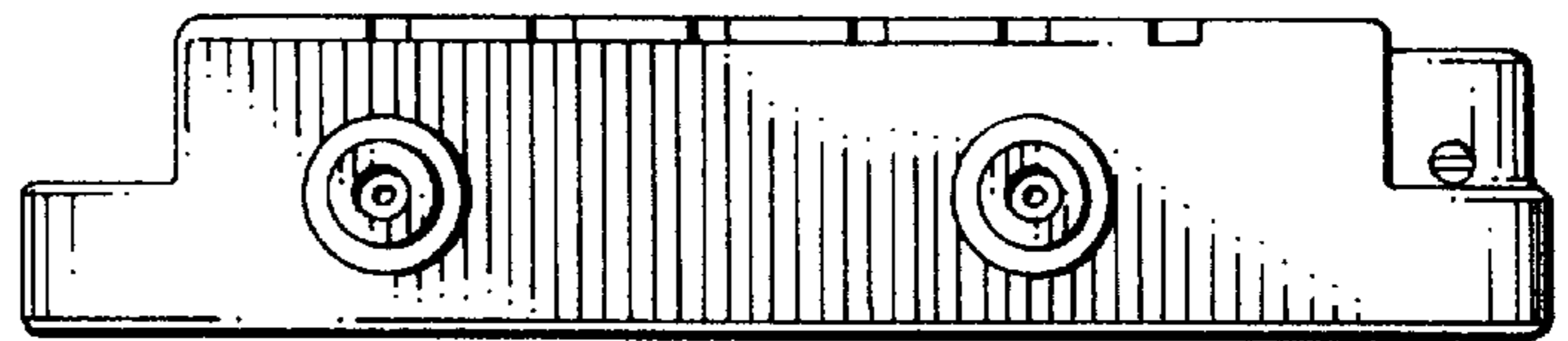


FIG. 5

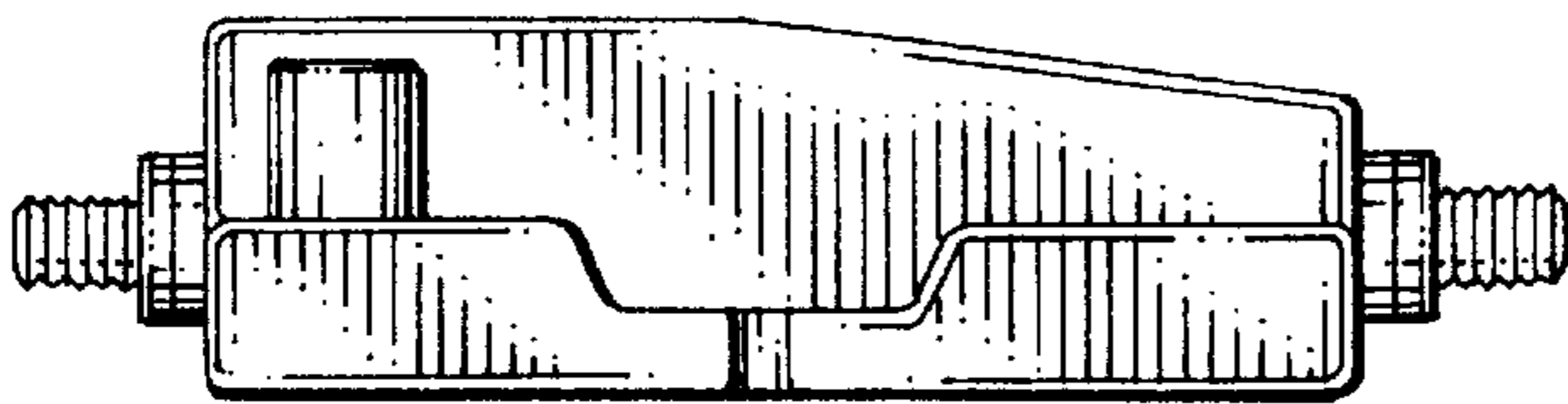


FIG. 6

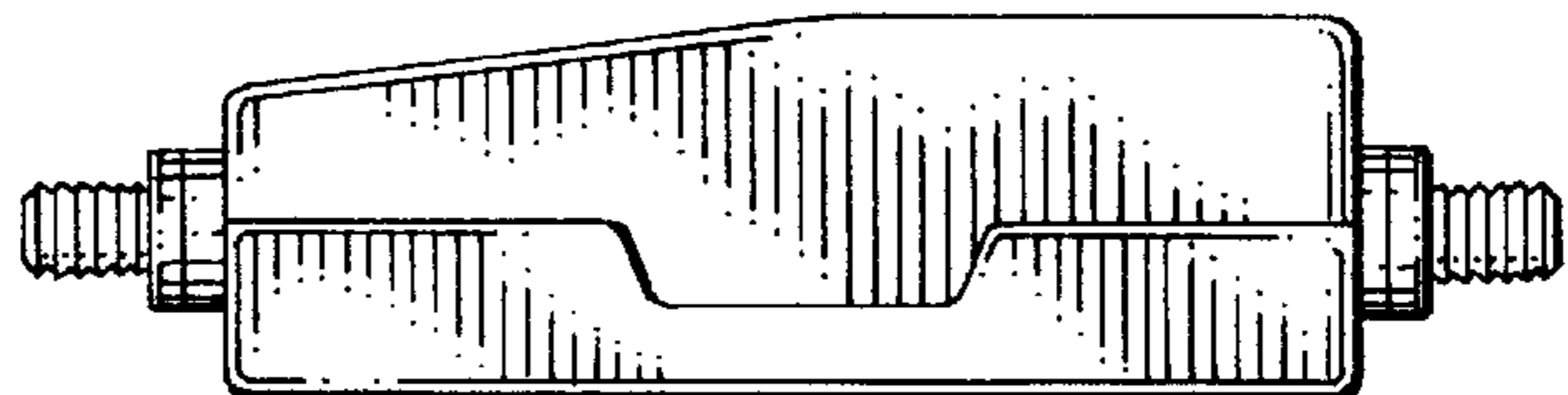


FIG. 7