

US00D400503S

United States Patent [19]

Burwell et al.

[11] **Patent Number:** **Des. 400,503**

[45] **Date of Patent:** ****Nov. 3, 1998**

[54] **ELECTRICAL PLUG WITH AN INTEGRAL CIRCUIT BREAKER**

D. 360,401 7/1995 Chen D13/138.1
D. 367,845 3/1996 Jacobs D13/138.2
4,752,243 6/1988 Meidan 439/622

[75] Inventors: **John W. Burwell**, Rome City; **James M. Gust**, Wolcottville, both of Ind.

Primary Examiner—Susan J. Lucas
Assistant Examiner—Jennifer Rivard
Attorney, Agent, or Firm—Taylor & Associates, P.C.

[73] Assignee: **Lyll Assemblies, Inc.**, Albion, Ind.

[**] Term: **14 Years**

[57] **CLAIM**

[21] Appl. No.: **75,652**

The ornamental design for an electrical plug with an integral circuit breaker, as shown and described.

[22] Filed: **Sep. 3, 1997**

DESCRIPTION

[51] **LOC (6) Cl.** **13-03**

[52] **U.S. Cl.** **D13/138.2**

[58] **Field of Search** D13/138.1–138.2,
D13/137.1–137.4, 139.1–139.8; 307/114,
156, 146; 200/52.02, 51 R, 51 LM; 439/490,
620, 651, 622, 107, 173, 103, 104, 106,
160, 597, 600, 601, 606, 676–679, 682,
692–695, 685, 686

FIG. 1 is a perspective view of an electrical plug with an integral circuit breaker showing our new design, the circuit breaker being disposed in the end generally opposite from the electrical cord;

FIG. 2 is an end view thereof;

FIG. 3 is an opposite end view thereof;

FIG. 4 is a side view, thereof;

FIG. 5 is an opposite side view thereof;

FIG. 6 is a top view thereof; and,

FIG. 7 is a bottom view thereof.

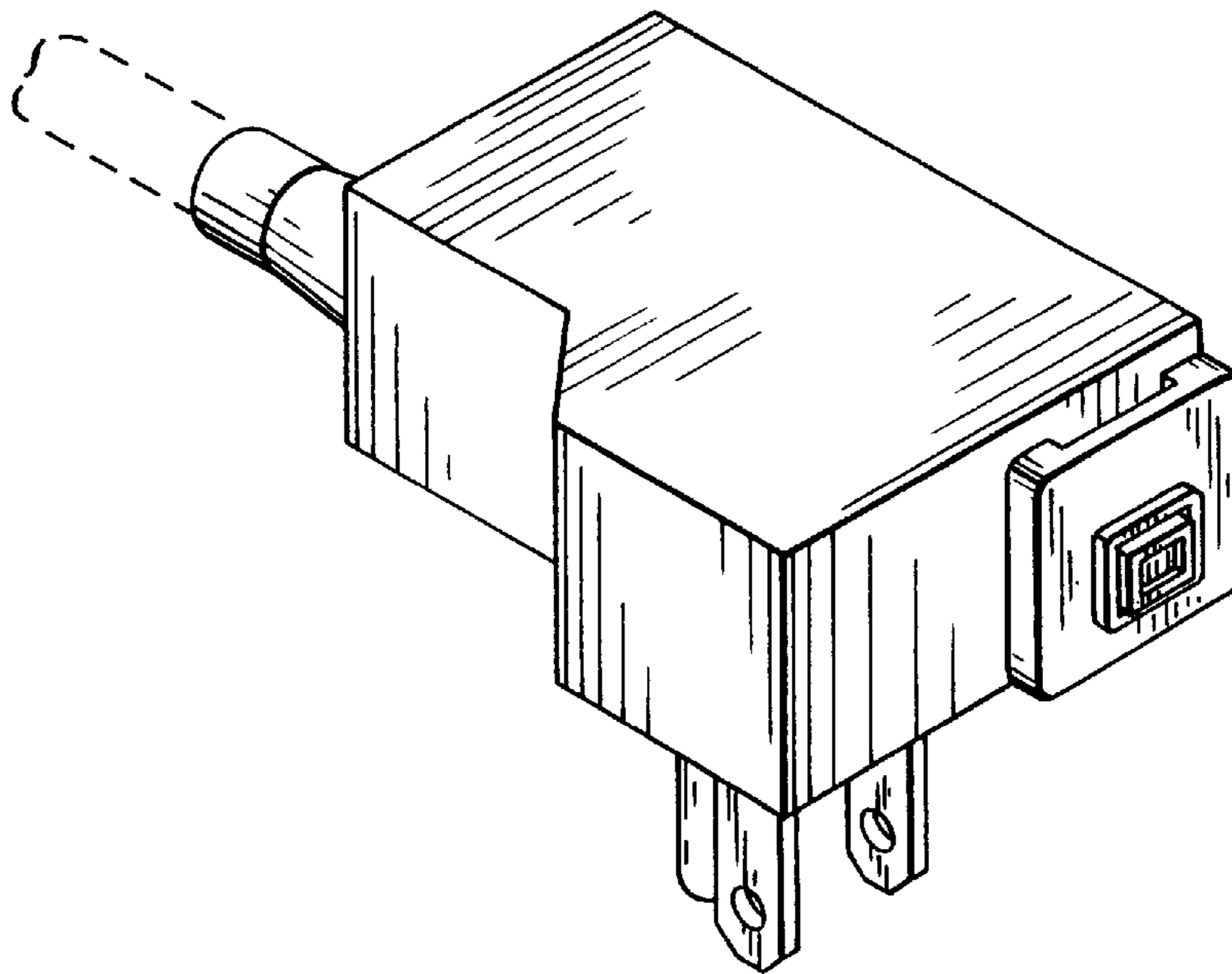
The broken lines are shown for illustrative purposes only and form no part of the claimed design.

[56] **References Cited**

U.S. PATENT DOCUMENTS

D. 301,461 6/1989 Drew D13/145
D. 301,463 6/1989 Drew D13/145 X

1 Claim, 2 Drawing Sheets



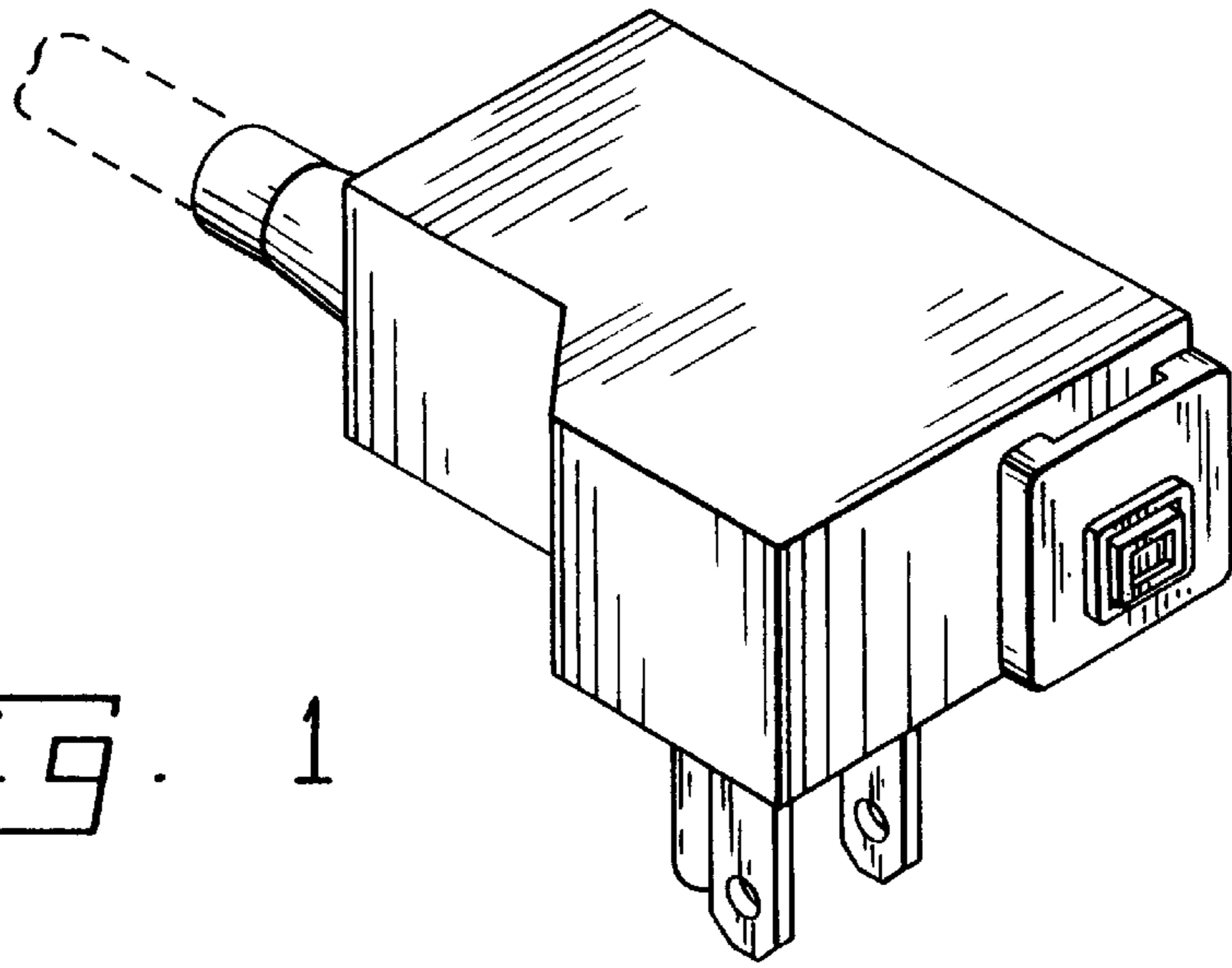


Fig. 1

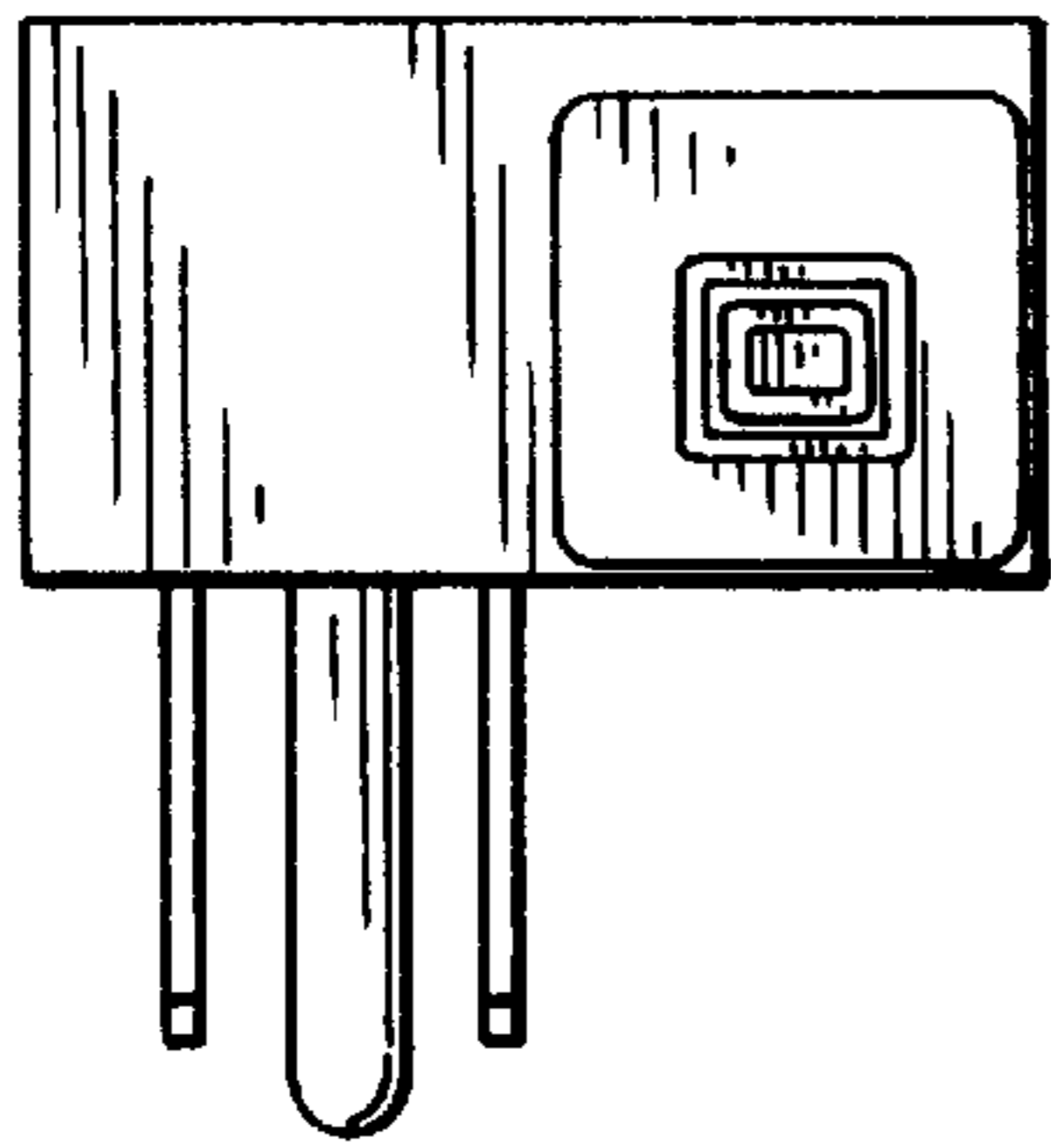


Fig. 2

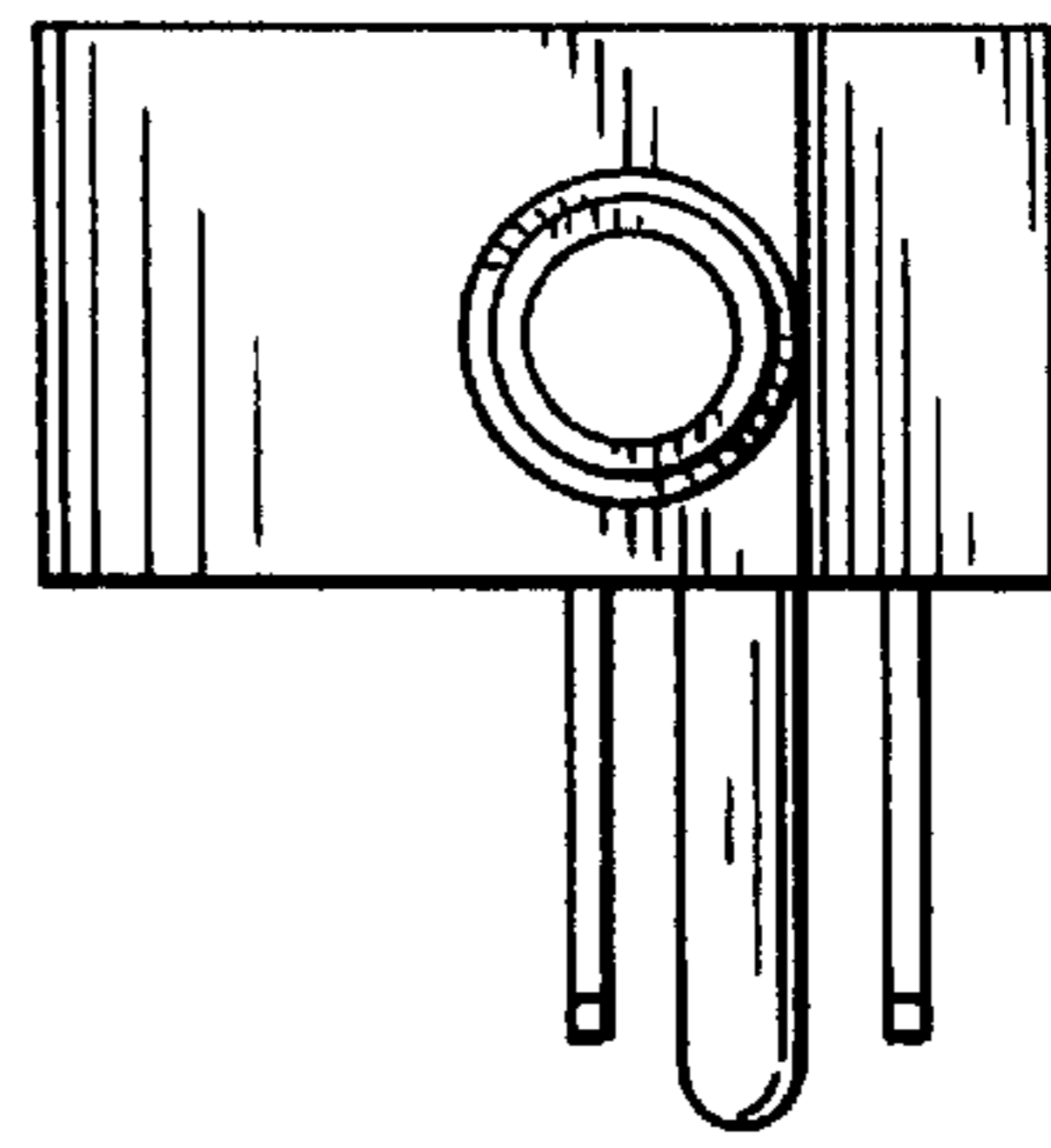


Fig. 3

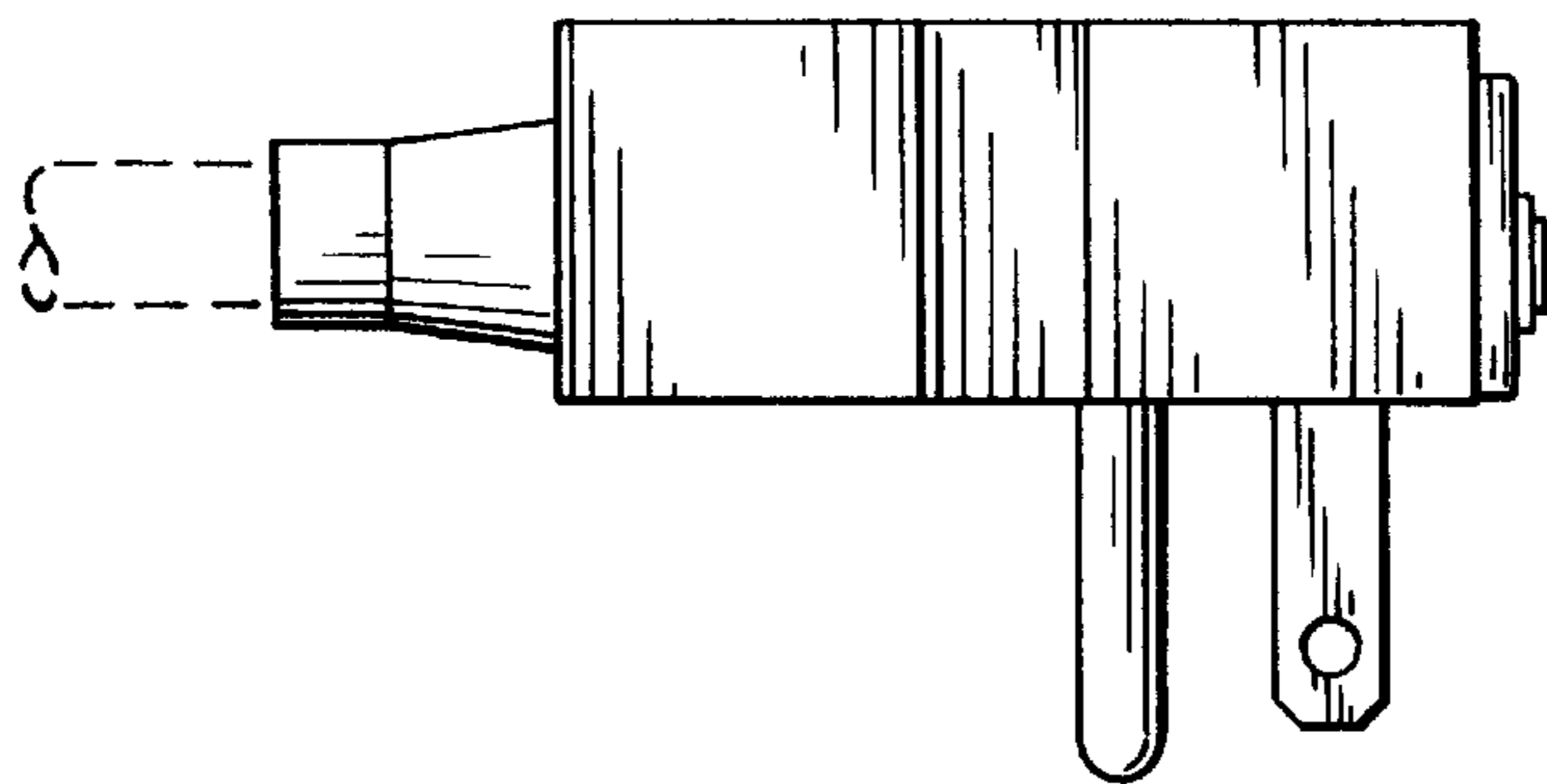


Fig. 4

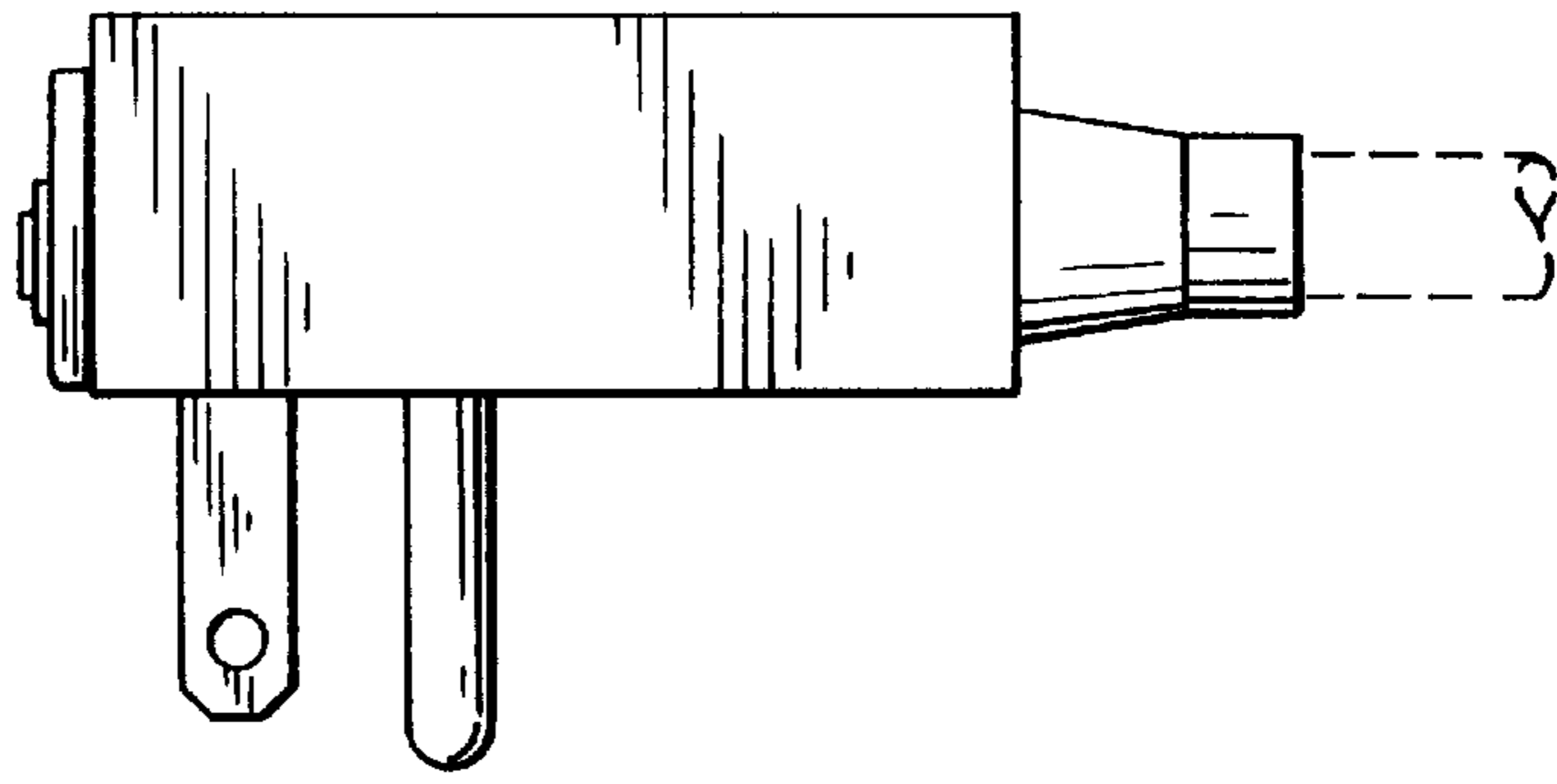


Fig. 5

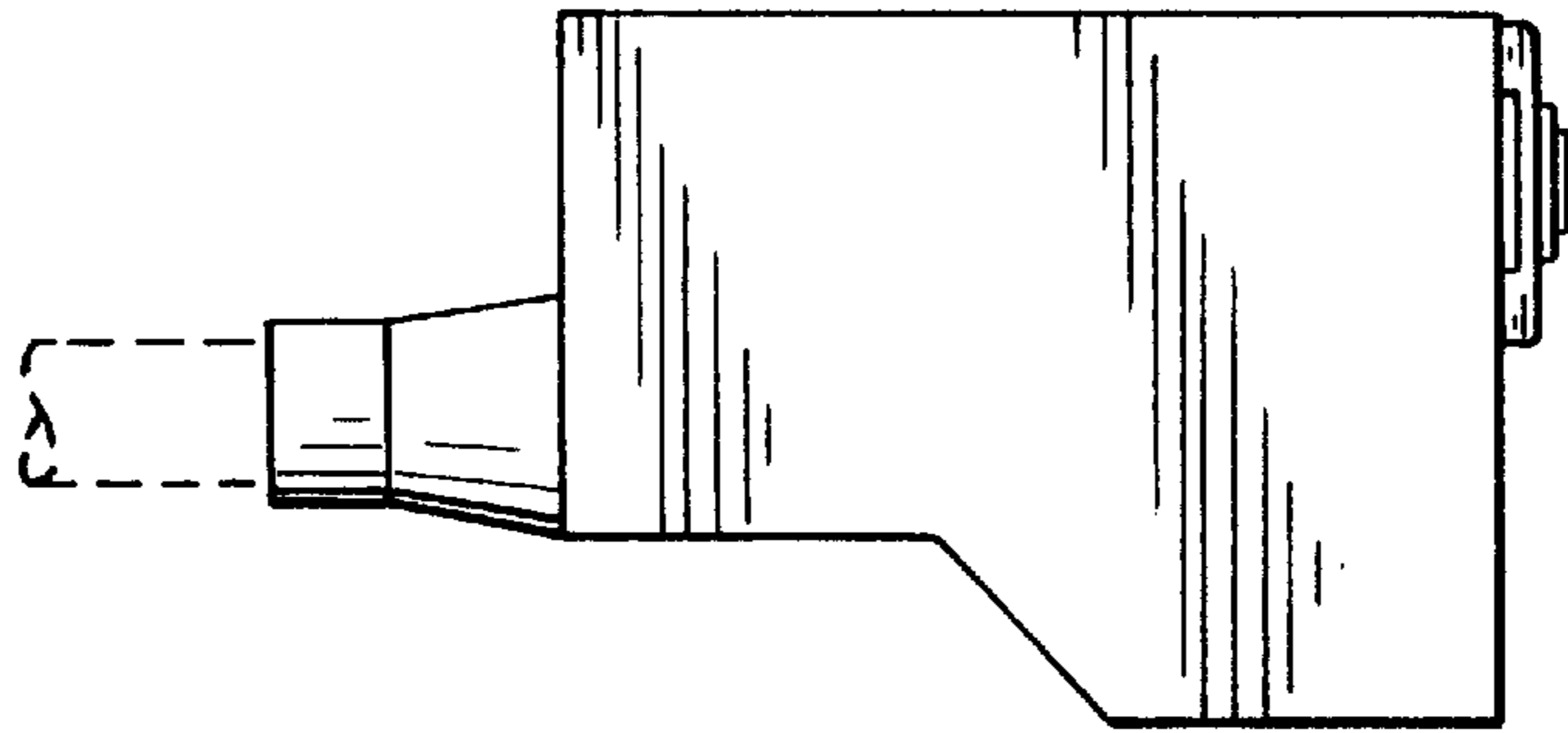


Fig. 6

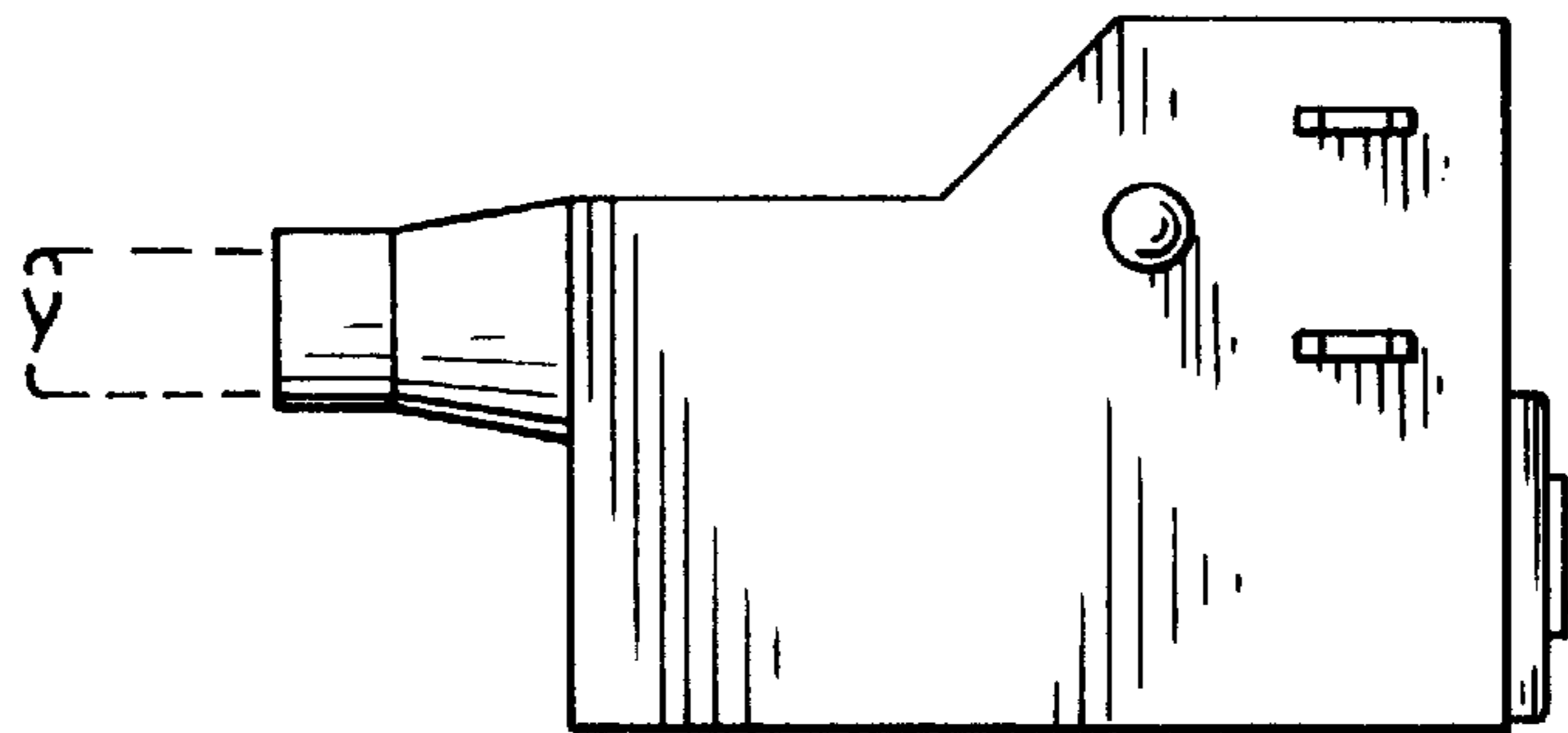


Fig. 7