



US00D400501S

United States Patent [19]

Flachslaender et al.

[11] **Patent Number: Des. 400,501**

[45] **Date of Patent: **Nov. 3, 1998**

[54] **ELECTRICAL PLUG CONNECTION ELEMENT**

[75] Inventors: **Erwin Flachslaender**, Calw; **Dietrich Rogler**, Horb, both of Germany

[73] Assignee: **Hewlett-Packard Company**, Palo Alto, Calif.

[**] Term: **14 Years**

[21] Appl. No.: **80,961**

[22] Filed: **Nov. 20, 1997**

[30] **Foreign Application Priority Data**

Jul. 26, 1997 [DE] Germany M 97 07 058.0

[51] **LOC (6) Cl. 13-03**

[52] **U.S. Cl. D13/133**

[58] **Field of Search** D13/133, 146, D13/147; 439/344, 350-354, 357, 358, 606-610

[56] **References Cited**

U.S. PATENT DOCUMENTS

D. 297,530 9/1988 Cooper D13/147

D. 317,591 6/1991 Matsuzaki D13/147
4,923,409 5/1990 Ishii 439/358
5,154,629 10/1992 Carver et al. 439/352
5,382,177 1/1995 Hutchinson, Jr. et al. 439/358

Primary Examiner—Alan P. Douglas
Assistant Examiner—Lavone D. Tabor

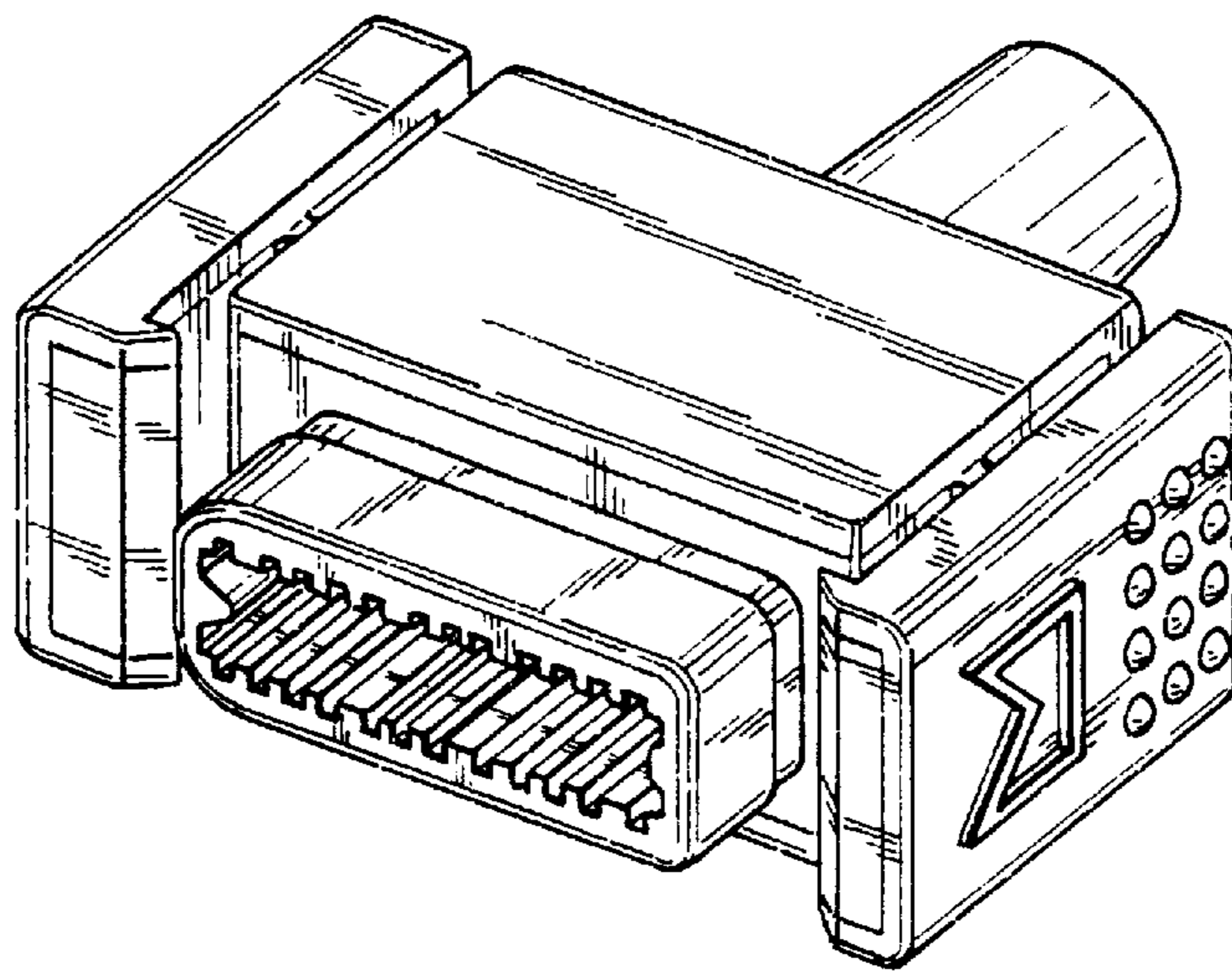
[57] **CLAIM**

We Claim: The ornamental design for a electrical plug connection element, as shown and described.

DESCRIPTION

FIG. 1 is a top, right side perspective view of an electrical plug connection element showing our new design; FIG. 2 is a left side elevational view of the electrical plug connection element of FIG. 1; FIG. 3 is a rear elevational view of the electrical plug connection element of FIG. 1; FIG. 4 is a top plan view of the electrical plug connection element of FIG. 1; FIG. 5 is a front elevational view of the electrical plug connection element of FIG. 1; FIG. 6 is a bottom plan view of the electrical plug connection element of FIG. 1; and, FIG. 7 is a right side elevational view of the electrical plug connection element of FIG. 1.

1 Claim, 2 Drawing Sheets



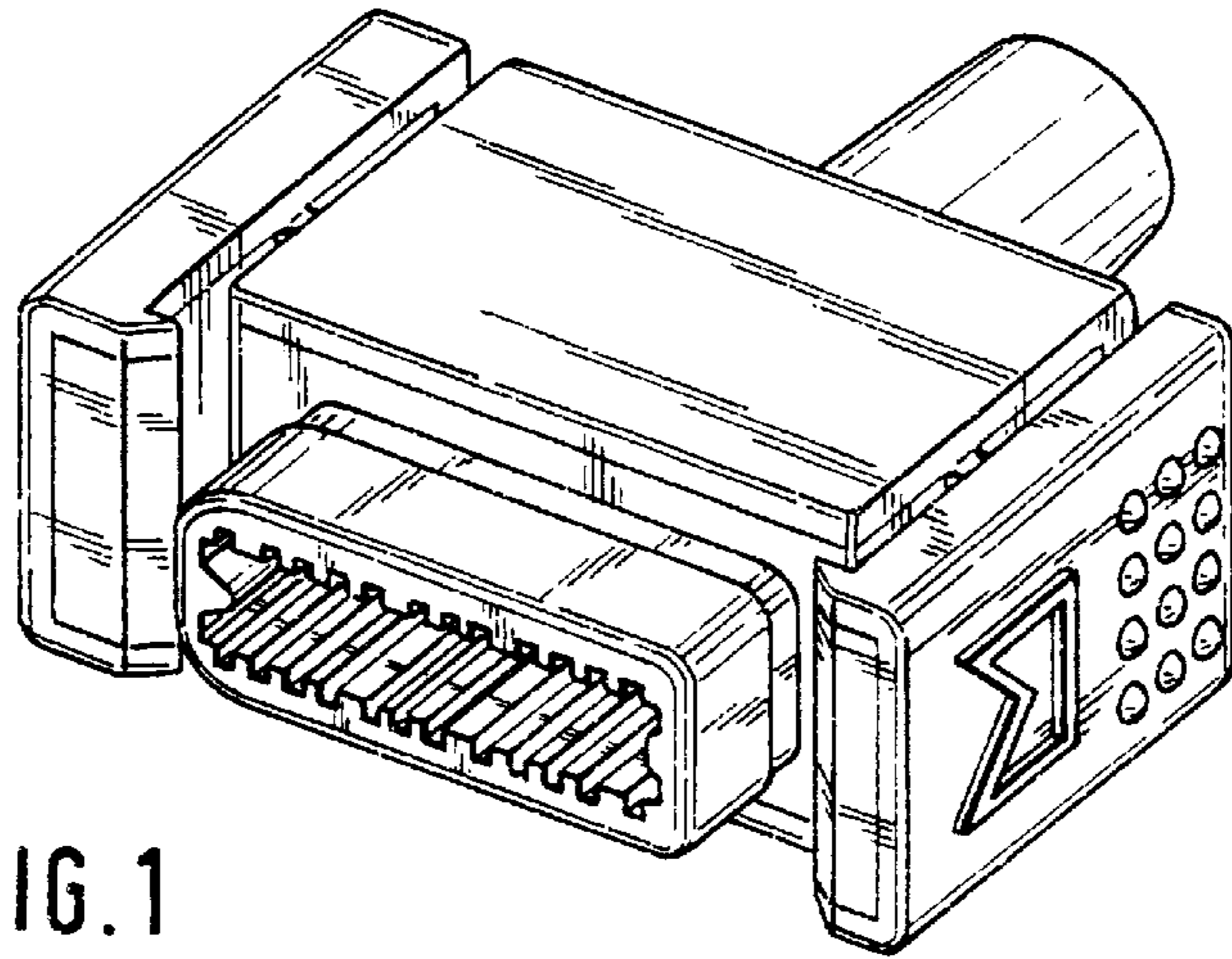


FIG. 1

FIG. 2

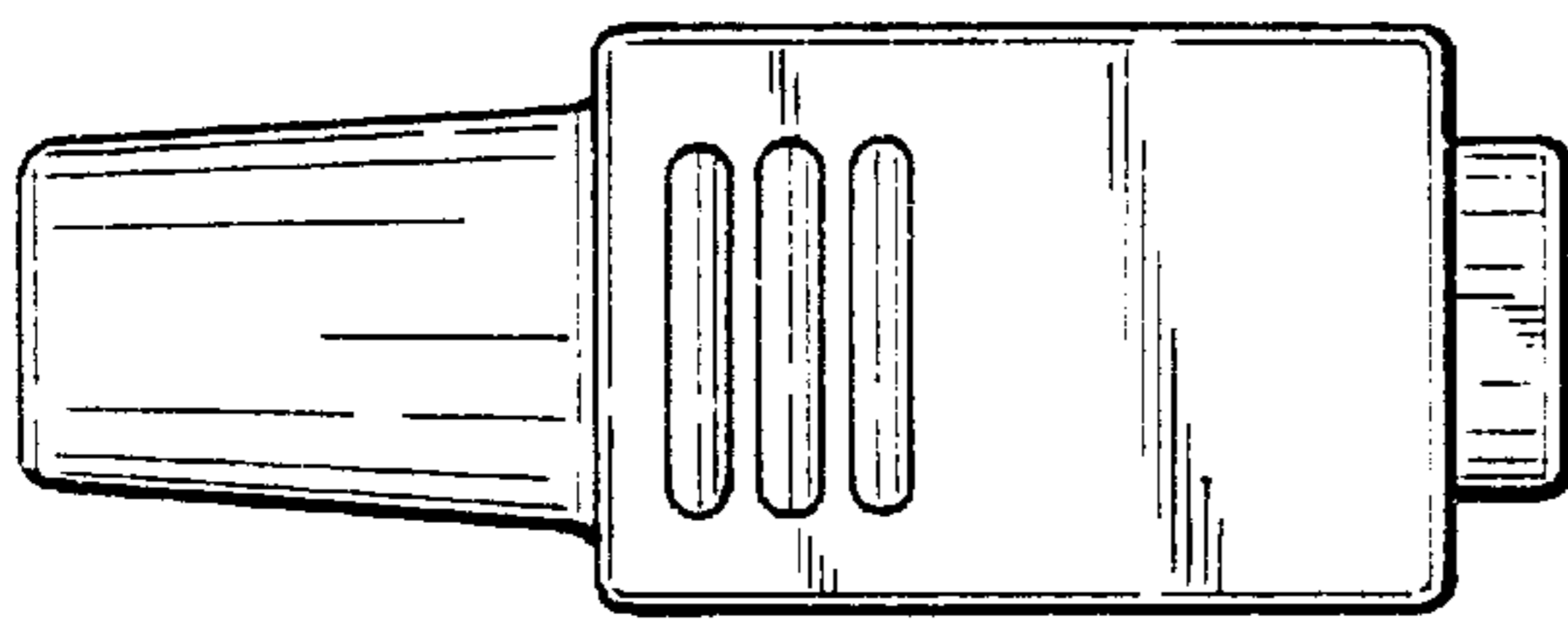
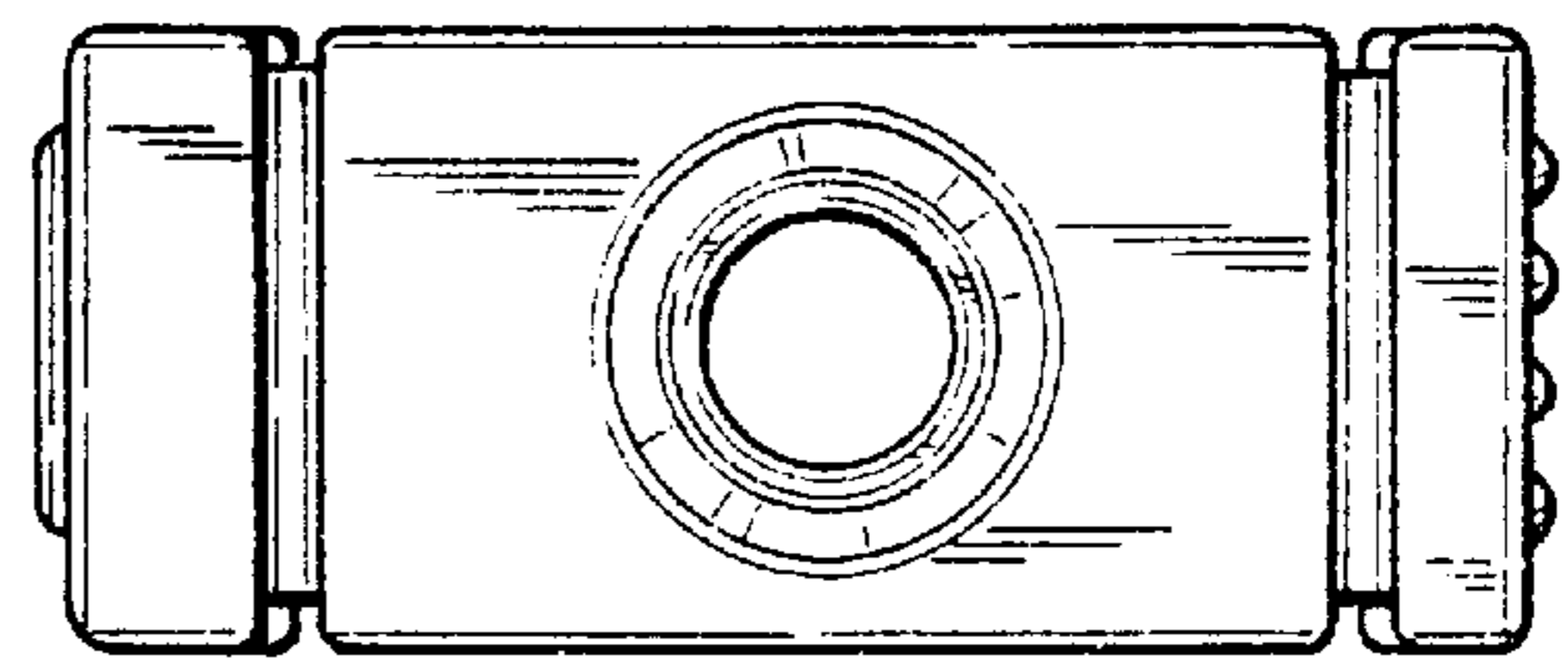


FIG. 3



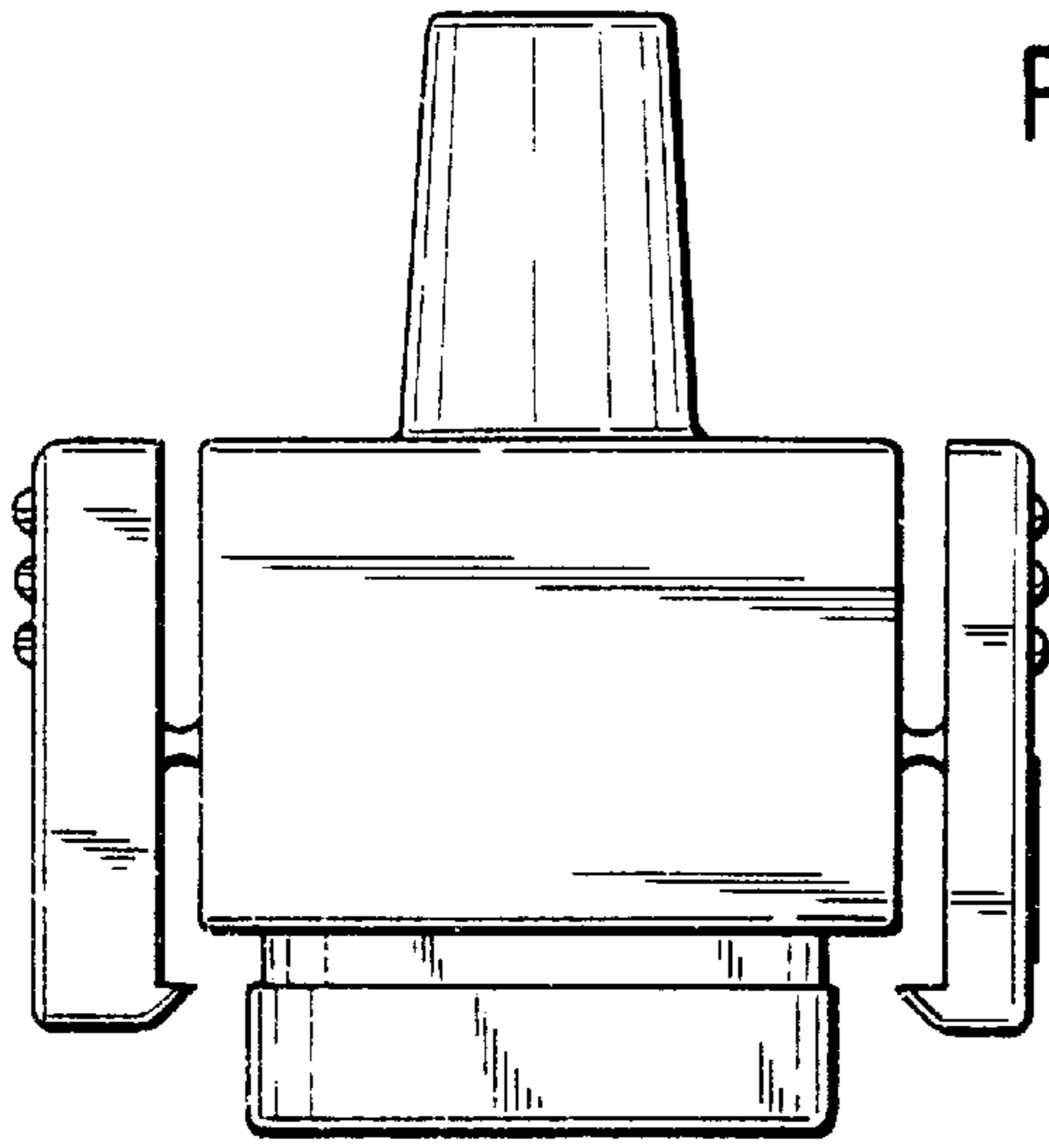


FIG. 4

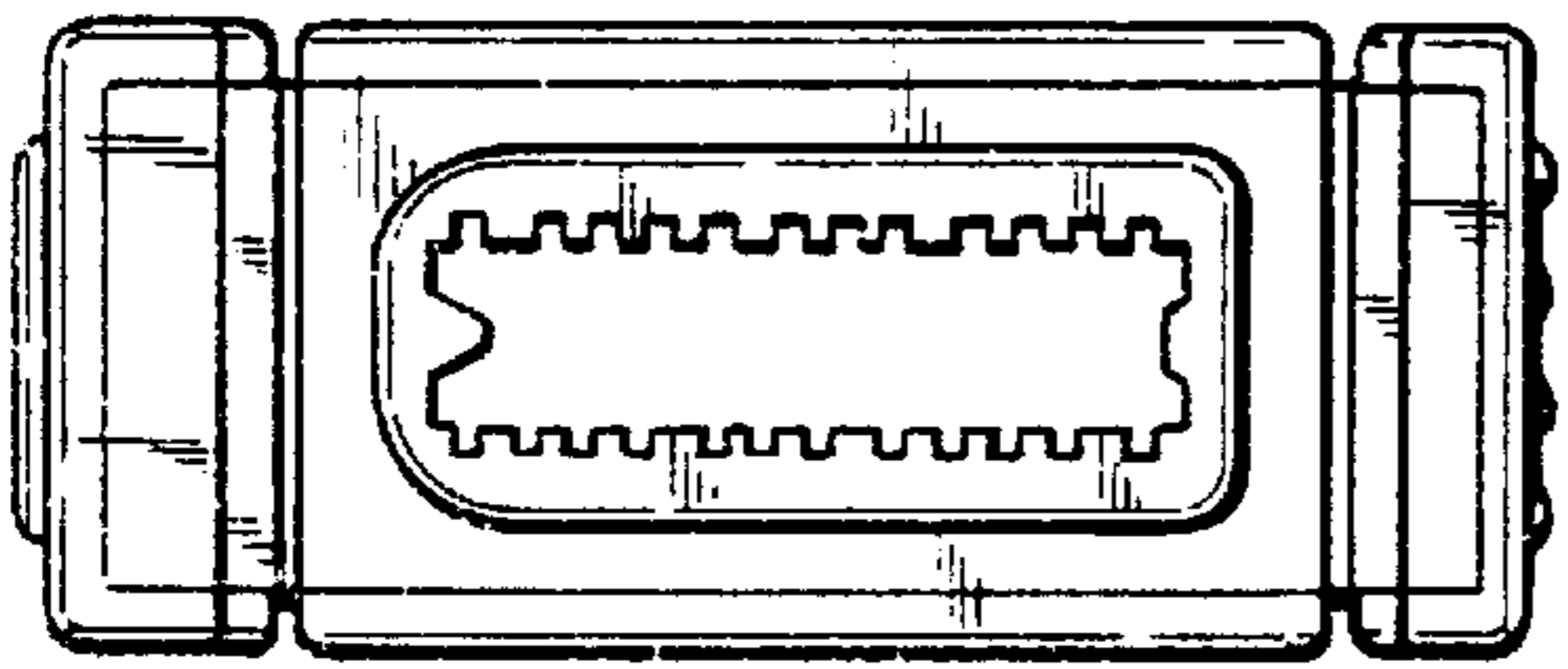


FIG. 5

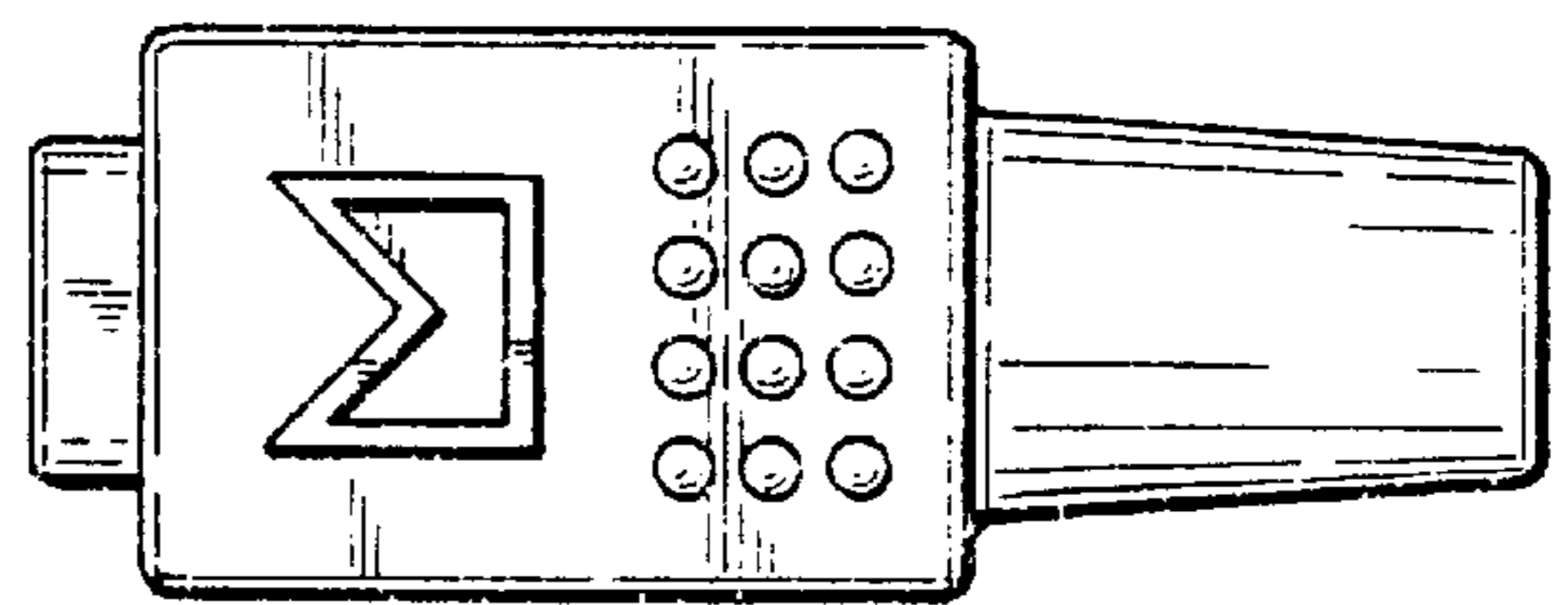


FIG. 7

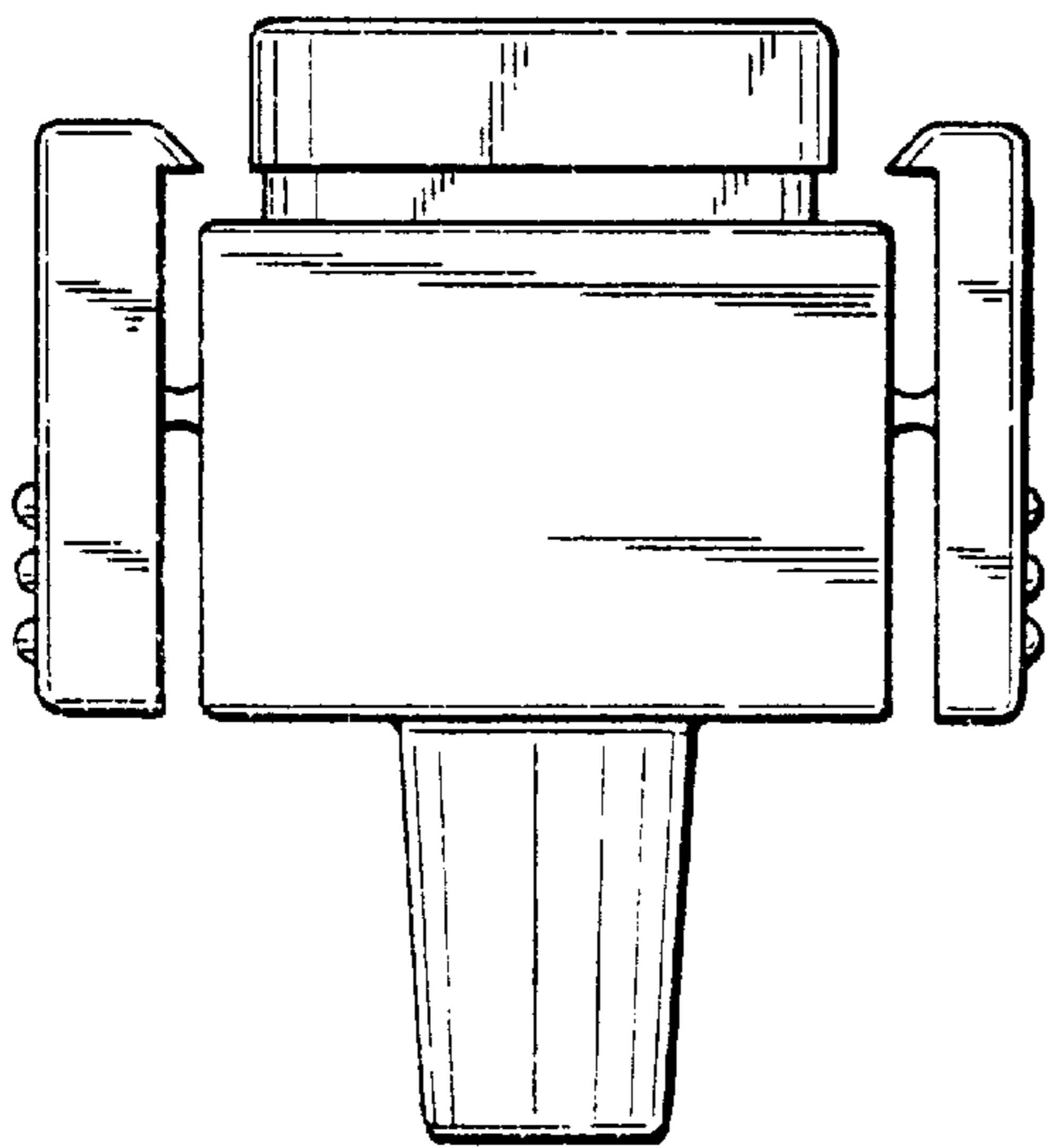


FIG. 6