



US00D400499S

United States Patent [19] Bunyea

[11] **Patent Number: Des. 400,499**
[45] **Date of Patent: **Nov. 3, 1998**

[54] **BATTERY CHARGER**
[75] Inventor: **Roderick F. Bunyea**, Westminster, Md.
[73] Assignee: **Black & Decker Inc.**, Newark, Del.
[**] Term: **14 Years**
[21] Appl. No.: **77,168**
[22] Filed: **Sep. 3, 1997**

D. 327,669 7/1992 Sakamoto et al. D13/108
D. 345,728 4/1994 Tyneski et al. .
D. 346,583 5/1994 Mohri .
5,391,972 2/1995 Gardner et al. 320/2

FOREIGN PATENT DOCUMENTS

8800691 11/1989 Germany .
9001192 4/1990 Germany .
021202 11/1991 Germany .
4442049 6/1995 Germany .

Primary Examiner—Joel Sincavage
Attorney, Agent, or Firm—Dennis A. Dearing; John D. Del Pont; Bruce S. Shapiro

Related U.S. Application Data

[63] Continuation of Ser. No. 46,529, Nov. 17, 1995.
[51] **LOC (6) Cl.** **13-02**
[52] **U.S. Cl.** **D13/107**
[58] **Field of Search** D13/108, 107;
D14/149, 151; 320/2, 3, 4, 15

[57] CLAIM

The ornamental design for a battery charger, as shown and described.

[56] References Cited

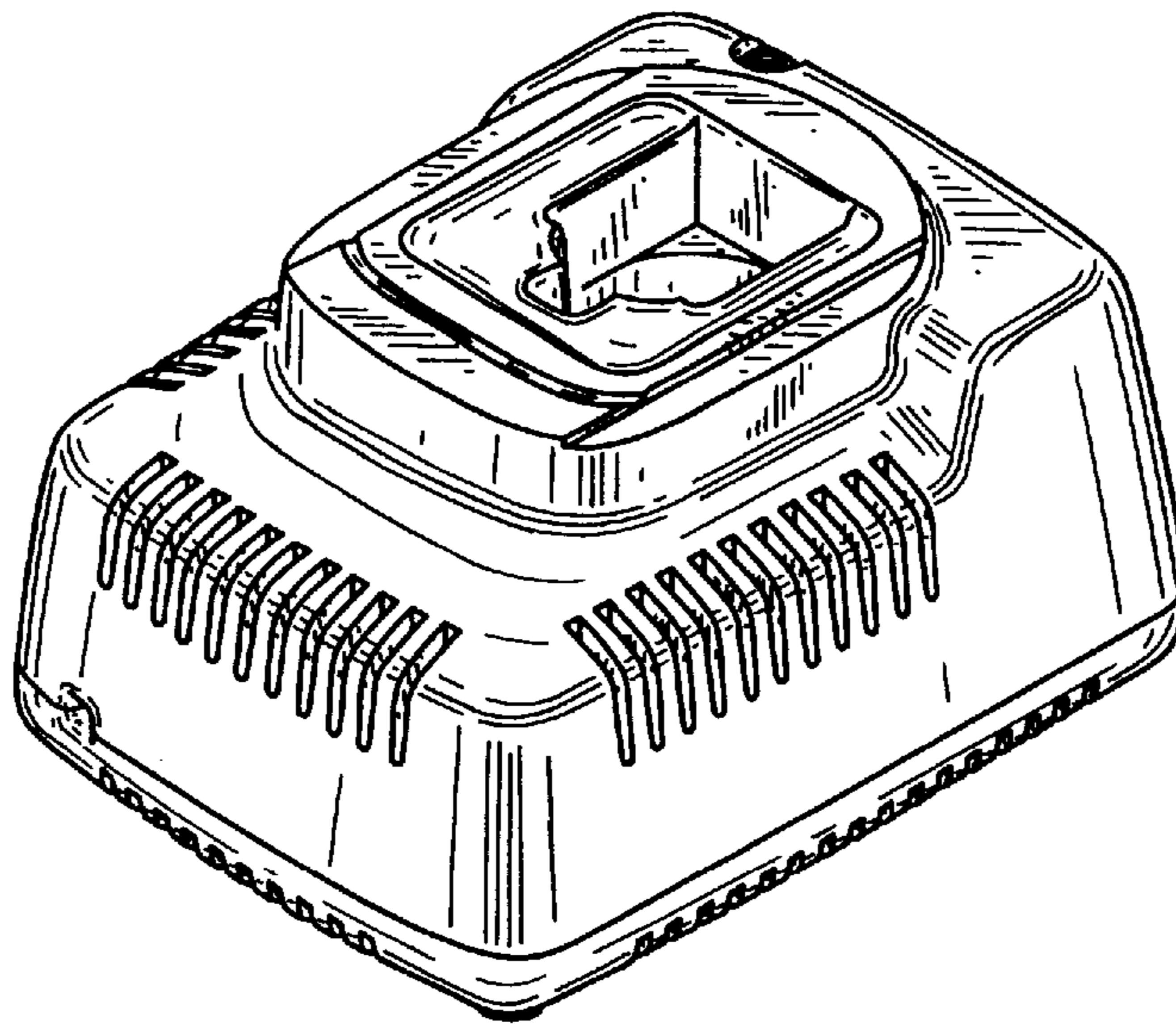
U.S. PATENT DOCUMENTS

D. 271,391 11/1983 Scheld .
D. 278,228 4/1985 Liautaud et al. .
D. 278,426 4/1985 Lanci et al. .
D. 298,230 10/1988 Lay .
D. 301,135 5/1989 Schappler .
D. 302,808 8/1989 Shuza et al. .
D. 313,004 12/1990 Hasegawa et al. D13/108
D. 321,337 11/1991 Sakamoto et al. .

DESCRIPTION

FIG. 1 is a front perspective view of a battery charger showing my new design;
FIG. 2 is a rear perspective view of FIG. 1;
FIG. 3 is a front elevational view of FIG. 1;
FIG. 4 is a rear elevational view of FIG. 1;
FIG. 5 is a left side elevational view of FIG. 1. The right side is a mirror image of the left side;
FIG. 6 is a top plan view of FIG. 1; and,
FIG. 7 is a bottom plan view of FIG. 1.

1 Claim, 3 Drawing Sheets



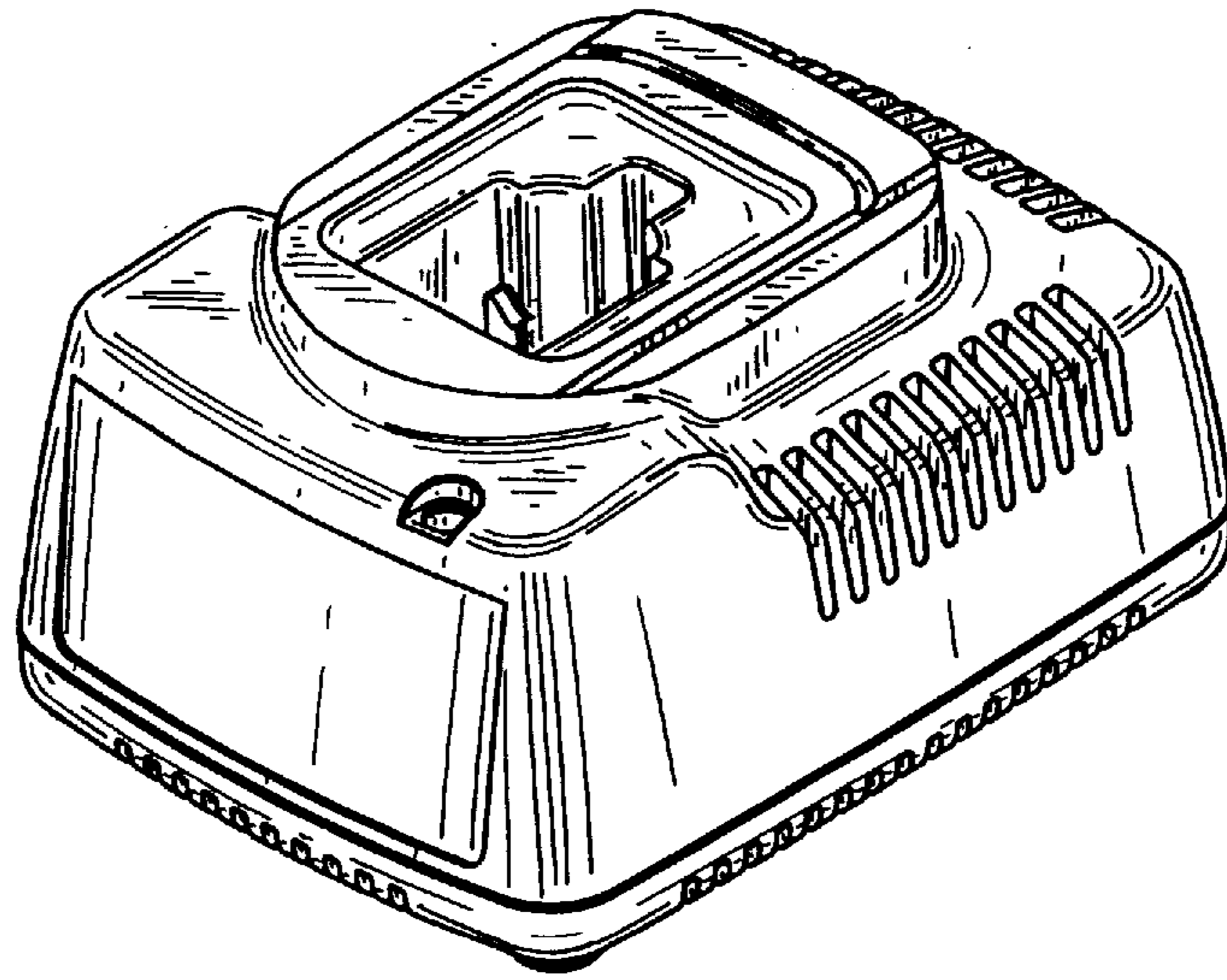


FIG. 1

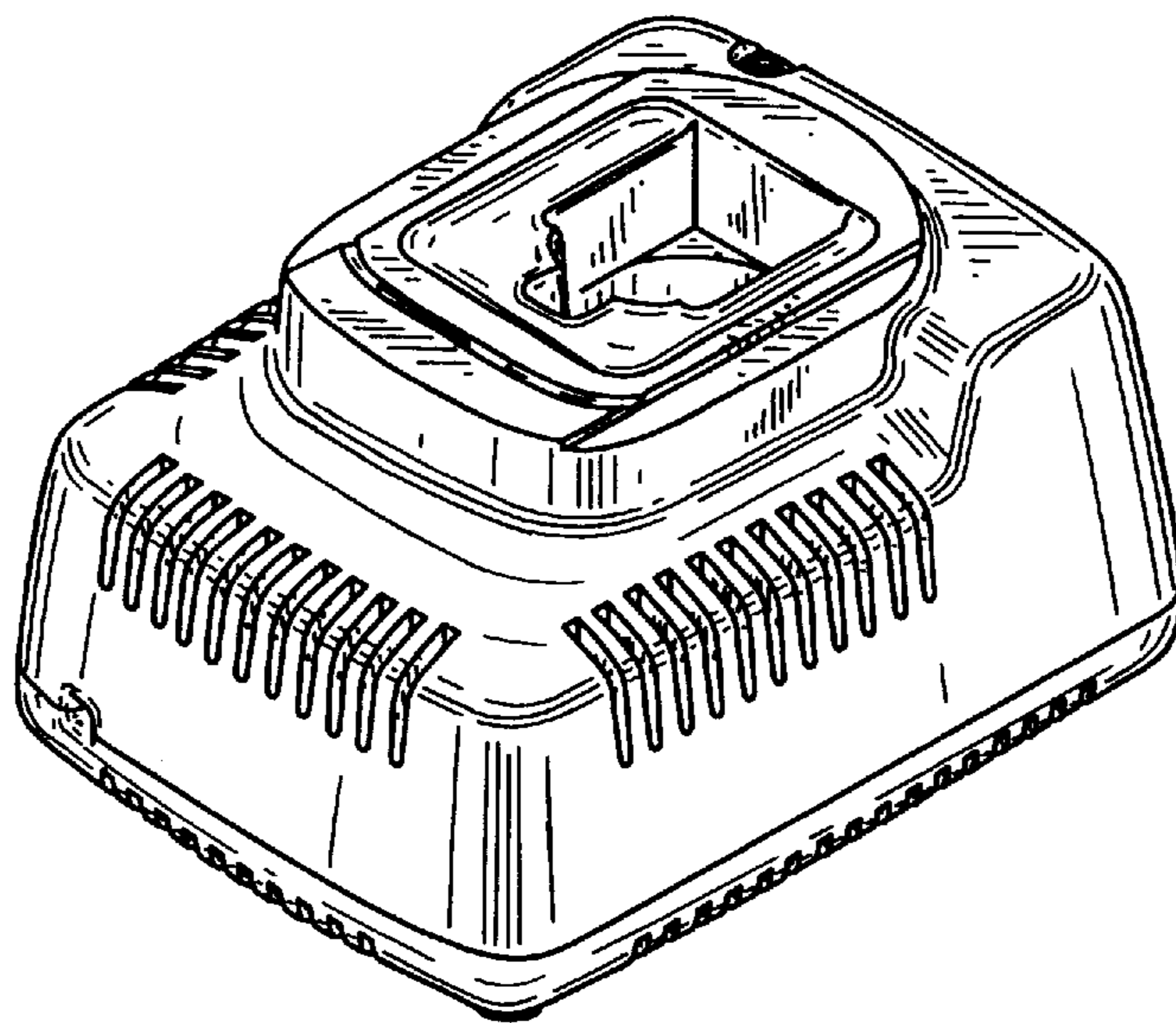


FIG. 2

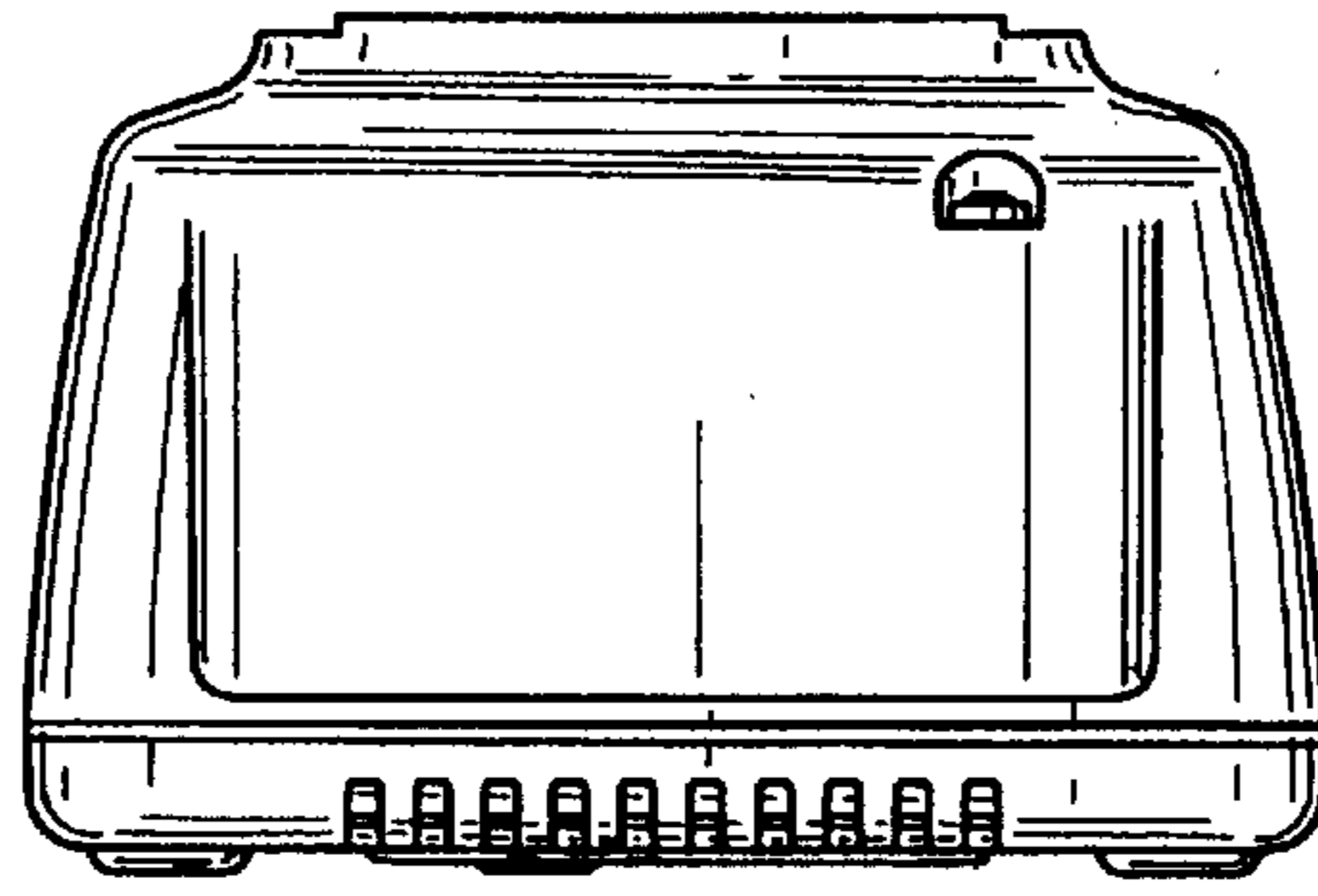


FIG. 3

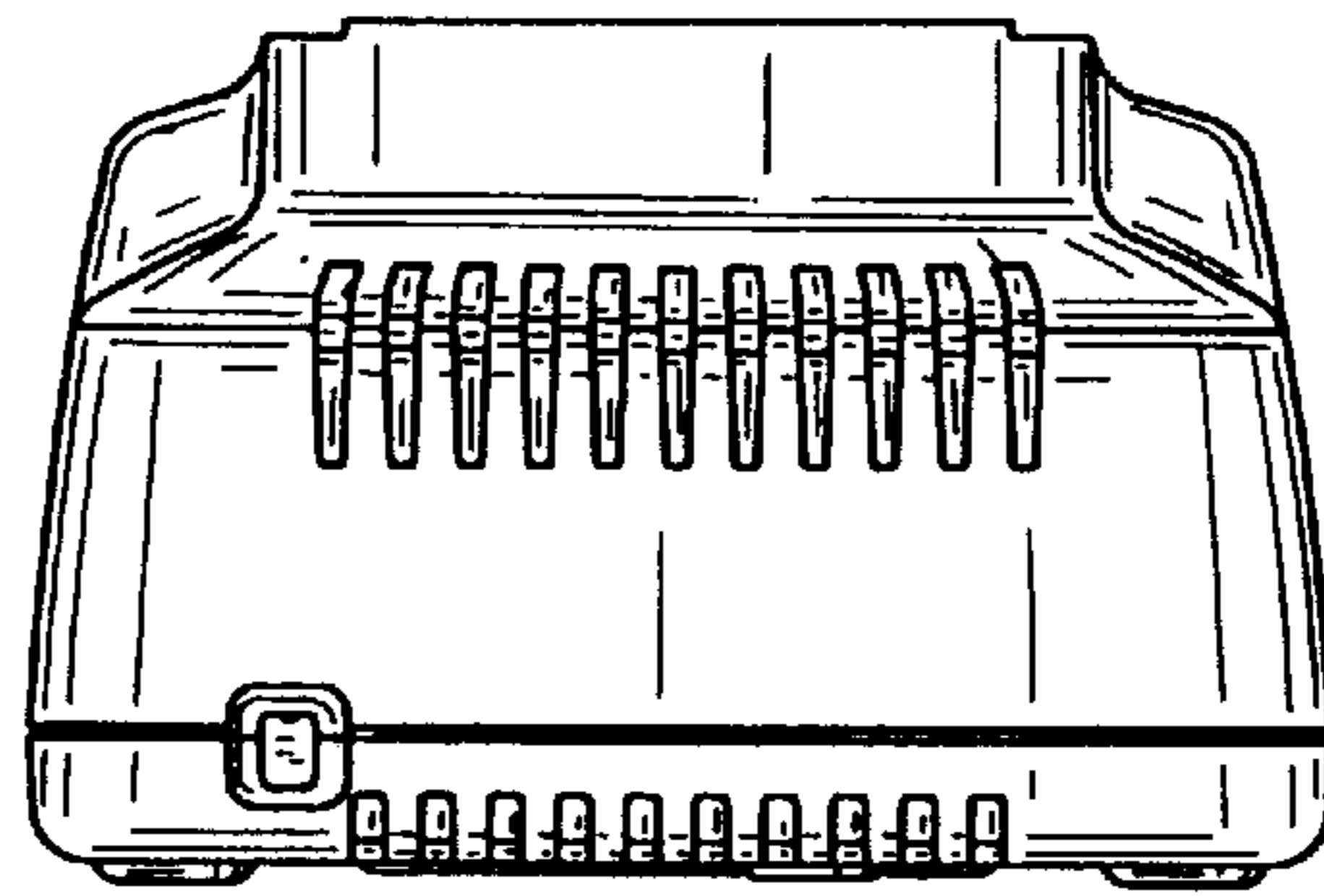


FIG. 4

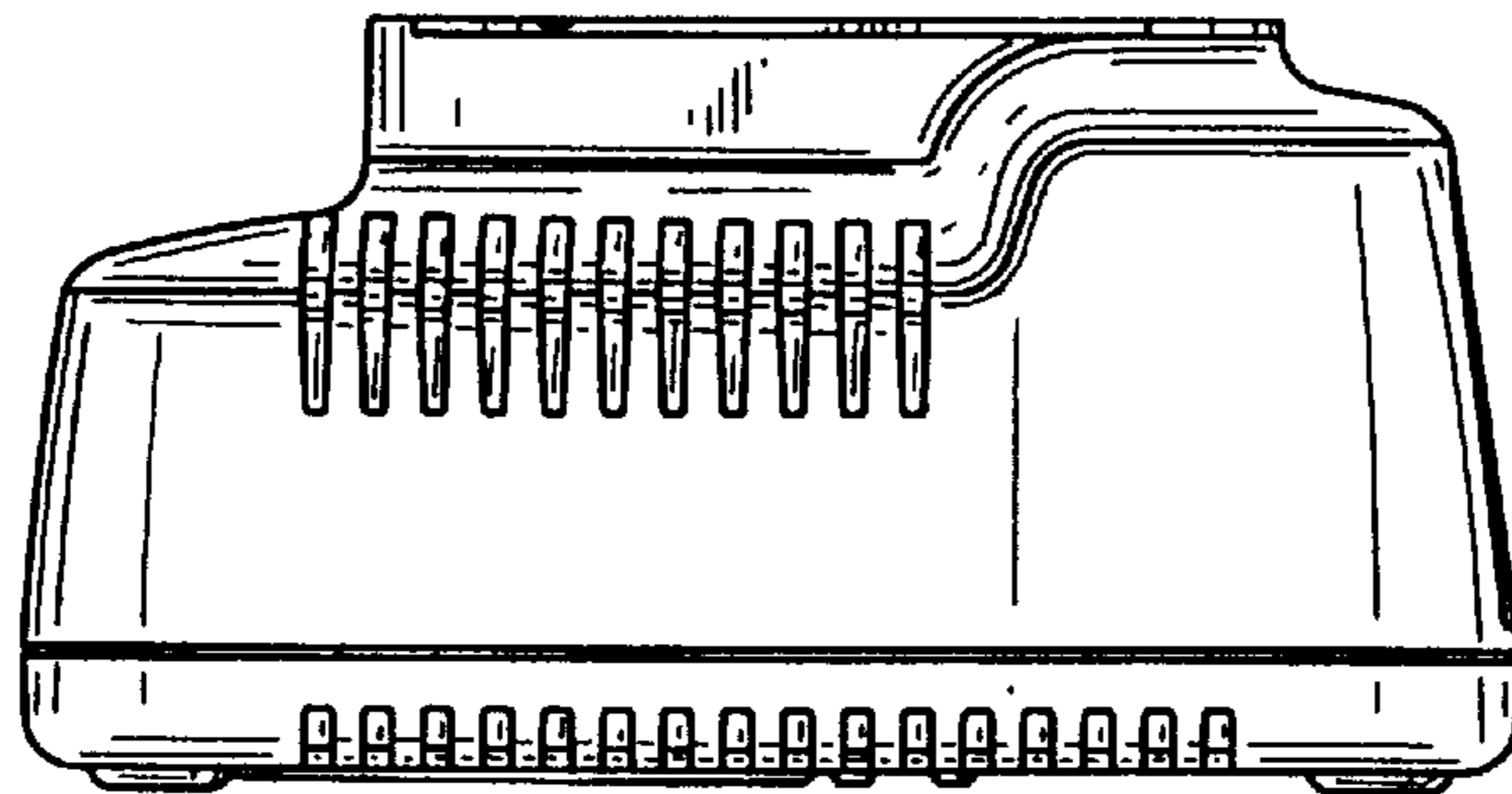


FIG. 5

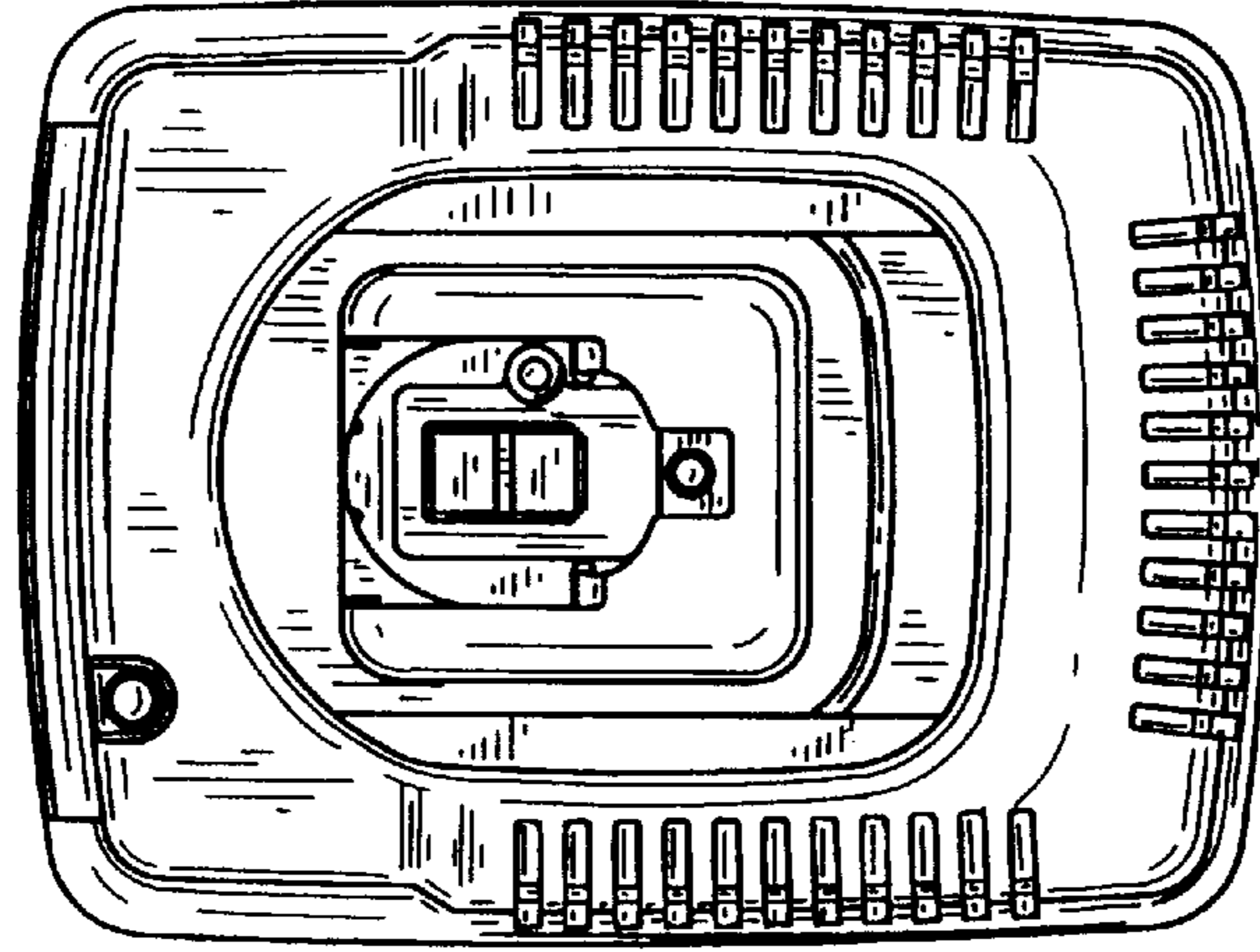


FIG. 6

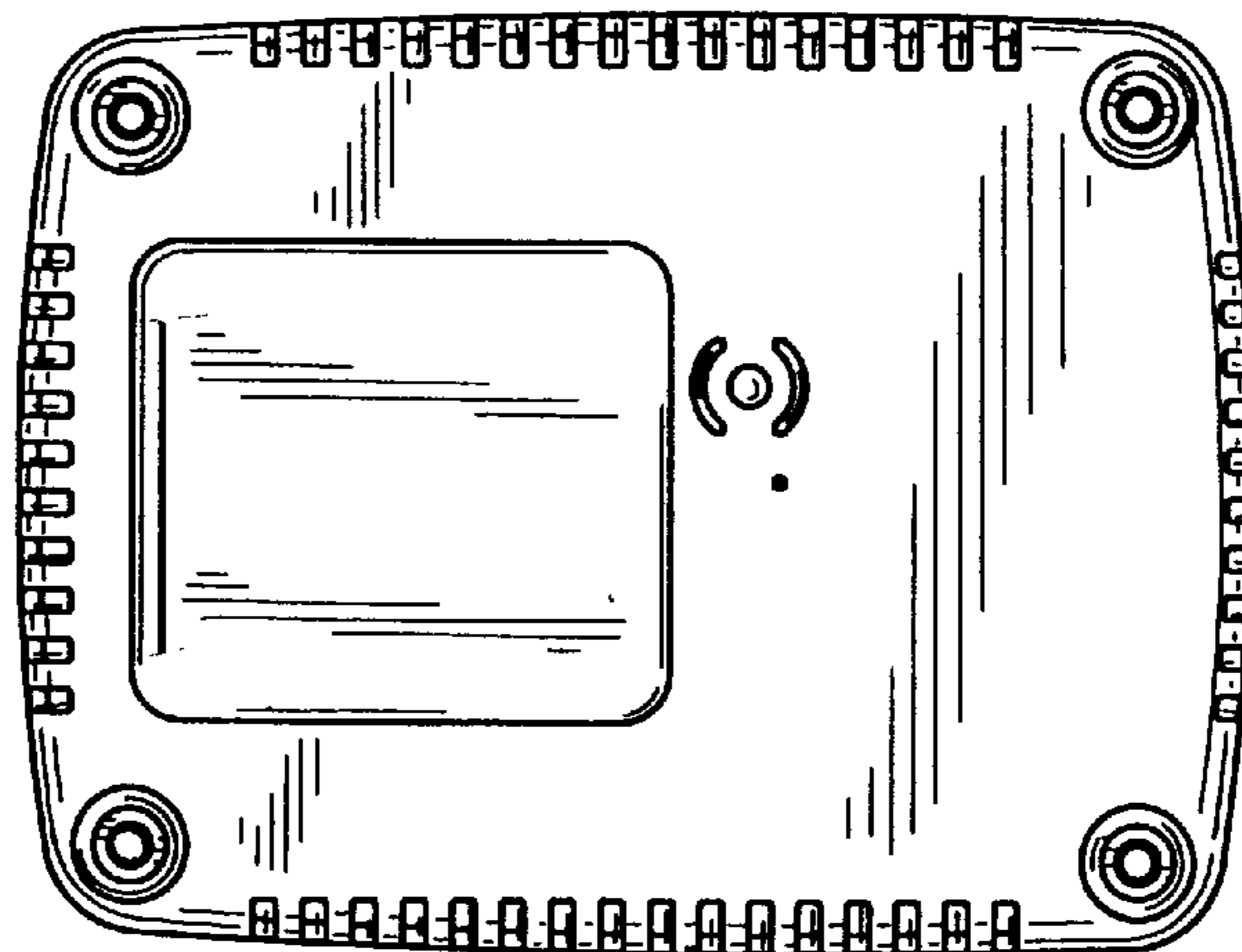


FIG. 7