



US00D400495S

United States Patent [19]

Deslyper et al.

[11] **Patent Number:** **Des. 400,495**

[45] **Date of Patent:** ****Nov. 3, 1998**

[54] **AUXILIARY BATTERY ENCASEMENT**

D. 392,939 3/1998 Finke-Anlauff D13/103
5,605,050 2/1997 Brunette et al. 429/97

[75] Inventors: **Amy T. Deslyper**, Dacula; **Aaron P. Clark**, Buford, both of Ga.

Primary Examiner—Joel Sincavage
Attorney, Agent, or Firm—Felipe J. Farley

[73] Assignee: **Motorola, Inc.**, Schaumburg, Ill.

[57] **CLAIM**

[**] Term: **14 Years**

The ornamental design for an auxiliary battery encasement, as shown and described.

[21] Appl. No.: **81,119**

DESCRIPTION

[22] Filed: **Dec. 23, 1997**

FIG. 1 is an isometric view of a battery encasement showing our new design;
FIG. 2 is a front elevational view thereof;
FIG. 3 is a left elevational view thereof;
FIG. 4 is a right elevational view thereof;
FIG. 5 is a top plan view;
FIG. 6 is a bottom plan view; and,
FIG. 7 is a rear elevational view.

[51] **LOC (6) Cl.** **13-02**

[52] **U.S. Cl.** **D13/103**

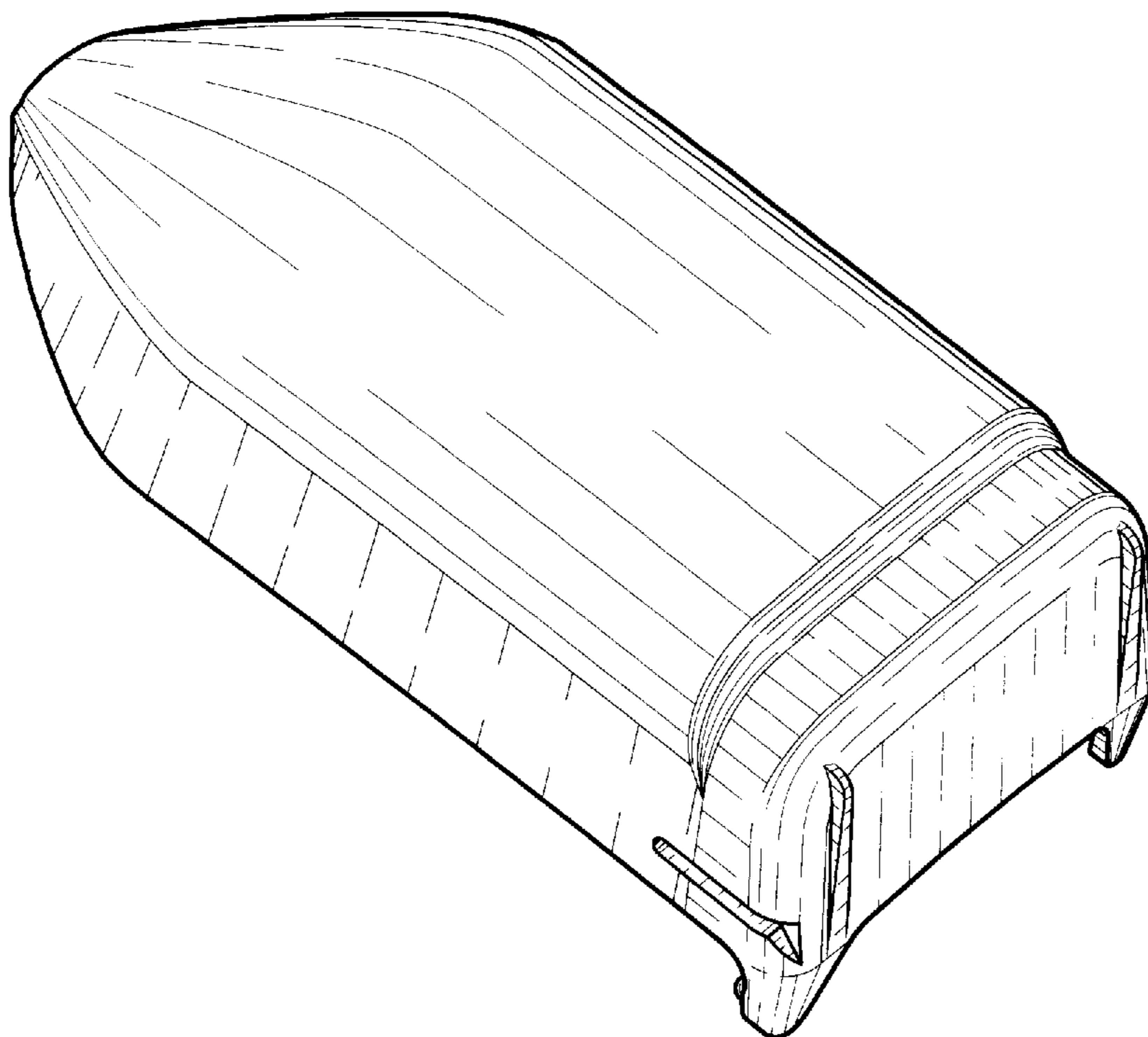
[58] **Field of Search** D13/103; D14/138;
429/96-100, 163, 176; 455/127, 343

[56] **References Cited**

U.S. PATENT DOCUMENTS

D. 372,896 8/1996 Nagele et al. D13/103

1 Claim, 5 Drawing Sheets



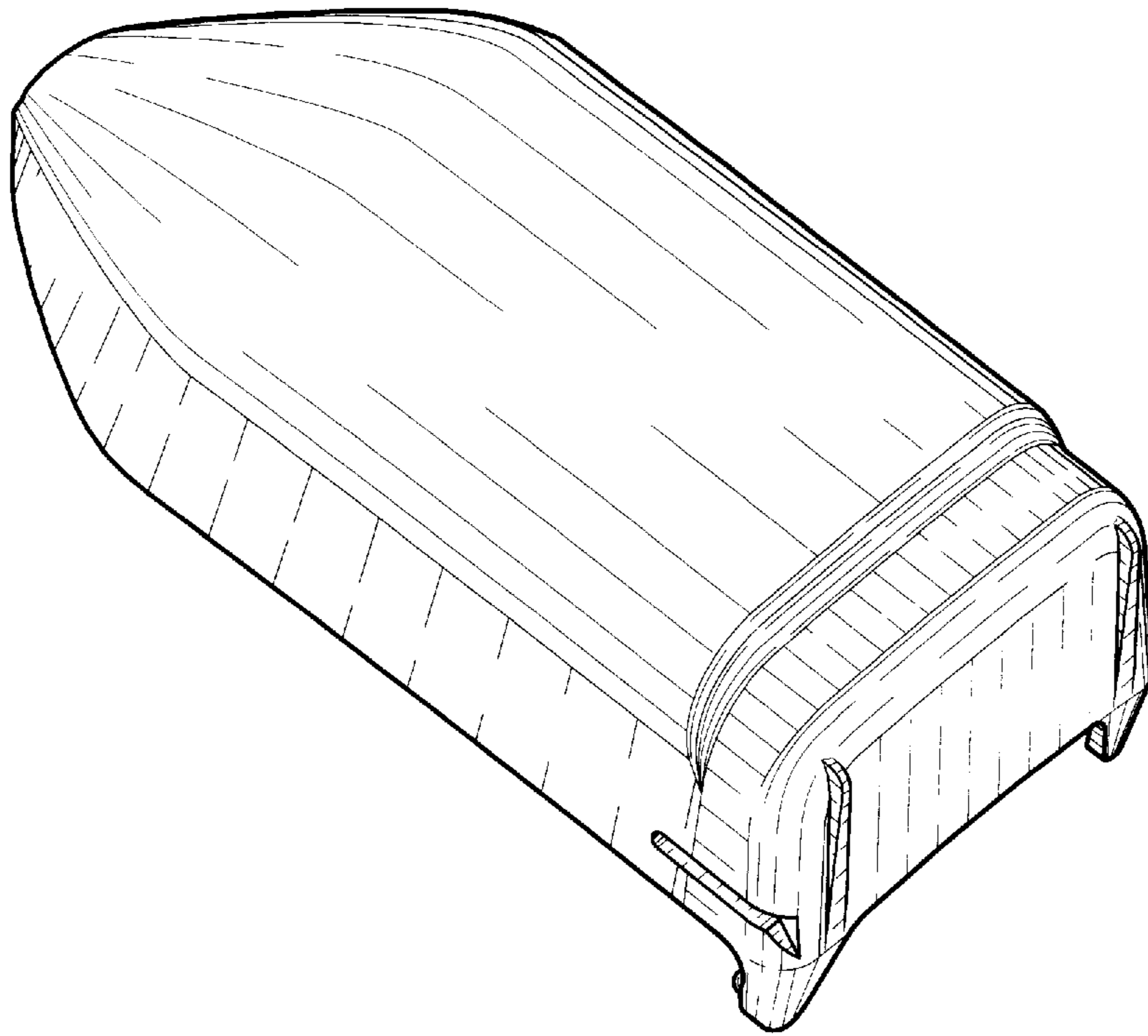


FIG. 1

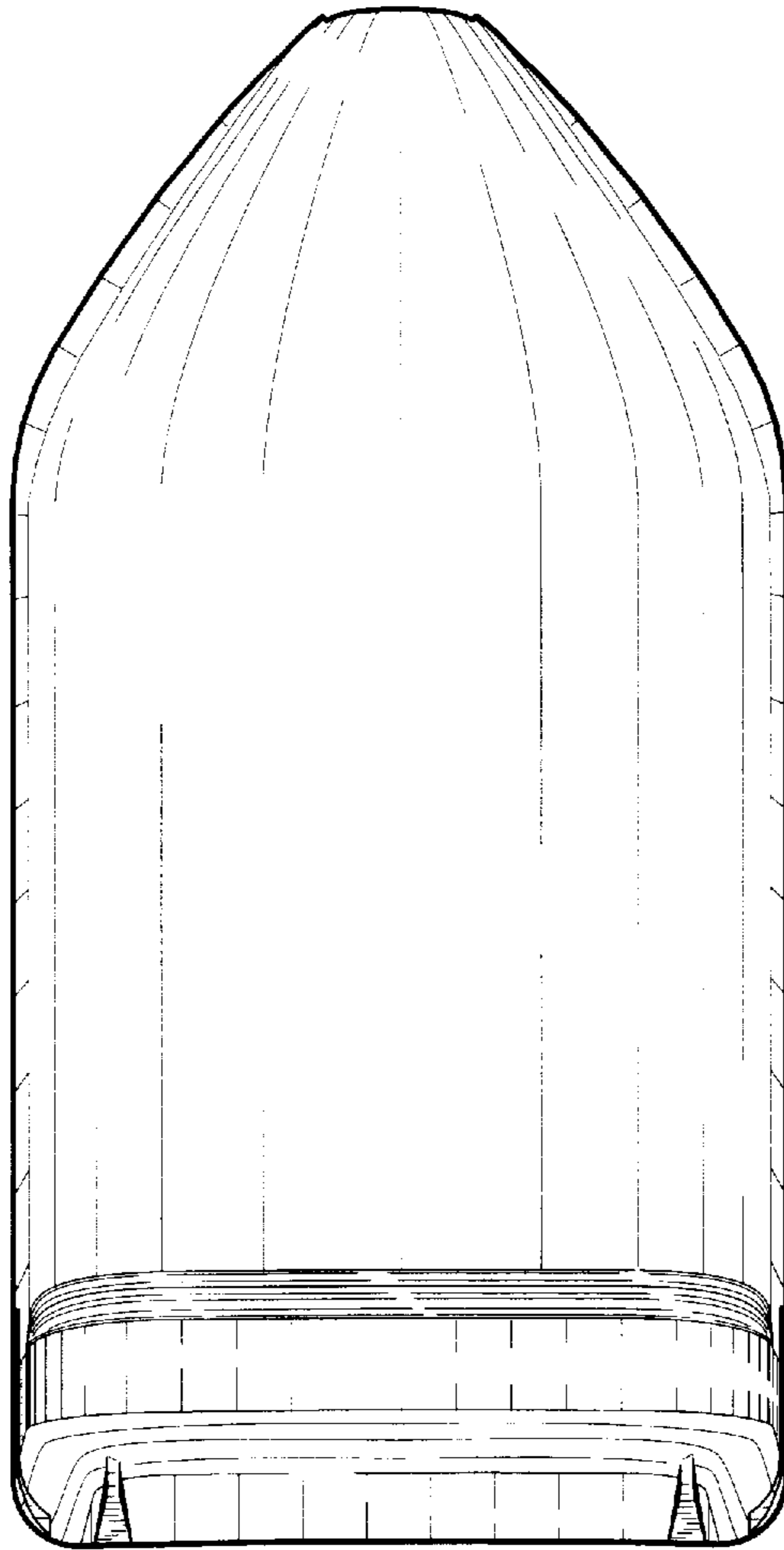


FIG. 2

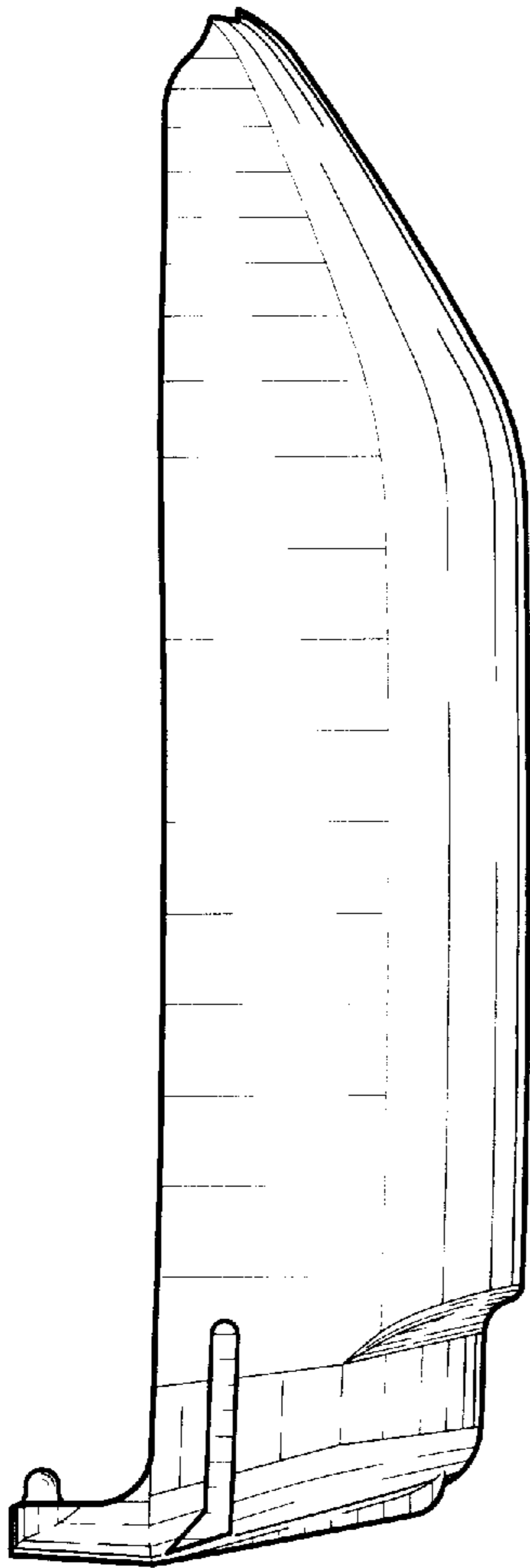


FIG. 3

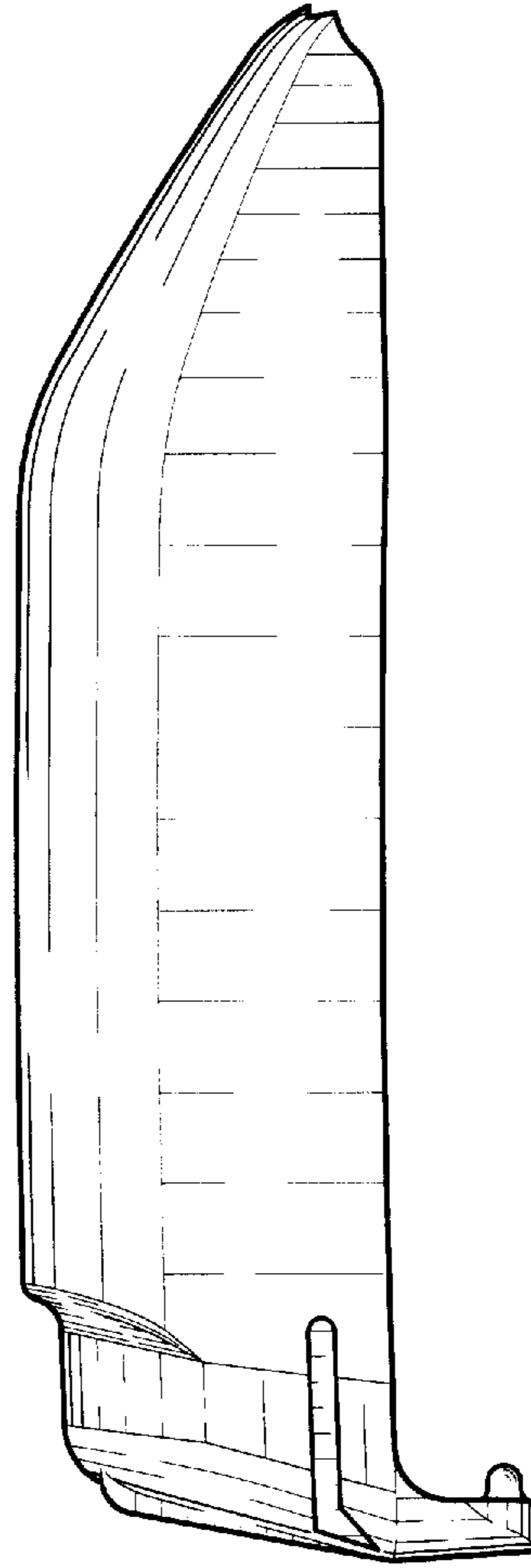


FIG. 4

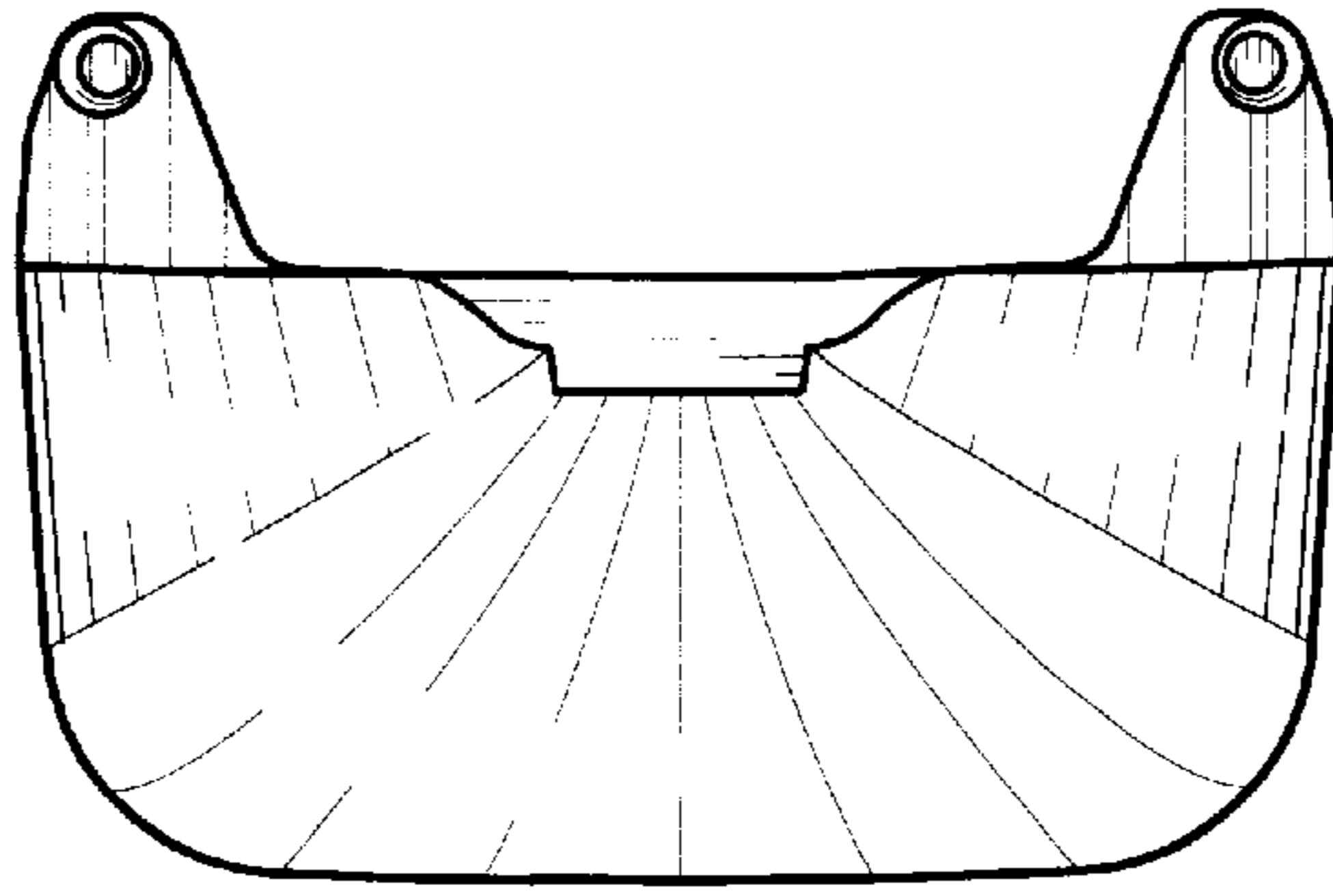


FIG. 5

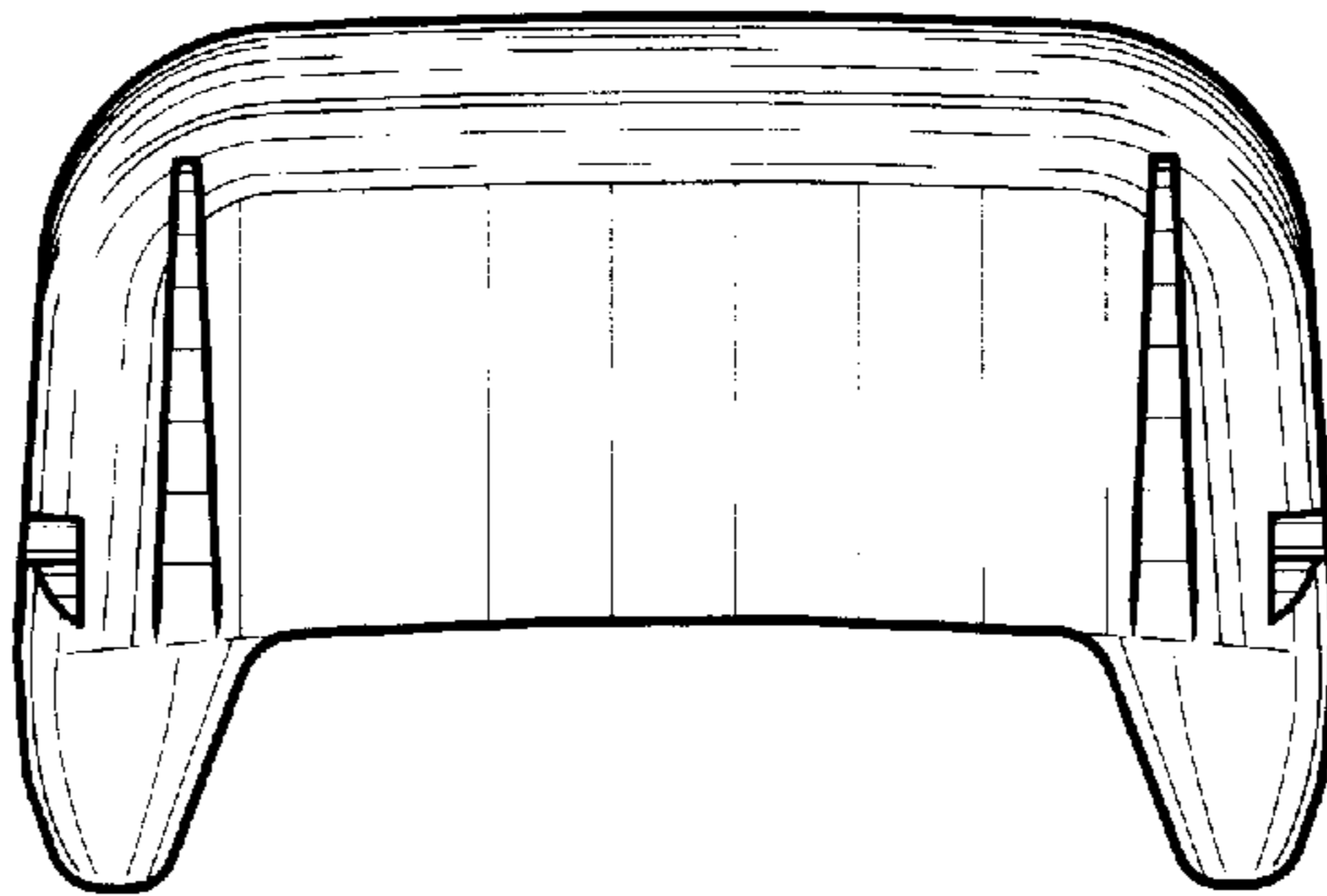


FIG. 6

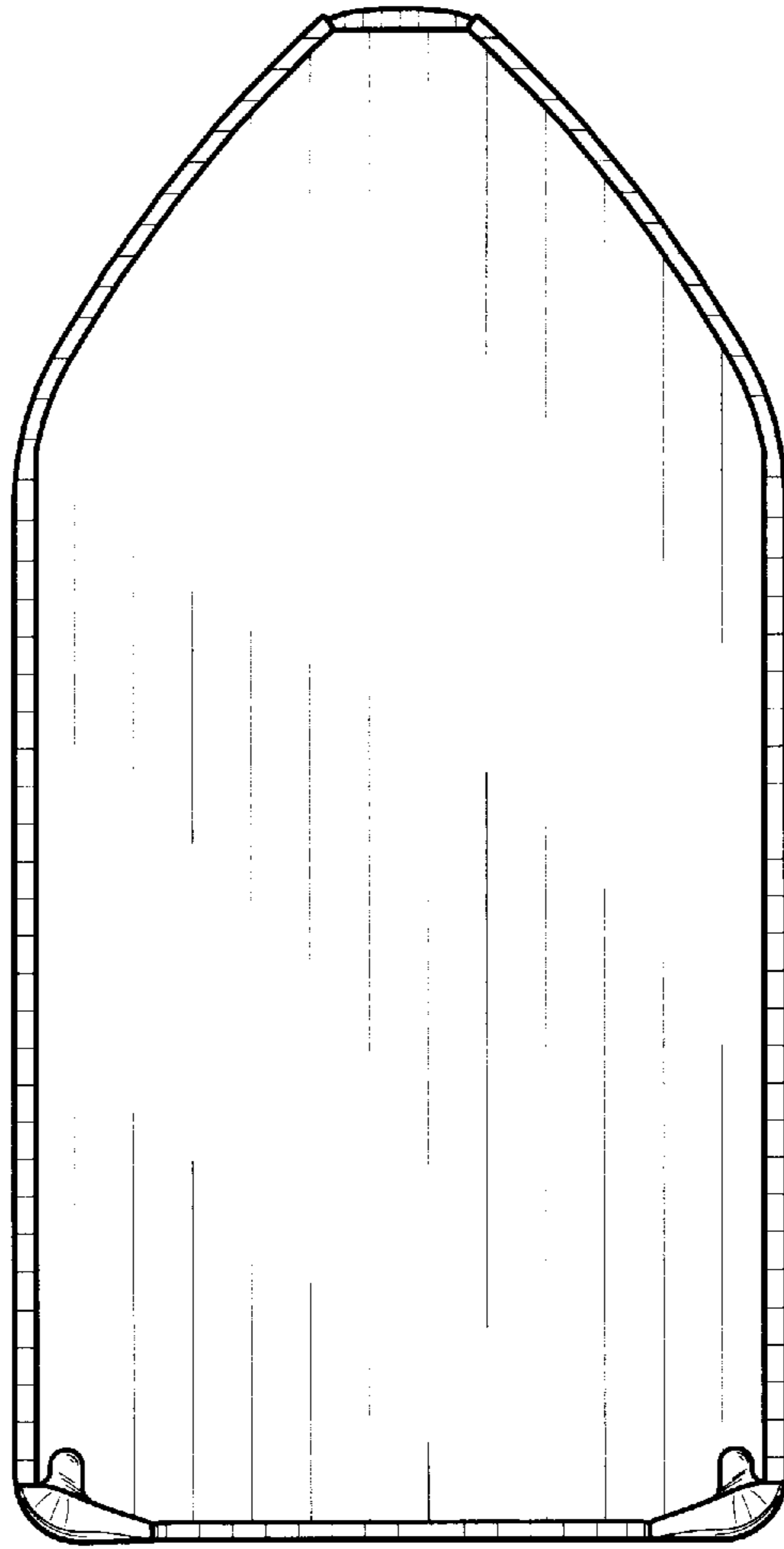


FIG. 7