



US00D400494S

United States Patent [19] Blase

[11] **Patent Number: Des. 400,494**

[45] **Date of Patent: **Nov. 3, 1998**

[54] **RECHARGEABLE BATTERY**

[75] Inventor: **Dan Blase**, Everett, Wash.

[73] Assignee: **Intermec Corporation**, Everett, Wash.

[**] Term: **14 Years**

[21] Appl. No.: **59,622**

[22] Filed: **Sep. 13, 1996**

[51] **LOC (6) Cl. 13-02**

[52] **U.S. Cl. D13/103**

[58] **Field of Search D13/103, 118,
D13/119; 429/96-100, 163, 176**

[56] **References Cited**

U.S. PATENT DOCUMENTS

D. 225,109	11/1972	Flider	D13/103
D. 356,776	3/1995	Yoshii	D13/103
D. 362,424	9/1995	Sumita et al.	D13/103
2,225,460	12/1940	Porth	136/135
2,266,686	12/1941	Emanuel	136/6
4,123,598	10/1978	Hammel	429/159
4,315,364	2/1982	Leffingwell	29/623.1
4,329,406	5/1982	Dahl et al.	429/92
4,530,034	7/1985	Kawarada	362/9
4,576,880	3/1986	Verdier et al.	429/99
4,637,965	1/1987	Davis	429/1
4,737,420	4/1988	Ikeda et al.	429/1
4,943,498	7/1990	Cooper et al.	429/97
4,969,206	11/1990	Desrochers	455/89
4,997,731	3/1991	Machida et al.	429/90
5,111,128	5/1992	Branan, Jr. et al.	320/2
5,183,714	2/1993	Mitsui et al.	429/123

5,208,116	5/1993	Joh	429/96
5,227,262	7/1993	Ozer	429/98
5,248,927	9/1993	Takei et al.	320/2
5,415,947	5/1995	Mitsui et al.	429/1

FOREIGN PATENT DOCUMENTS

9112374	2/1992	Germany .
1487604	10/1977	United Kingdom .

OTHER PUBLICATIONS

VCR and Camcorder Batteries on p. 108 of *MCM Electronics* Summer 1991 catalog.
Sony Rechargeable Battery Pack, NP-55/55H/66/66H/77/77H Instruction Sheet © 1991.

Primary Examiner—Joel Sincavage
Attorney, Agent, or Firm—Seed and Berry LLP

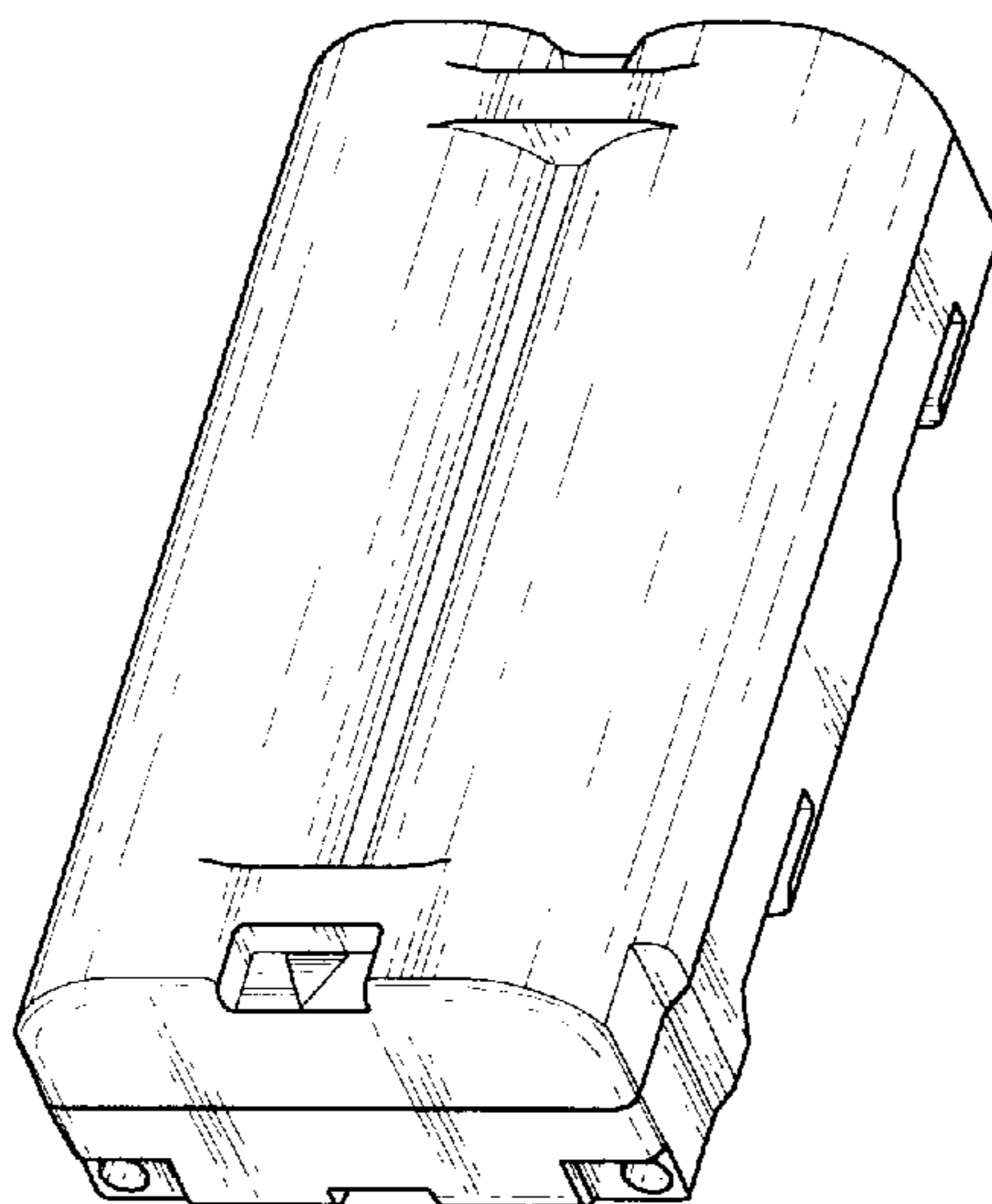
[57] **CLAIM**

The ornamental design for a rechargeable battery, as shown and described.

DESCRIPTION

FIG. 1 is a top front isometric view of a rechargeable battery showing my new design;
FIG. 2 is a bottom rear isometric view thereof;
FIG. 3 is a top plan view thereof;
FIG. 4 is a bottom plan view thereof;
FIG. 5 is a right side elevational view thereof;
FIG. 6 is a left side elevational view thereof;
FIG. 7 is a front elevational view thereof; and,
FIG. 8 is a rear elevational view thereof.

1 Claim, 2 Drawing Sheets



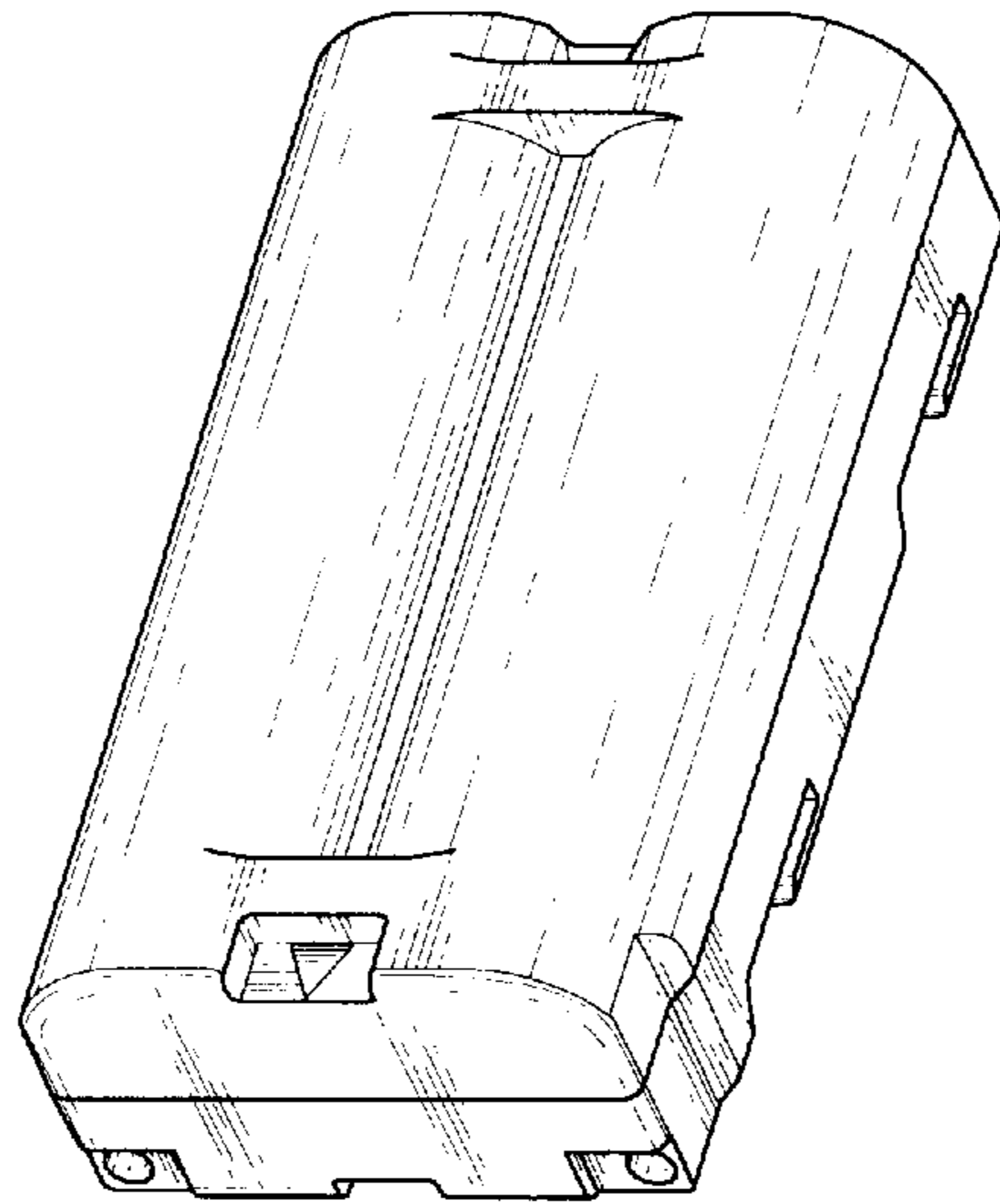


Fig. 1

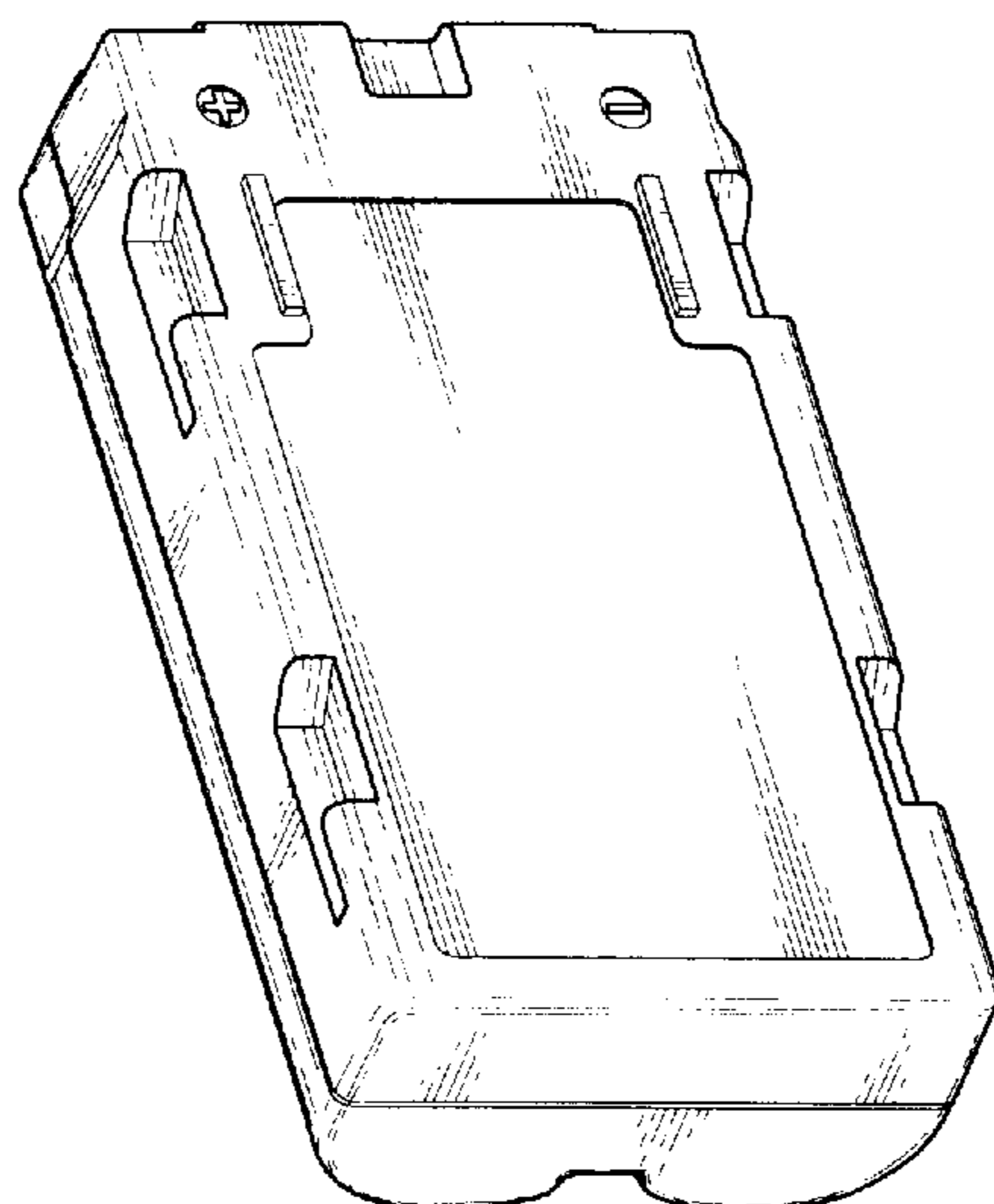


Fig. 2

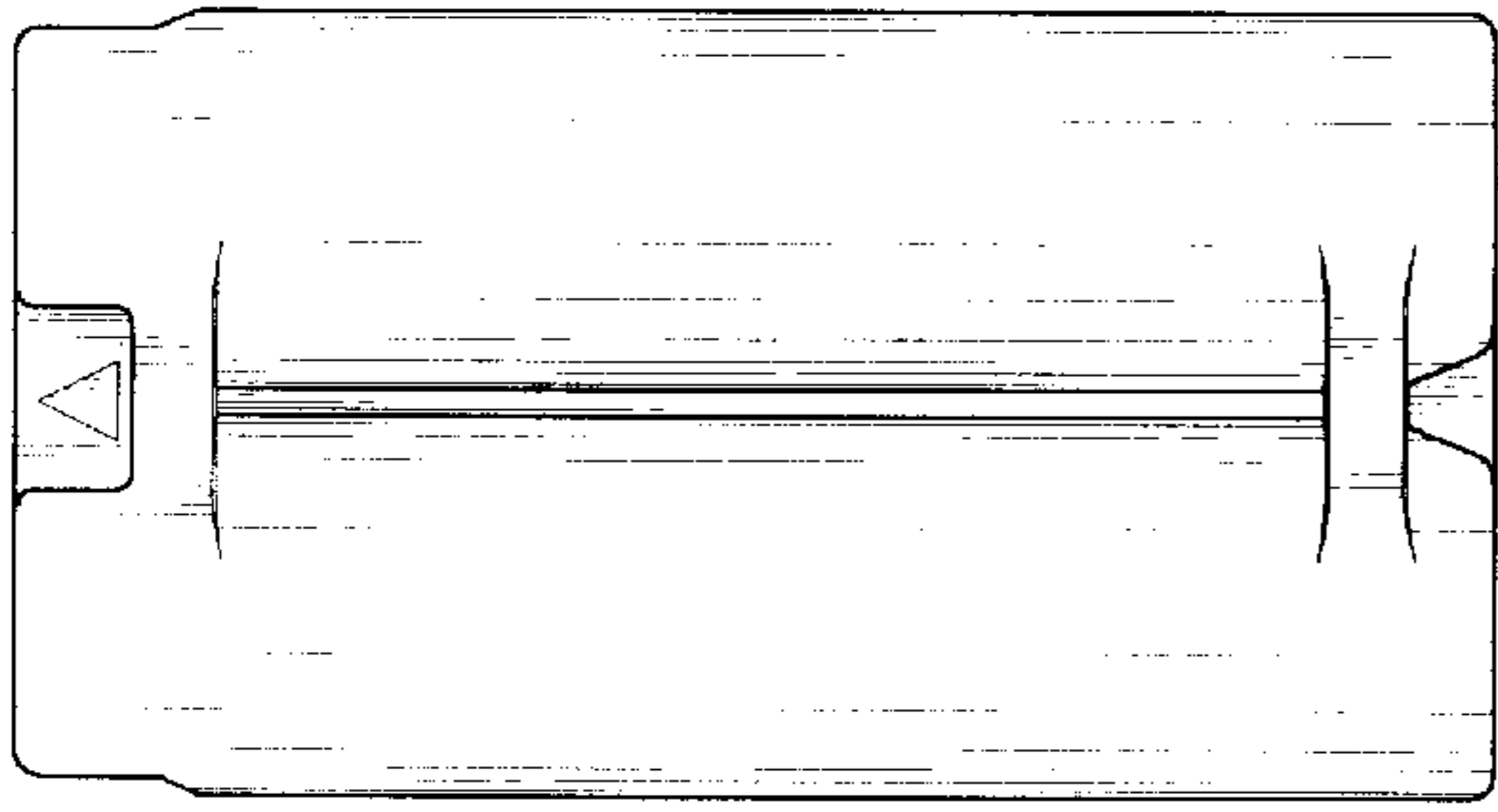


Fig. 3

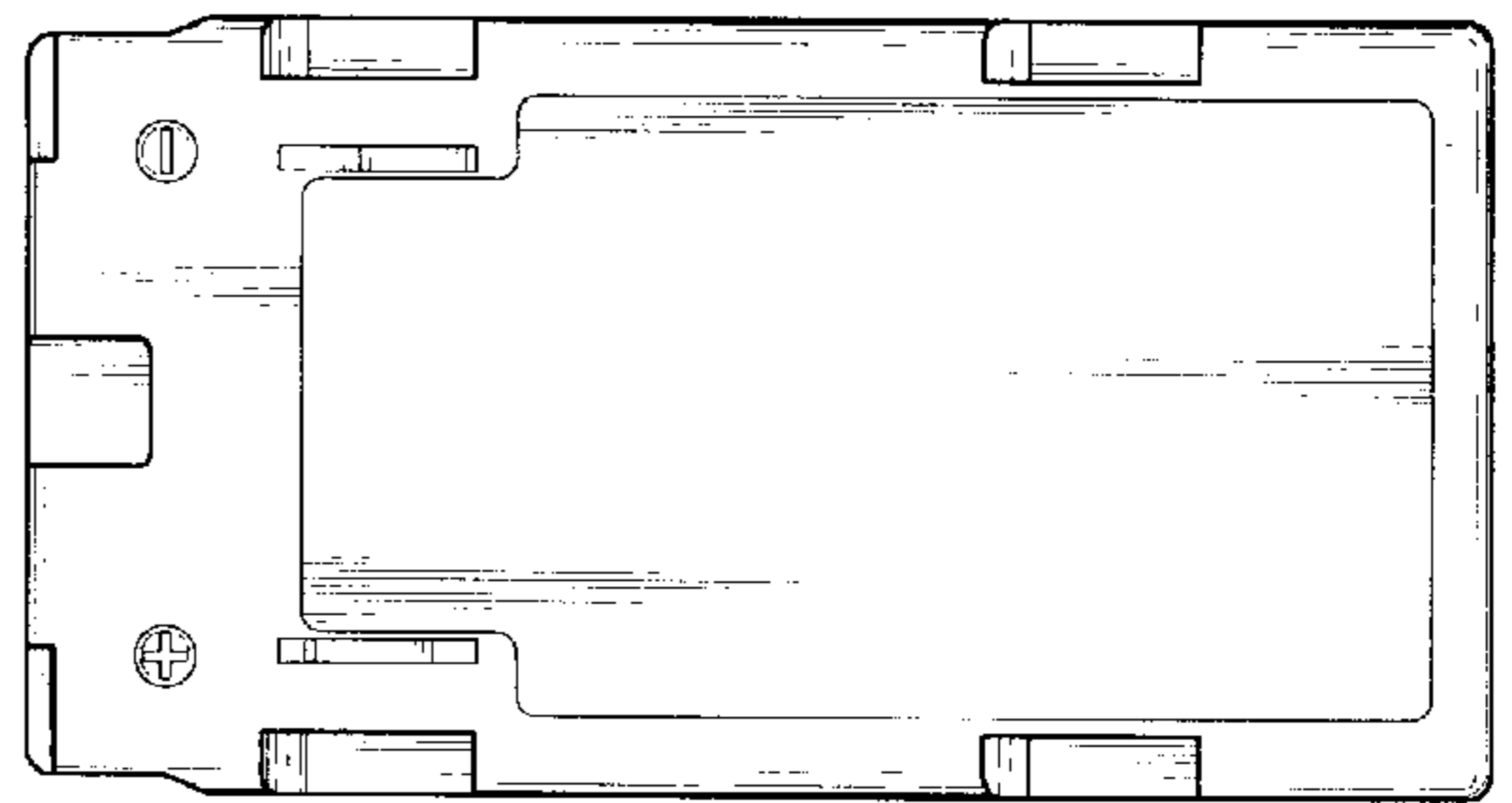


Fig. 4

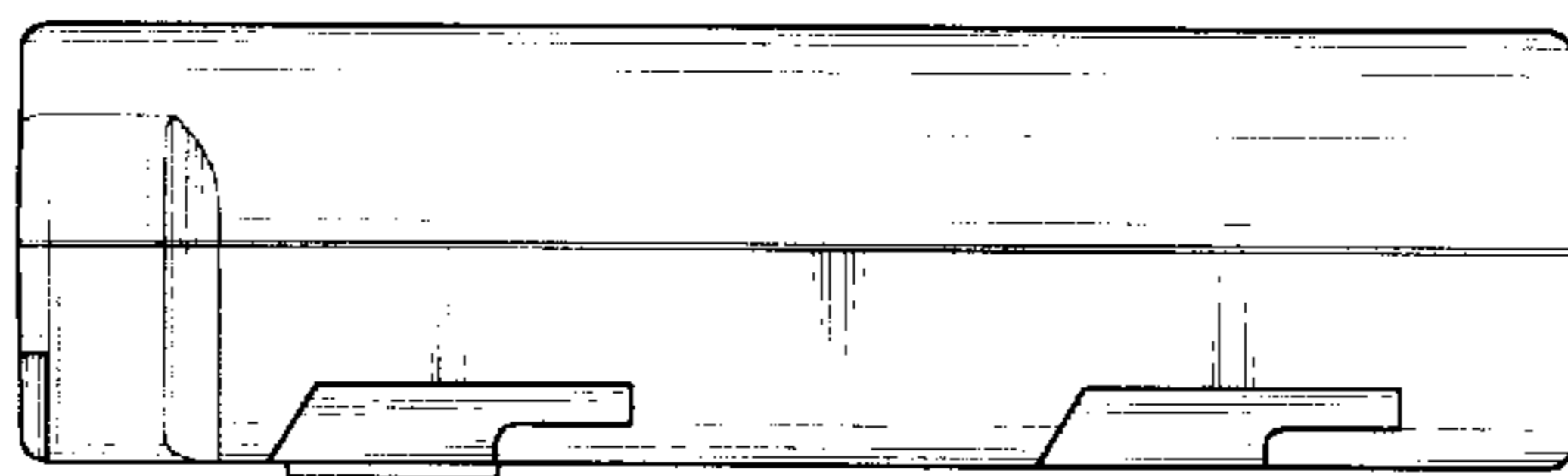


Fig. 5

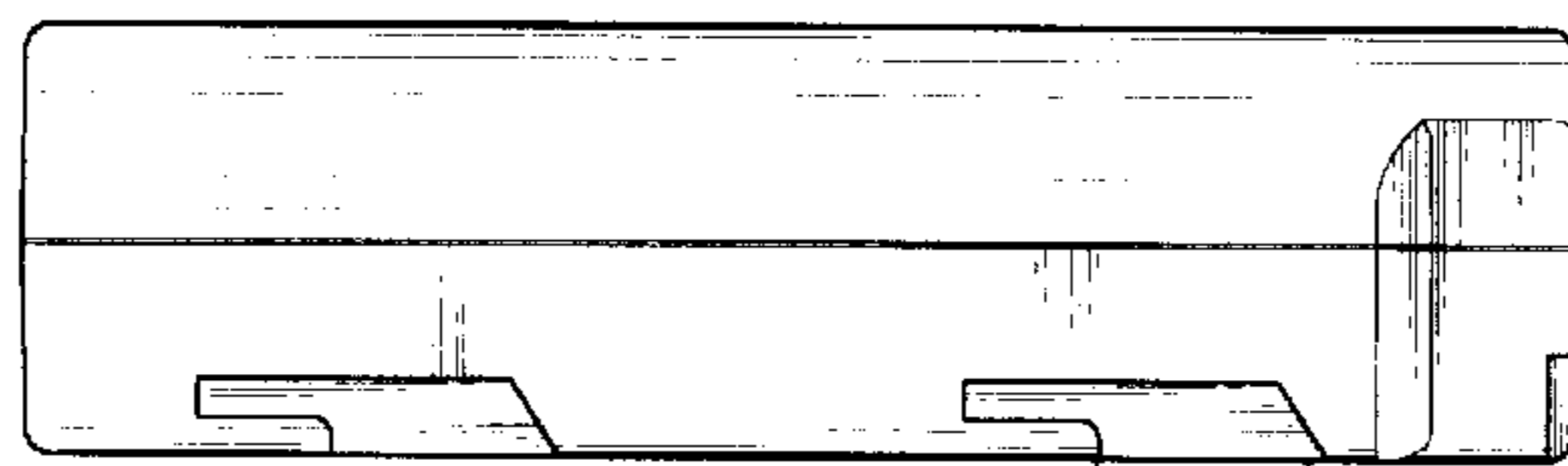


Fig. 6

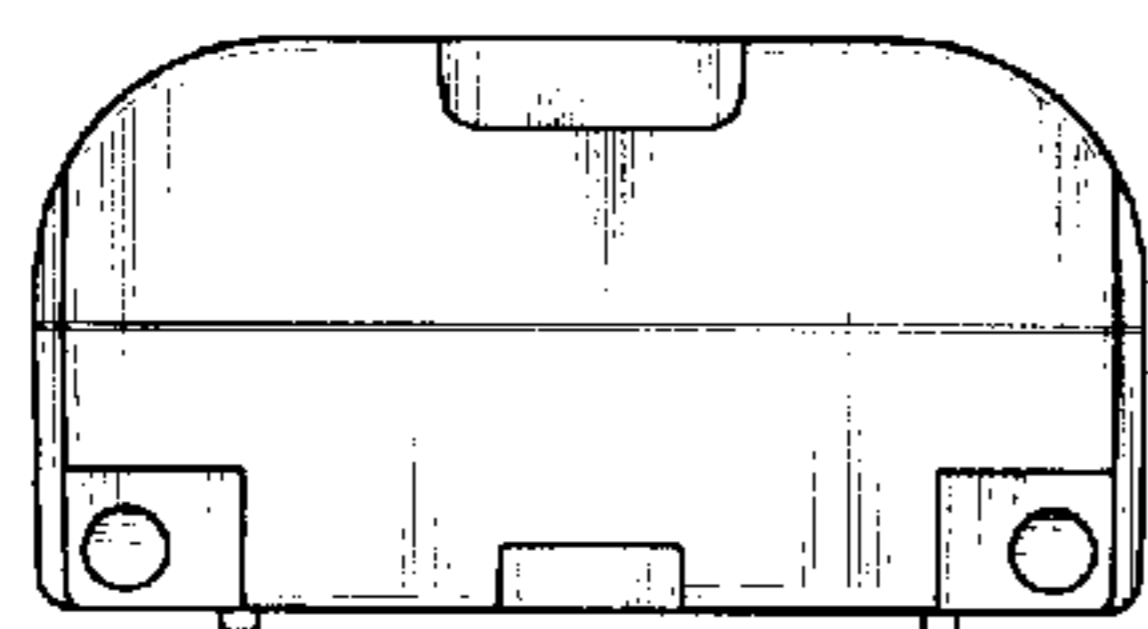


Fig. 7

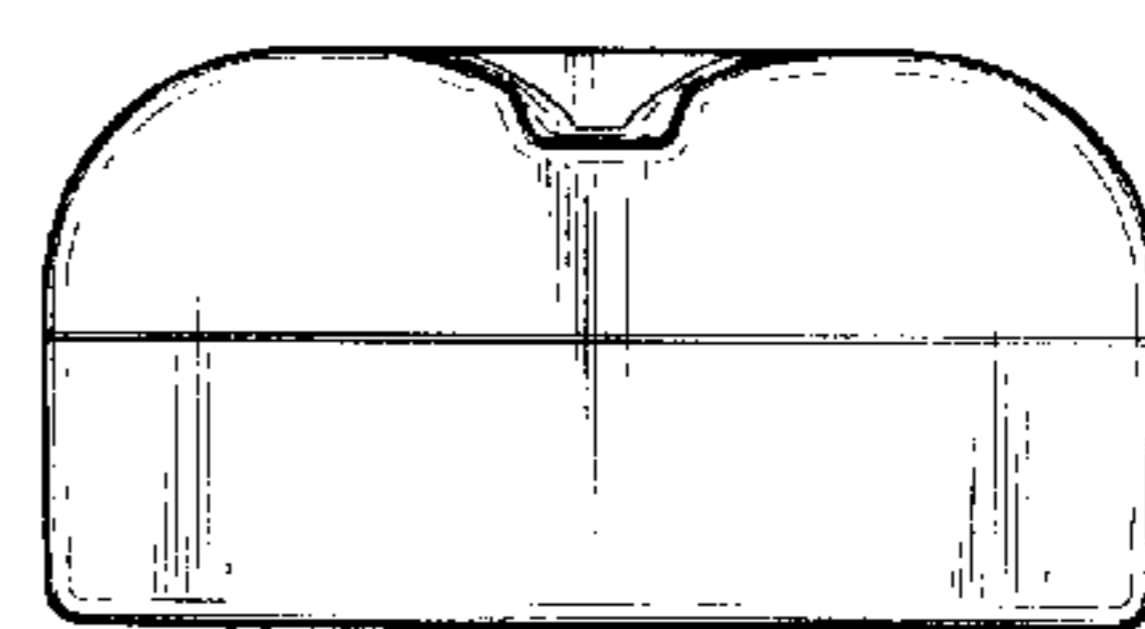


Fig. 8