



US00D400492S

United States Patent [19]
Bachmann

[11] **Patent Number: Des. 400,492**
[45] **Date of Patent: **Nov. 3, 1998**

[54] **DETACHABLE EXTERNAL WATER BALLAST BAGS FOR SAILBOATS**

4,441,445 4/1984 De Weck .
4,516,516 5/1985 Methven 114/39
4,759,307 7/1988 Scott 114/125
4,972,788 11/1990 Berger 114/61
5,060,591 10/1991 Ciavarra .

[75] Inventor: **Helmuth G. Bachmann**, Sunnyvale, Calif.

[73] Assignee: **Helmuth Bachmann**, Sunnyvale, Calif.

Primary Examiner—Kay H. Chin

[**] Term: **14 Years**

[57] **CLAIM**

[21] Appl. No.: **80,453**

The ornamental design for a detachable external water ballast bags for sailboats, as shown.

[22] Filed: **Dec. 10, 1997**

DESCRIPTION

[51] **LOC (6) Cl.** **12-06**

[52] **U.S. Cl.** **D12/317; D12/303**

[58] **Field of Search** D12/303, 317, D12/318; 114/39.1, 121, 125, 138, 61

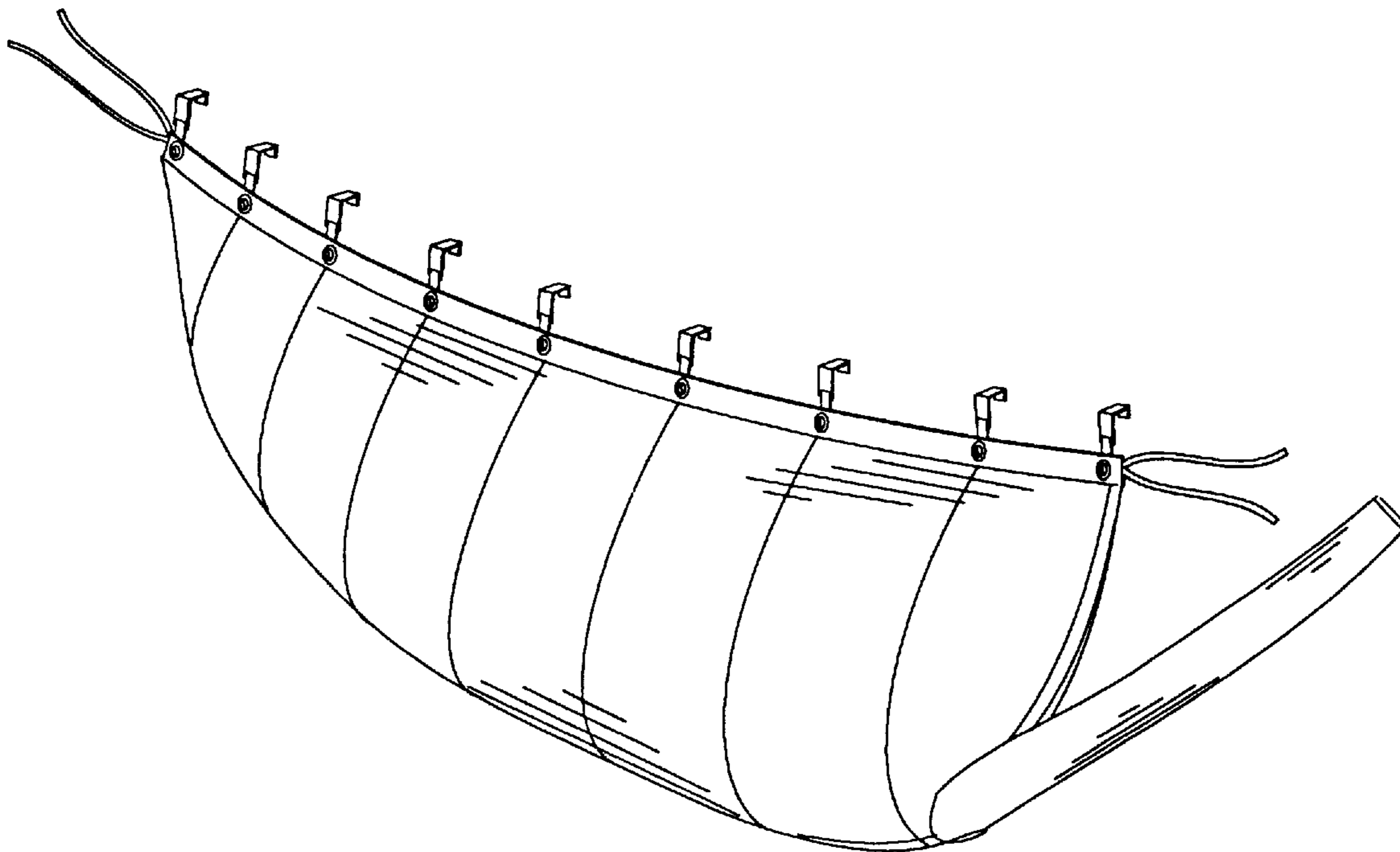
FIG. 1 is a perspective view of the detachable external water ballast bags for sailboats;
FIG. 2 is a side view thereof;
FIG. 3 is a front view thereof; and,
FIG. 4 is a rear view thereof.

[56] **References Cited**

U.S. PATENT DOCUMENTS

4,217,845 8/1980 Hood .

1 Claim, 1 Drawing Sheet



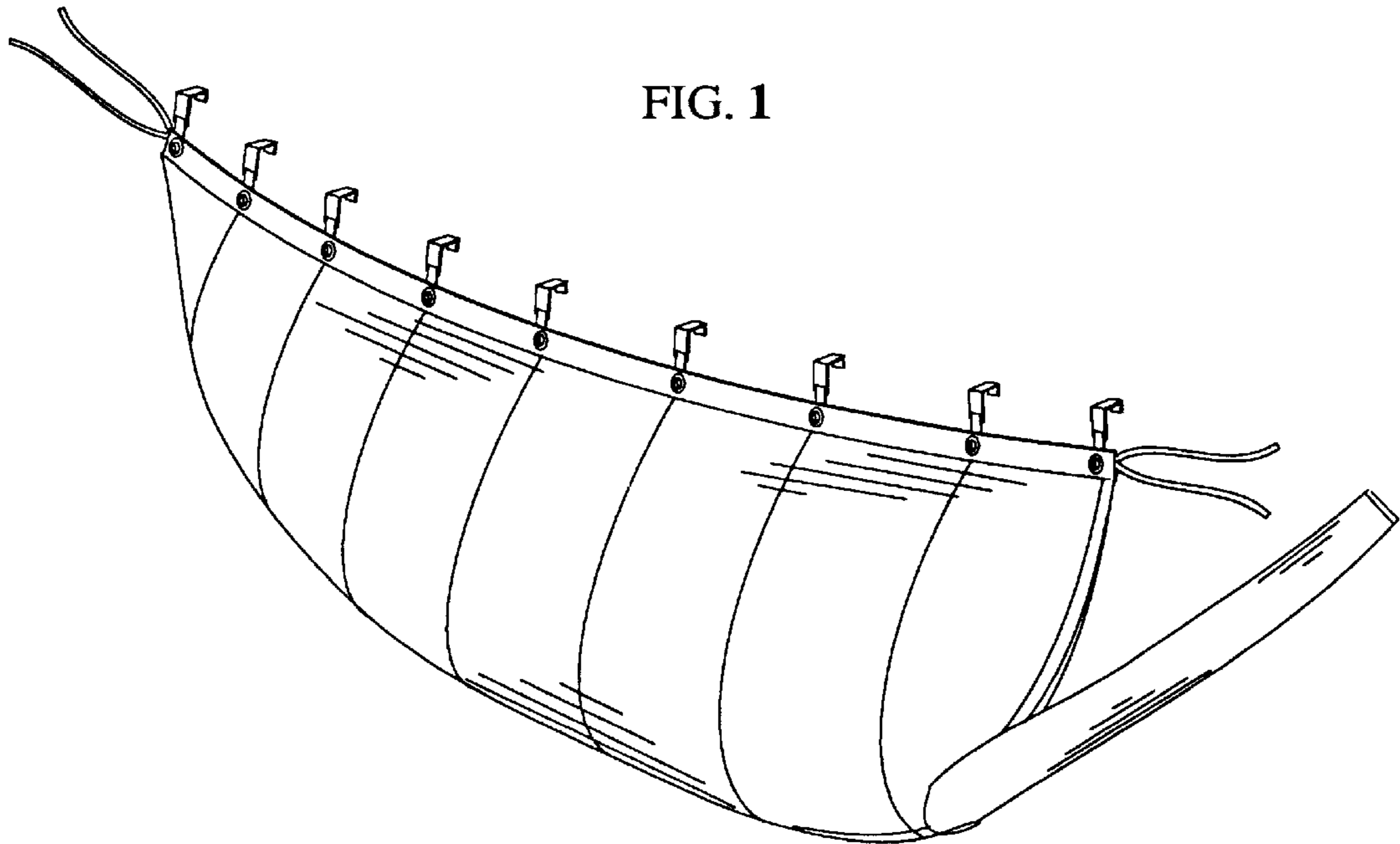


FIG. 1

FIG. 2

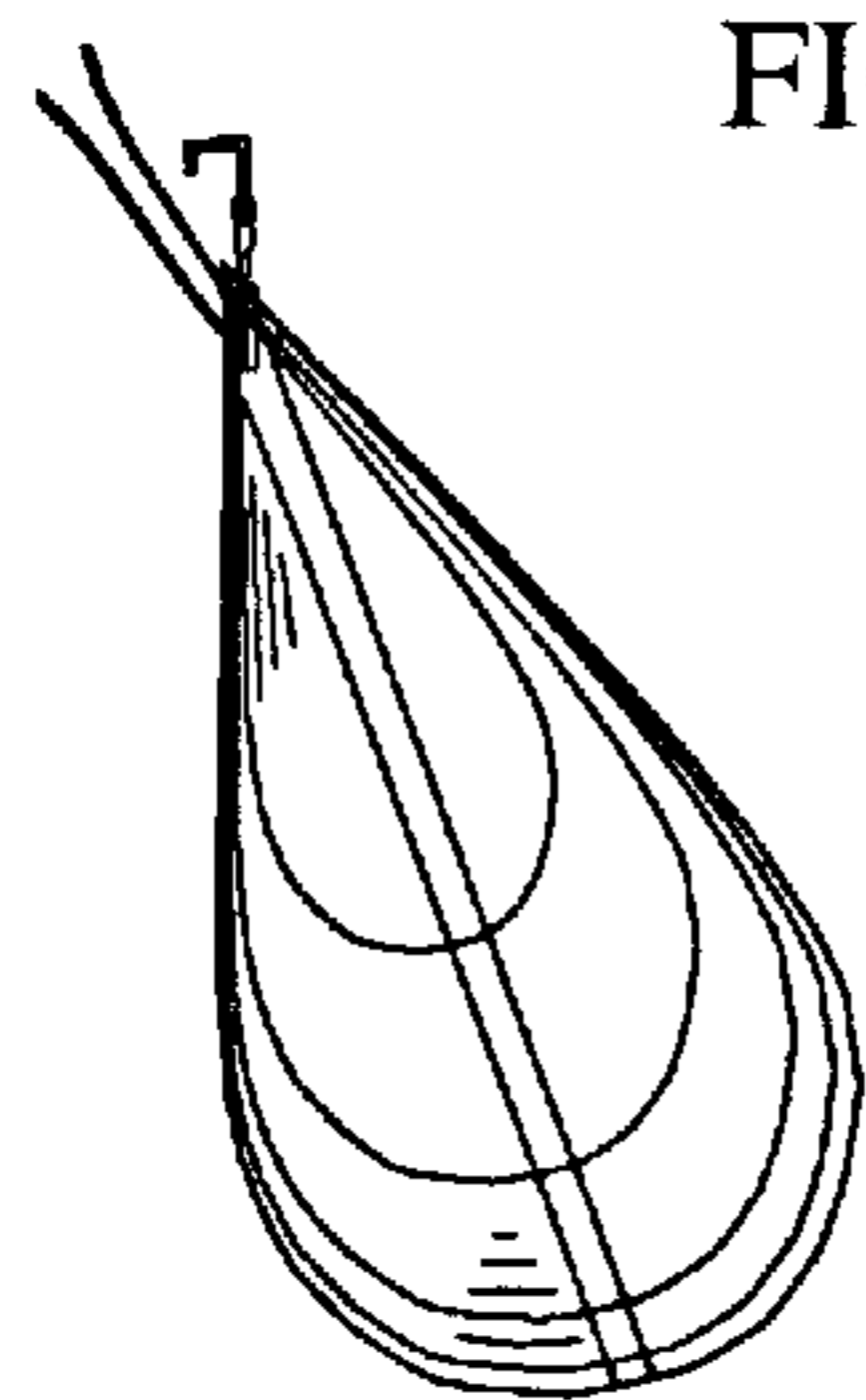
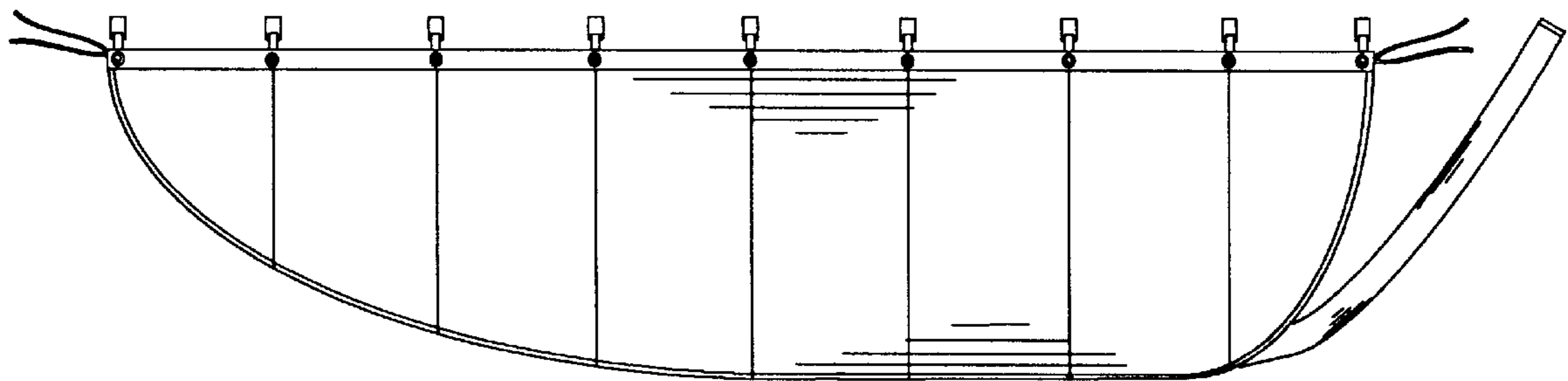


FIG. 3



FIG. 4