



US00D400491S

United States Patent [19]
Hagenbuch

[11] **Patent Number: Des. 400,491**
[45] **Date of Patent: **Nov. 3, 1998**

[54] **TRUCK HOIST CYLINDER MOUNT**

Attorney, Agent, or Firm—Leydig, Voit & Mayer, Ltd.

[76] Inventor: **LeRoy G. Hagenbuch**, 502 W. Northgate Rd., Peoria, Ill. 61614-2042

[57] **CLAIM**

[**] Term: **14 Years**

The ornamental design for a truck hoist cylinder mount, as shown and described.

[21] Appl. No.: **39,541**

DESCRIPTION

[22] Filed: **May 26, 1995**

[51] **LOC (6) Cl.** **08-05**

[52] **U.S. Cl.** **D12/223**

[58] **Field of Search** D8/349, 354; 248/300, 248/200, 231.41; 296/98, 37.6; D12/223

FIG. 1 is a top perspective view of a truck hoist cylinder mount according to my new design, here showing the cylinder mount connected to a truck frame indicated in broken lines and not forming a part of the design;

FIG. 2 is a bottom perspective view thereof;

FIG. 3 is a side elevational view thereof;

FIG. 4 is a top plan view thereof;

FIG. 5 is a bottom view thereof;

FIG. 6 is a front elevational view thereof; and,

FIG. 7 is a rear elevational view thereof.

[56] **References Cited**

U.S. PATENT DOCUMENTS

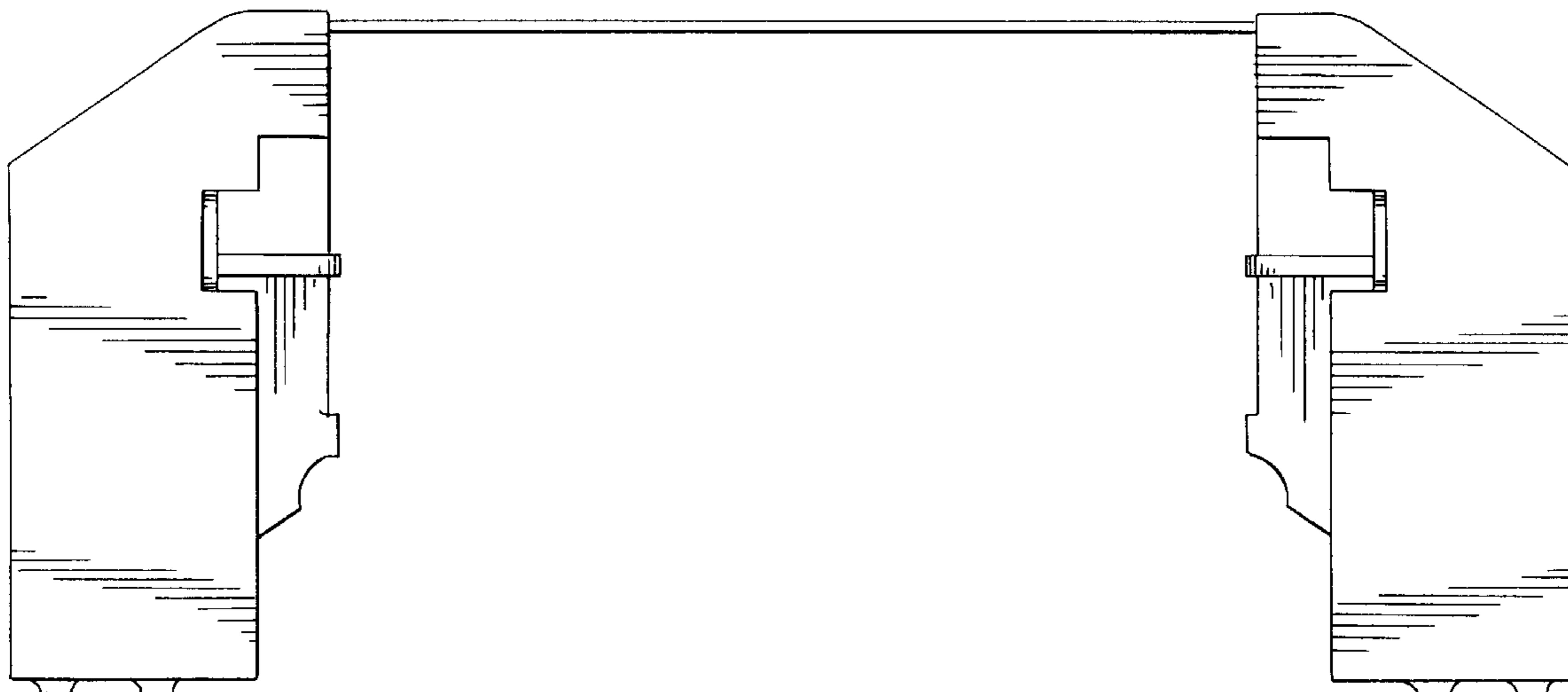
D. 205,793 9/1966 Holmes D8/354
D. 257,663 12/1980 McKee D8/354

OTHER PUBLICATIONS

Brochure—Volvo BM A35 6x6—Feb. 1992—241.
Brochure—Volvo BM A35 6x6—Mar. 1991—232.

Primary Examiner—Holly Baynham

1 Claim, 6 Drawing Sheets



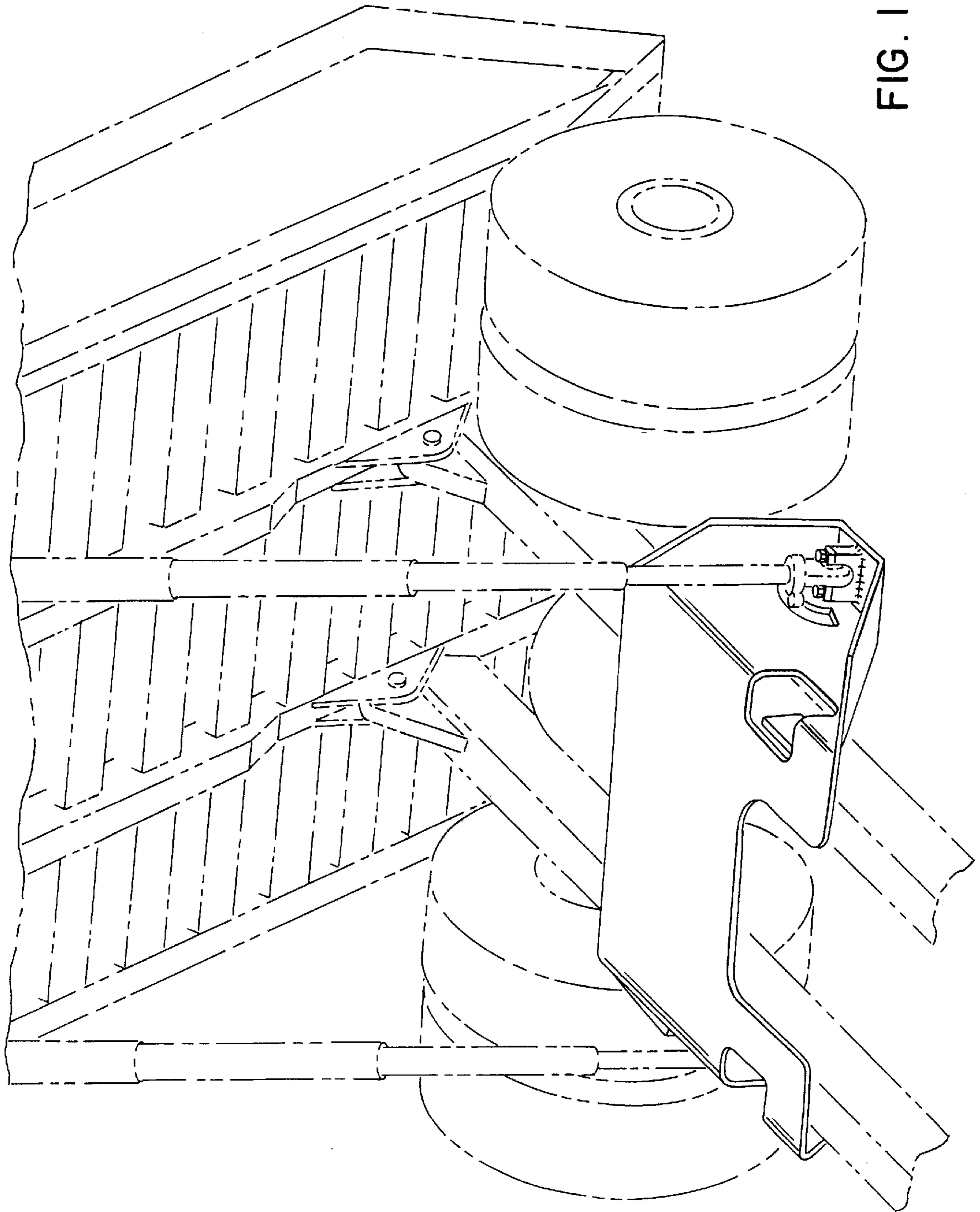


FIG. 1

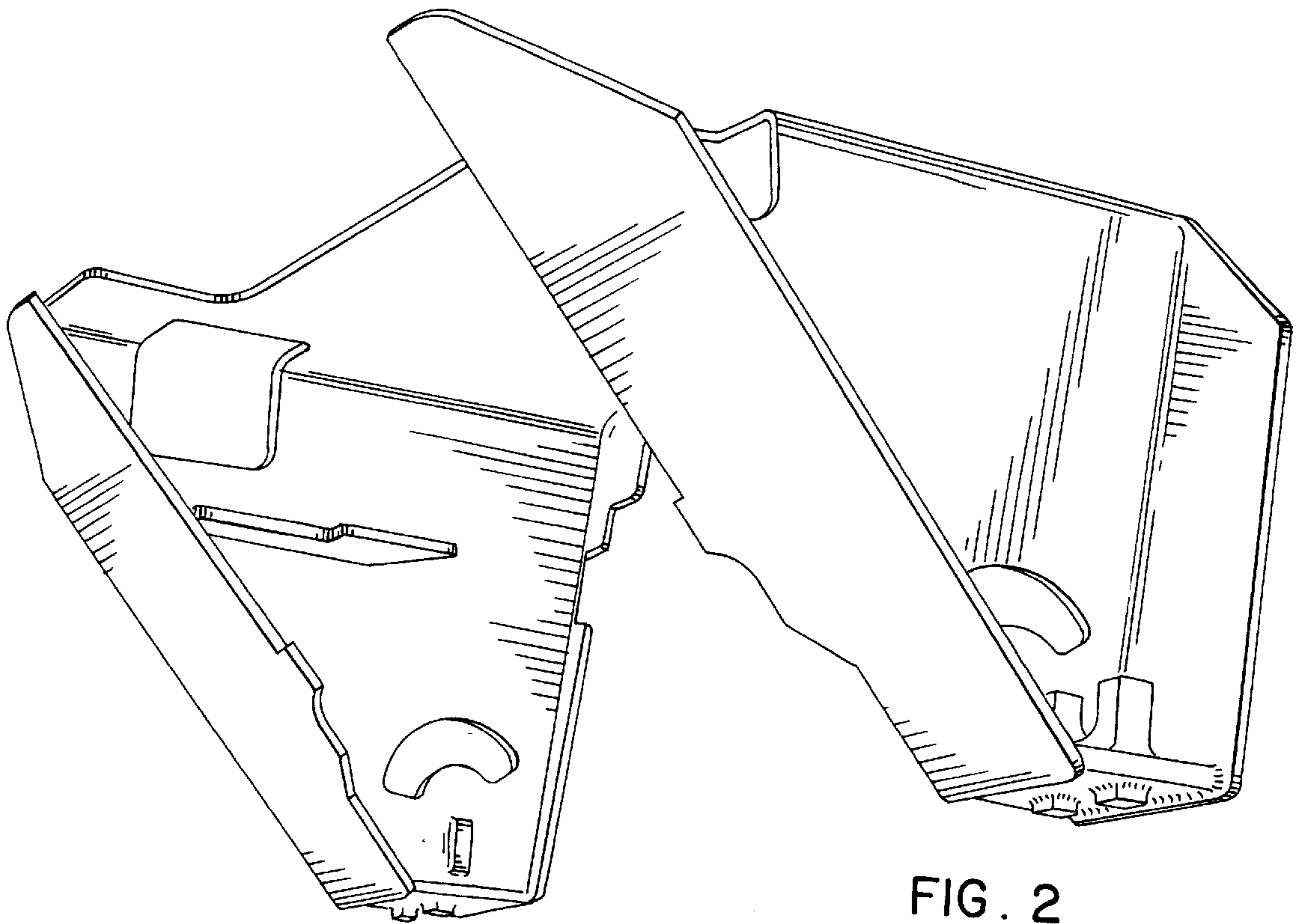


FIG. 2

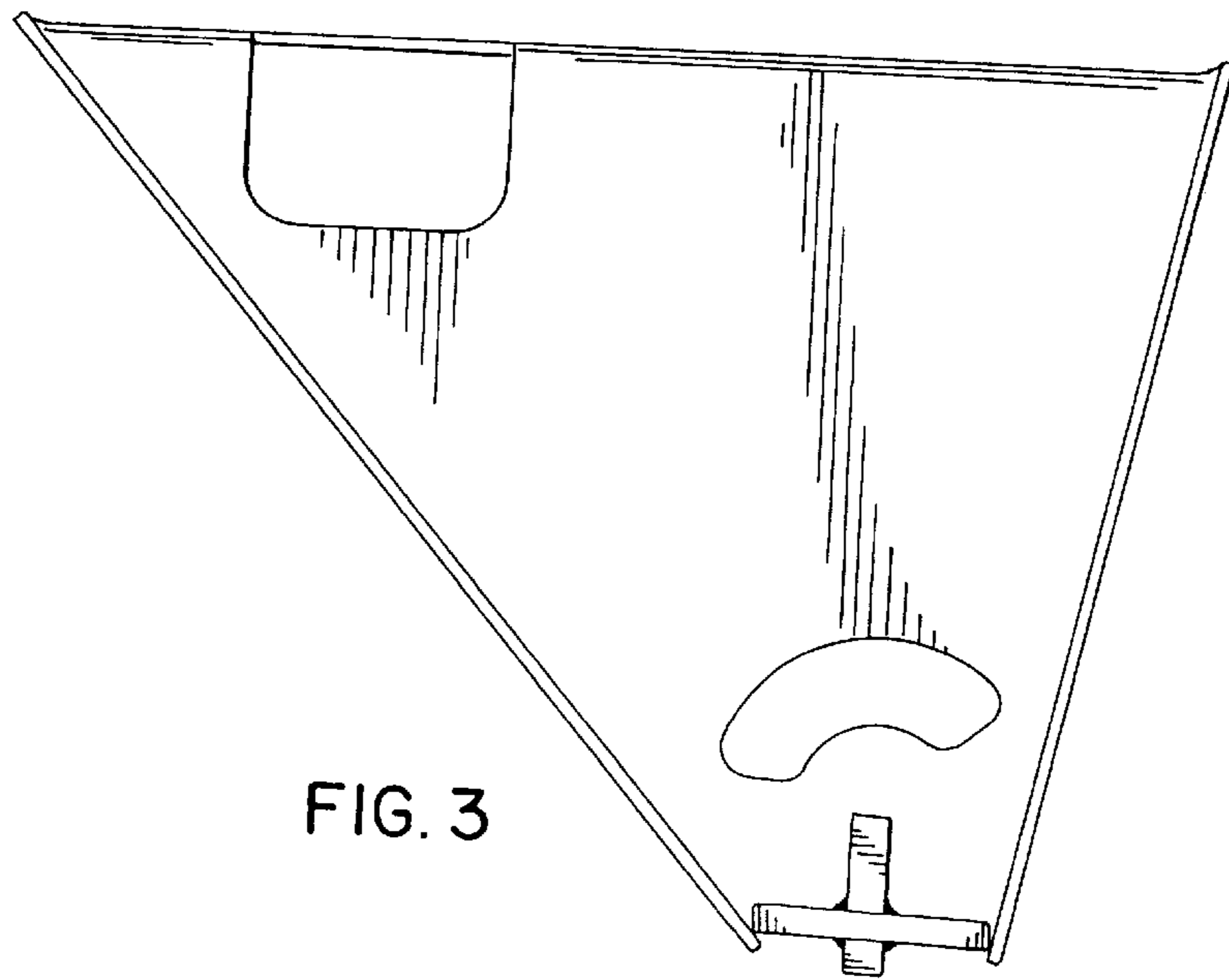


FIG. 3

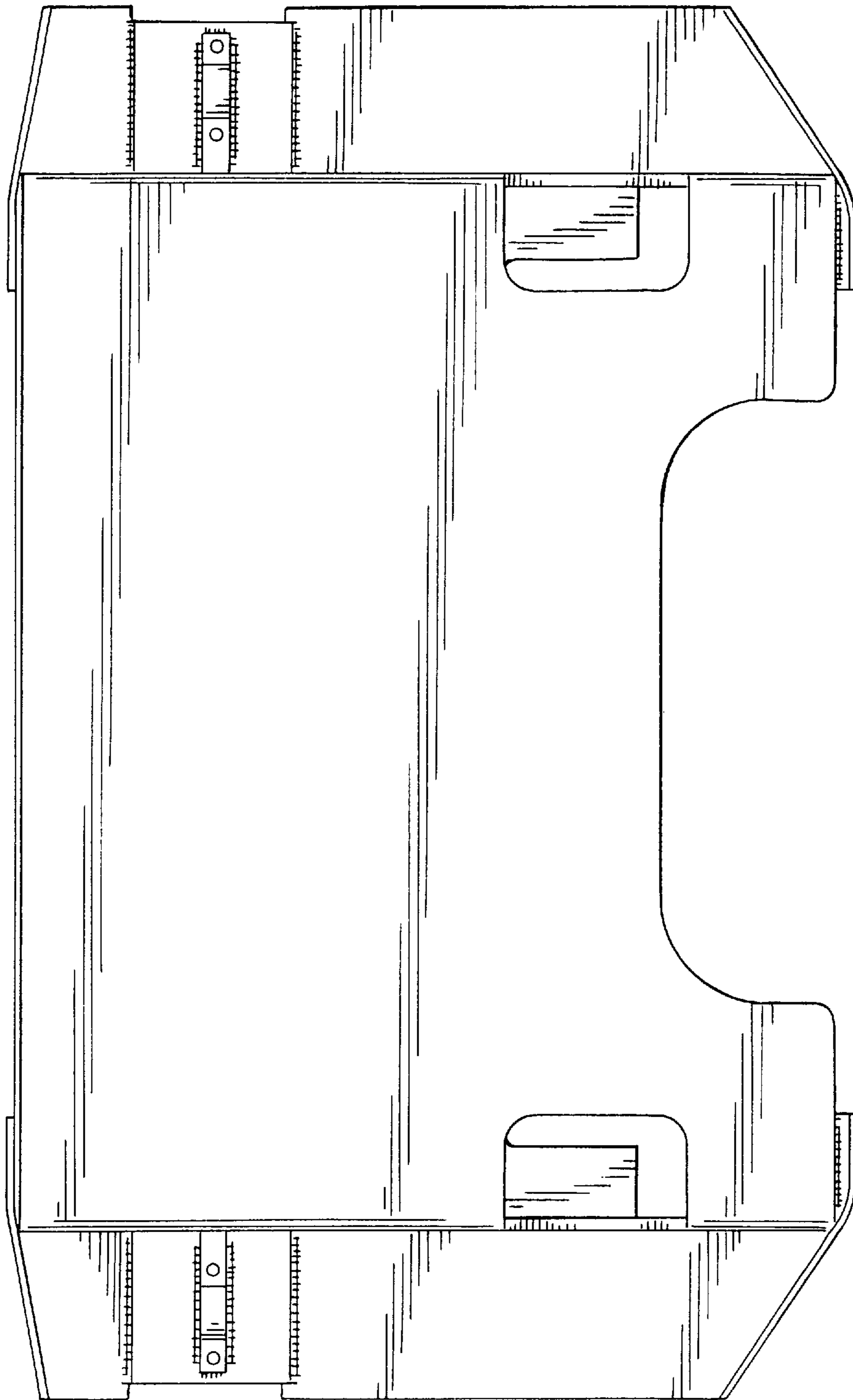


FIG. 4

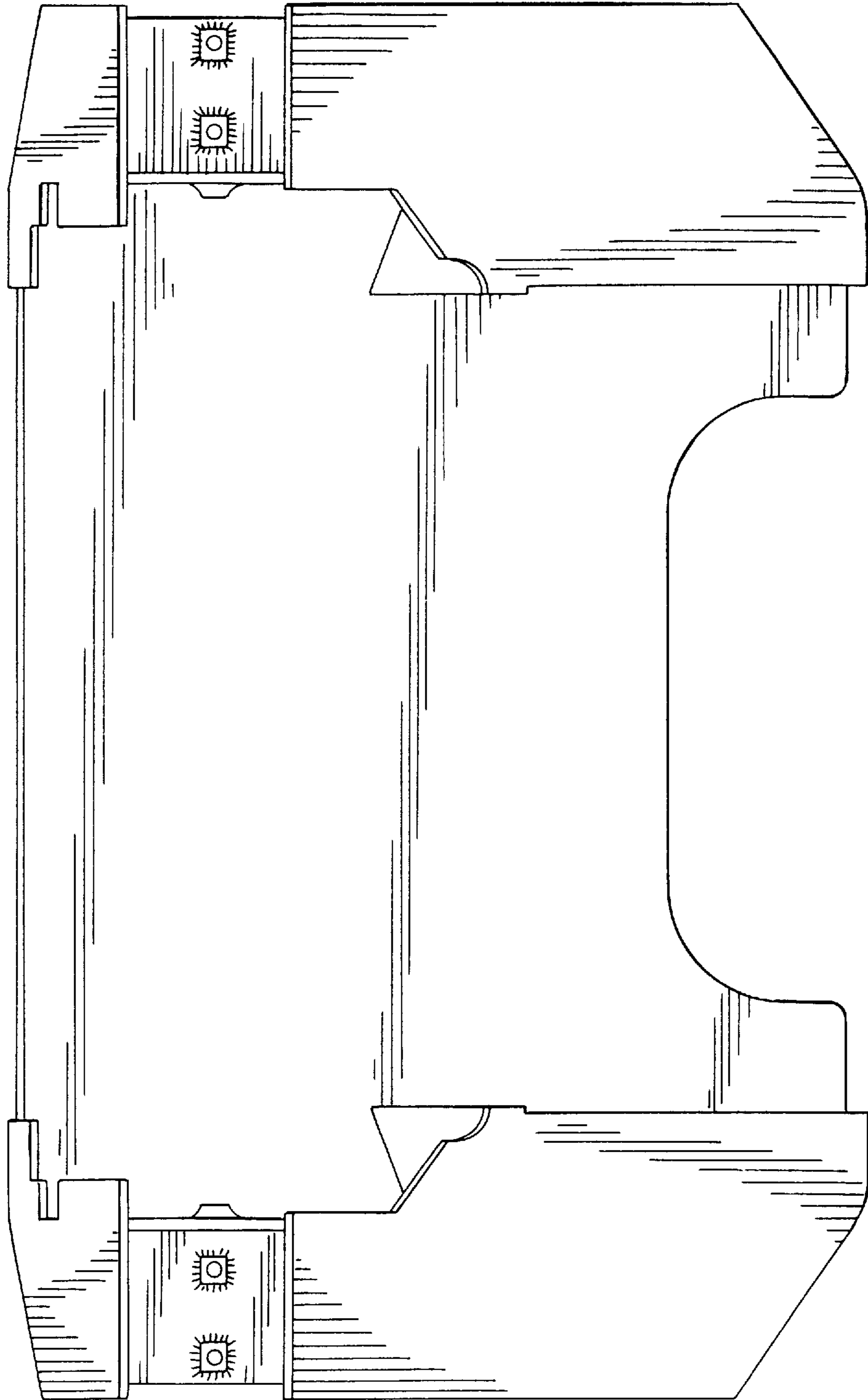


FIG. 5

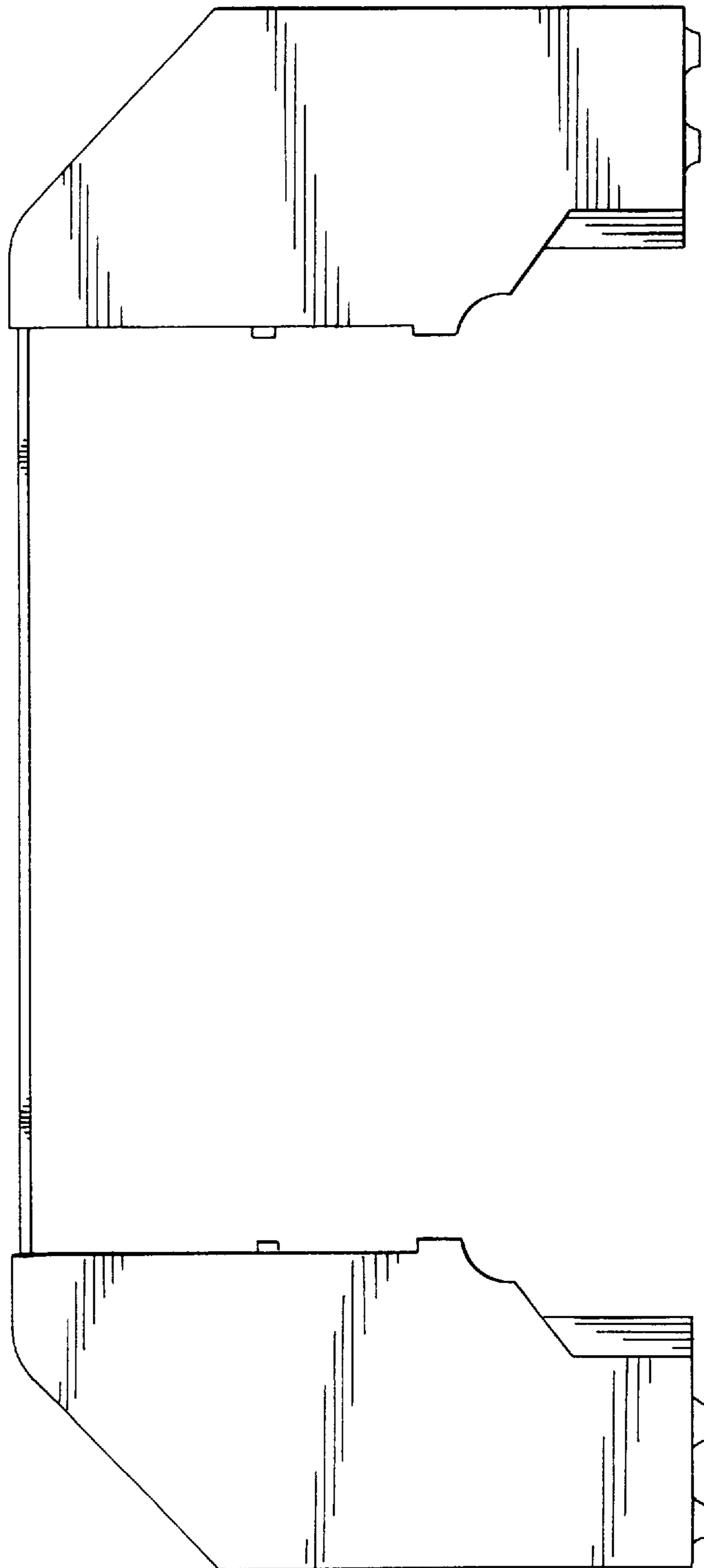


FIG. 6

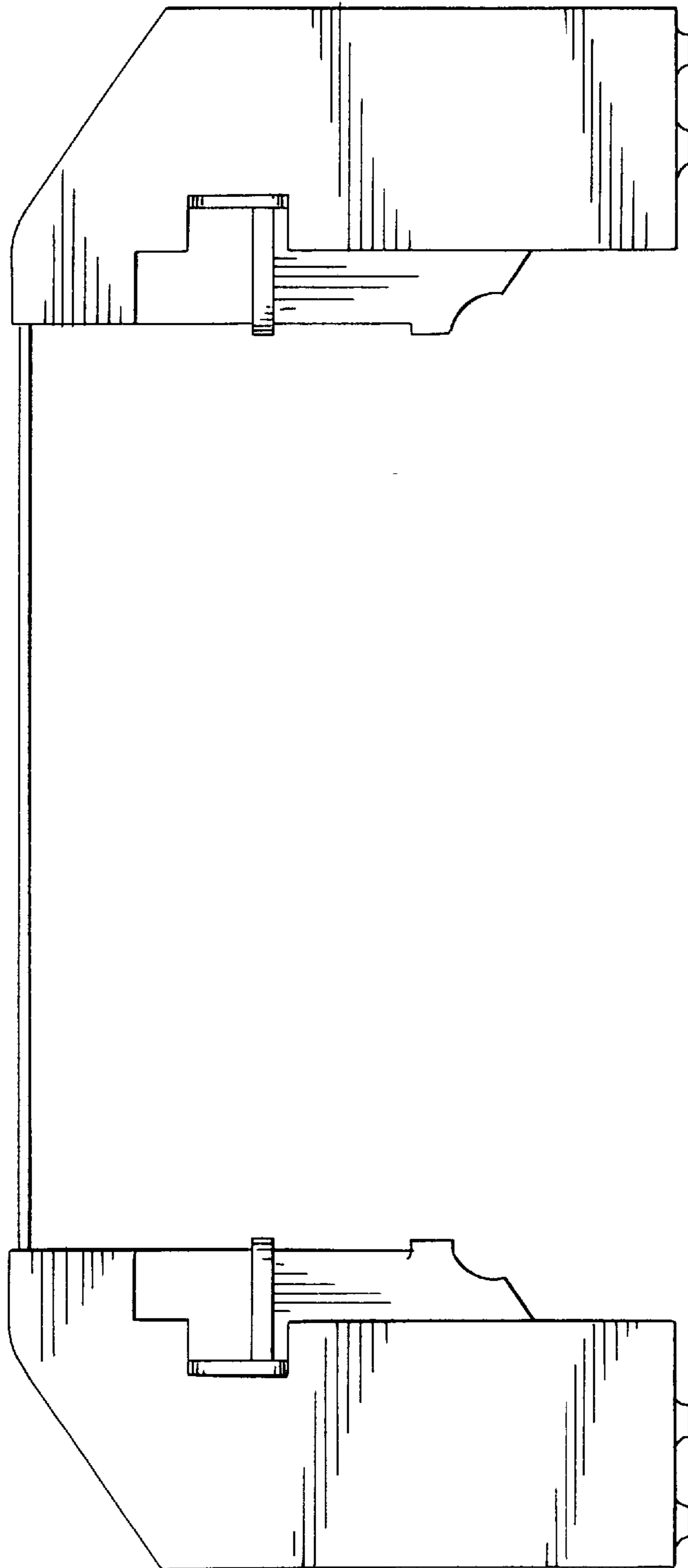


FIG. 7