



US00D400486S

United States Patent [19] Zentner

[11] **Patent Number: Des. 400,486**

[45] **Date of Patent: **Nov. 3, 1998**

[54] **PICKUP TRUCK RUNNING BOARD**

D. 361,973 9/1995 Hornik D12/203

[75] Inventor: **Edward Zentner**, Clarkston, Mich.

OTHER PUBLICATIONS

[73] Assignee: **Durakon Industries, Inc.**, Lapeer, Mich.

J.C. Whitney Catalog #578J, See "Custom-Fit Cab-Length Running Boards With Built-In Step", p. 111. Aug. 1995.

[**] Term: **14 Years**

Primary Examiner—James Gandy
Assistant Examiner—Stacia Sinuik
Attorney, Agent, or Firm—Brinks Hofer Gilson & Lione

[21] Appl. No.: **79,860**

[22] Filed: **Nov. 24, 1997**

[57] CLAIM

[51] **LOC (6) Cl.** **12-16**

[52] **U.S. Cl.** **D12/203**

[58] **Field of Search** D12/203, 190;
280/163, 164.1, 153.5, 848

The ornamental design for a pickup truck running board, as shown and described.

DESCRIPTION

[56] References Cited

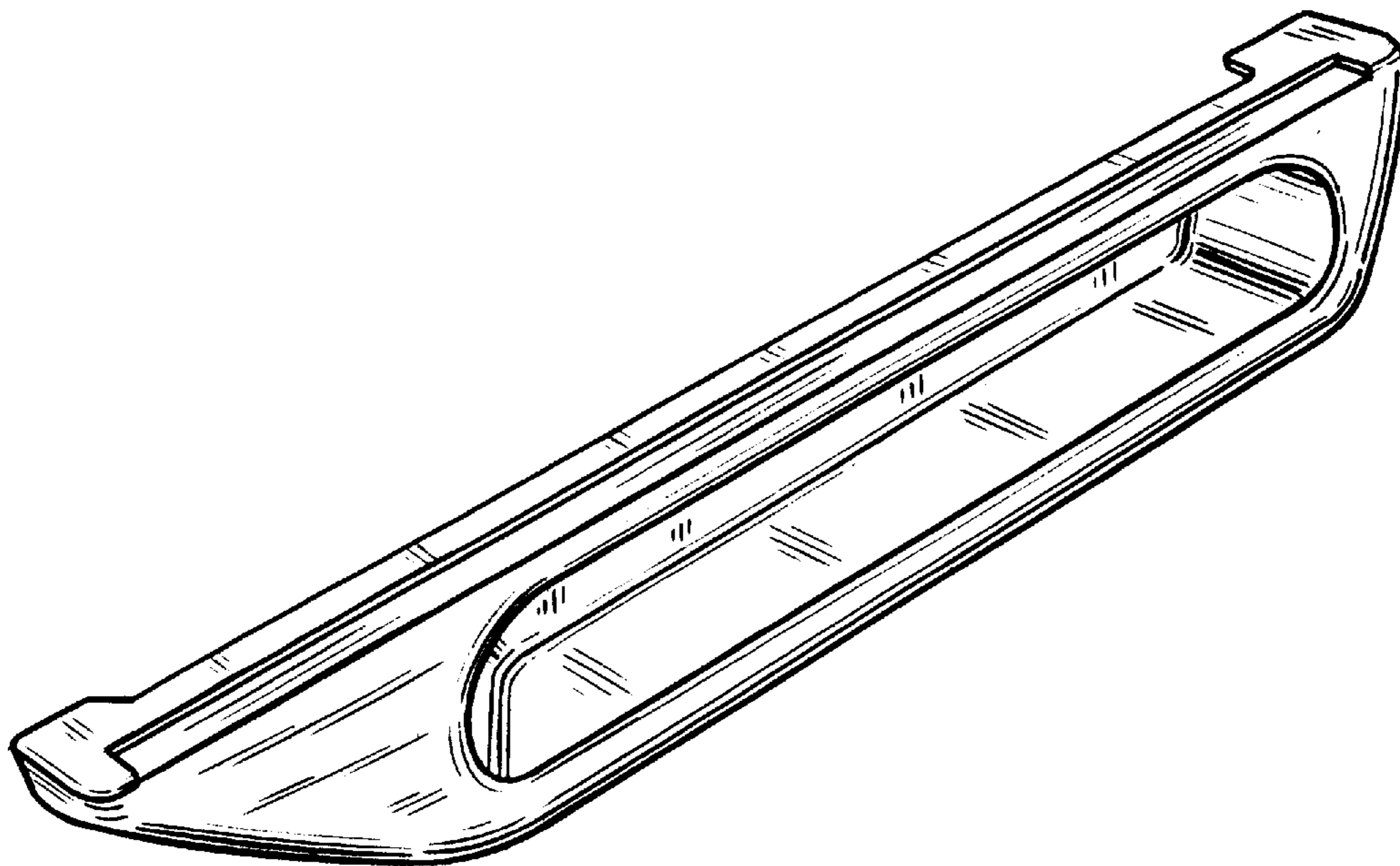
U.S. PATENT DOCUMENTS

D. 257,250	10/1980	Stoltenberg et al.	D12/203
D. 292,904	11/1987	Bielby	D12/203
D. 297,135	8/1988	Davenport	D12/203
D. 330,536	10/1992	Holloway	D12/203
D. 336,629	6/1993	Hinrichs et al.	D12/203
D. 340,905	11/1993	Orth, Sr. et al.	D12/203
D. 342,476	12/1993	Beckett	D12/203
D. 349,679	8/1994	Waddington et al.	D12/203
D. 351,128	10/1994	Waddington et al.	D12/203

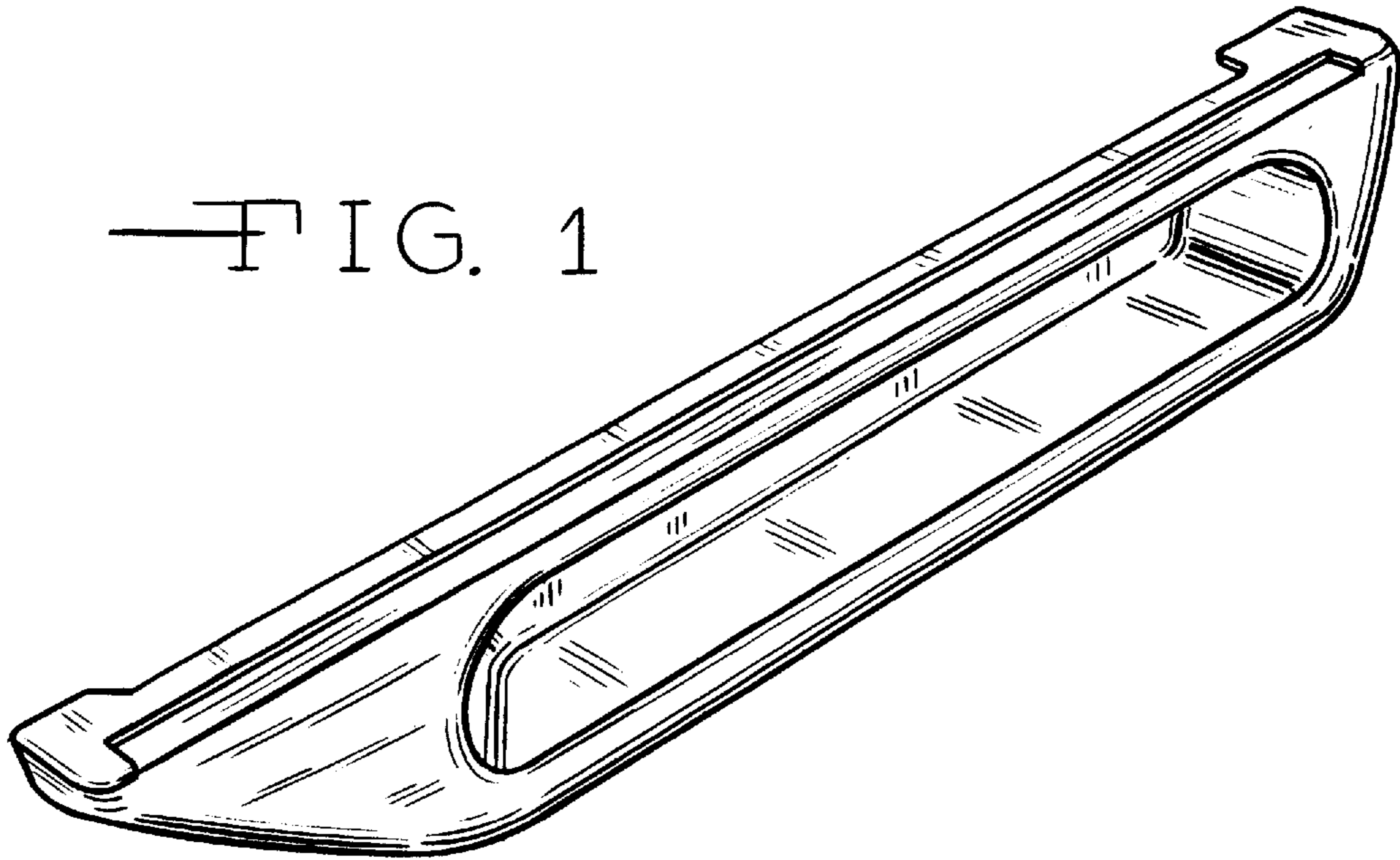
FIG. 1 is a perspective view from above and in front of a pickup truck running board according to the present design; FIG. 2 is a perspective view from above and behind a pickup truck running board according to the present design; and, FIG. 3 is an enlarged bottom, plan view of a pickup truck running board according to the present design.

Inasmuch as the rear aspects of a pickup truck running board according to the present design are not normally viewed, they are not illustrated and form no portion of the present design.

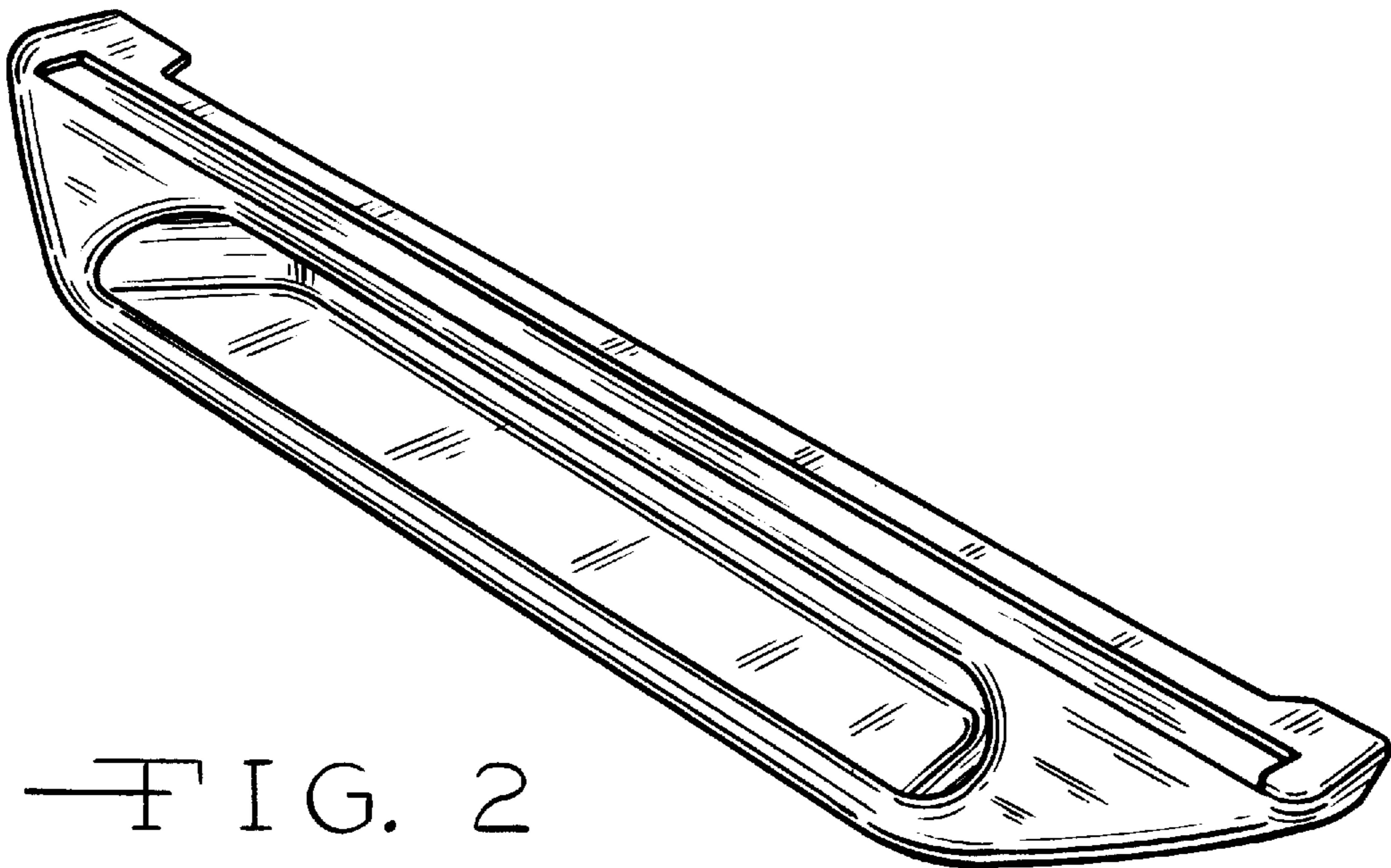
1 Claim, 2 Drawing Sheets



— FIG. 1



— FIG. 2



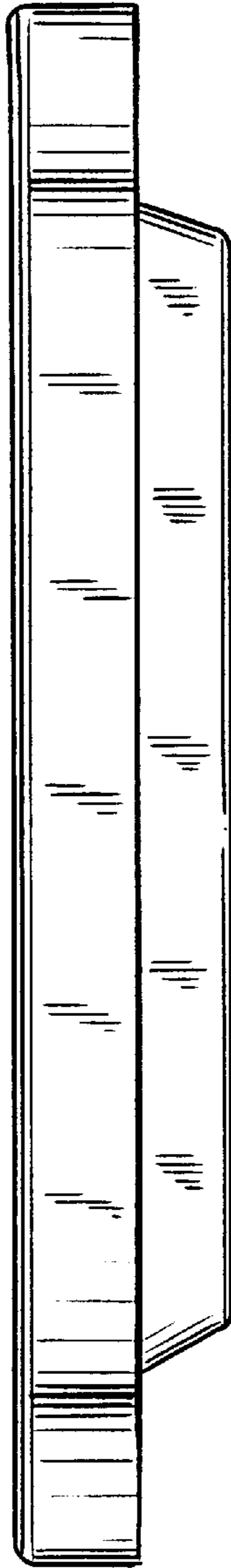


FIG. 3