



US00D400476S

United States Patent [19] Winchester

[11] **Patent Number: Des. 400,476**

[45] **Date of Patent: **Nov. 3, 1998**

[54] **BICYCLE TRAILER BODY**

D. 389,328 4/1996 Arosta D12/102
5,454,577 10/1995 Bell 280/204

[75] Inventor: **Stanley Winchester**, Tualatin, Oreg.

[73] Assignee: **SWO, Inc.**, Tualatin, Oreg.

[**] Term: **14 Years**

Primary Examiner—Melody N. Brown
Attorney, Agent, or Firm—Chernoff, Vilhauer, McClung & Stenzel, LLP

[21] Appl. No.: **80,134**

[22] Filed: **Sep. 19, 1997**

[57] **CLAIM**

The ornamental design for a bicycle trailer body, as shown and described.

[51] **LOC (6) Cl.** **12-10**

[52] **U.S. Cl.** **D12/102**

[58] **Field of Search** D12/102, 114,
D12/105; 280/204, 656, 789, 7.14

DESCRIPTION

FIG. 1 is a side elevational view of a bicycle trailer body showing my new design, the opposite side being a mirror image of that side shown;

FIG. 2 is a front elevational view thereof;

FIG. 3 is a top plan view thereof; and,

FIG. 4 is a bottom plan view thereof.

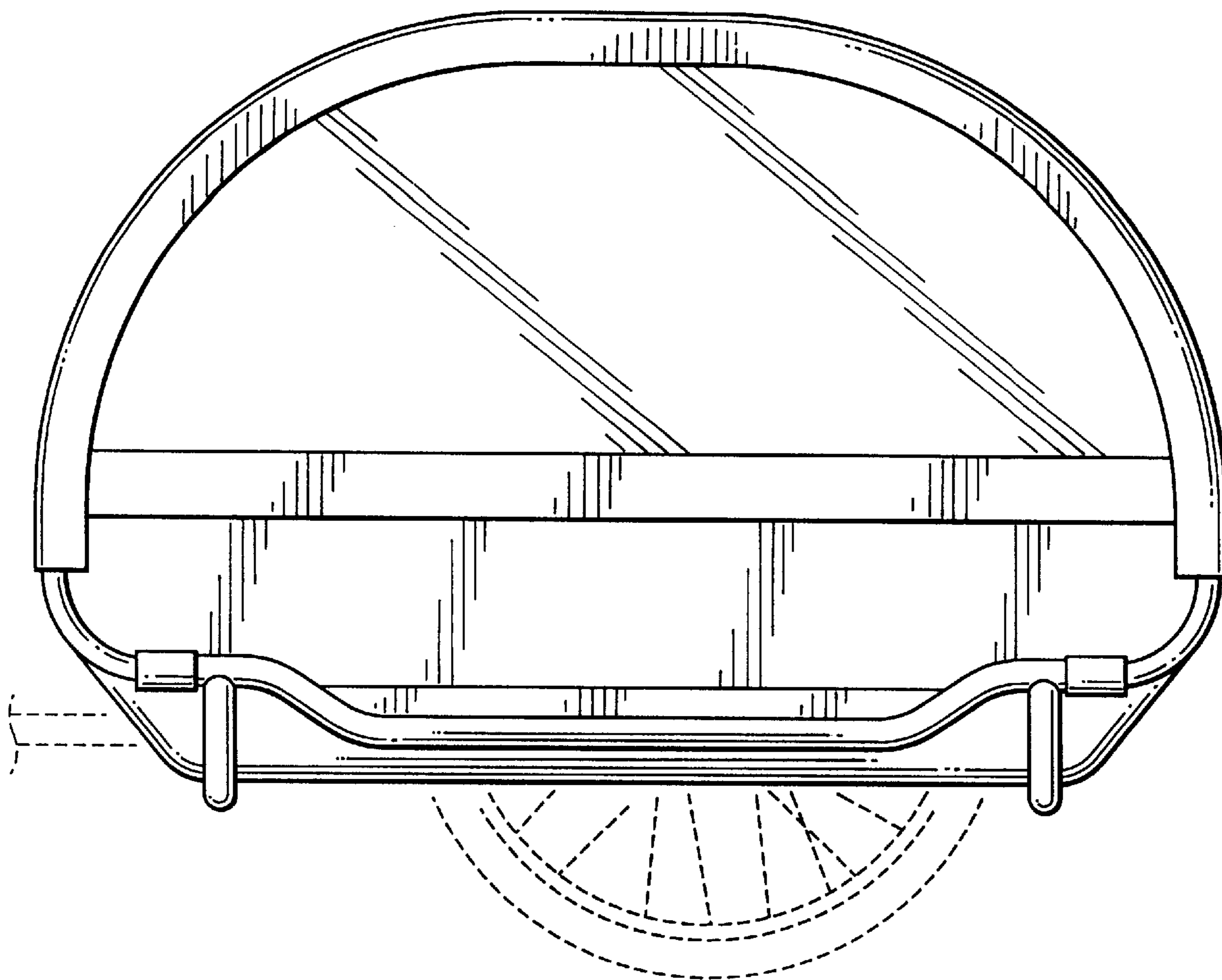
The broken lines shown in all drawing views are for illustrative purposes only and from no part of the claimed design.

[56] **References Cited**

U.S. PATENT DOCUMENTS

- D. 340,429 10/1993 Smith D12/102
- D. 351,575 10/1994 Fenton et al. D12/102
- D. 383,094 9/1997 Mast D12/102

1 Claim, 2 Drawing Sheets



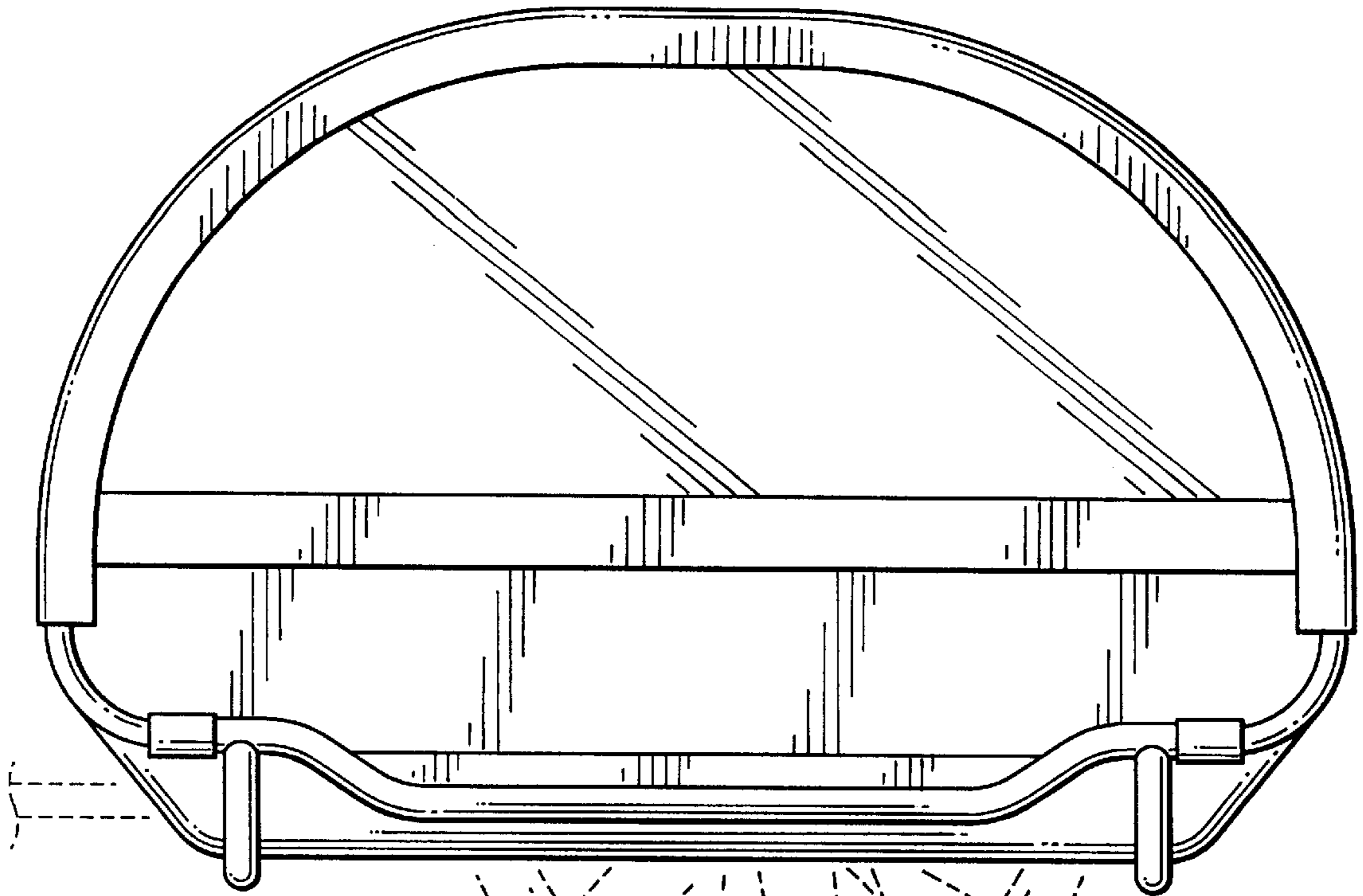


FIG.1

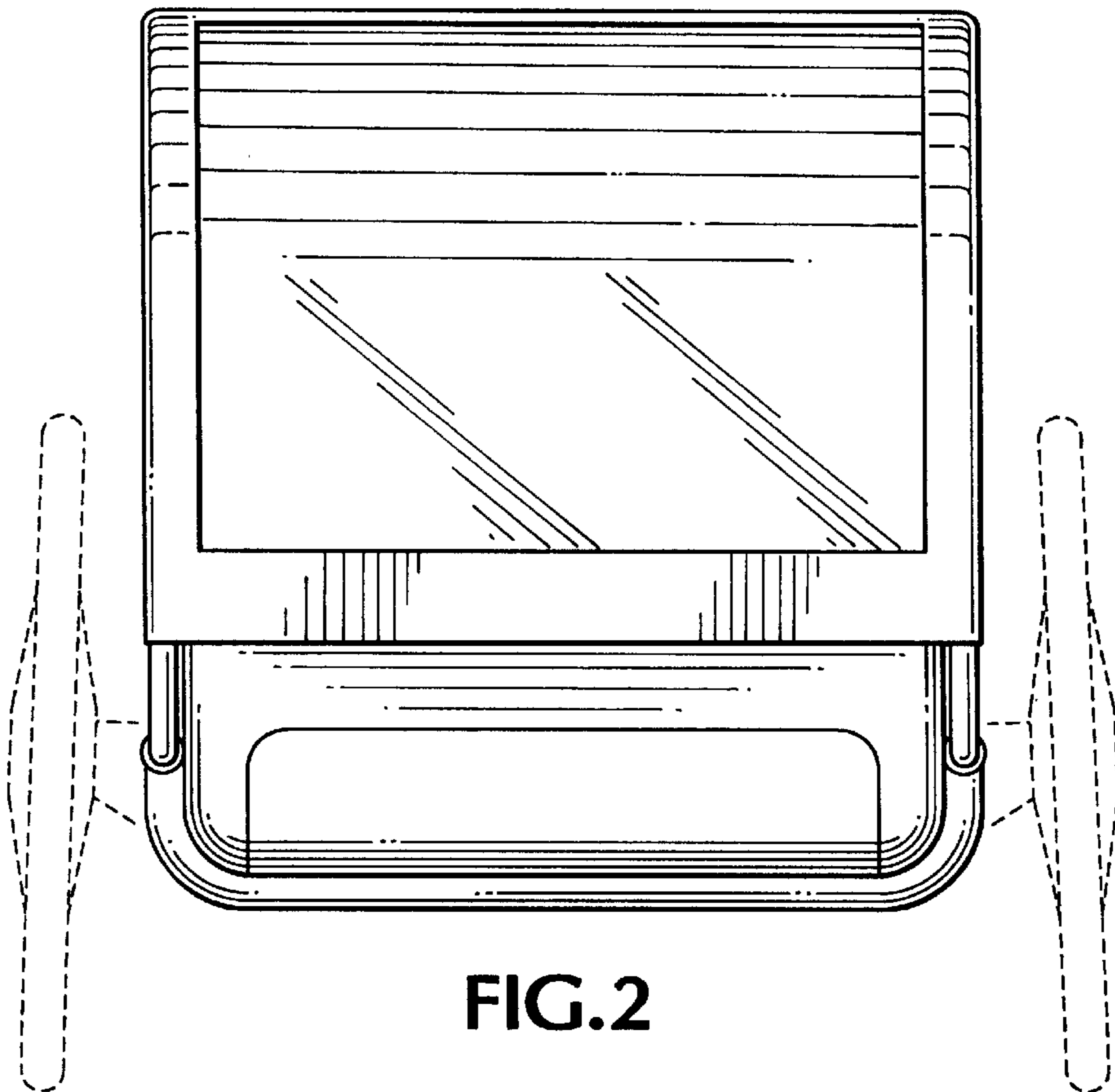


FIG.2

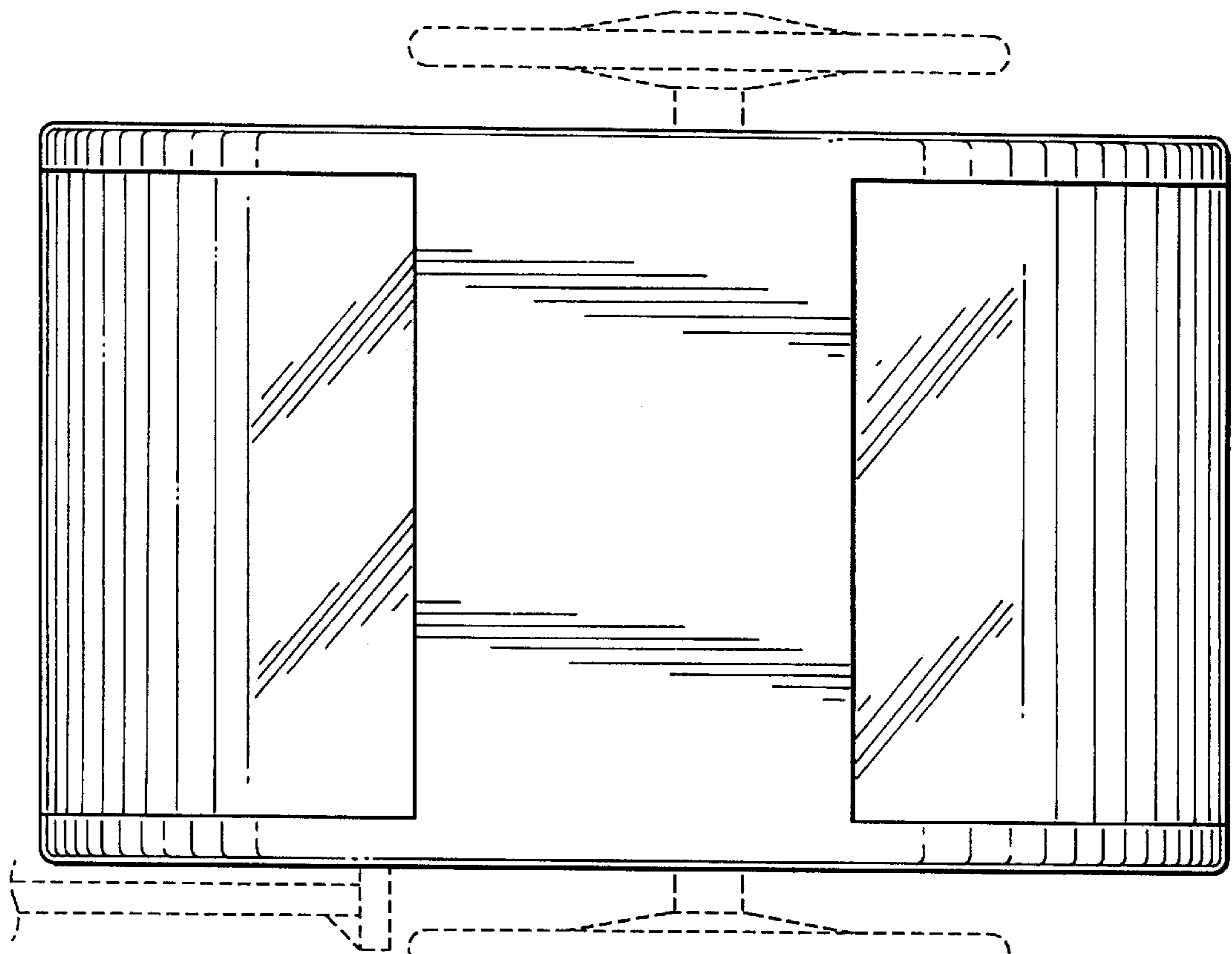


FIG.3

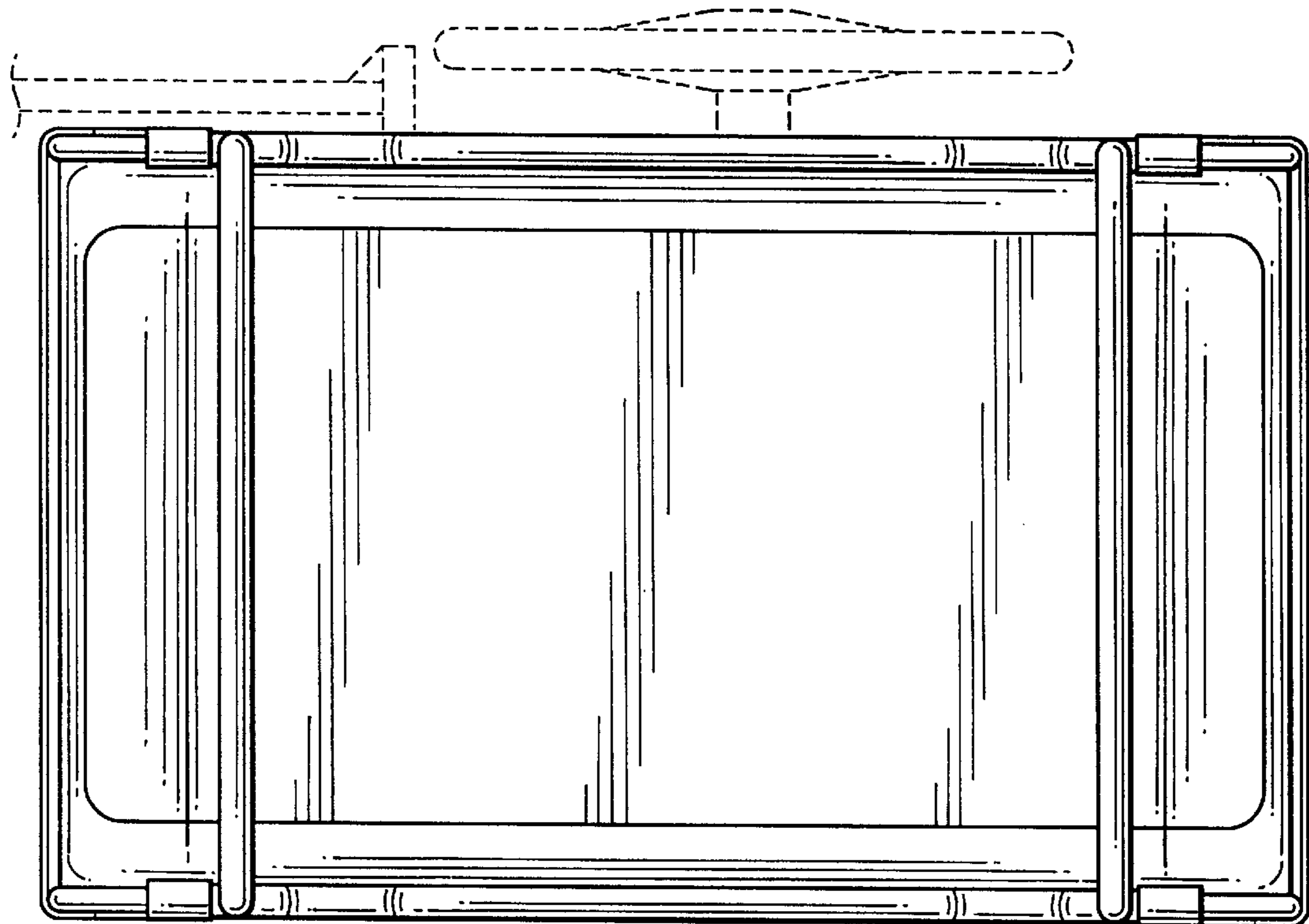


FIG.4