



US00D400475S

United States Patent [19] Parker

[11] **Patent Number: Des. 400,475**

[45] **Date of Patent: **Nov. 3, 1998**

[54] **SLED**

[76] **Inventor: Derek William Parker, c/o 1335
Ridgedale Street, Gloucester, Ontario,
Canada, K1T 1C4**

[**] **Term: 14 Years**

[21] **Appl. No.: 79,637**

[22] **Filed: Dec. 8, 1997**

[51] **LOC (6) Cl. 12-14**

[52] **U.S. Cl. D12/9**

[58] **Field of Search D12/6, 9, 11; 280/845,
280/11, 12, 14.1, 15, 18, 20**

[56] **References Cited**

U.S. PATENT DOCUMENTS

278,447 5/1883 Mitchell .

3,042,420 7/1962 Akmentin .
3,580,592 5/1971 Schroekengust 280/20
4,294,457 10/1981 Thiboutot 280/20
5,509,665 4/1996 Hansen 280/21.1

Primary Examiner—Nelson C. Holtje

[57] **CLAIM**

The ornamental design for a sled, as shown and decribed.

DESCRIPTION

FIG. 1 is a perspective view of the sled embodying the present design;

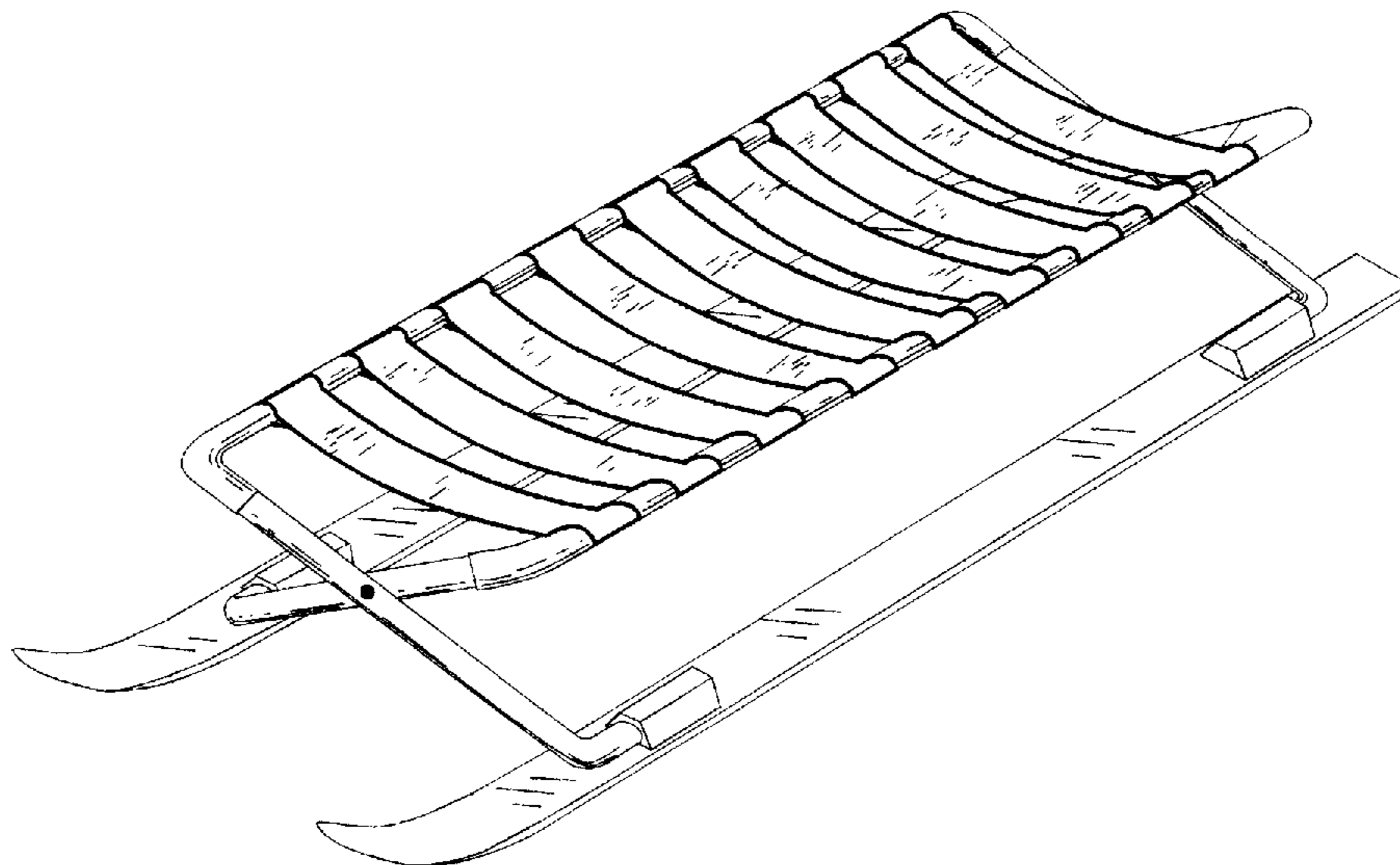
FIG. 2 is a left side elevational view of said design;

The right side not shown is a mirror image of the left side in FIG. 2;

FIG. 3 is a top plan view of said design; and,

FIG. 4 is a front view of said design.

1 Claim, 1 Drawing Sheet



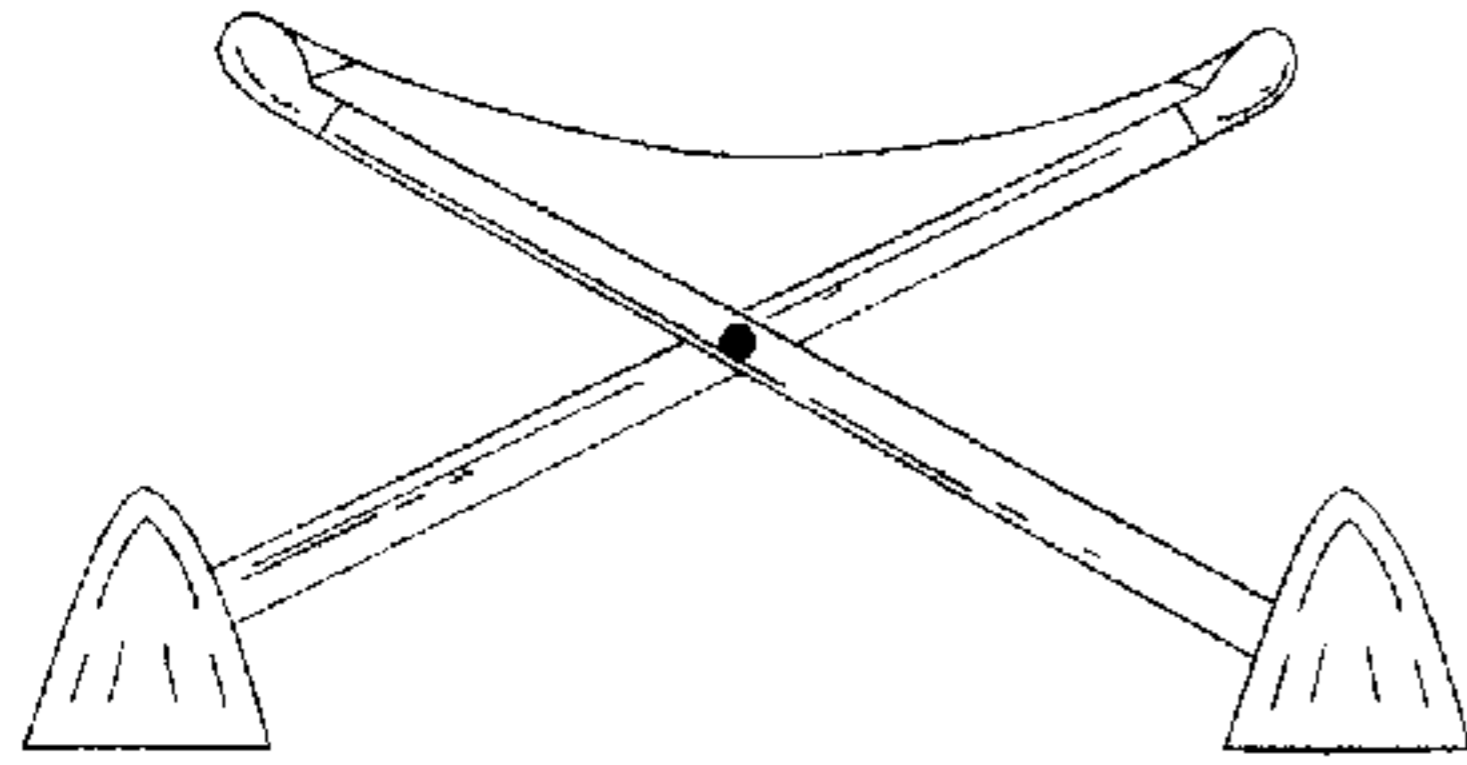


Fig. 4

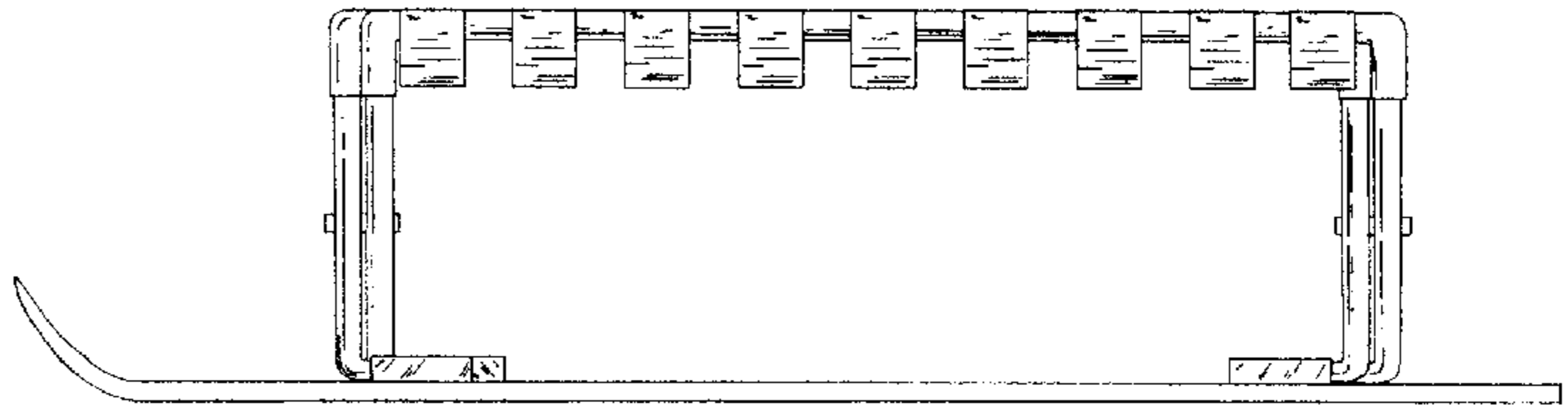


Fig. 2

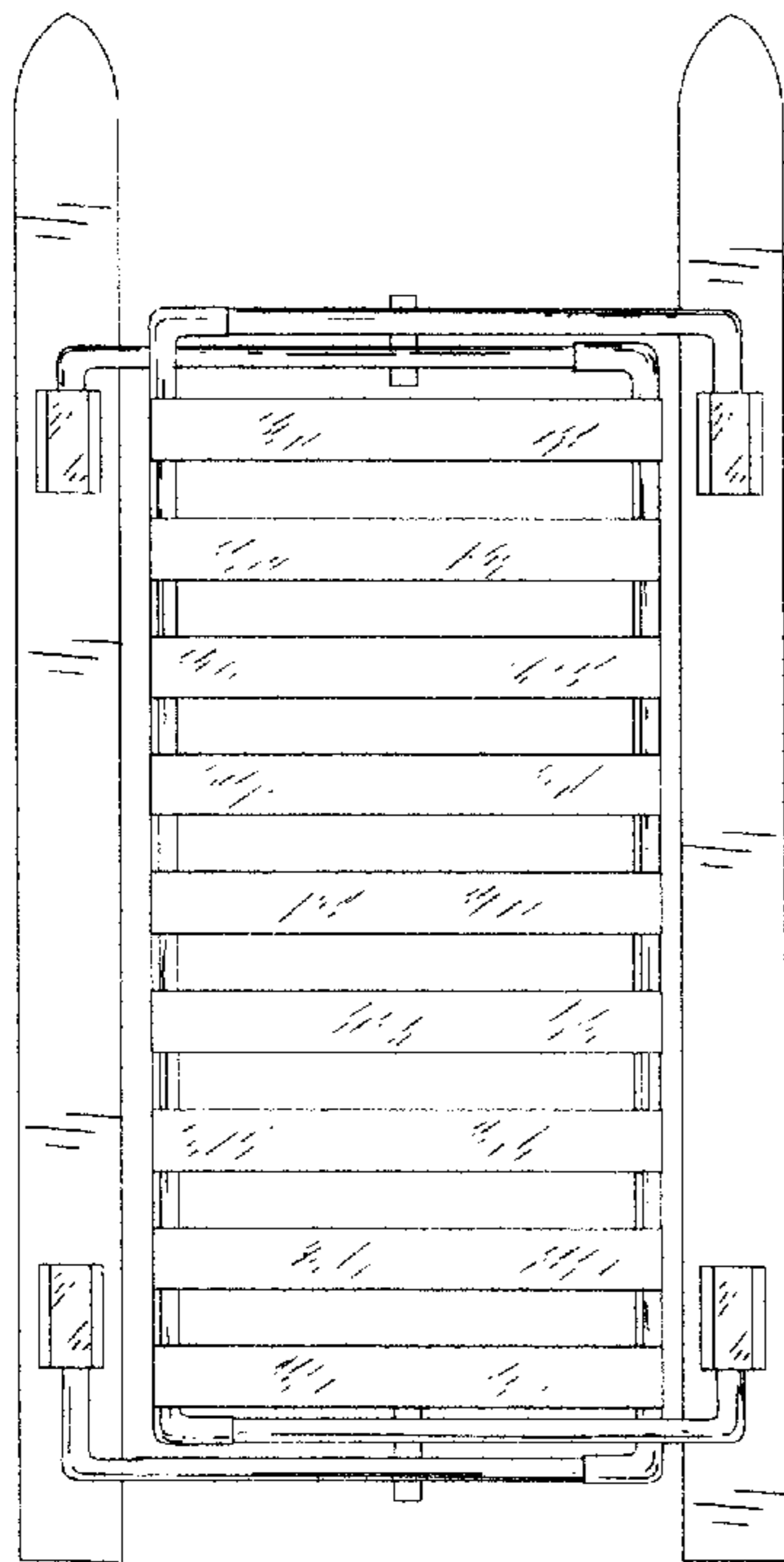


Fig. 3

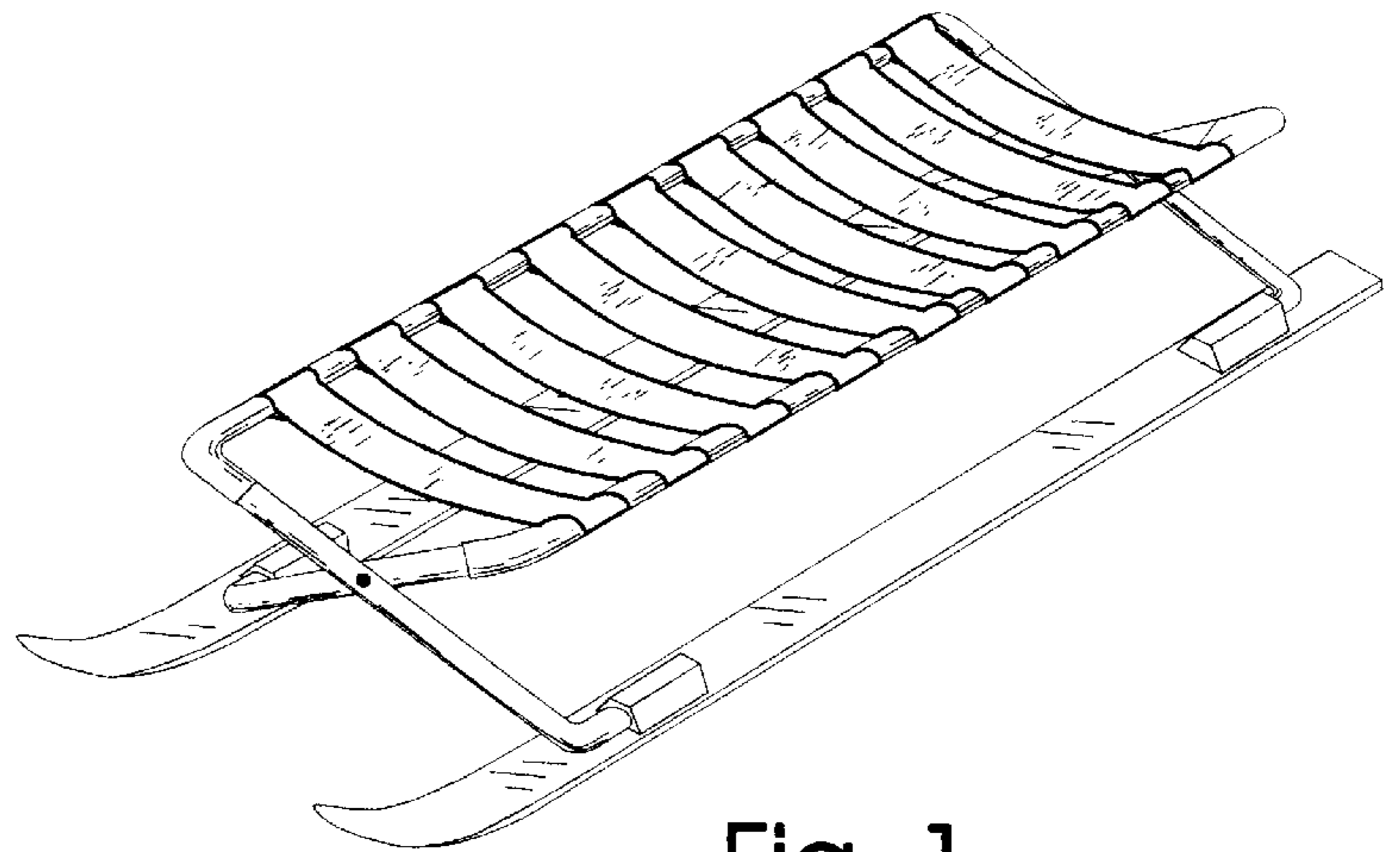


Fig. 1