



US00D400461S

United States Patent [19] Cardinal

[11] **Patent Number: Des. 400,461**

[45] **Date of Patent: **Nov. 3, 1998**

[54] **VERTICALLY ARRANGED SMOKE
DETECTOR**

D. 337,734 7/1993 Platt D10/106
D. 368,041 3/1996 Skog D10/106

[75] Inventor: **Lawrence J. Cardinal**, Bruceville, Ind.

Primary Examiner—Marcus A. Jackson
Attorney, Agent, or Firm—Woodard, Emhardt, Haughton
Moriarty & McNett

[73] Assignee: **Fire Safety, Inc.**, Bicknell, Ind.

[**] Term: **14 Years**

[57] **CLAIM**

[21] Appl. No.: **82,323**

The ornamental design for a vertically arranged smoke detector, as shown and described.

[22] Filed: **Jan. 20, 1998**

DESCRIPTION

[51] **LOC (6) Cl.** **10-05**

[52] **U.S. Cl.** **D10/106**

[58] **Field of Search** D10/104, 106,
D10/116, 121; 340/540, 541, 545, 571,
572, 573, 627, 628, 629, 630

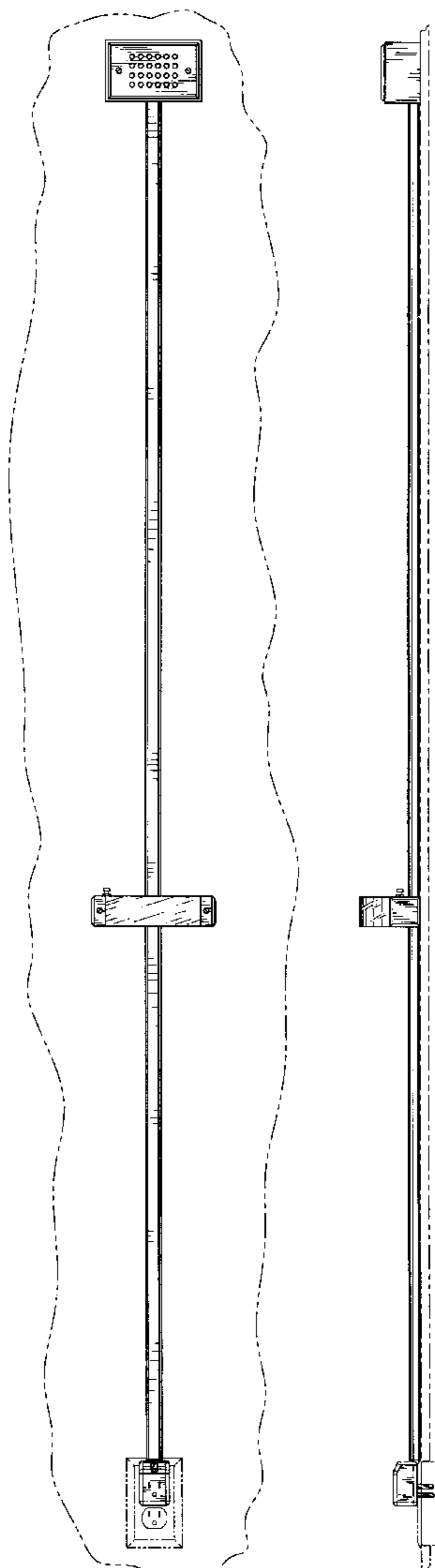
FIG. 1 is a front view of the smoke detector incorporating my new design, with the broken line showing for illustrative purposes only and forming no part of the claimed design; FIG. 2 is a right side view with the left side view being a mirror image thereof; FIG. 3 is an enlarged top view; FIG. 4 is an enlarged bottom view; and, FIG. 5 is a rear view.

[56] **References Cited**

U.S. PATENT DOCUMENTS

D. 320,571 10/1991 Ray D10/106
D. 333,796 3/1993 Bannon D10/106

1 Claim, 3 Drawing Sheets



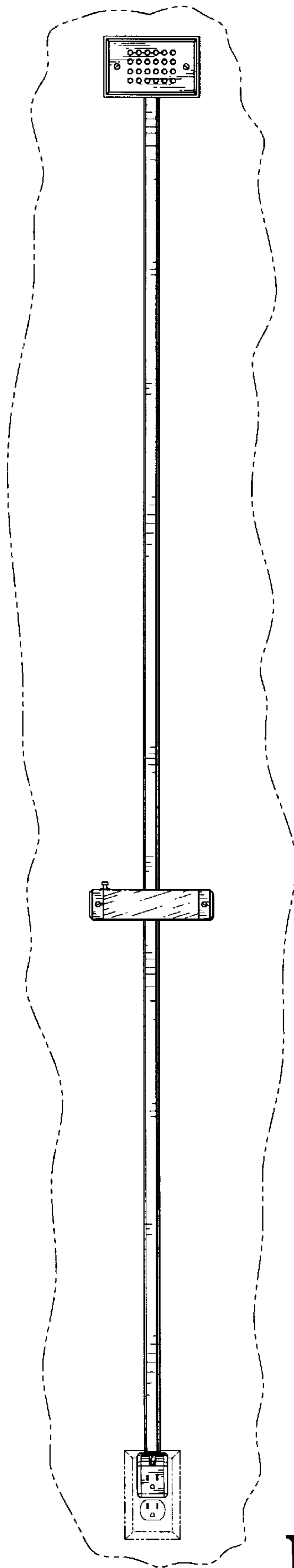


Fig. 1



Fig. 2

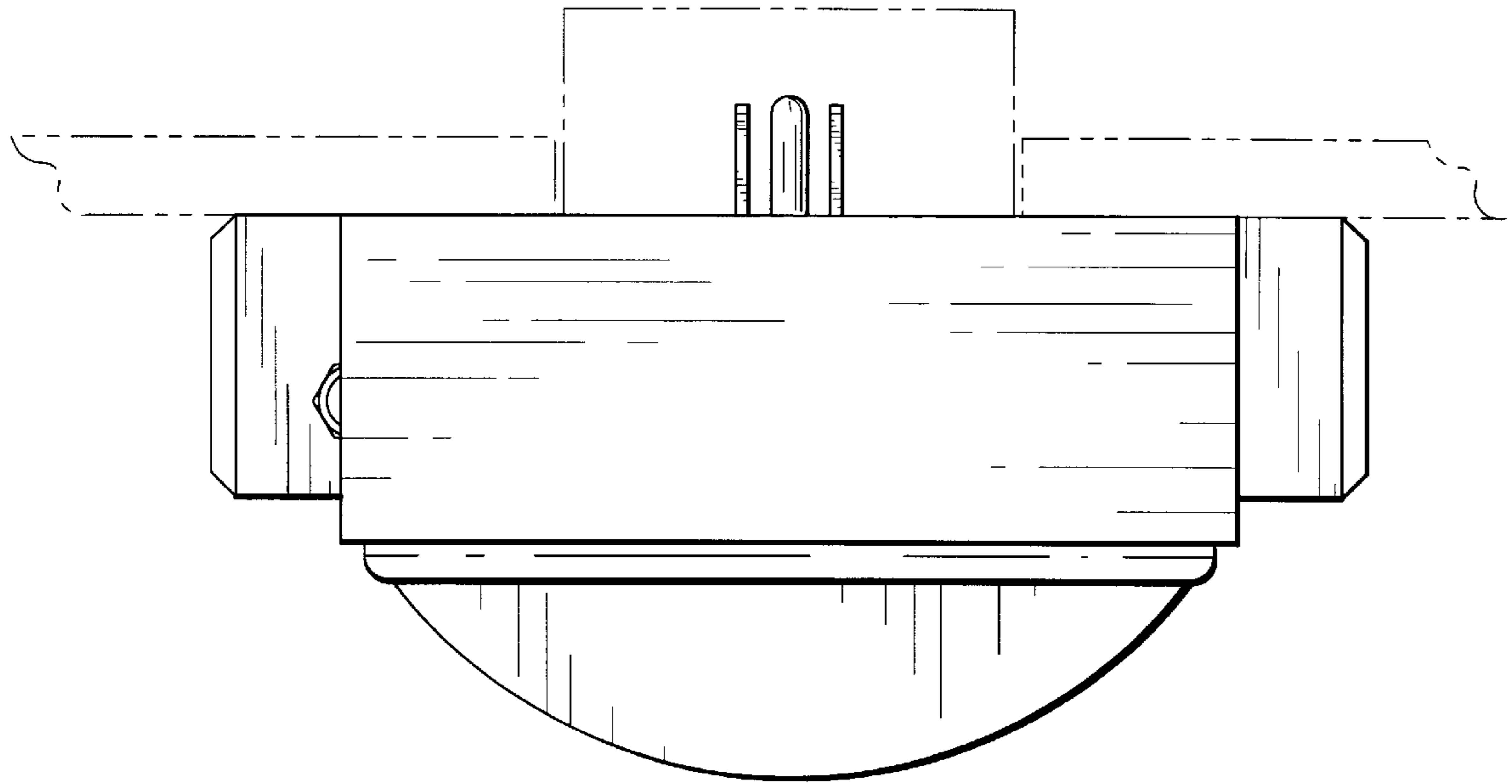


Fig. 3

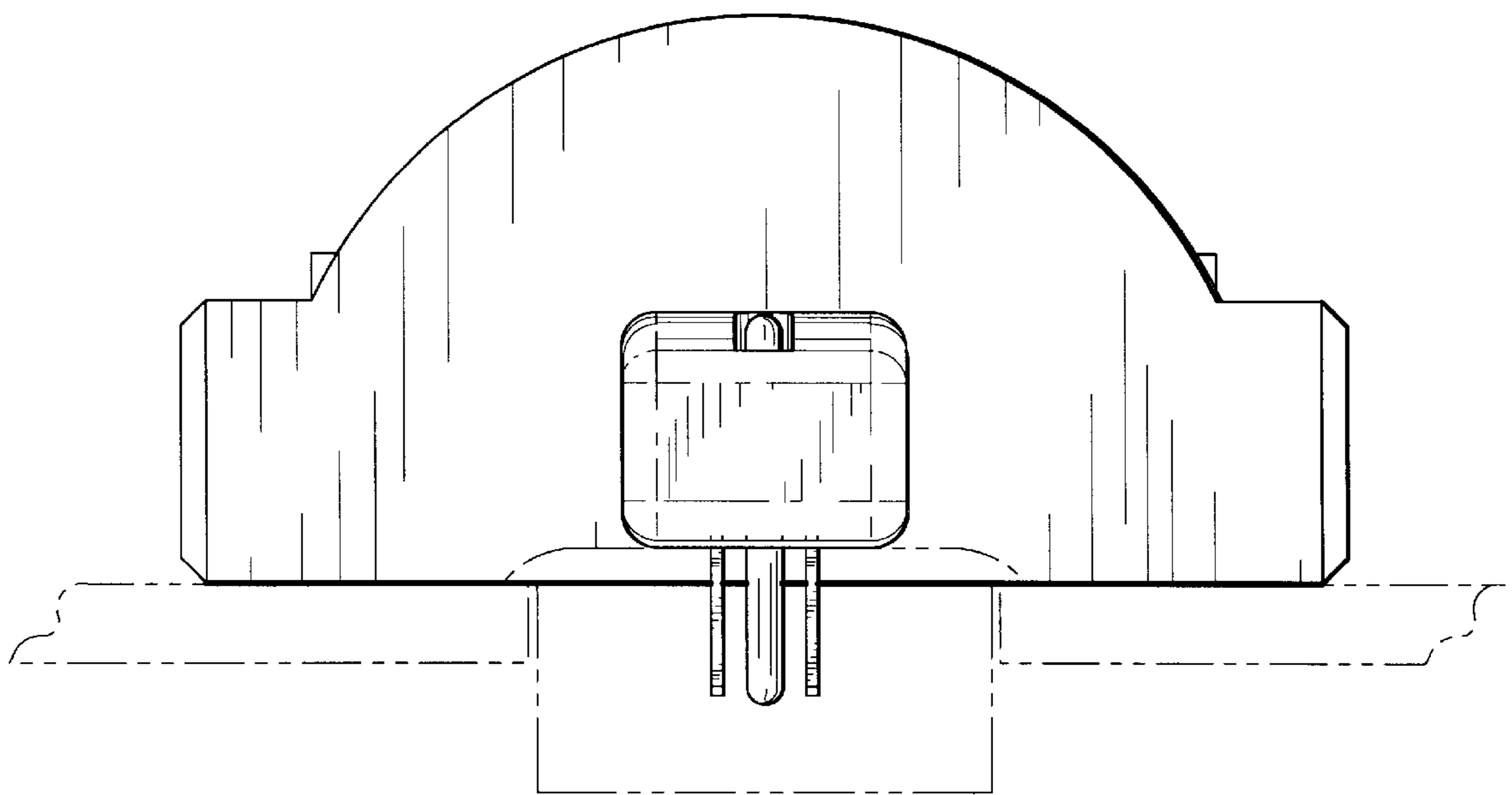


Fig. 4

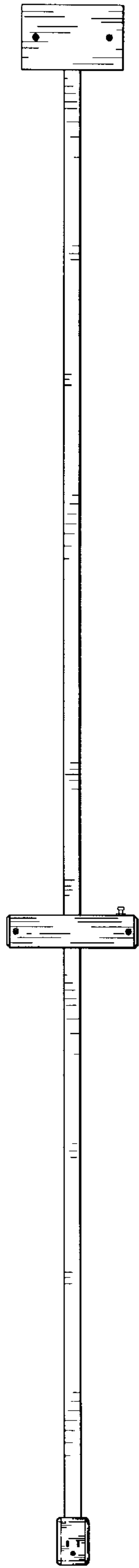


Fig. 5