



US00D400460S

United States Patent [19]
Ch

[11] **Patent Number: Des. 400,460**

[45] **Date of Patent: **Nov. 3, 1998**

[54] **EMERGENCY ALARM**

[76] Inventor: **Mick Ch**, No. 18, Lane 201, Chungho Street, Chupei, Hsinchu Hsien, Taiwan

[**] Term: **14 Years**

[21] Appl. No.: **82,286**

[22] Filed: **Jan. 20, 1998**

[51] **LOC (6) Cl. 10-05**

[52] **U.S. Cl. D10/106**

[58] **Field of Search** D10/104, 106,
D10/116, 120, 121; 340/384.1, 384.3, 384.7,
388.1, 390.1, 391.1, 391.2, 392.1, 392.2,
392.4

[56] **References Cited**

U.S. PATENT DOCUMENTS

D. 297,918 10/1988 Hamada D10/120
D. 309,440 7/1990 Arduini et al. D10/120

D. 313,195 12/1990 Memmola D10/120
D. 382,221 8/1997 Chen D10/120
D. 391,512 3/1998 Ch D10/106

Primary Examiner—Marcus A. Jackson
Attorney, Agent, or Firm—Rosenberg, Klein & Bilker

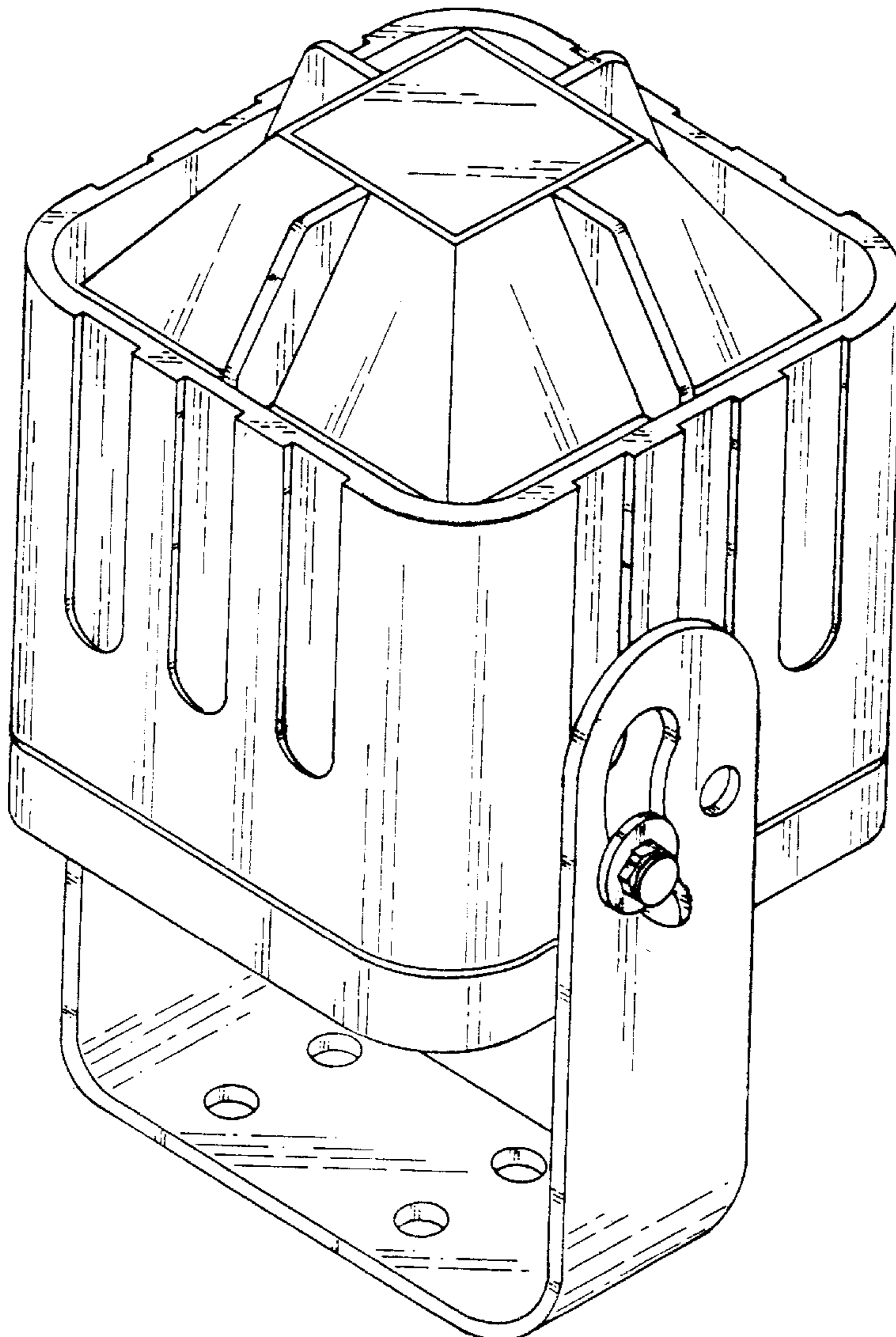
[57] **CLAIM**

The ornamental design for an emergency alarm, as shown and described.

DESCRIPTION

FIG. 1 is a perspective view of an emergency alarm showing my new design;
FIG. 2 is a front elevational view thereof;
FIG. 3 is a rear elevational view thereof;
FIG. 4 is a left side elevational view thereof;
FIG. 5 is a right side elevational view thereof;
FIG. 6 is a top plan view thereof; and,
FIG. 7 is a bottom plan view thereof.

1 Claim, 7 Drawing Sheets



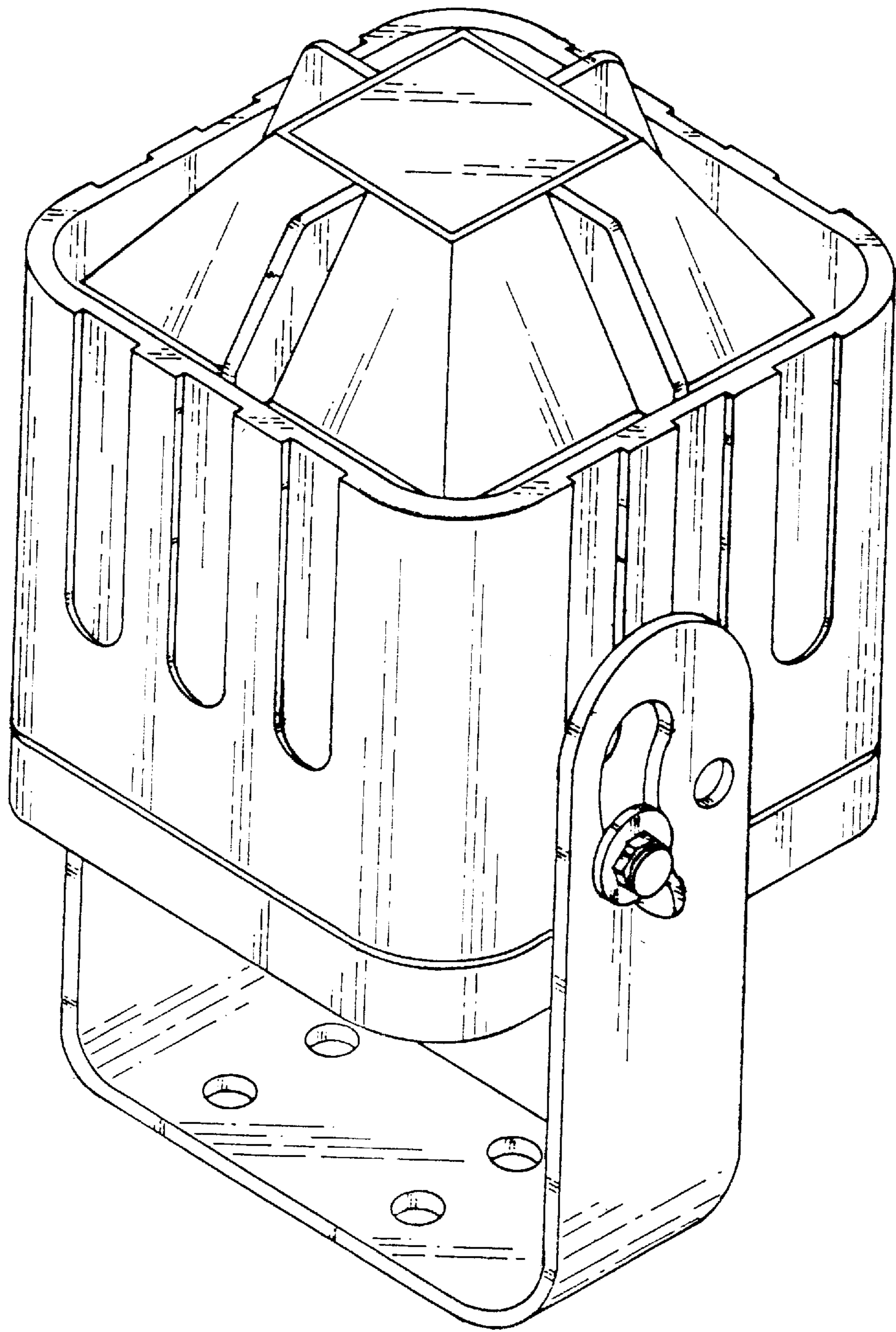


FIG. 1

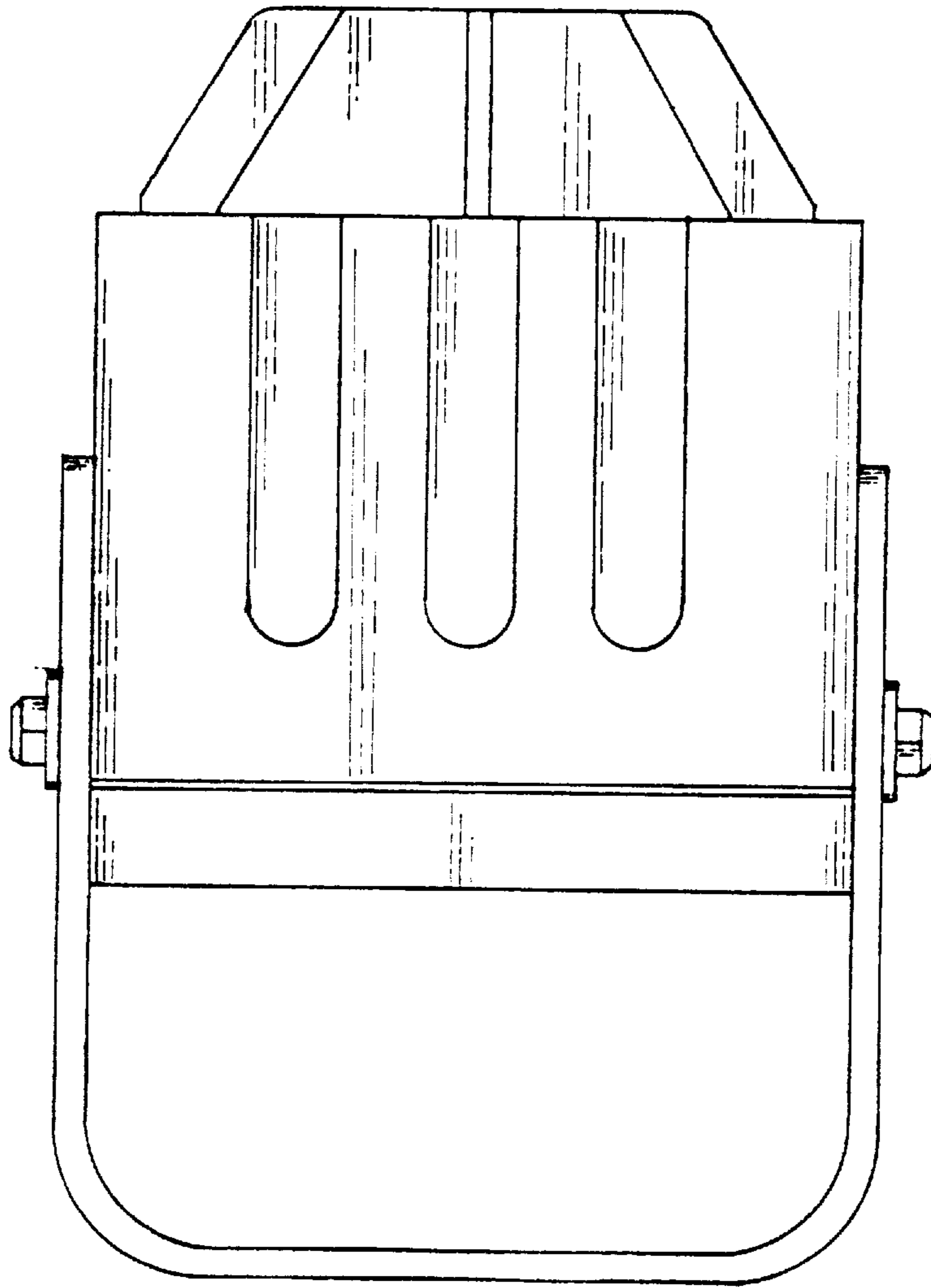


FIG. 2

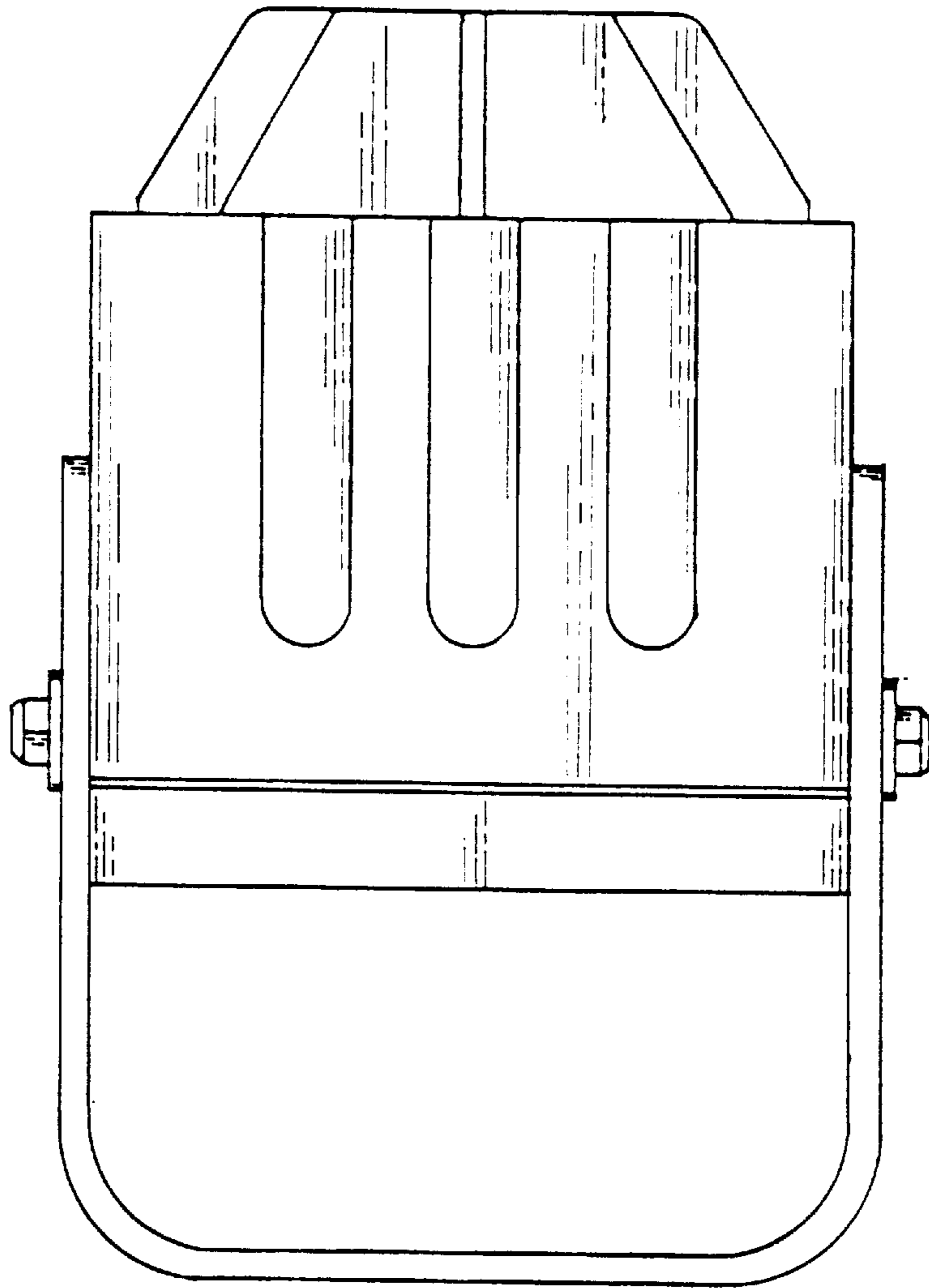


FIG. 3

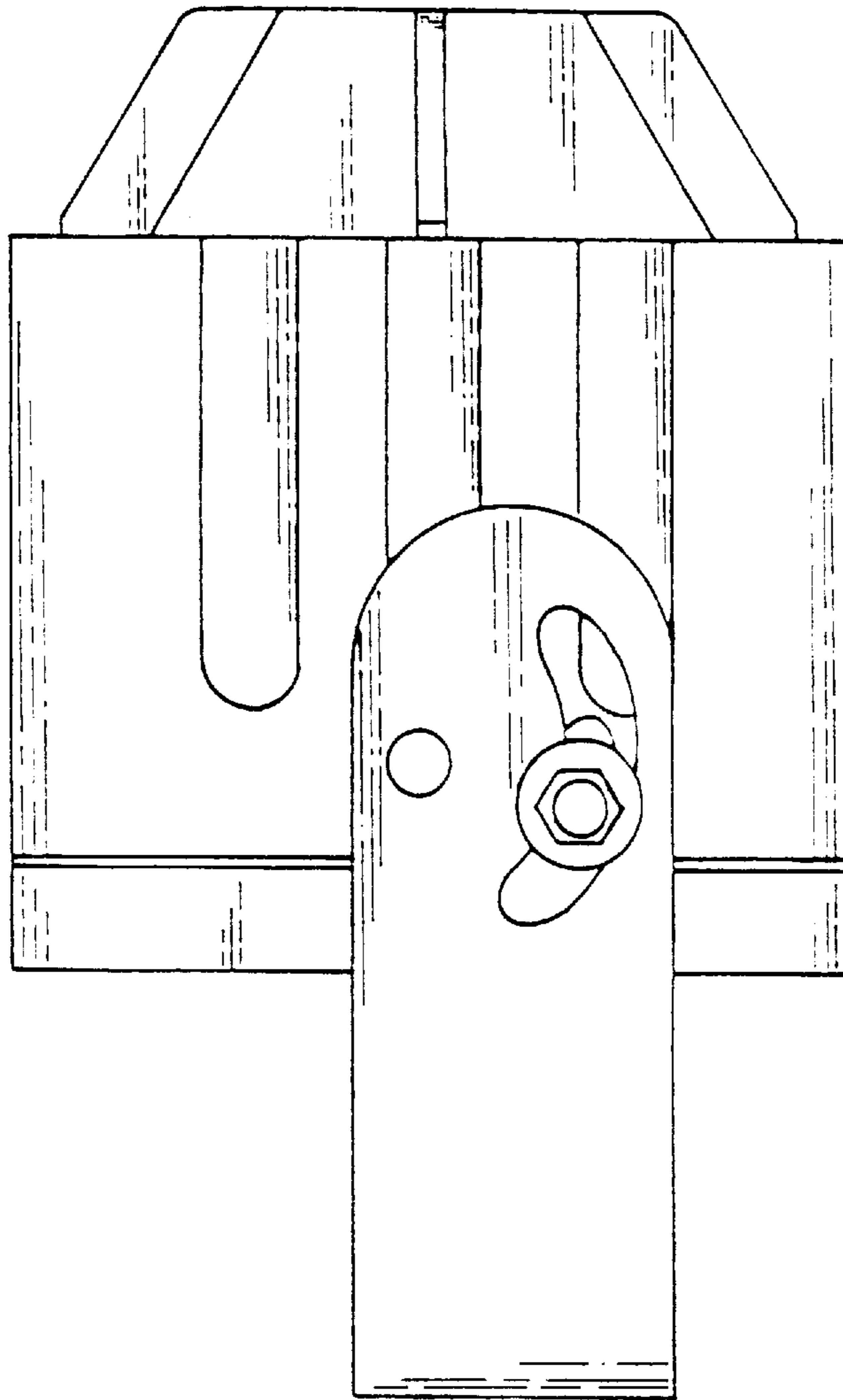


FIG. 4

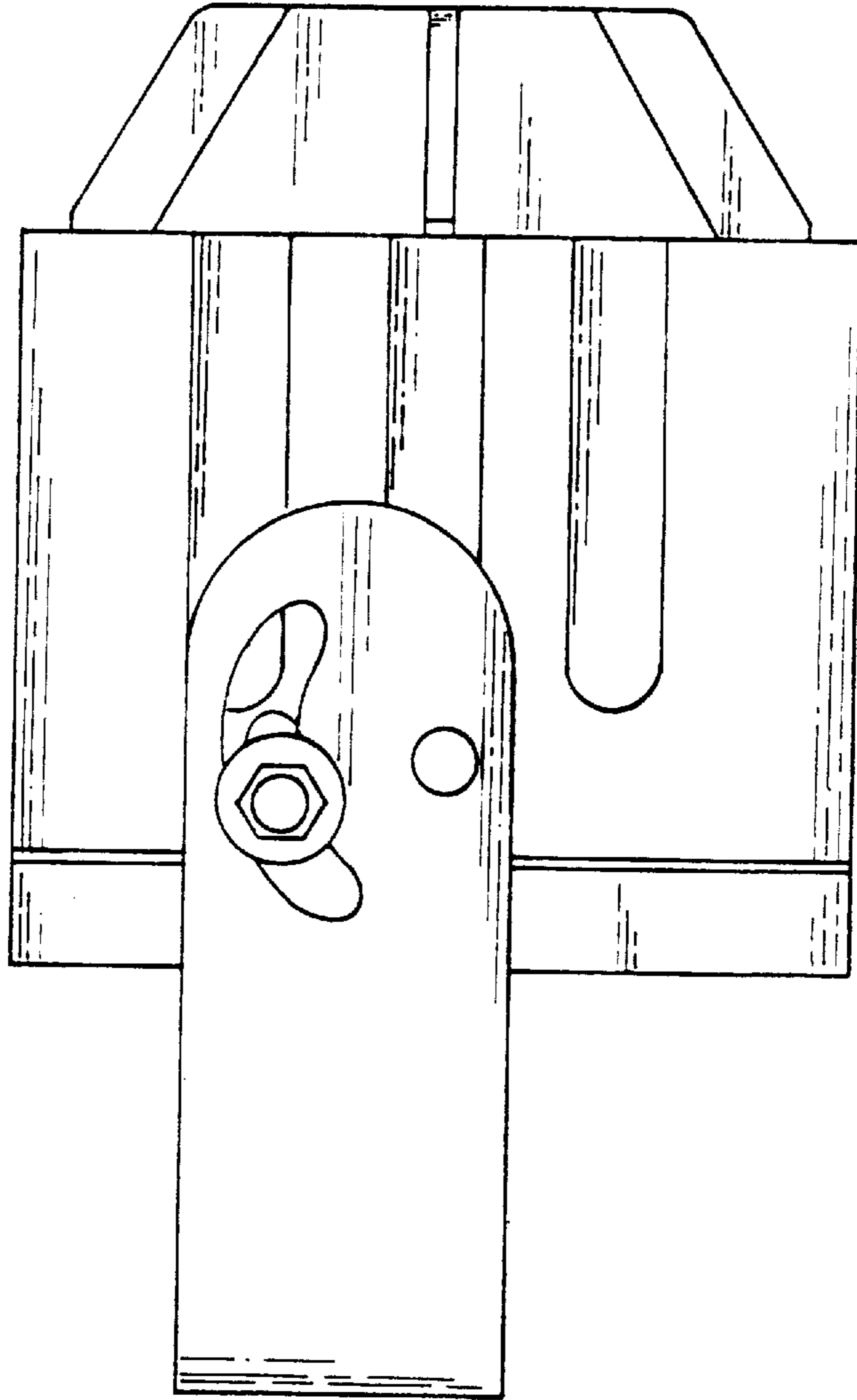


FIG. 5

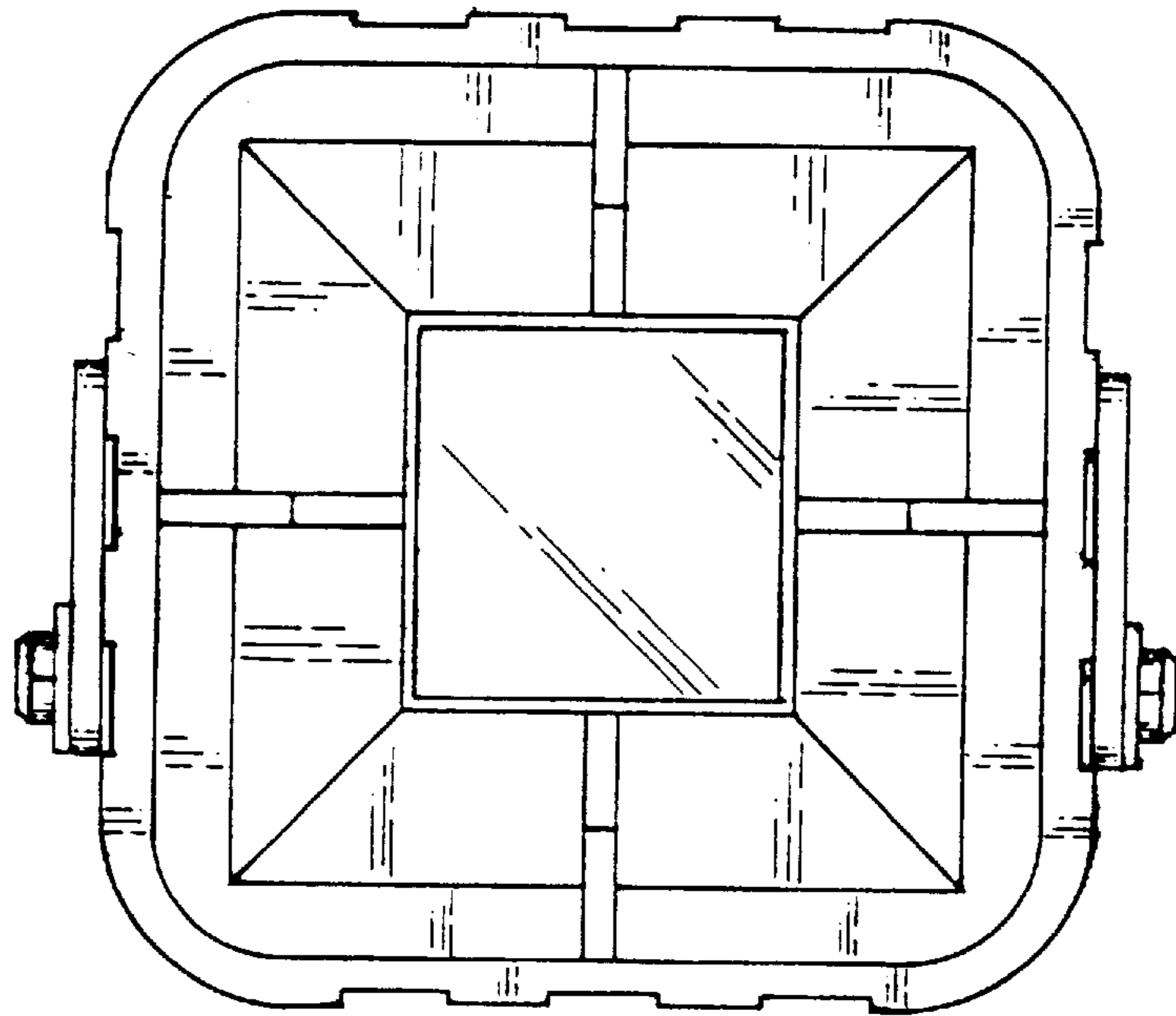


FIG. 6

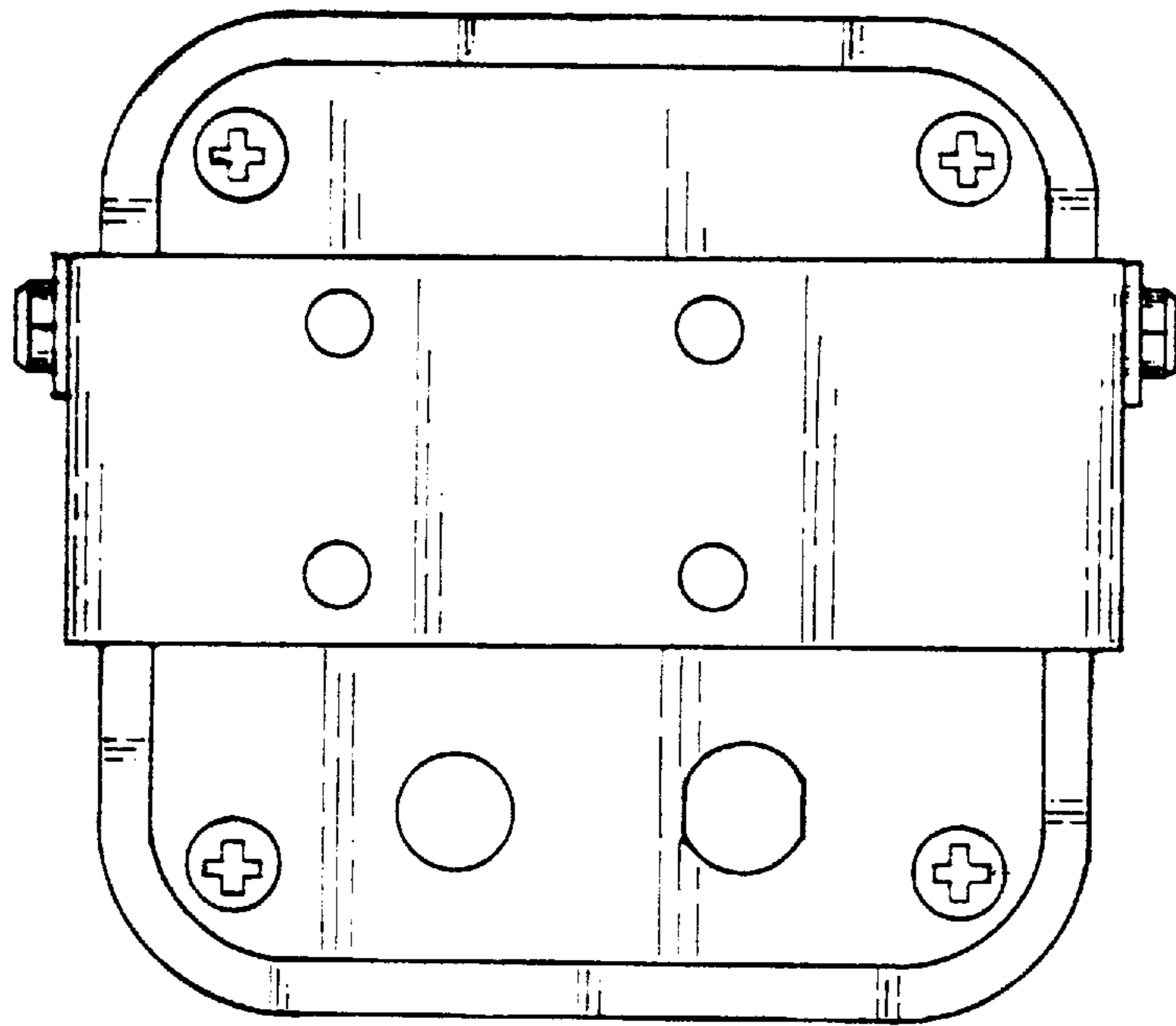


FIG. 7