

US00D400458S

United States Patent [19]

Titus et al.

[11] **Patent Number: Des. 400,458**

[45] **Date of Patent: **Nov. 3, 1998**

[54] **COMBINED SIGNAL RECEIVER AND BUCKLE AND CLAMP UNIT FOR A ANIMAL CORRECTION COLLAR**

[75] Inventors: **John S. Titus**, Prior Lake; **James F. Jenné**, Inver Grove Heights, both of Minn.

[73] Assignee: **Joint Techno Concepts International, Inc.**, Westboro, Mass.

[**] Term: **14 Years**

[21] Appl. No.: **76,107**

[22] Filed: **Sep. 4, 1997**

[51] **LOC (6) Cl. 10-05**

[52] **U.S. Cl. D10/104; D30/152**

[58] **Field of Search** D10/104, 106, D10/121; 340/541, 548, 551, 552, 553, 555, 556, 561, 571, 572, 573; D30/151, 152

[56] **References Cited**

U.S. PATENT DOCUMENTS

D. 300,685 4/1989 Juliana et al. D10/106

D. 330,173	10/1992	Juliana et al.	D10/106
D. 336,055	6/1993	Juliana et al.	D30/152
D. 376,553	12/1996	Heun	D30/152
3,753,421	8/1973	Peck	119/29
4,150,464	4/1979	Tracy	24/77
4,171,555	10/1979	Bakker et al.	24/200
4,669,424	6/1987	Bianco et al.	119/156
5,161,485	11/1992	McDade	119/106

Primary Examiner—Marcus A. Jackson
Attorney, Agent, or Firm—Merchant, Gould, Smith, Edell, Welter & Schmidt, P.A.

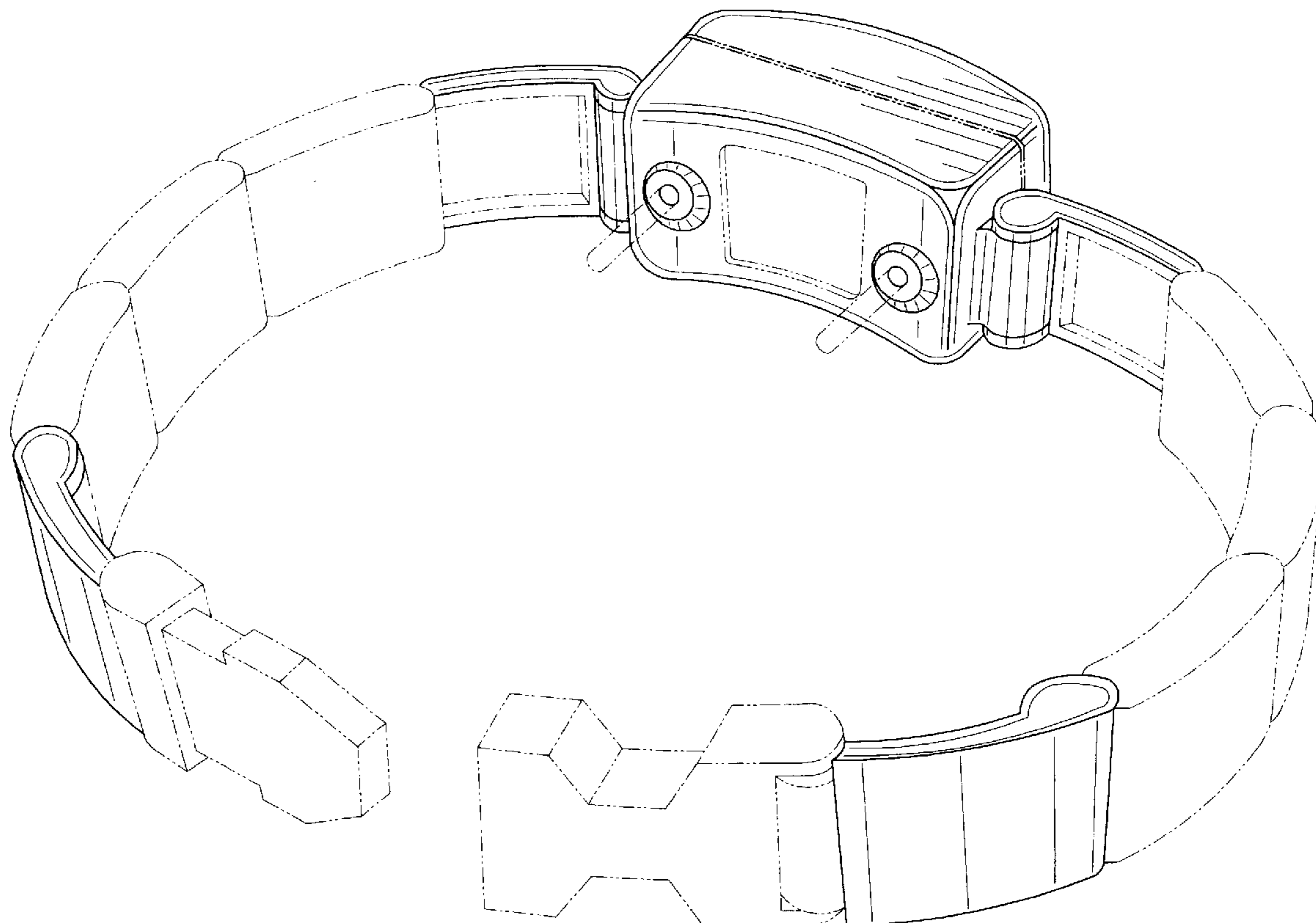
[57] **CLAIM**

The ornamental design a combined signal receiver and buckle and clamp unit for a animal correction collar, as shown and described.

DESCRIPTION

FIG. 1 is a front top and right side perspective view with the broken line showing for illustrative purposes only and forming no part of the claimed design;
FIG. 2 is a top plan view;
FIG. 3 is a bottom plan view;
FIG. 4 is a right side view;
FIG. 5 is a left side view;
FIG. 6 is a rear elevational view; and,
FIG. 7 is a front elevational view.

1 Claim, 5 Drawing Sheets



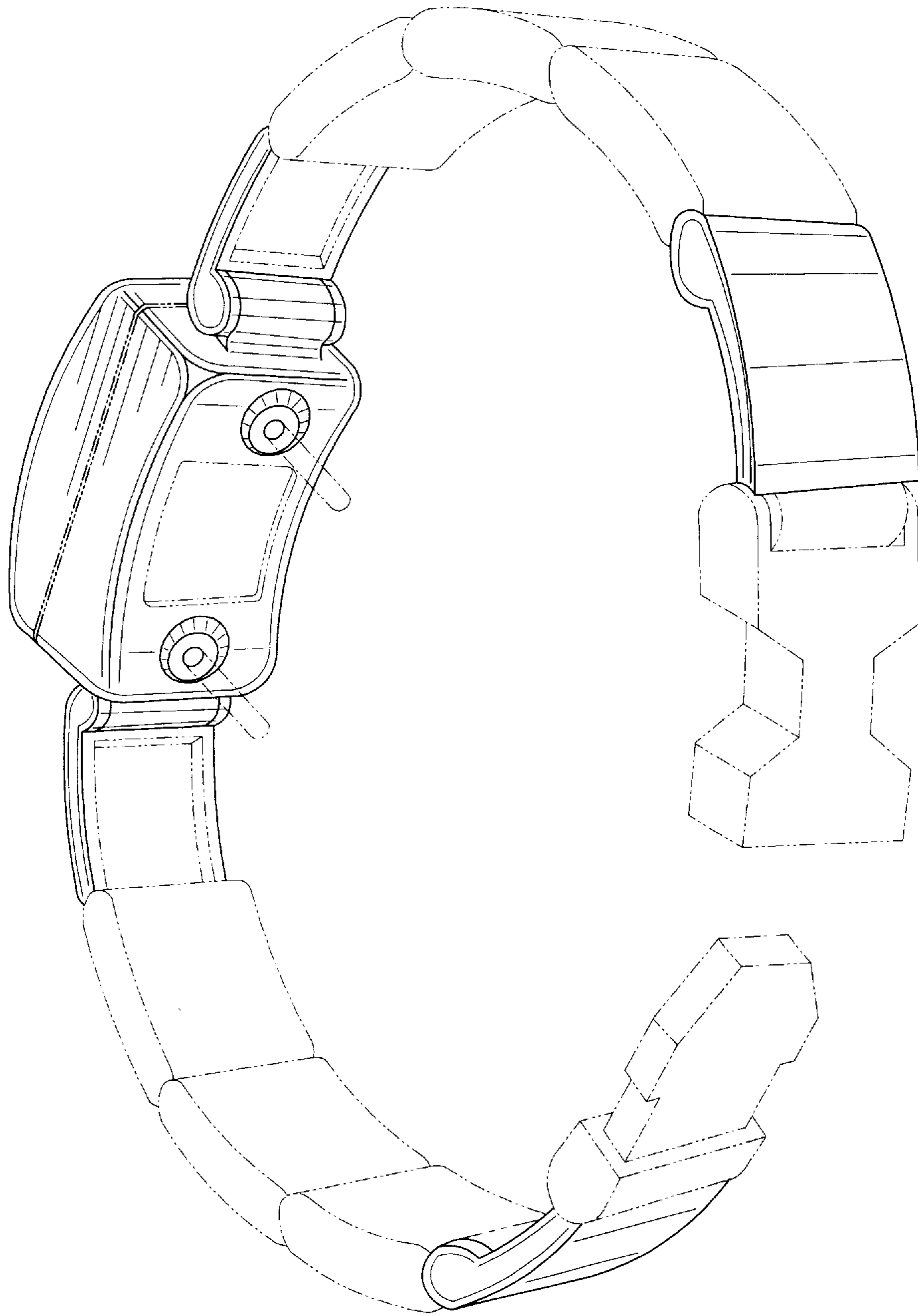


FIG. 1

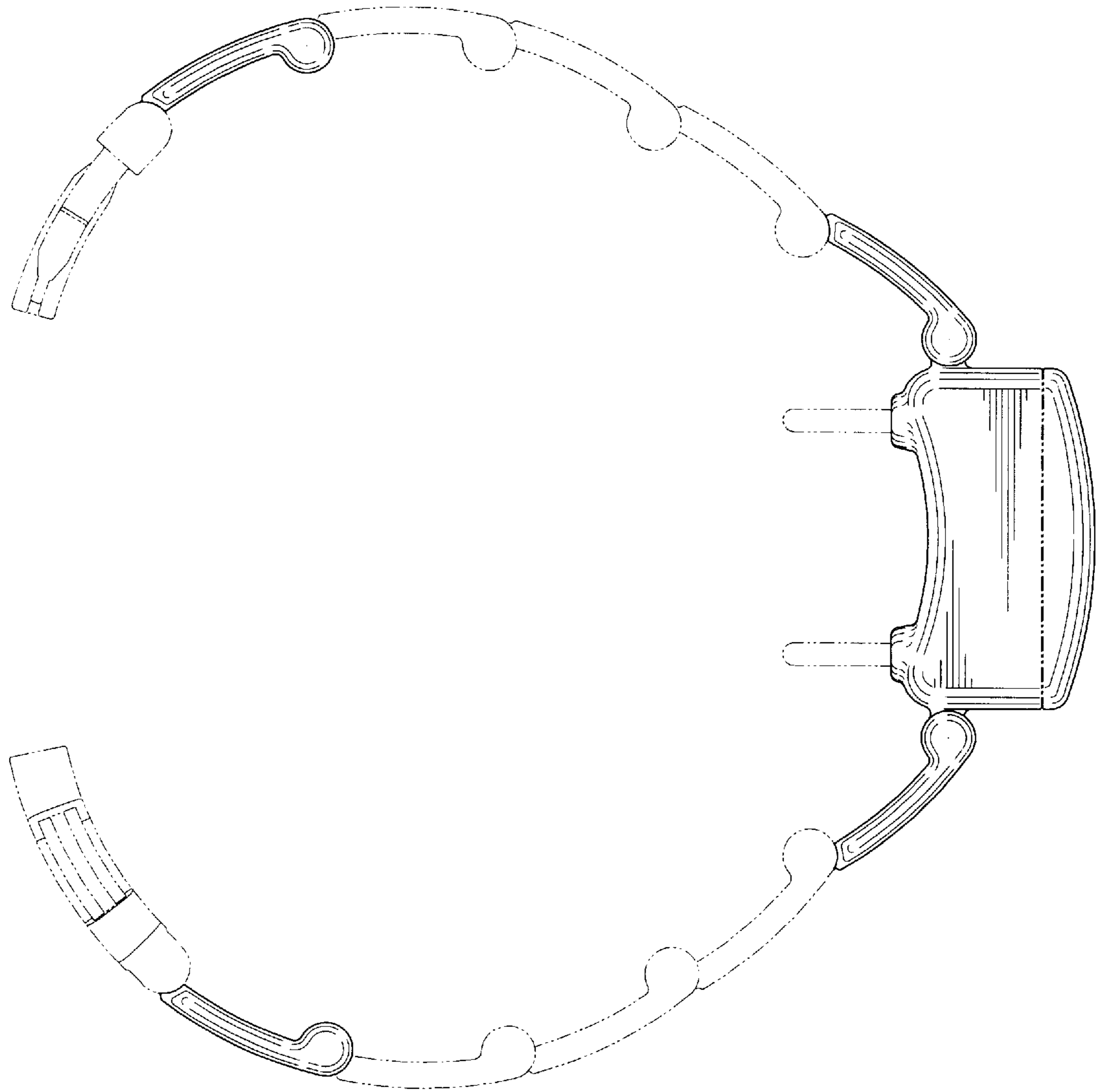


FIG. 2

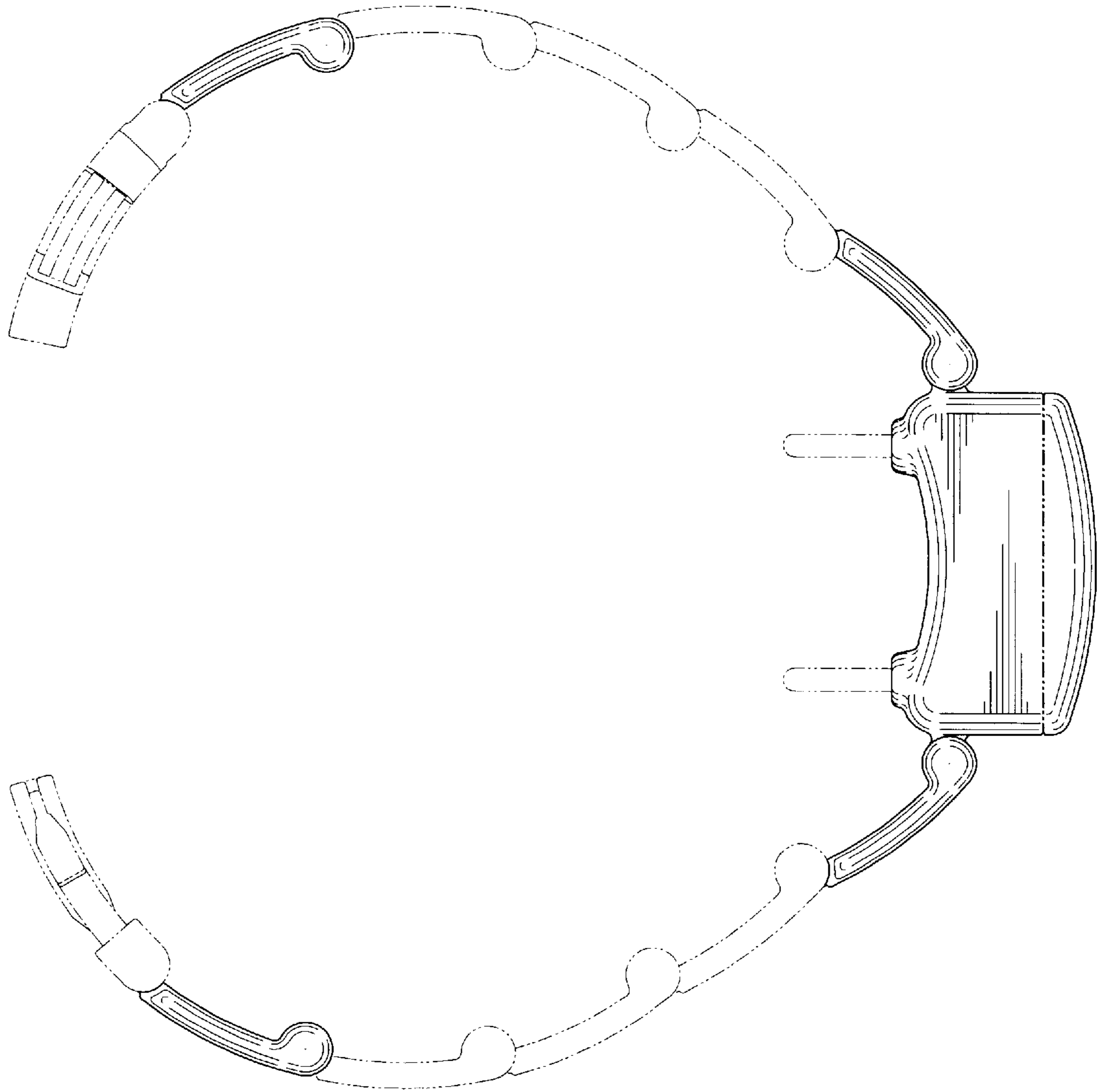


FIG. 3

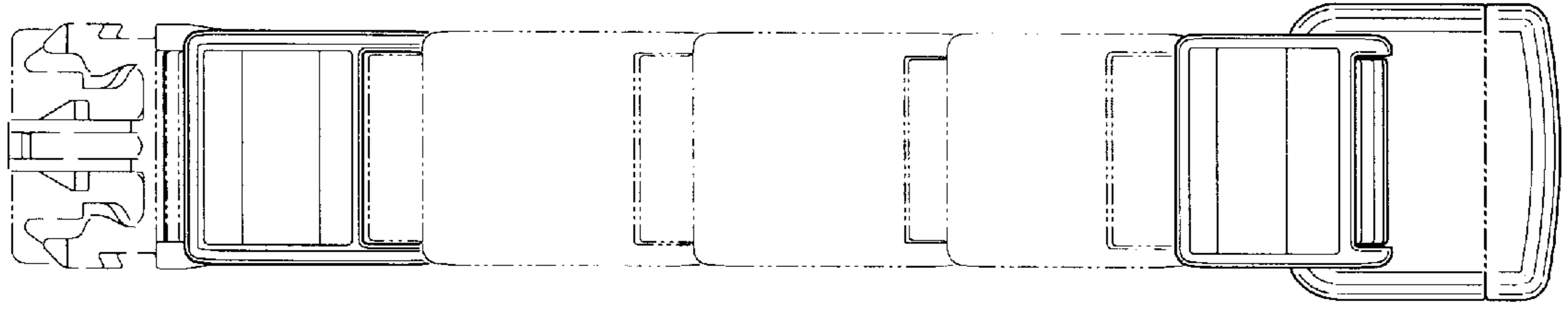


FIG. 5

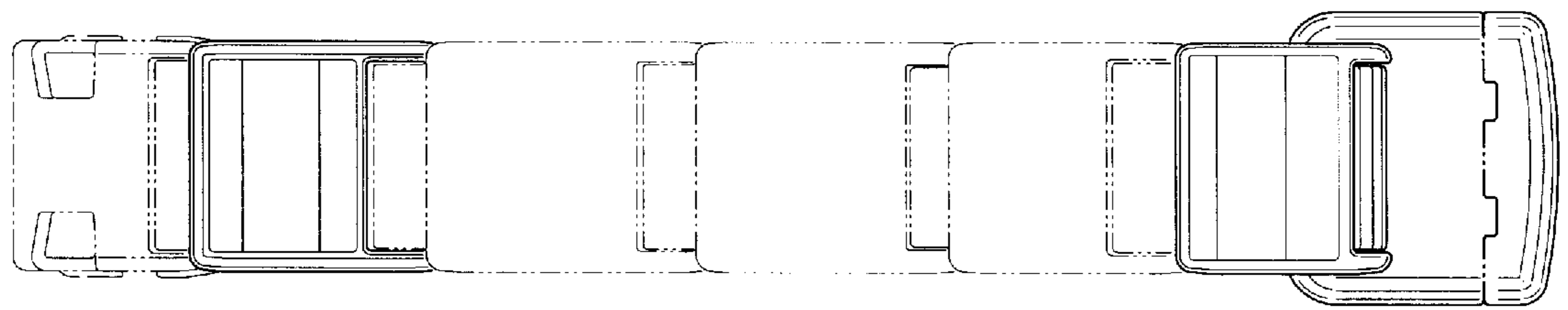


FIG. 4

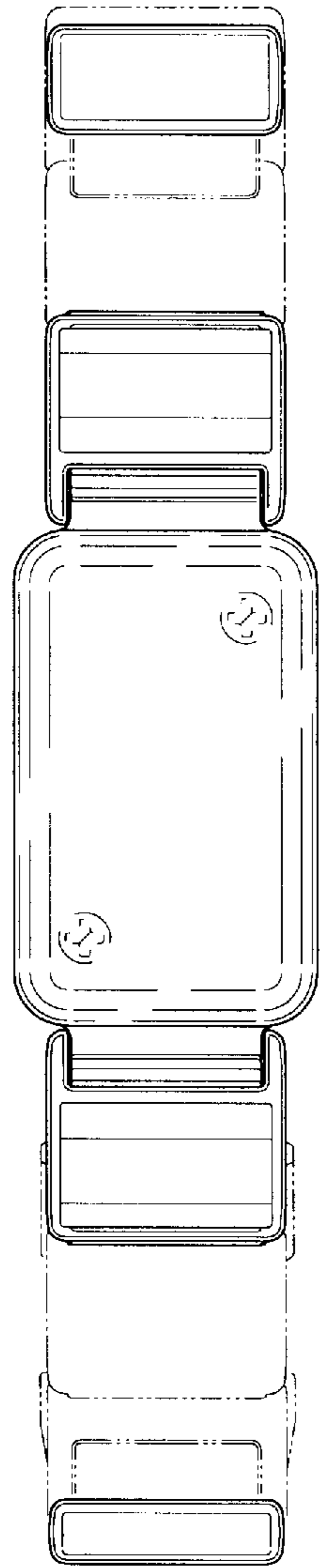


FIG. 6

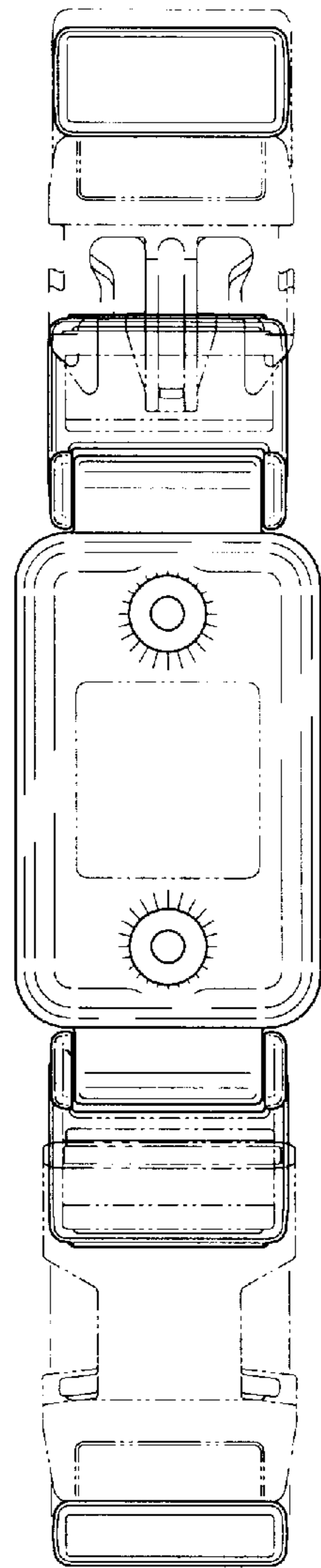


FIG. 7

UNITED STATES PATENT AND TRADEMARK OFFICE
CERTIFICATE OF CORRECTION

PATENT NO. : Des. 400,458
DATED : NOVEMBER 3, 1998
INVENTOR(S) : TITUS ET AL.

It is certified that error appears in the above-identified patent and that said Letters Patent is hereby corrected as shown below: On the title page, items:

[54] Title of Invention: "A ANIMAL" should read --AN ANIMAL--

[57] Claim: insert --for-- after the word "design"

[57] Claim: "a animal" should read --an animal--

Signed and Sealed this
Fifteenth Day of June, 1999

Attest:



Q. TODD DICKINSON

Attesting Officer

Acting Commissioner of Patents and Trademarks