



US00D400457S

**United States Patent** [19]  
**Wrisley**

[11] **Patent Number:** **Des. 400,457**  
[45] **Date of Patent:** **\*\*Nov. 3, 1998**

[54] **DISPLAY BEZEL FOR A HAND-HELD ELECTRONIC MEASUREMENT INSTRUMENT**

[75] Inventor: **Jerry L. Wrisley**, Beaverton, Oreg.

[73] Assignee: **Tektronix, Inc.**, Wilsonville, Oreg.

[\*\*] Term: **14 Years**

[21] Appl. No.: **82,469**

[22] Filed: **Jan. 22, 1998**

[51] **LOC (6) Cl.** ..... **10-04**

[52] **U.S. Cl.** ..... **D10/78**

[58] **Field of Search** ..... D10/78; 324/72.5, 324/110, 114, 115, 156, 158, 151 R, 151 A

[56] **References Cited**

**U.S. PATENT DOCUMENTS**

|            |         |                 |       |        |
|------------|---------|-----------------|-------|--------|
| D. 280,299 | 8/1985  | Nelson          | ..... | D10/40 |
| D. 282,532 | 2/1986  | Brown           | ..... | D10/78 |
| D. 314,715 | 2/1991  | Nelson          | ..... | D10/78 |
| D. 352,251 | 11/1994 | Ketterer        | ..... | D10/78 |
| D. 365,031 | 12/1995 | Kim             | ..... | D10/78 |
| D. 365,527 | 12/1995 | Peterson        | ..... | D10/78 |
| D. 365,996 | 1/1996  | Peterson        | ..... | D10/78 |
| D. 381,280 | 7/1997  | Tomiyama et al. | ..... | D10/78 |
| D. 385,808 | 11/1997 | Kim             | ..... | D10/78 |

**OTHER PUBLICATIONS**

Tektronix, Inc. Test and Measurement Product Catalog 1993.

U.S. application Ser. No. 8/820,300, Lyford, filed Mar. 1997.

*Primary Examiner*—Antoine Duval Davis

*Attorney, Agent, or Firm*—William K. Bucher

[57] **CLAIM**

The ornamental design for a display bezel for a hand-held electronic measurement instrument, as shown and described.

**DESCRIPTION**

FIG. 1 is a perspective view of a display bezel for a hand-held electronic measurement instrument showing my new design;

FIG. 2 front elevation view of the display bezel for a hand-held electronic measurement instrument showing in broken lines the environment in which the display bezel is used;

FIG. 3 is a left side elevation view having a mirrored right side elevation view of the display bezel for a hand-held electronic measurement instrument;

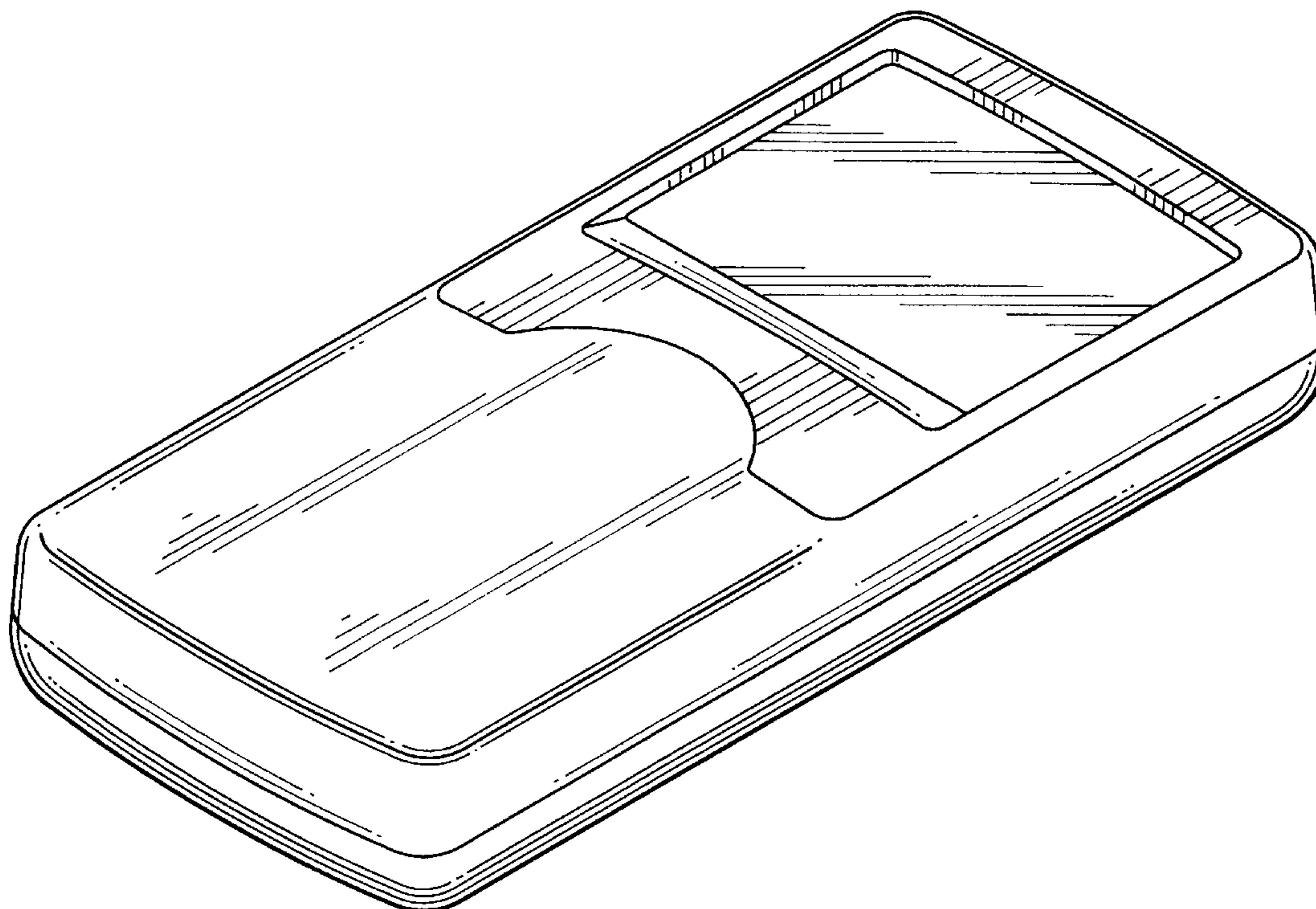
FIG. 4 is a bottom end elevation view having a mirrored top end elevation view of the display bezel for a hand-held electronic measurement instrument;

FIG. 5 is a back elevation view of the display bezel for a hand-held electronic measurement instrument; and,

FIG. 6 is a front elevation view of the display bezel for a hand-held electronic measurement instrument.

The broken line showing is for illustrative purposes only and forms no part of the claimed design.

**1 Claim, 4 Drawing Sheets**



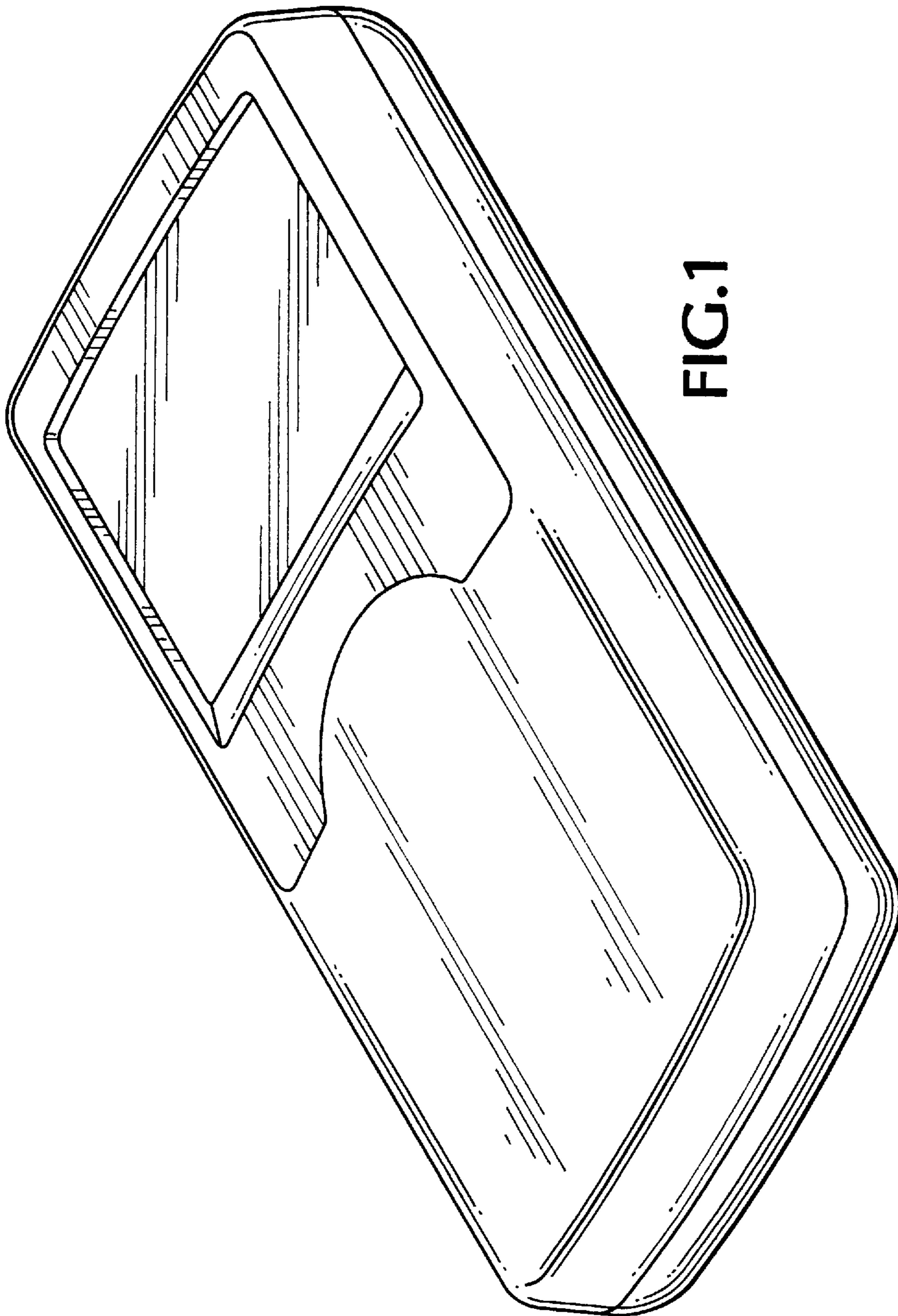


FIG. 1

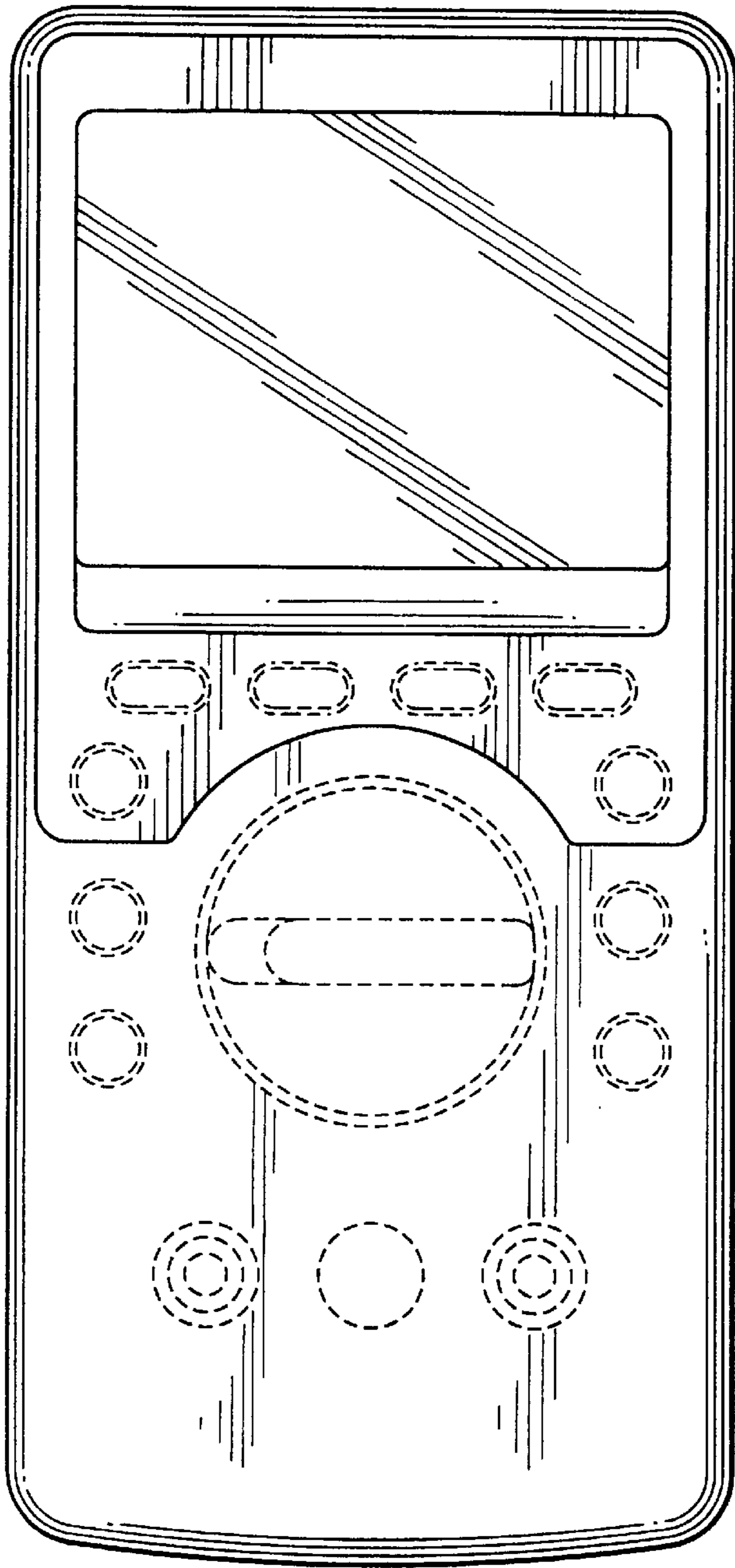


FIG. 2

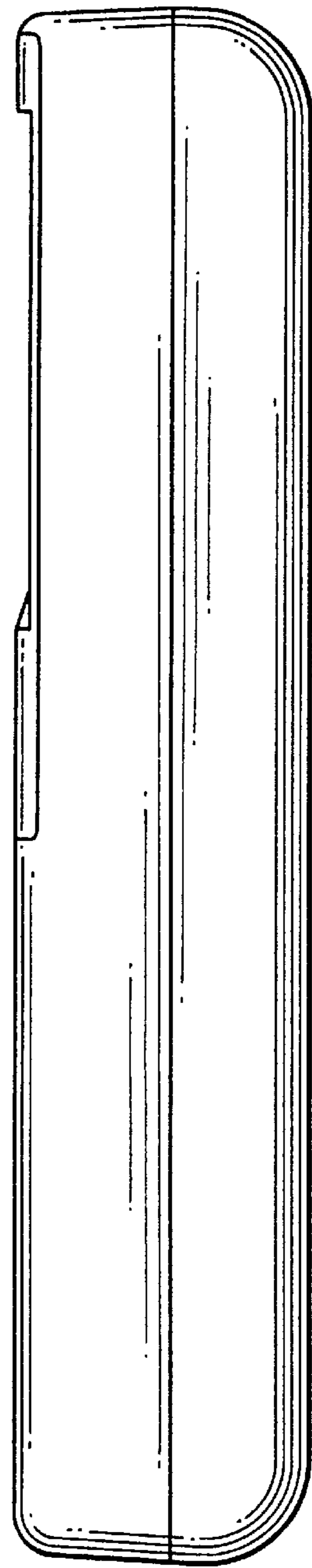


FIG. 3

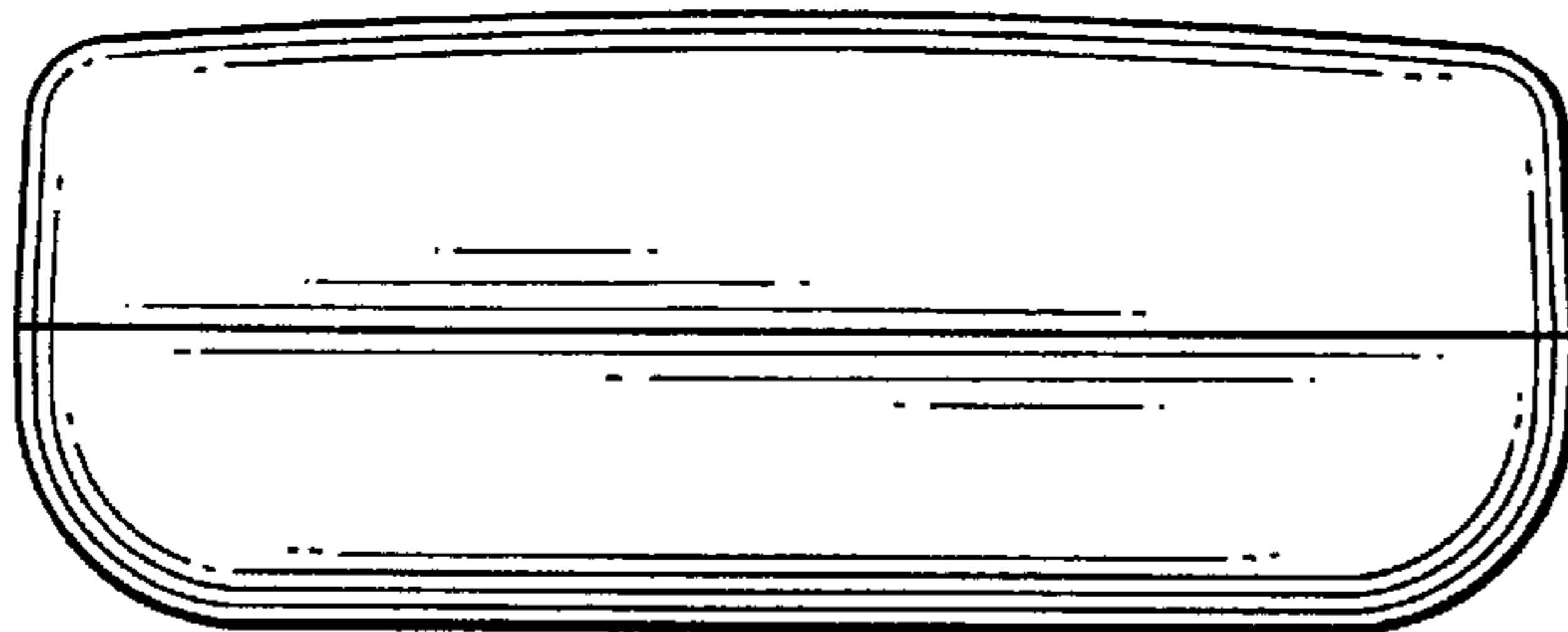


FIG. 4

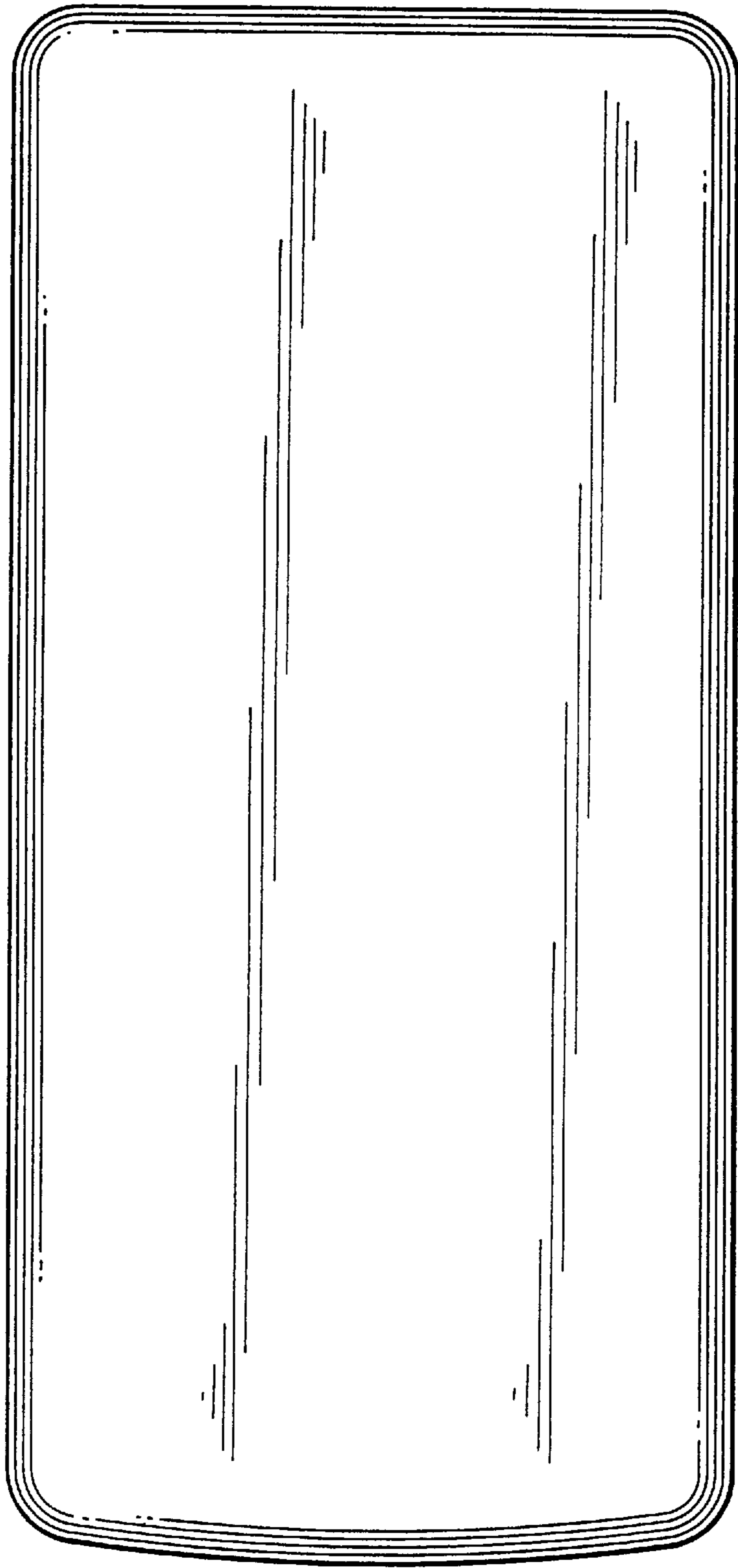


FIG.5

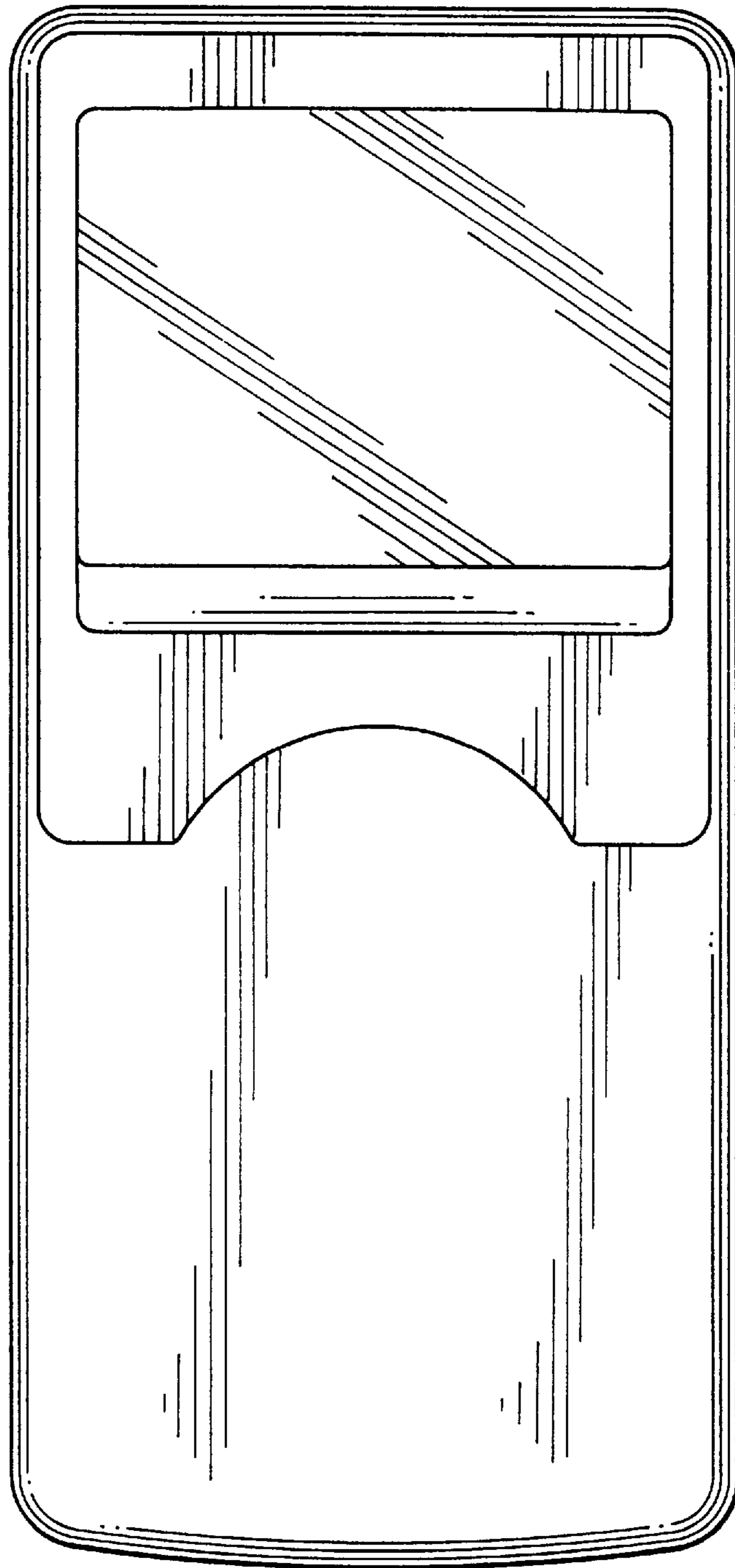


FIG.6