



US00D400456S

United States Patent [19]

[11] **Patent Number: Des. 400,456**

Inoue

[45] **Date of Patent: **Nov. 3, 1998**

[54] **PRESSURE SWITCH**

*Primary Examiner—Antoine Duval Davis
Attorney, Agent, or Firm—Oblon, Spivak, McClelland,
Maier & Neustadt, P.C.*

[75] Inventor: **Keisuke Inoue**, Yawara-mura, Japan

[73] Assignee: **SMC Corporation**, Tokyo, Japan

[57] **CLAIM**

[**] Term: **14 Years**

The ornamental design for a pressure switch, as shown and described.

[21] Appl. No.: **69,102**

DESCRIPTION

[22] Filed: **Apr. 14, 1997**

FIG. 1 is a top, front and right side perspective view of pressure switch showing my new design;

[30] **Foreign Application Priority Data**

FIG. 2 is a bottom, rear and left side perspective view thereof;

Oct. 14, 1996 [JP] Japan 8-30689

FIG. 3 is a front view thereof;

[51] **LOC (6) Cl.** **10-04**

FIG. 4 is a rear view thereof;

[52] **U.S. Cl.** **D10/85**

FIG. 5 is a top plan view thereof;

[58] **Field of Search** D10/83-85; 200/83 J,
200/83 P, 279, 83 N, 306, 83 R, 83 Q,
83 W, 83 Z, 293, 82 A, 83 S, 83 E; 73/723,
745

FIG. 6 is a bottom plan view thereof;

FIG. 7 is a left side view thereof;

FIG. 8 is a right side view thereof;

FIG. 9 is a front view of a second embodiment of the pressure switch, the bottom view thereof being identical to the first disclosed embodiment;

[56] **References Cited**

FIG. 10 is a rear view thereof;

U.S. PATENT DOCUMENTS

FIG. 11 is a top plan view thereof; and,

5,140,113 8/1992 Machado 200/83 J
5,530,215 6/1996 Couvreur 200/83 R
5,552,646 9/1996 Frede 200/83 W X

FIG. 12 is top, front and right side perspective view thereof.

1 Claim, 4 Drawing Sheets

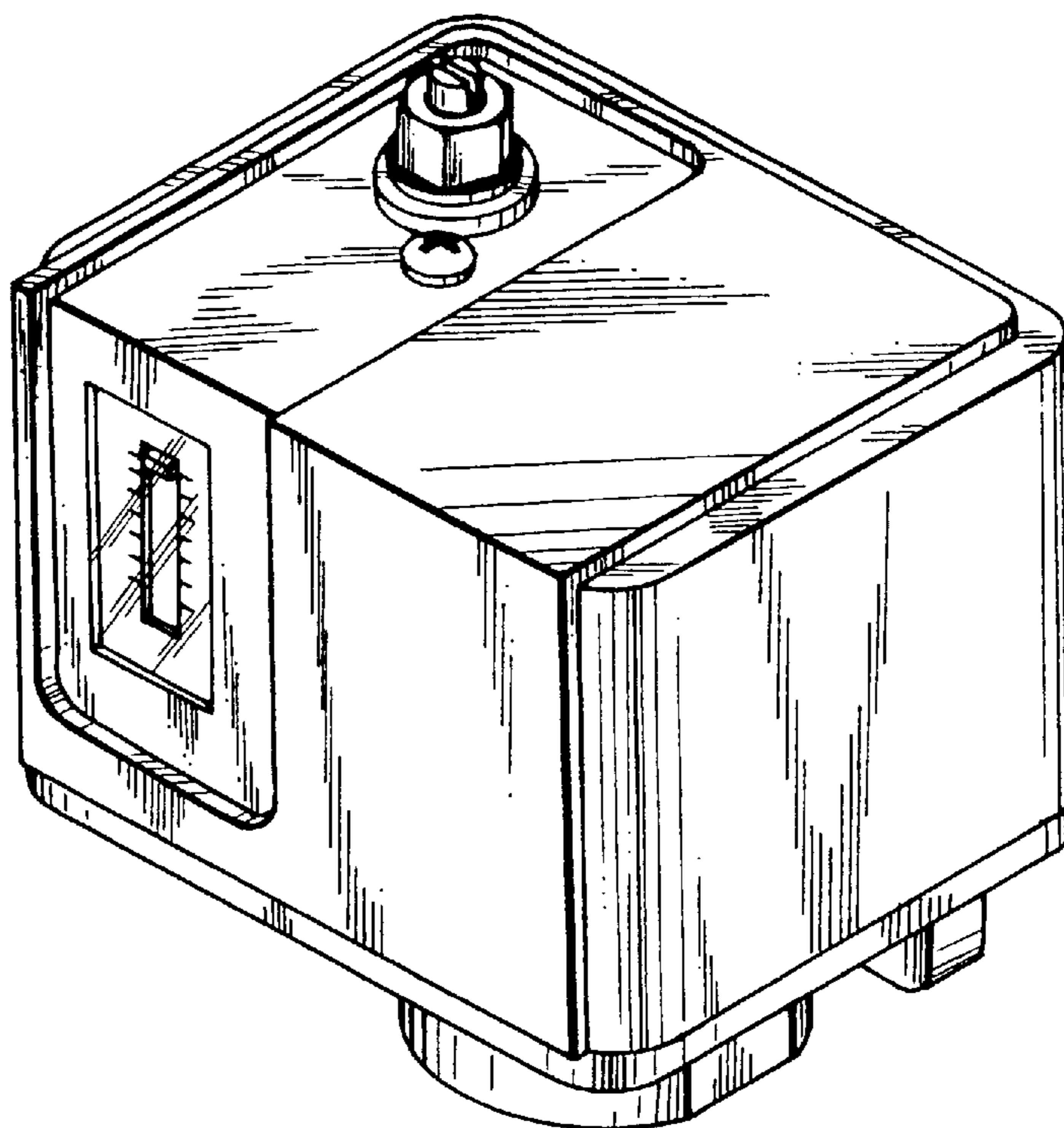


FIG. 1

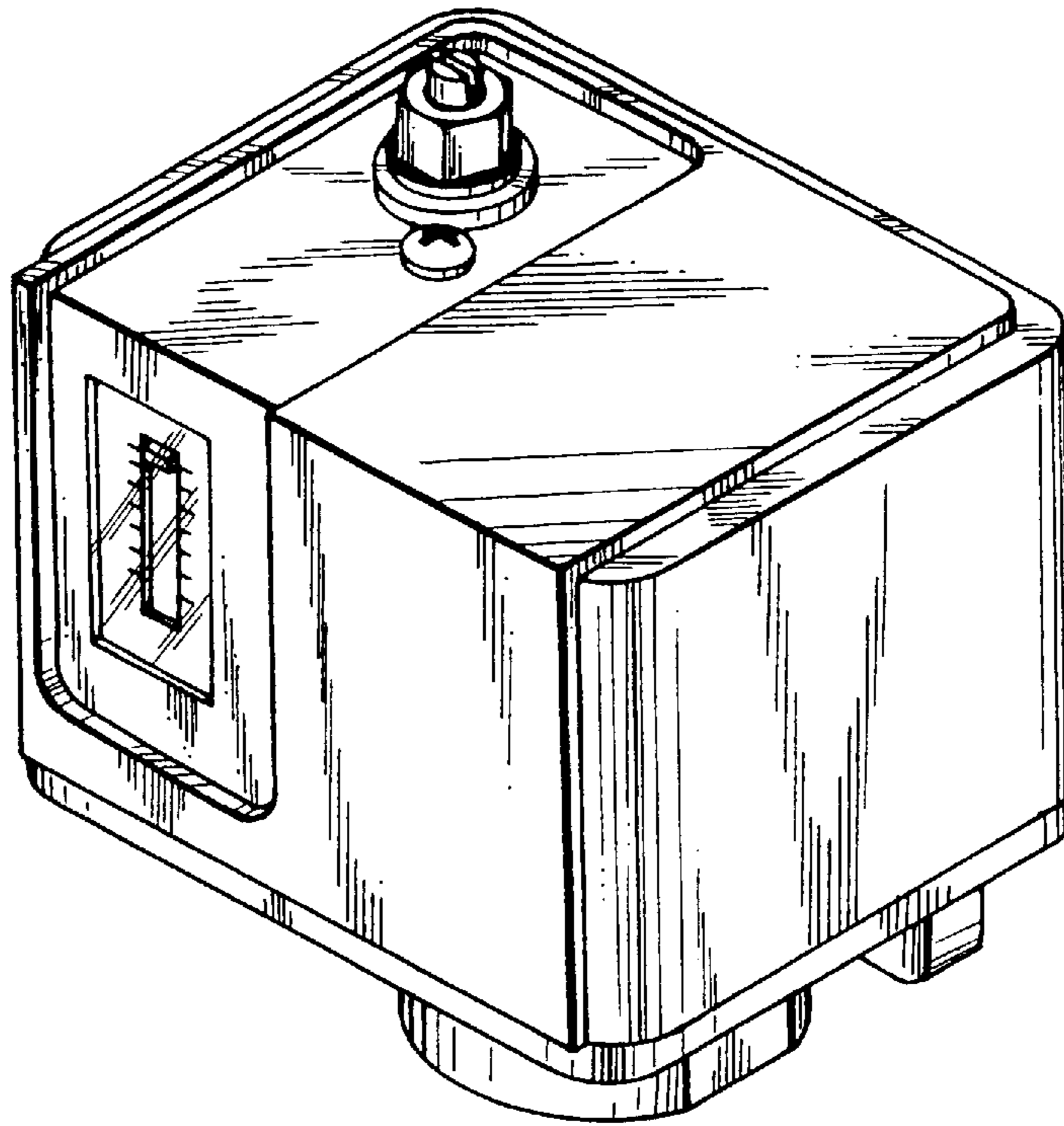


FIG. 2

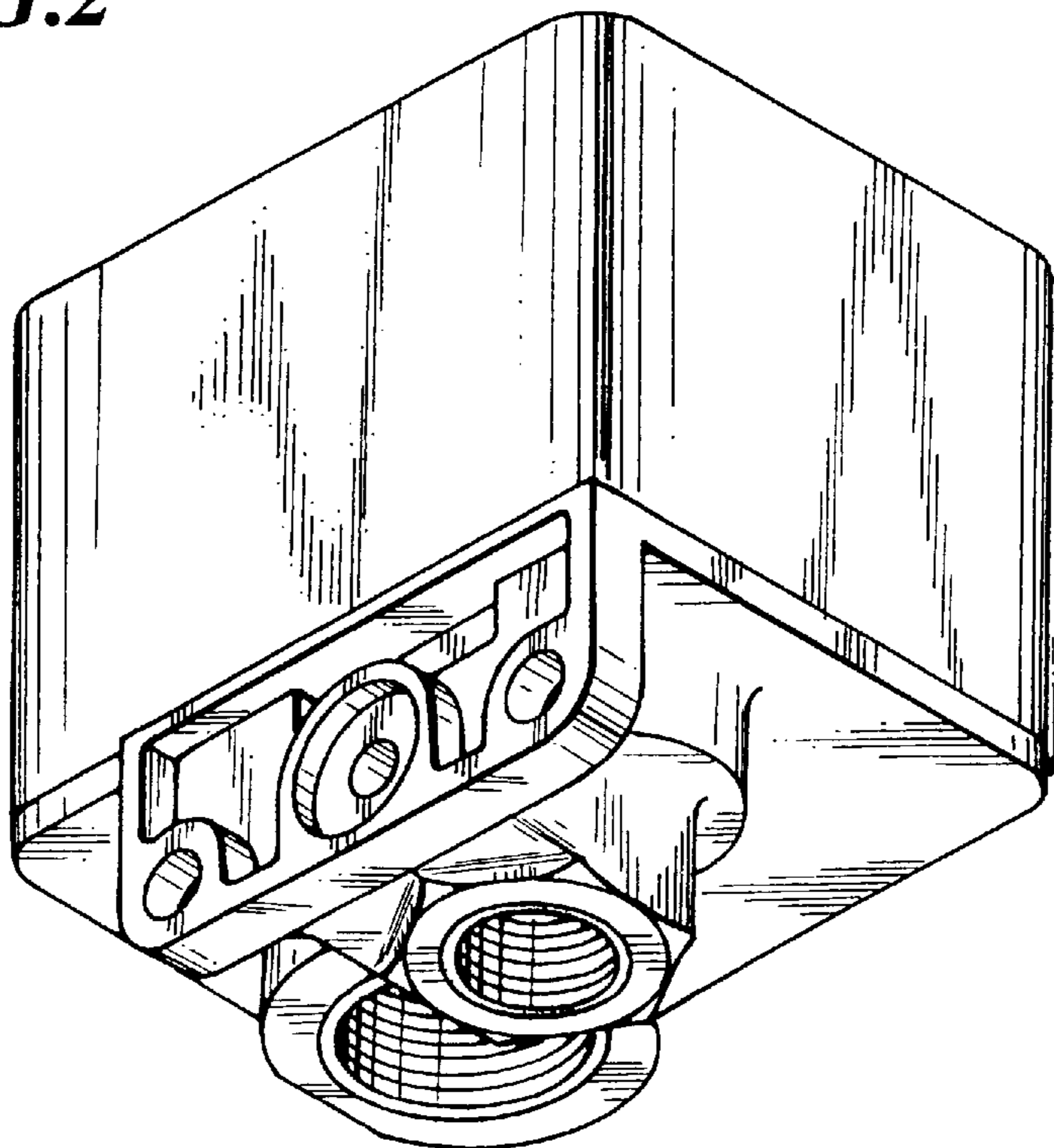


FIG. 3

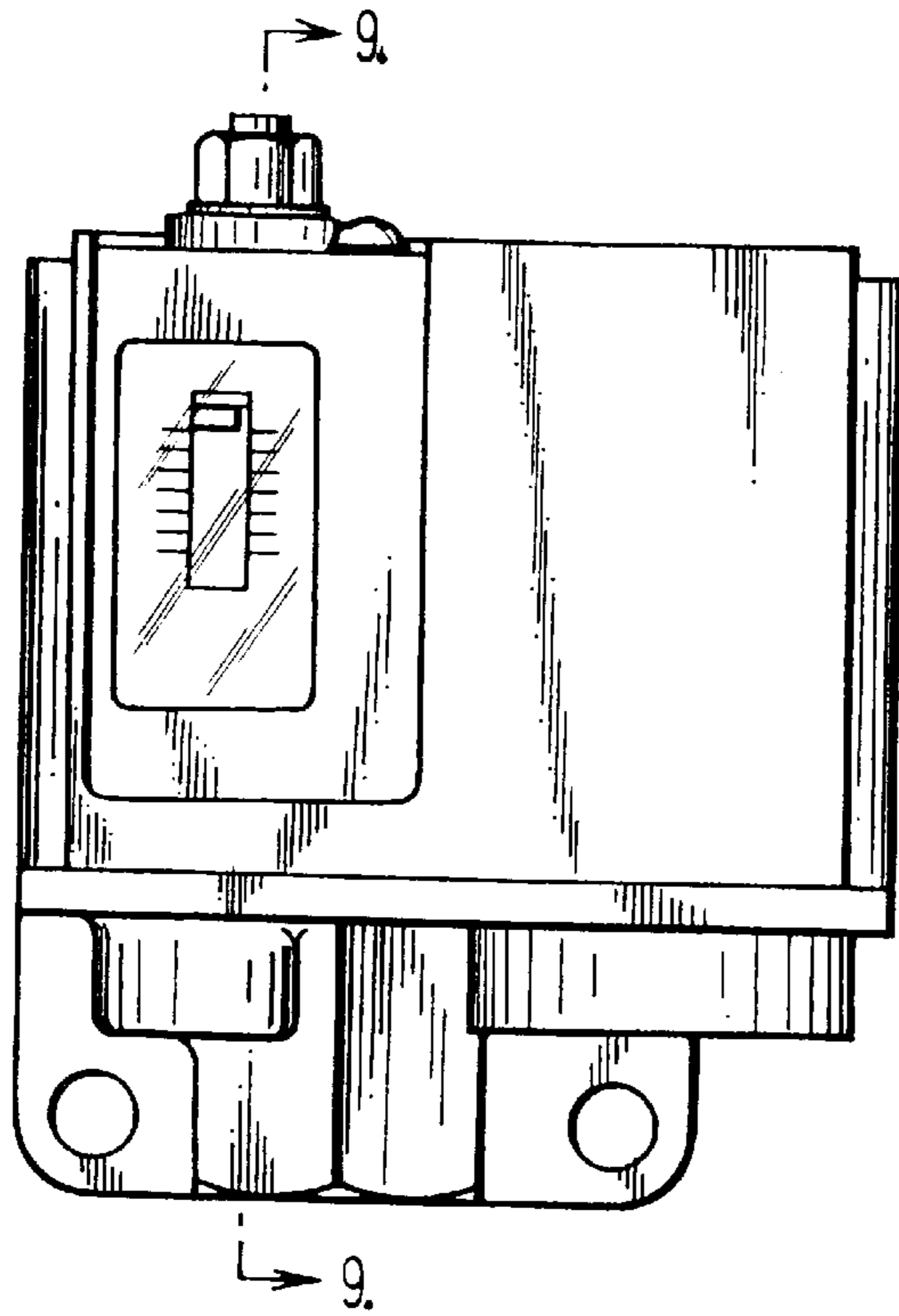


FIG. 4

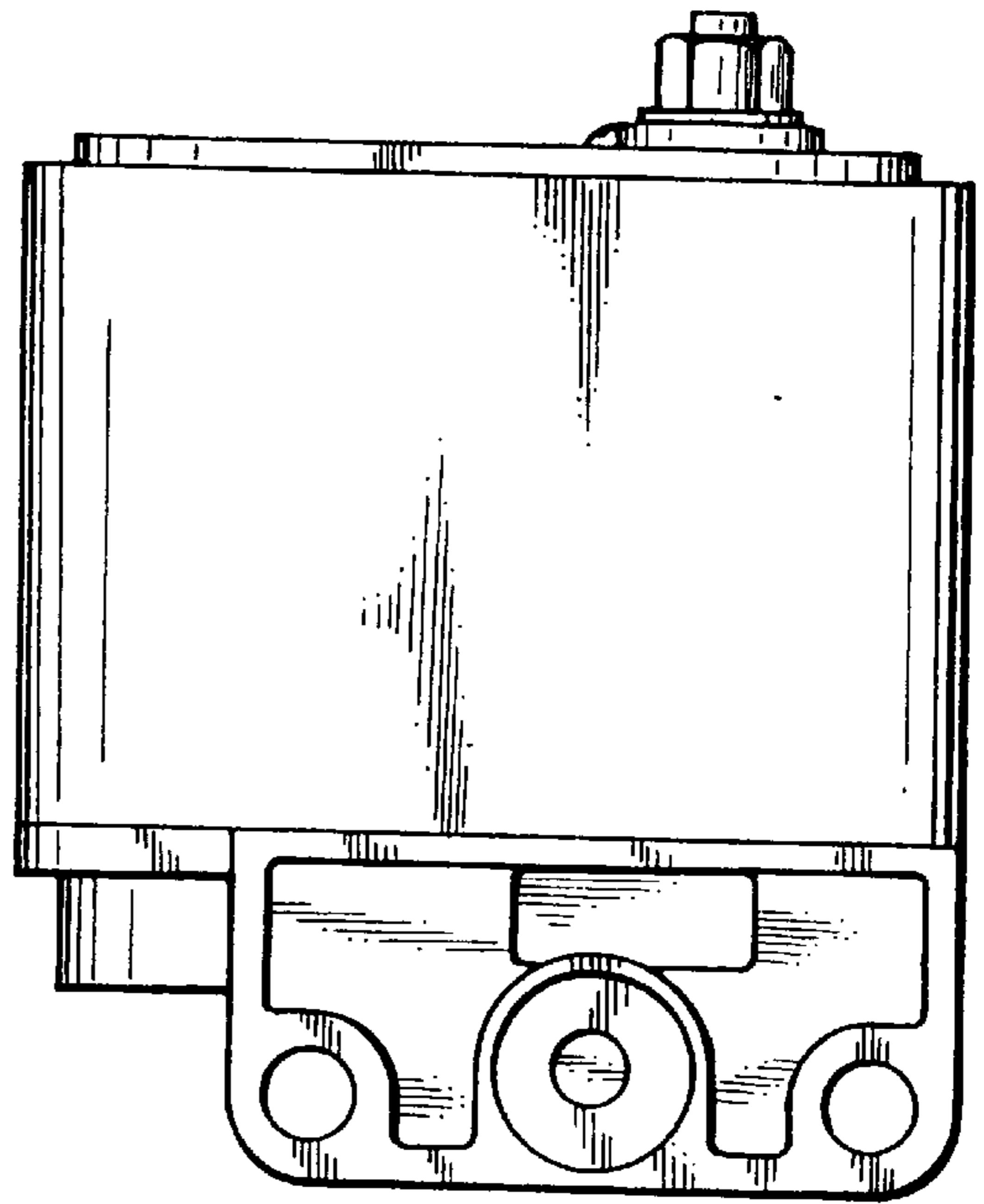


FIG. 5

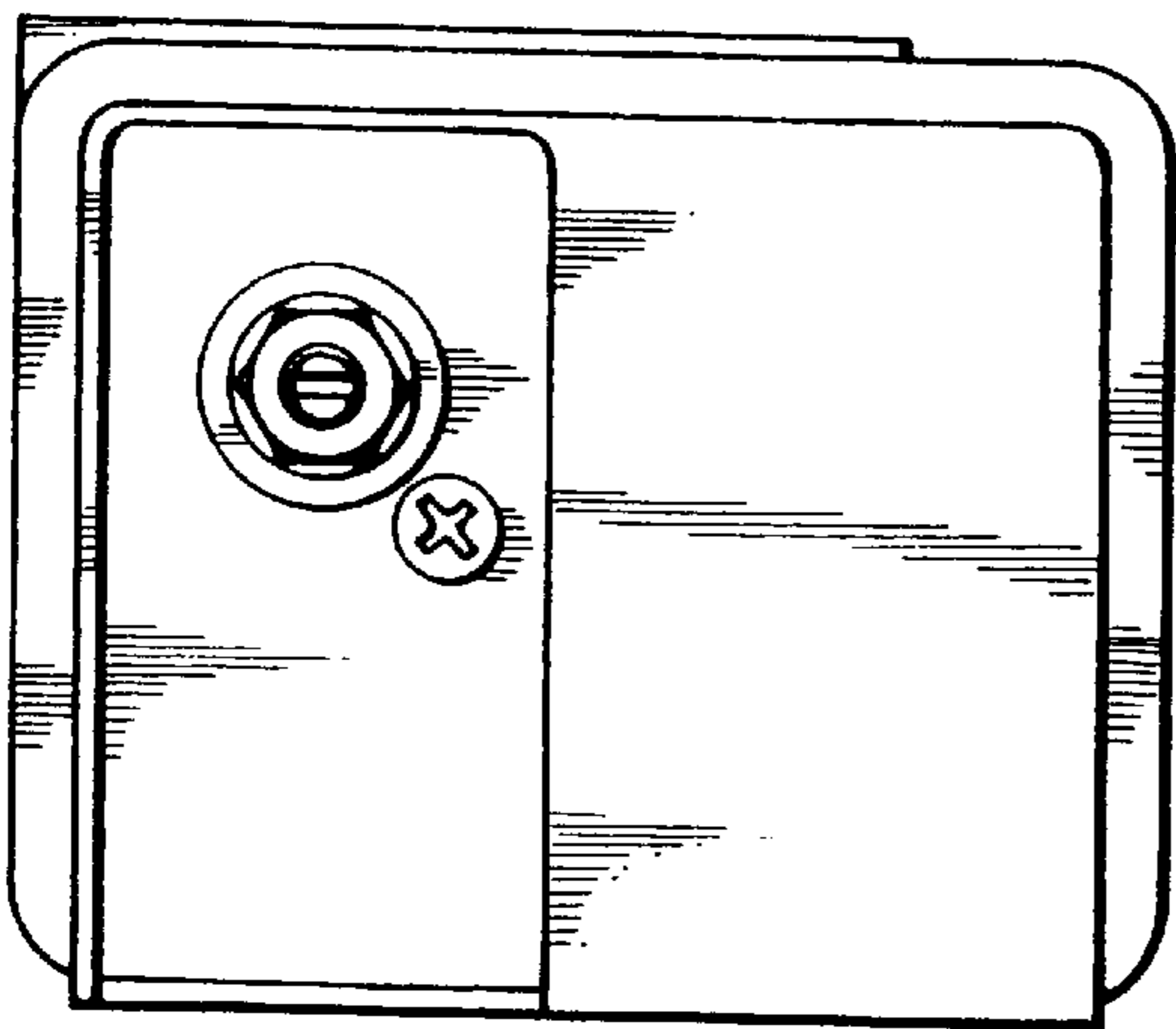


FIG. 6

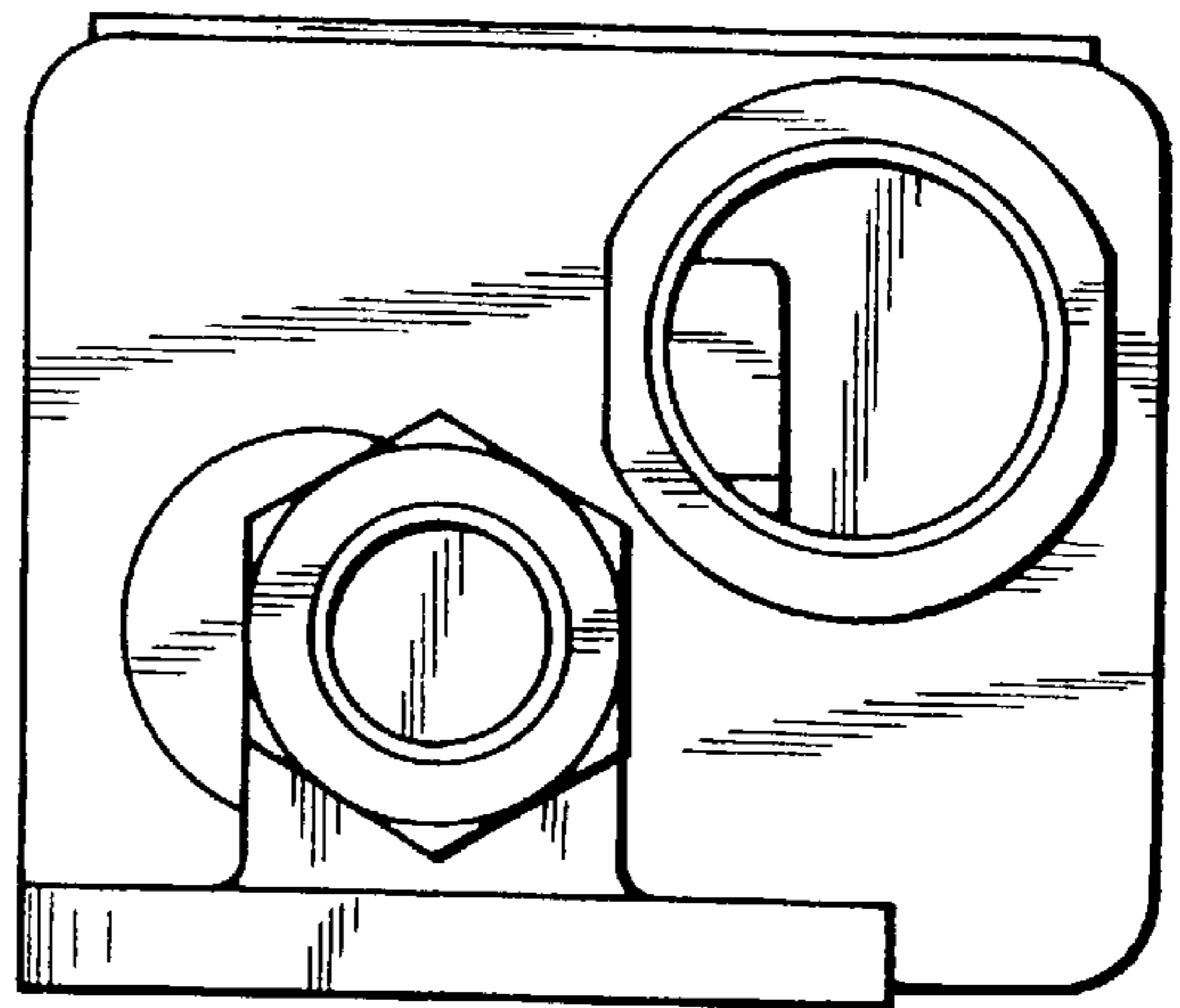


FIG. 7

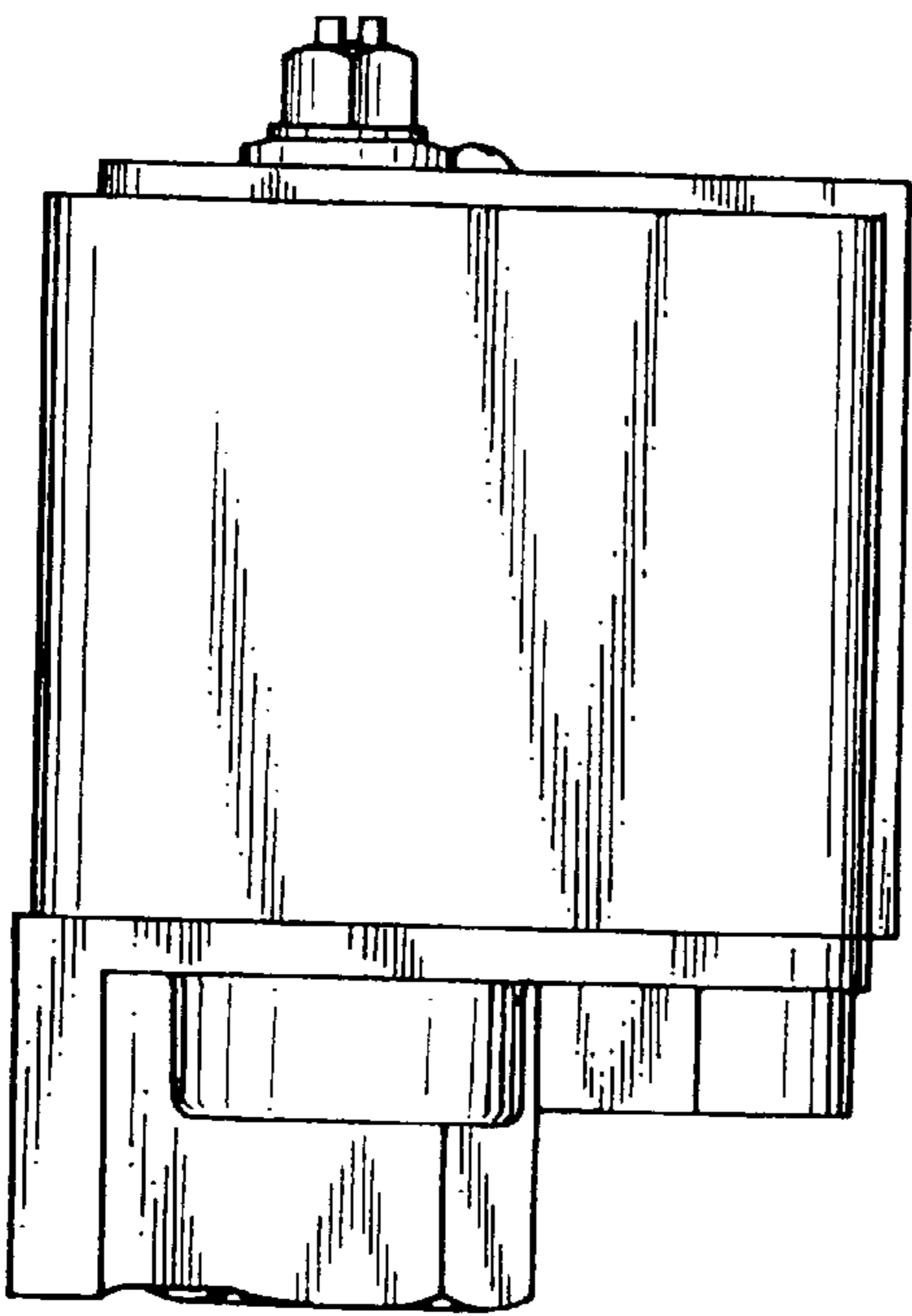


FIG. 8

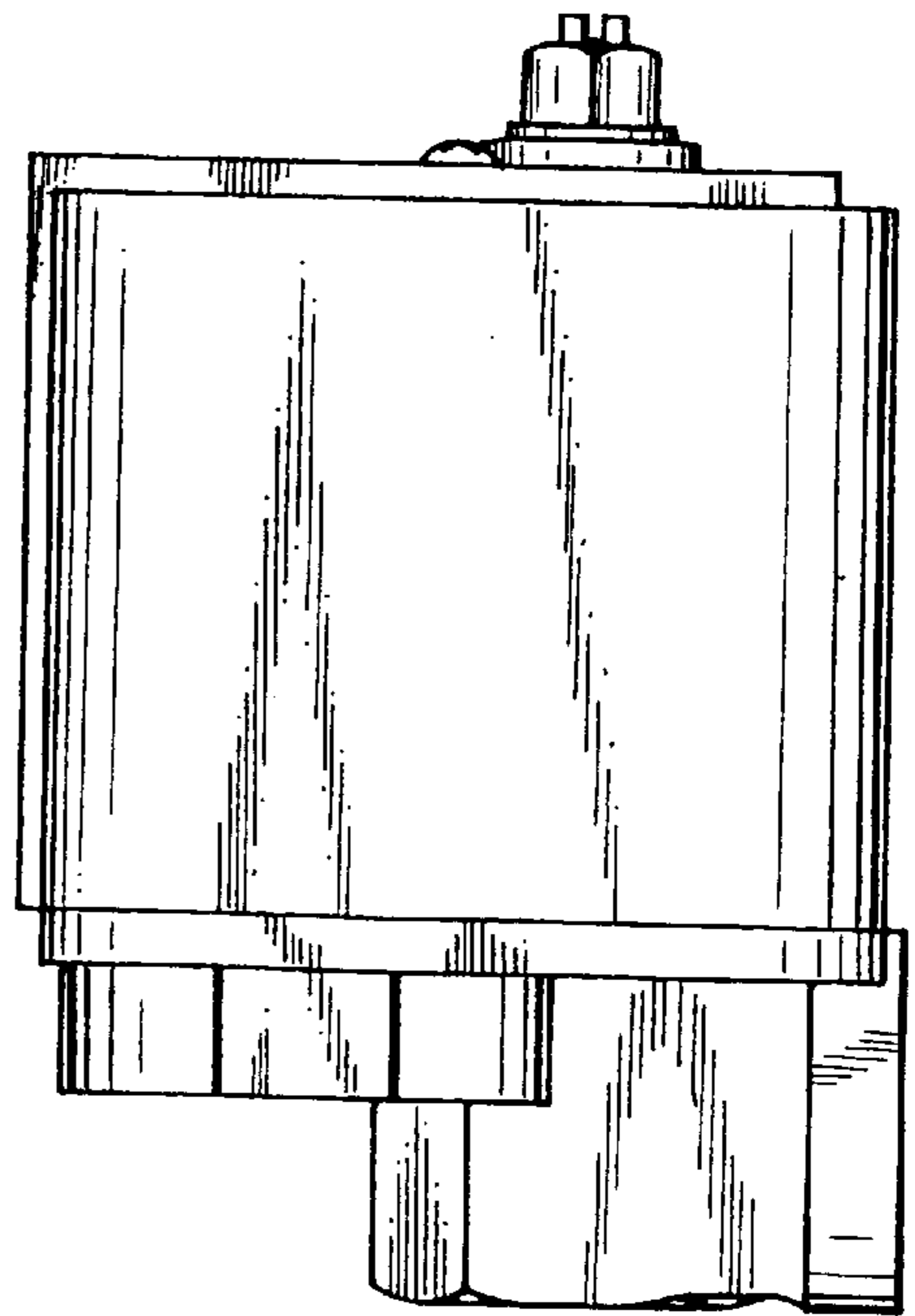


FIG. 9

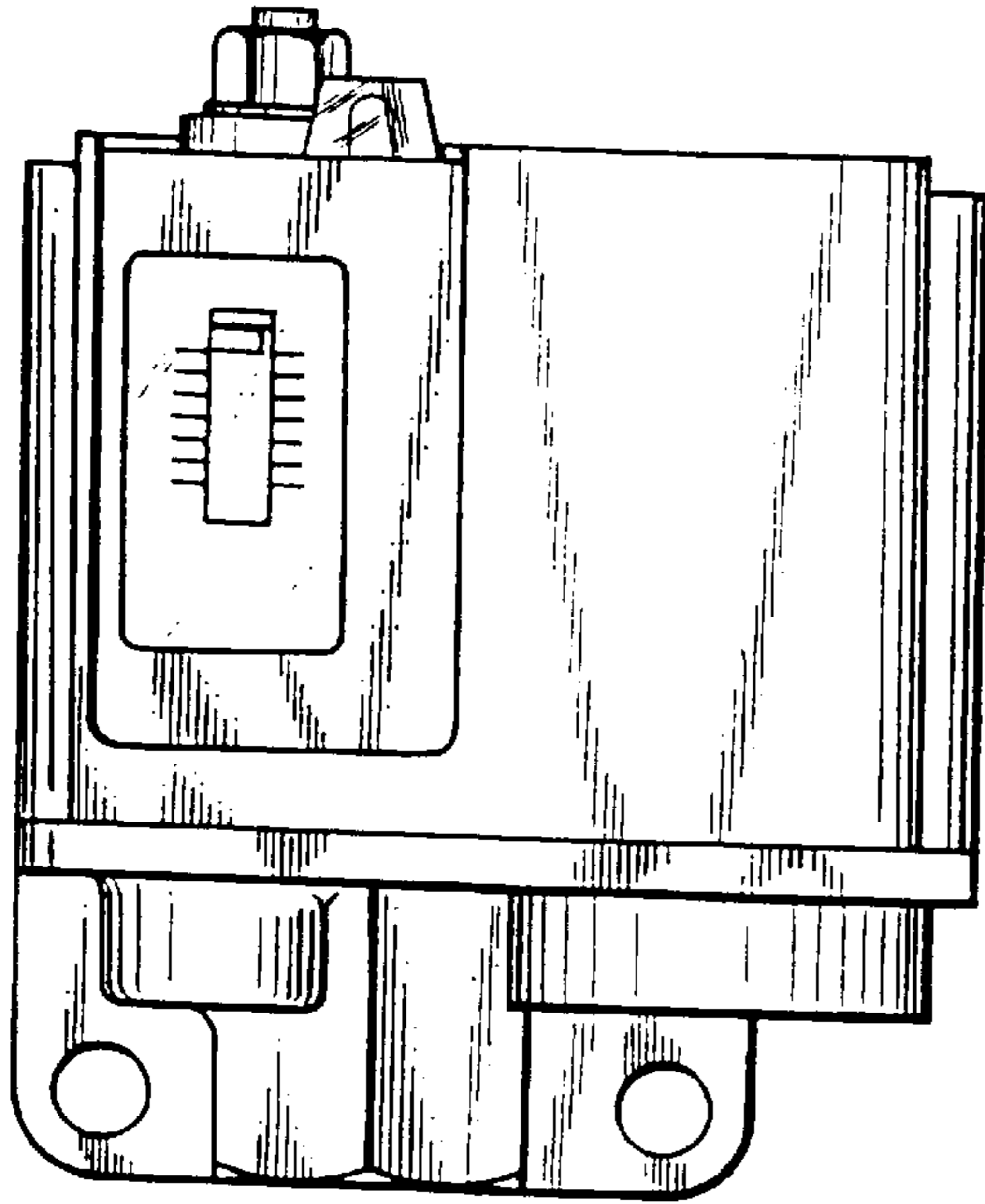


FIG. 10

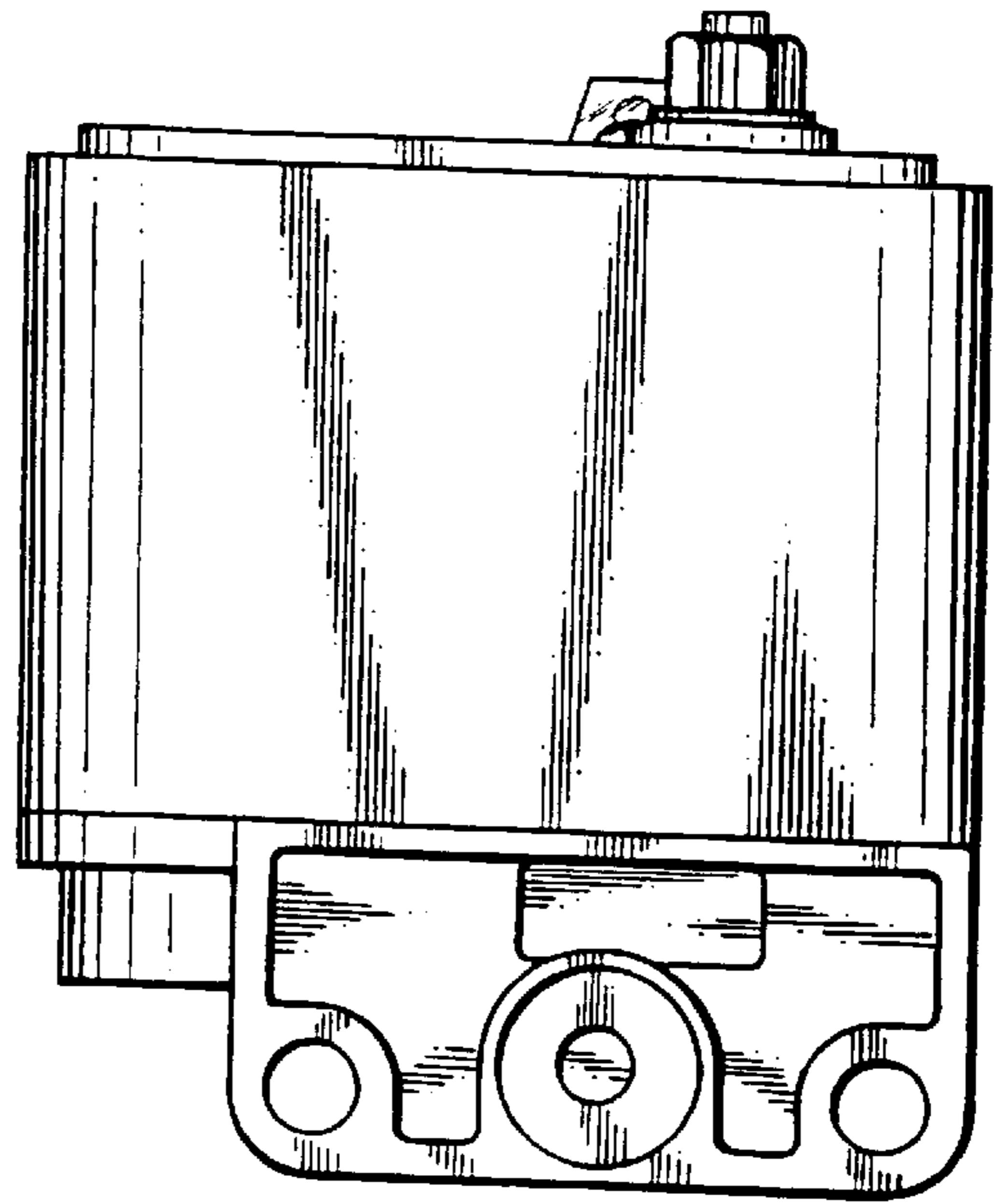


FIG. 11

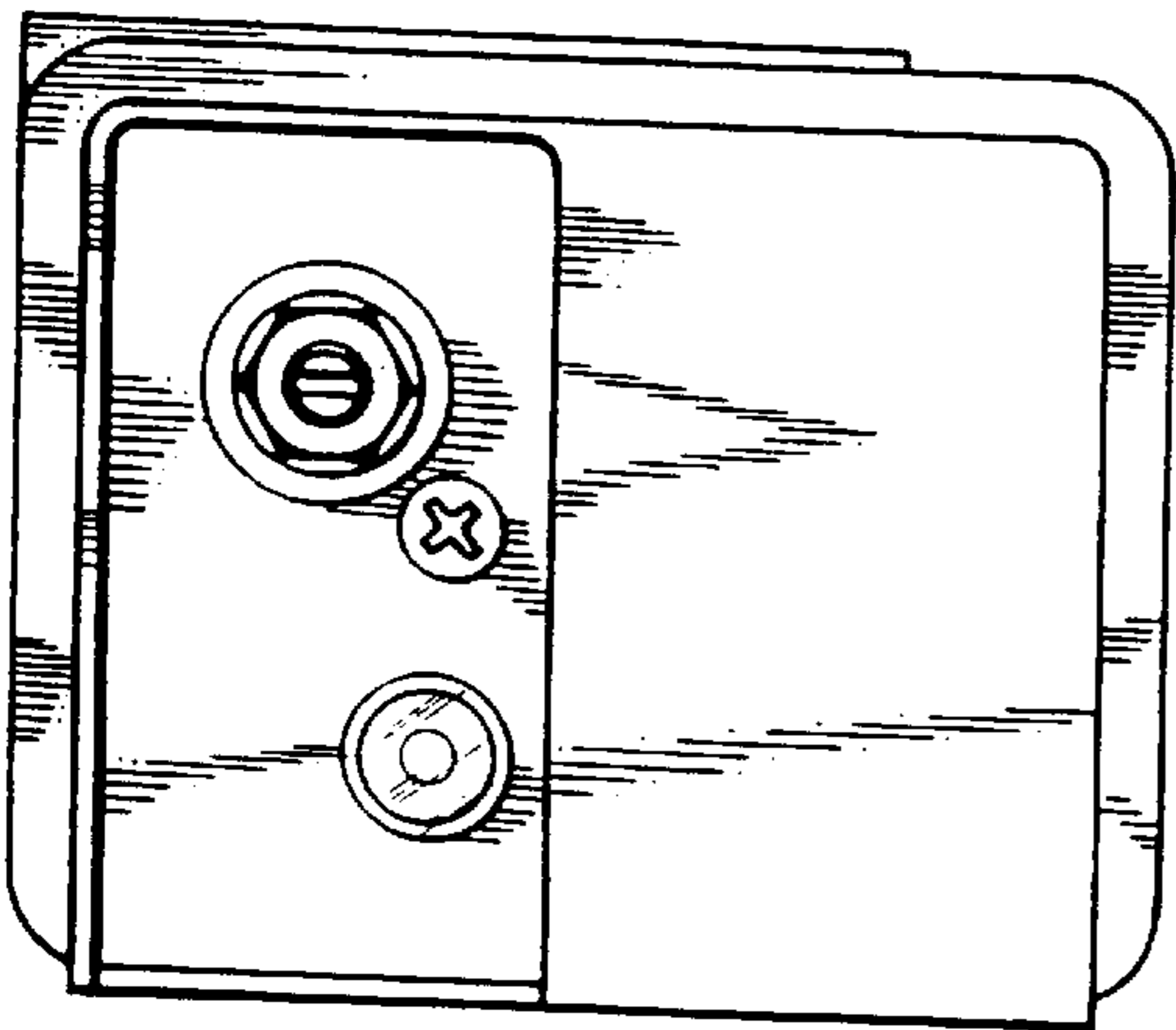


FIG. 12

