



US00D400455S

**United States Patent** [19]  
**Fisher**

[11] **Patent Number: Des. 400,455**  
[45] **Date of Patent: \*\*Nov. 3, 1998**

[54] **ELECTRICAL TESTER**

D. 391,504 3/1998 Arnoux et al. .... D10/78  
5,448,162 9/1995 Beha ..... 324/72.5

[75] Inventor: **Steven W. Fisher**, Edmonds, Wash.

*Primary Examiner*—Antoine Duval Davis

[73] Assignee: **Fluke Corporation**, Everett, Wash.

[57] **CLAIM**

[\*\*] Term: **14 Years**

The ornamental design for an electrical tester, as shown and described.

[21] Appl. No.: **80,641**

**DESCRIPTION**

[22] Filed: **Dec. 12, 1997**

FIG. 1 is a perspective view of an electrical tester showing my new design;

[51] **LOC (6) Cl.** ..... **10-04**

FIG. 2 is a front plan view;

[52] **U.S. Cl.** ..... **D10/78**

FIG. 3 is a right side elevational view;

[58] **Field of Search** ..... D10/78; 324/72.5,  
324/115, 122, 149, 133; 340/653, 660;  
379/21, 24, 27

FIG. 4 is a left side elevational view;

FIG. 5 is a rear plan view;

FIG. 6 is a top elevational view; and,

FIG. 7 is a bottom elevational view.

[56] **References Cited**

The broken line showing is for illustrative purposes only and forms no part of the claimed design.

**U.S. PATENT DOCUMENTS**

D. 251,184 2/1979 Volk ..... D10/78  
D. 367,431 2/1996 Omuro et al. .... D10/78

**1 Claim, 4 Drawing Sheets**

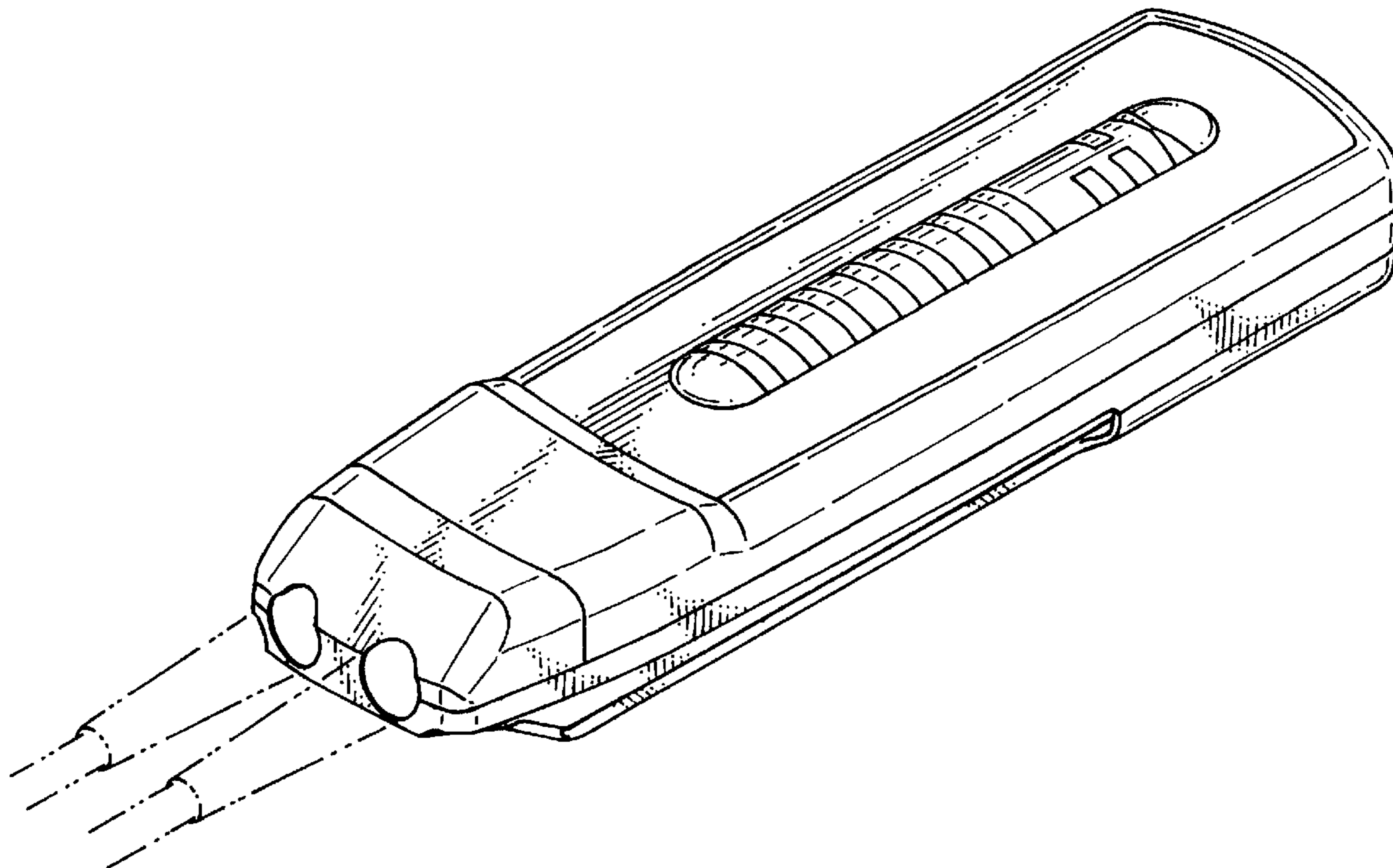


FIG. 1

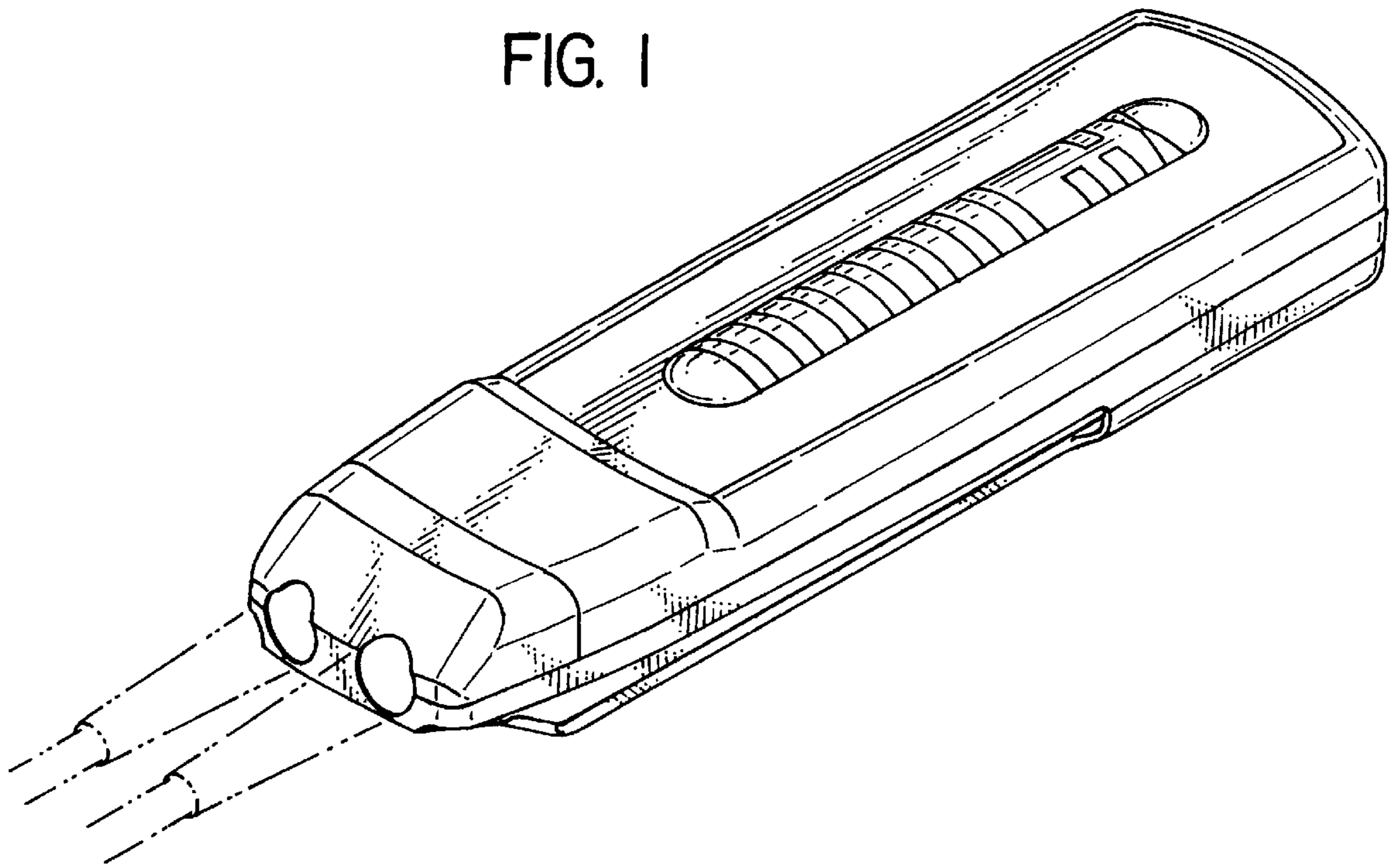


FIG. 2

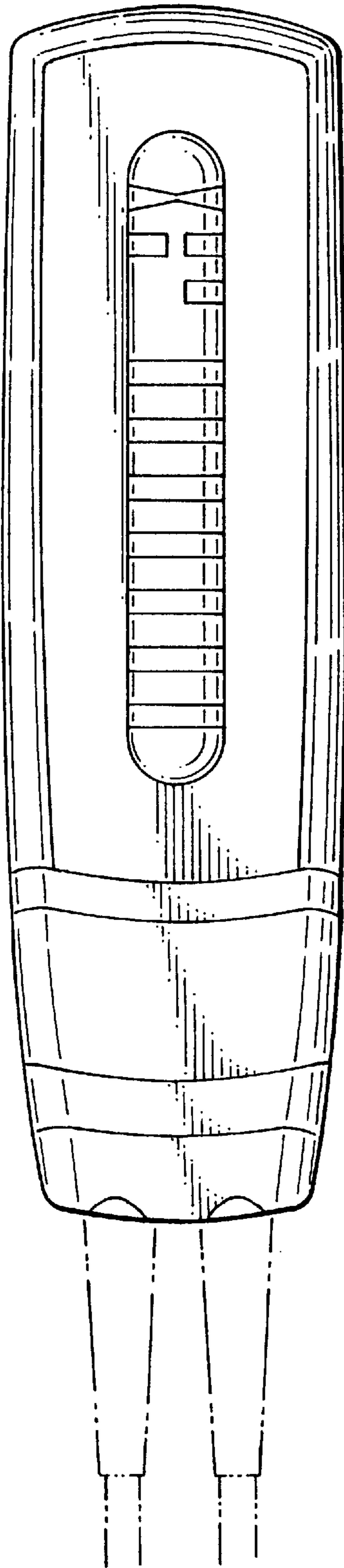


FIG. 3

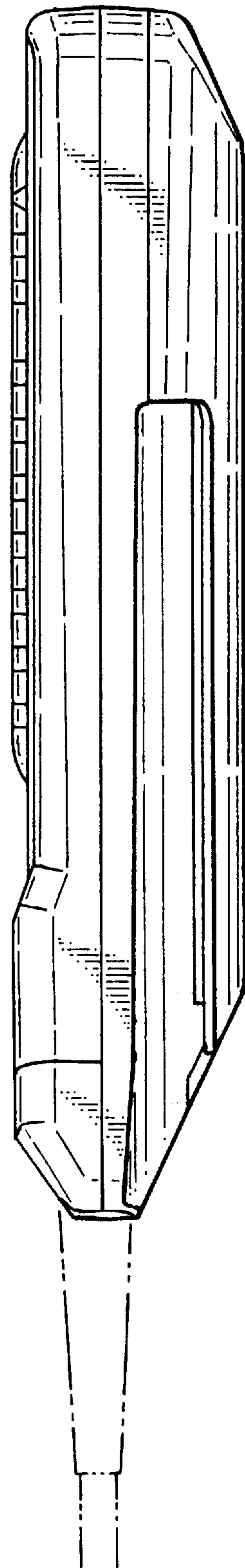


FIG. 4

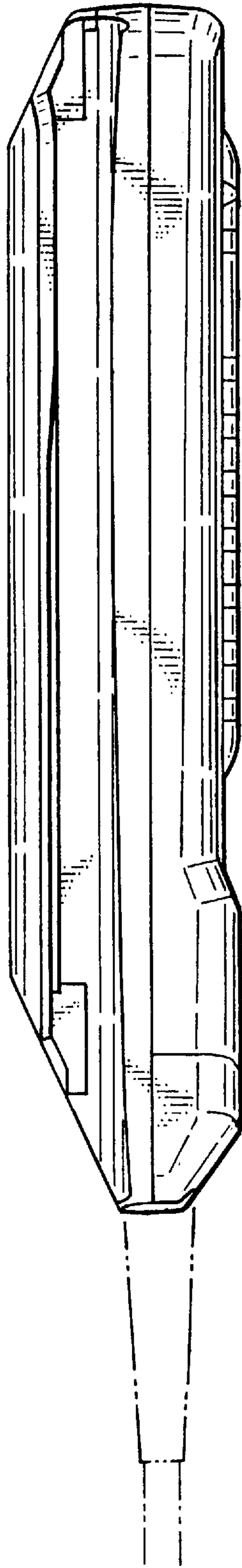


FIG. 5

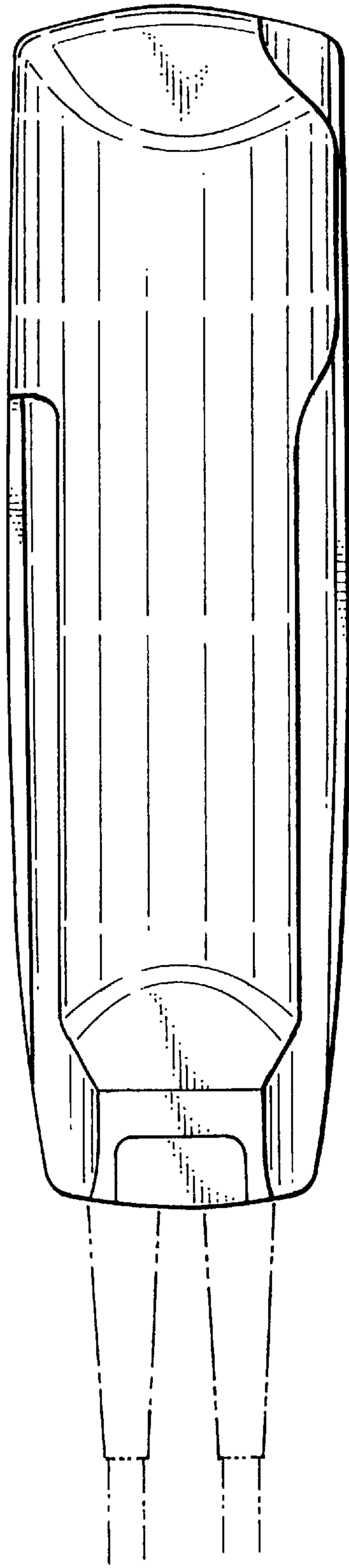


FIG. 6

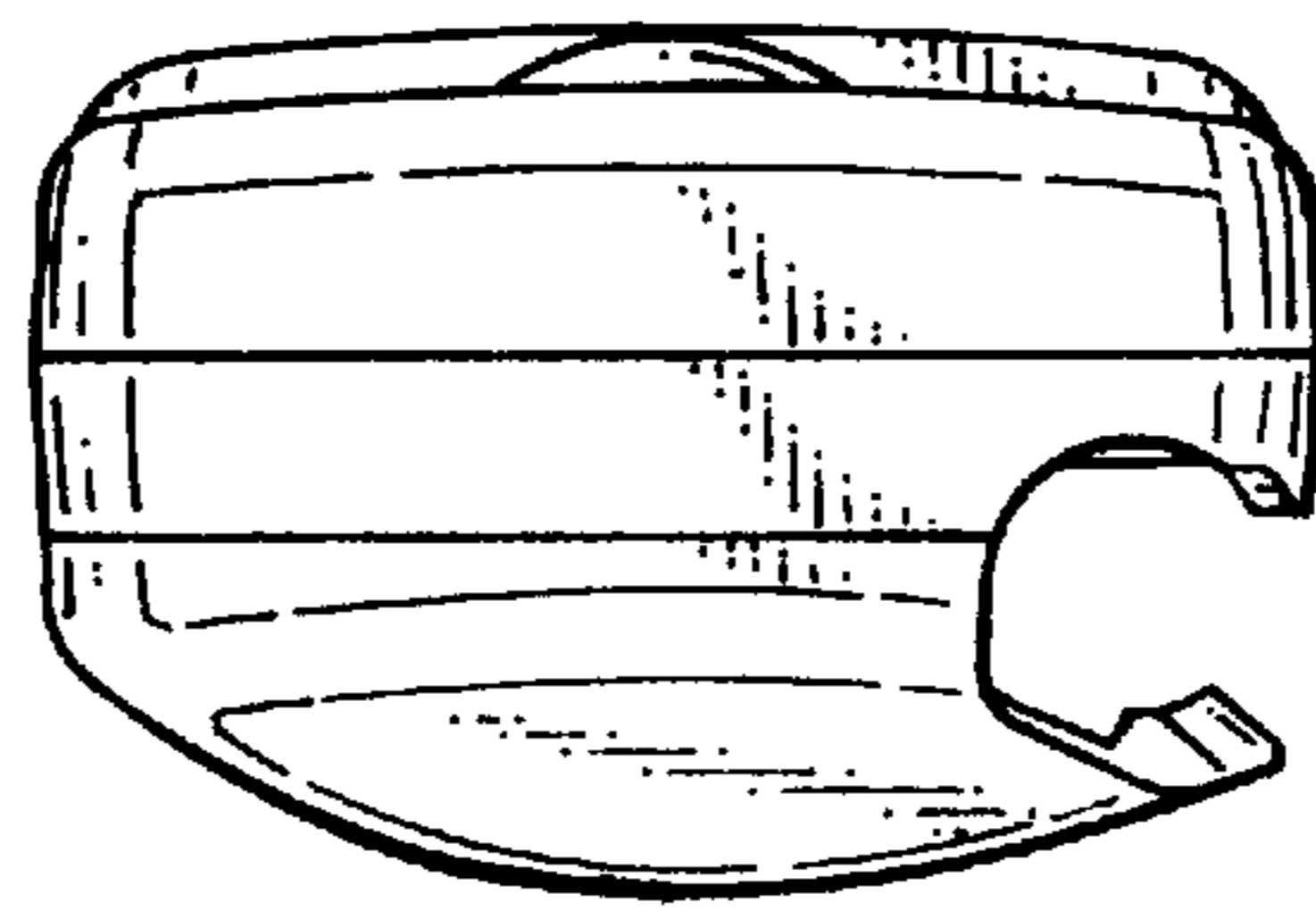


FIG. 7

