



US00D400453S

United States Patent [19]
Holland

[11] **Patent Number: Des. 400,453**

[45] **Date of Patent: **Nov. 3, 1998**

[54] **MULTIFUNCTION LAYOUT TOOL**

[76] Inventor: **Lewis G. Holland**, 20701 Holland La.,
Roland, Ark. 72135

[**] Term: **14 Years**

[21] Appl. No.: **81,088**

[22] Filed: **Dec. 19, 1997**

[51] **LOC (6) Cl.** **10-04**

[52] **U.S. Cl.** **D10/65**

[58] **Field of Search** D10/65; 33/403,
33/418-426, 435

[56] **References Cited**

U.S. PATENT DOCUMENTS

14,973	4/1856	Thompson	D10/65
D. 265,725	8/1982	Ingram	D10/65
500,727	7/1893	Walentowitz	33/418
530,060	11/1894	Amos	33/419

Primary Examiner—Antoine Duval Davis
Attorney, Agent, or Firm—Jerry L. Mahurin

[57] **CLAIM**

The ornamental design for a multifunction layout tool, as shown and described.

DESCRIPTION

FIG. 1 is a top plan view of my multifunction layout tool

with the rule partially retracted into a suitable arrangement to be used as a square, compass, rip gauge or depth gauge;

FIG. 2 is a top plan view of a preferred embodiment of my tool, with measurement indicia, disposed in the same configuration as illustrated in FIG. 1;

FIG. 3 is a front elevational view of my tool;

FIG. 4 is a side elevational view of my tool;

FIG. 5 is a rear elevational view of my;

FIG. 6 is a bottom plan view of my tool tool showing a vial level disposed parallel with the squaring edge of the base;

FIG. 7 is a top plan view of my tool with the rule extended and disposed at a forty-five degree angle;

FIG. 8 is a top plan view of my tool with the rule disposed at an intermediate angle aligned with intermediate angle markings;

FIG. 9 is a top plan view of my tool with the rule disposed at an intermediate angle measured by the protractor-vernier scale; and,

FIG. 10 is a top plan view of my tool with the rule disposed at yet another intermediate angle as measured by the protractor-vernier scale.

1 Claim, 8 Drawing Sheets

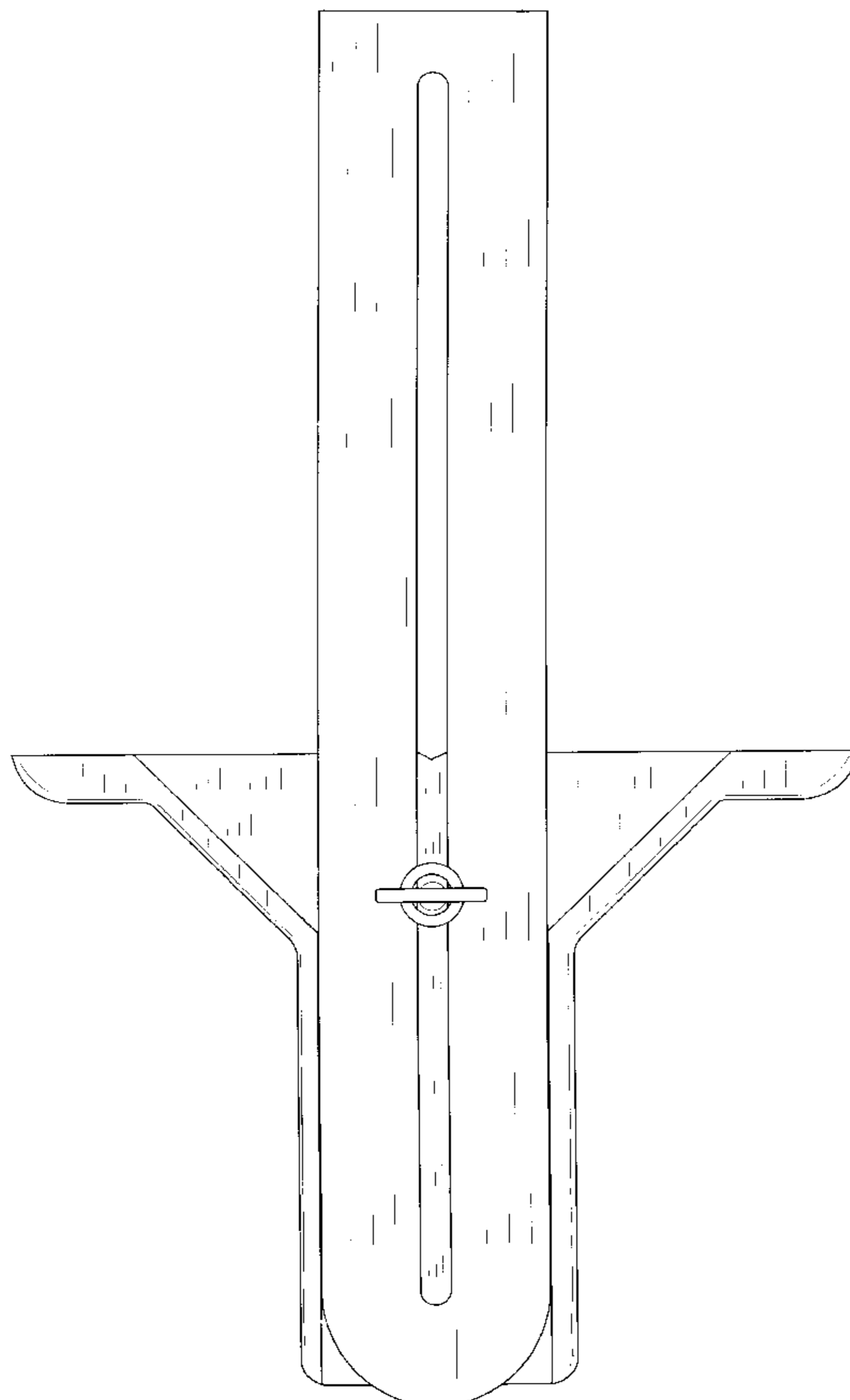


Fig. 1

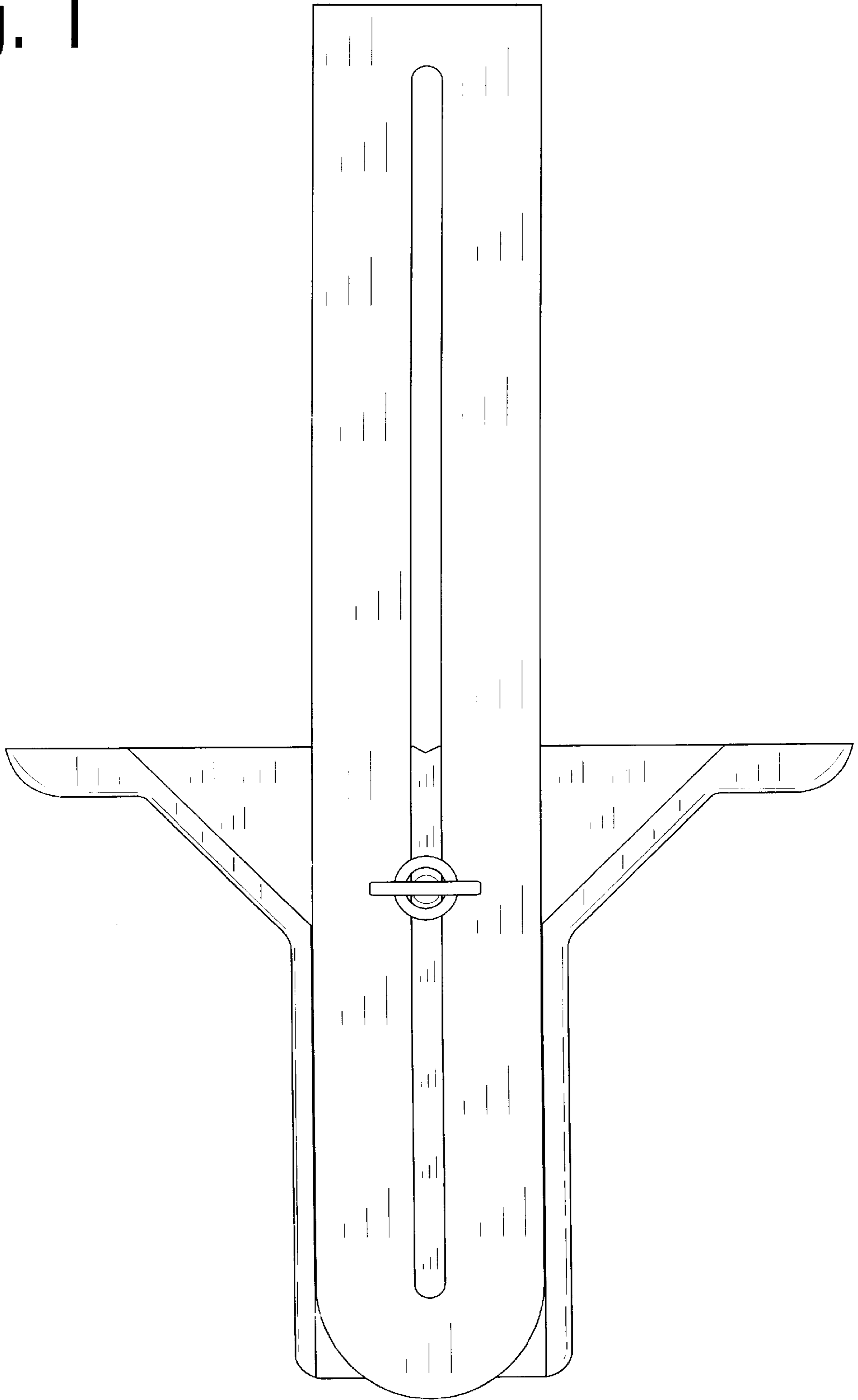


Fig. 2

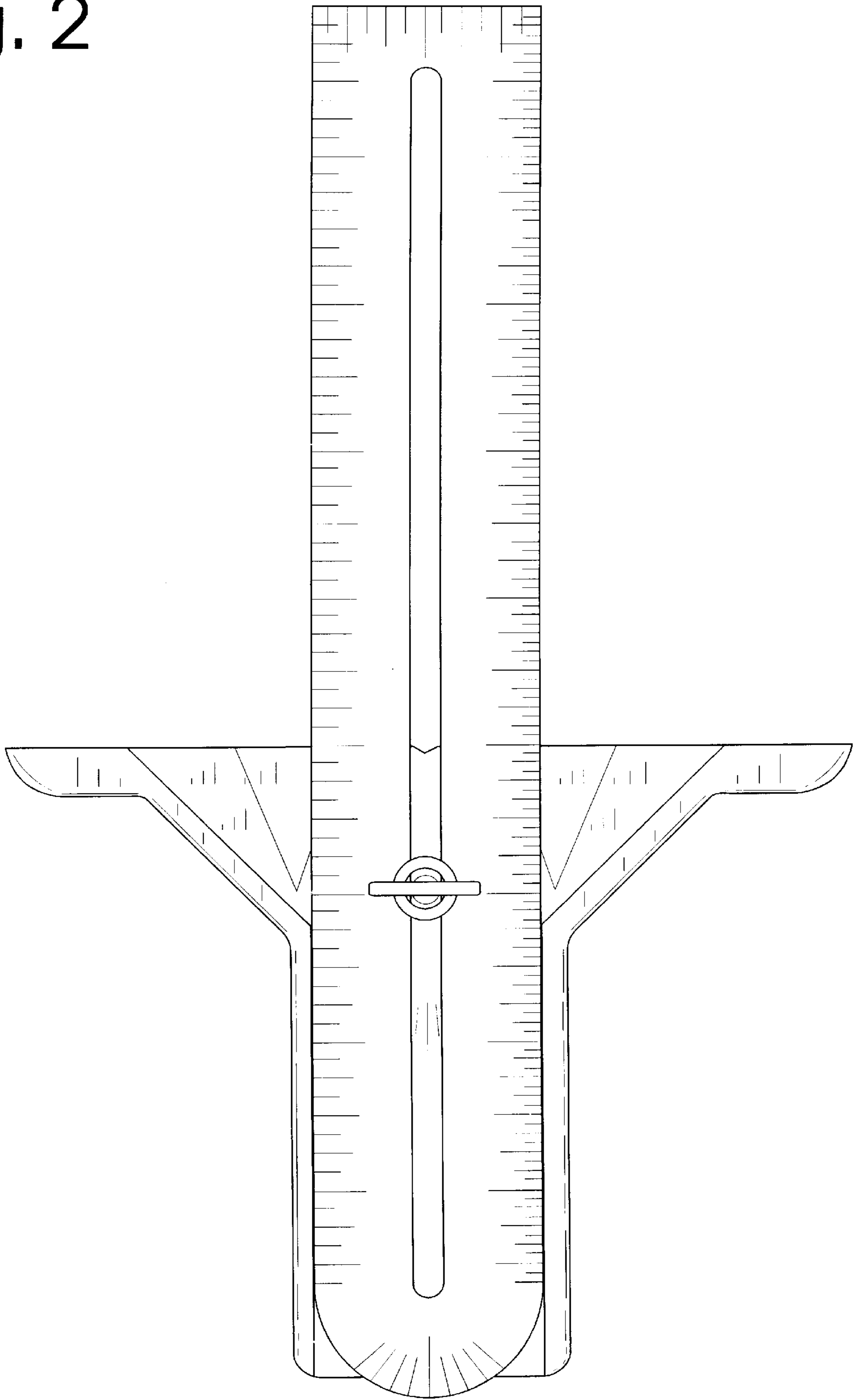


Fig. 3

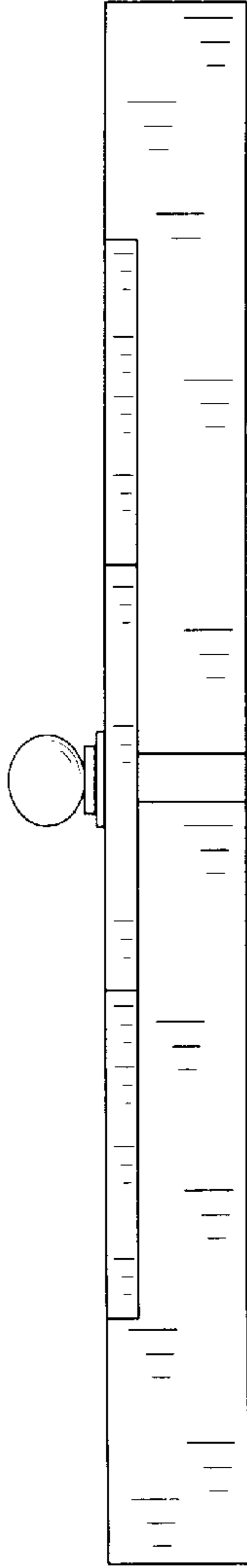


Fig. 4

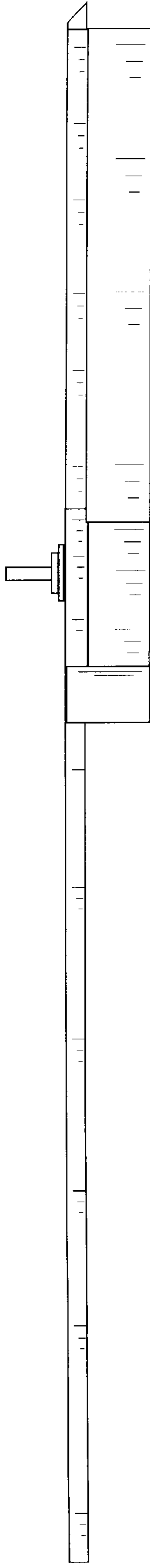


Fig. 5

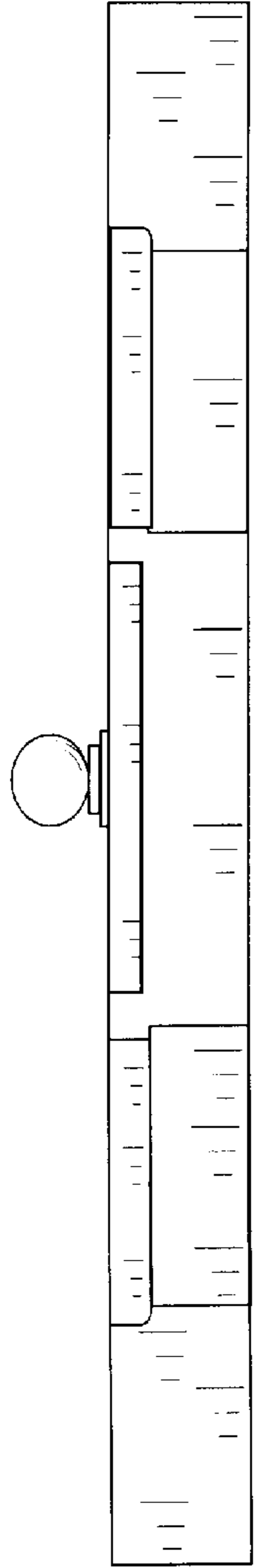


Fig. 6

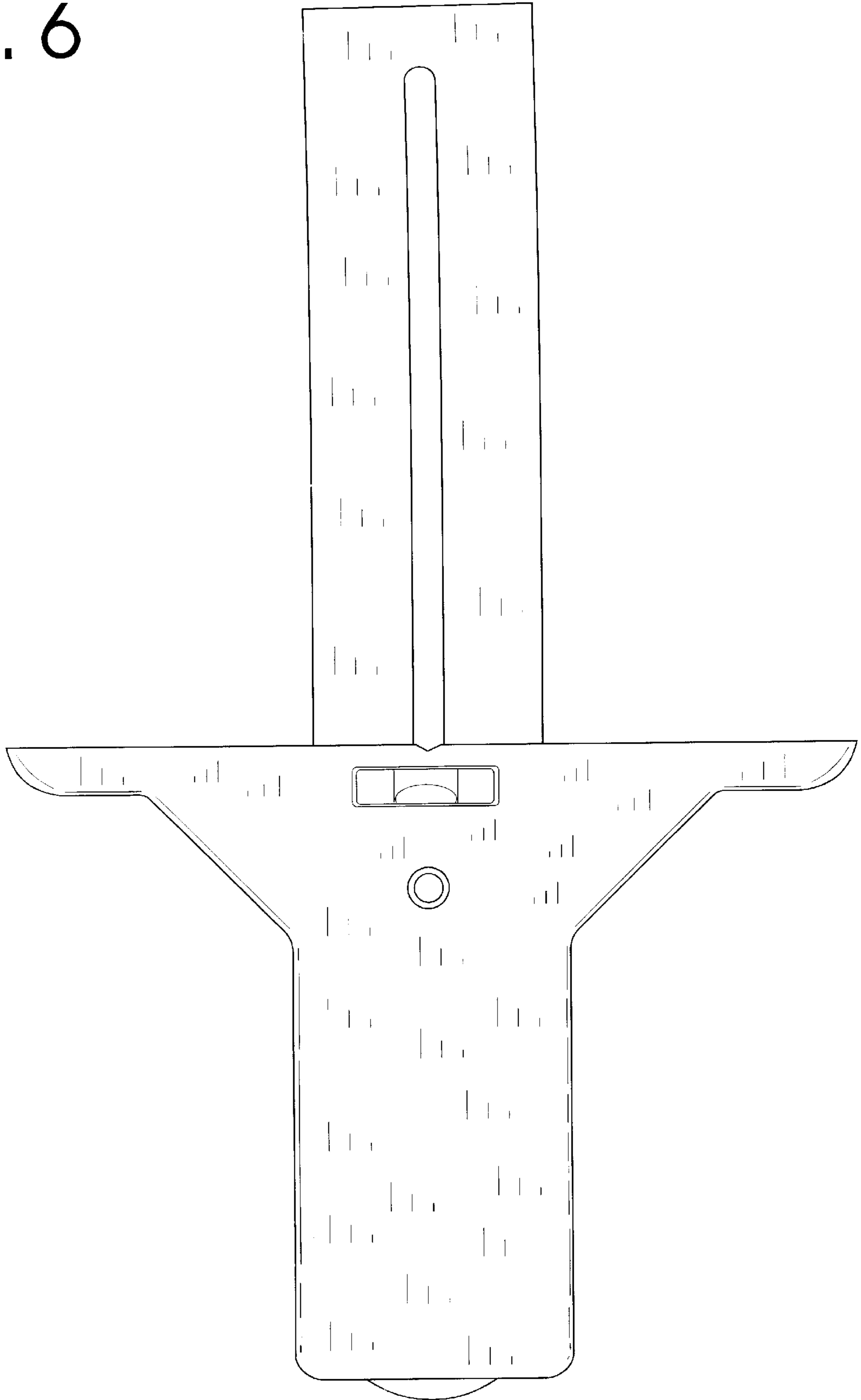


Fig. 7

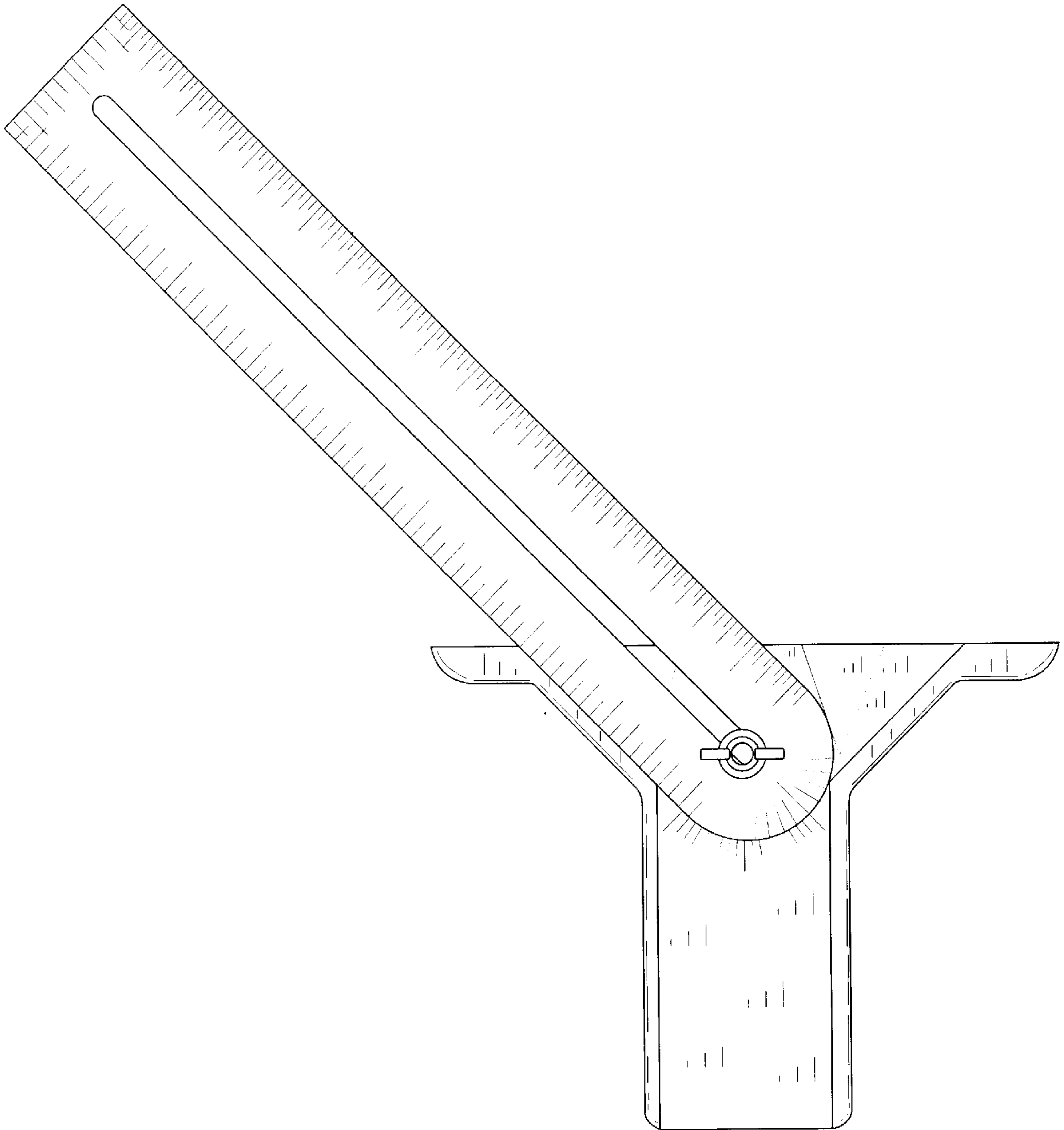


Fig. 8

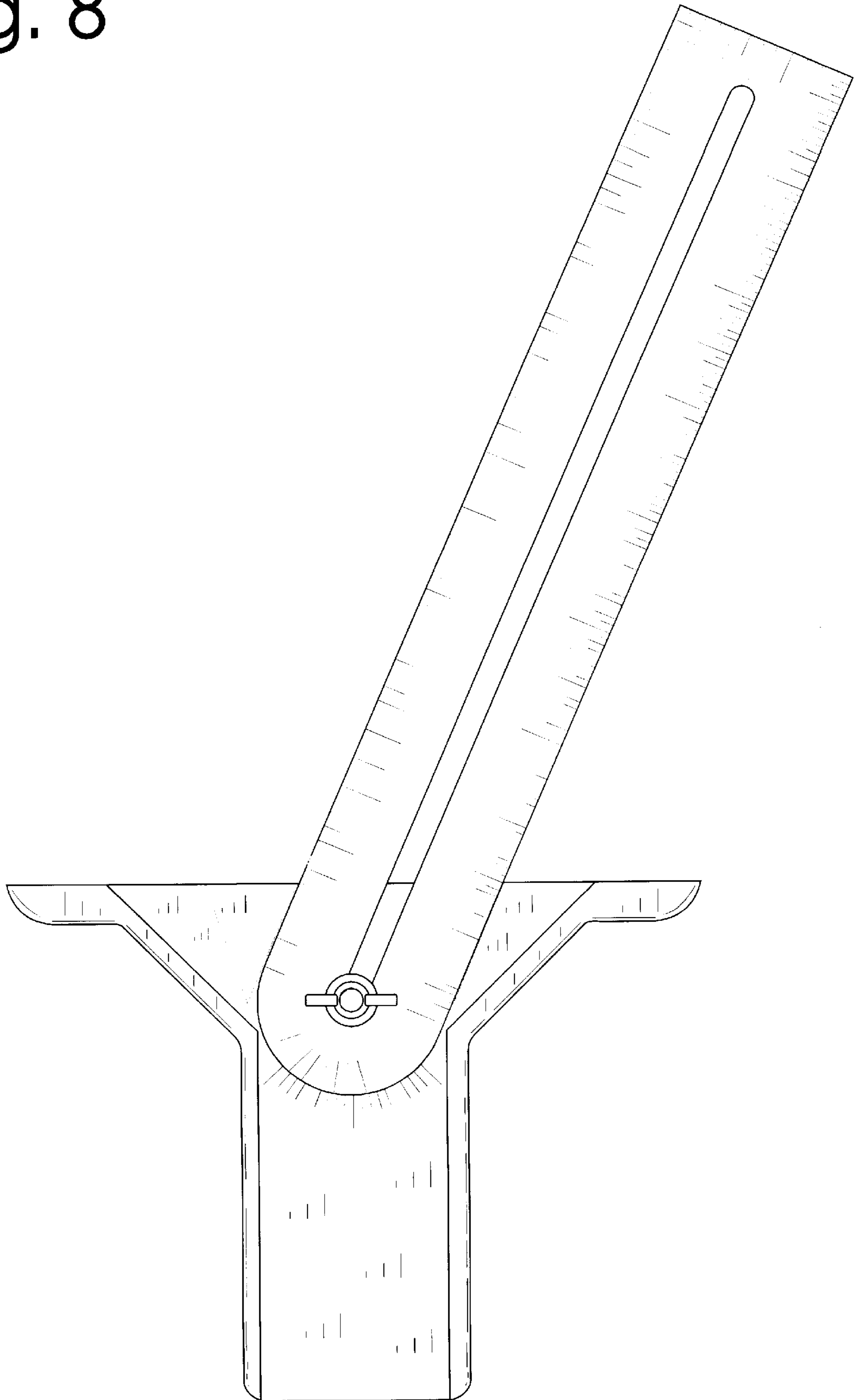


Fig. 9

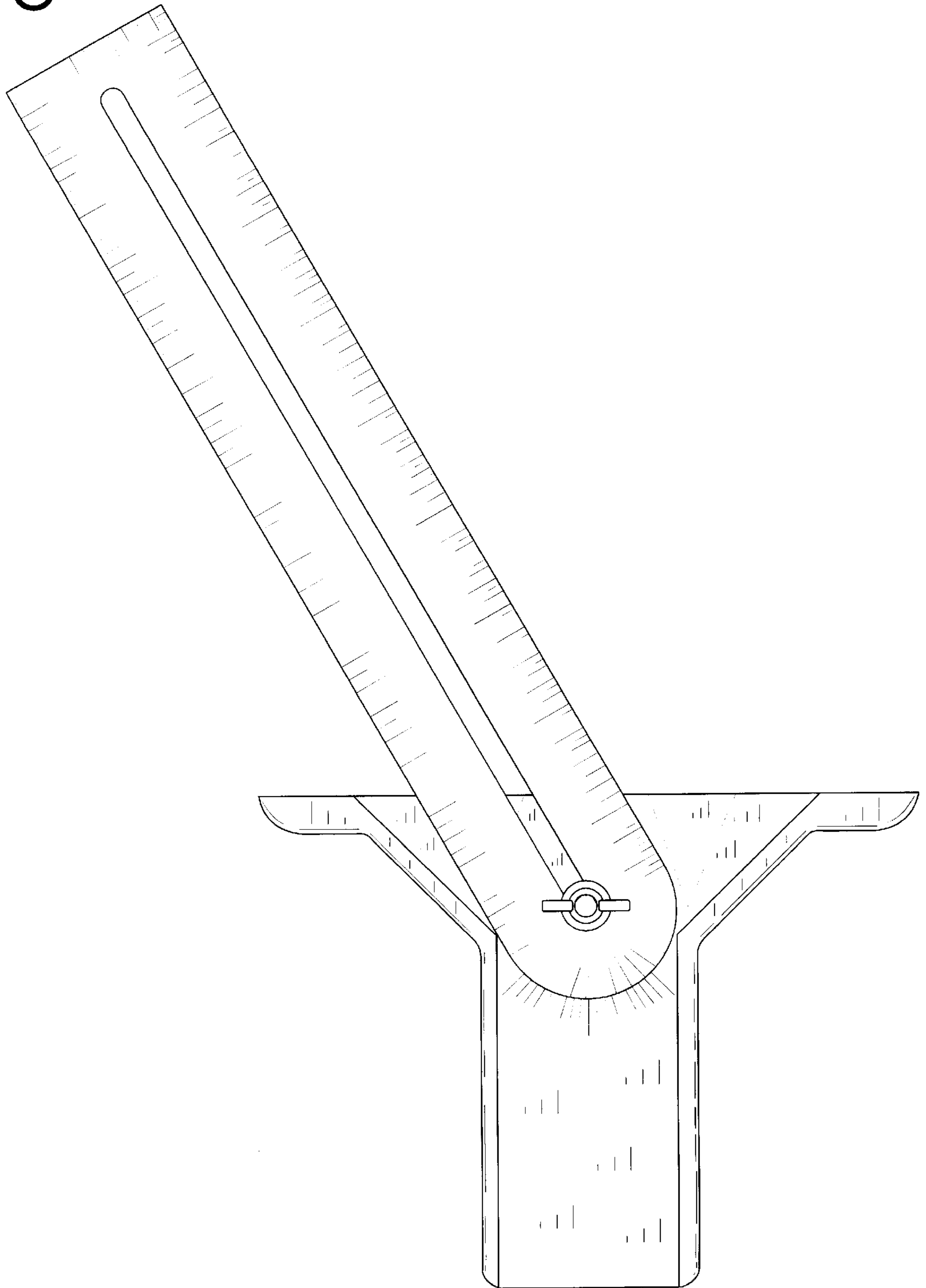


Fig. 10

