



US00D400439S

United States Patent [19]
Dawson

[11] **Patent Number: Des. 400,439**
[45] **Date of Patent: **Nov. 3, 1998**

[54] **SEALING CLOSURE FOR A BAG**

[76] Inventor: **Cynthia R Dawson**, 22813 Lakeview Dr., Apt. F-413, Mountlake Terrace, Wash. 98043

[**] Term: **14 Years**

[21] Appl. No.: **73,294**

[22] Filed: **Jul. 21, 1997**

[51] **LOC (6) Cl.** **09-07**

[52] **U.S. Cl.** **D9/434**

[58] **Field of Search** D9/434; 220/243-245, 220/324; 383/63, 68, 69, 78

[56] **References Cited**

U.S. PATENT DOCUMENTS

- D. 331,364 12/1992 Barker et al. D9/434
- D. 375,045 10/1996 Weber et al. D9/434 X
- 2,601,568 6/1952 Sussenbach et al. 383/69

Primary Examiner—James Gandy
Assistant Examiner—Cathron B. Matta

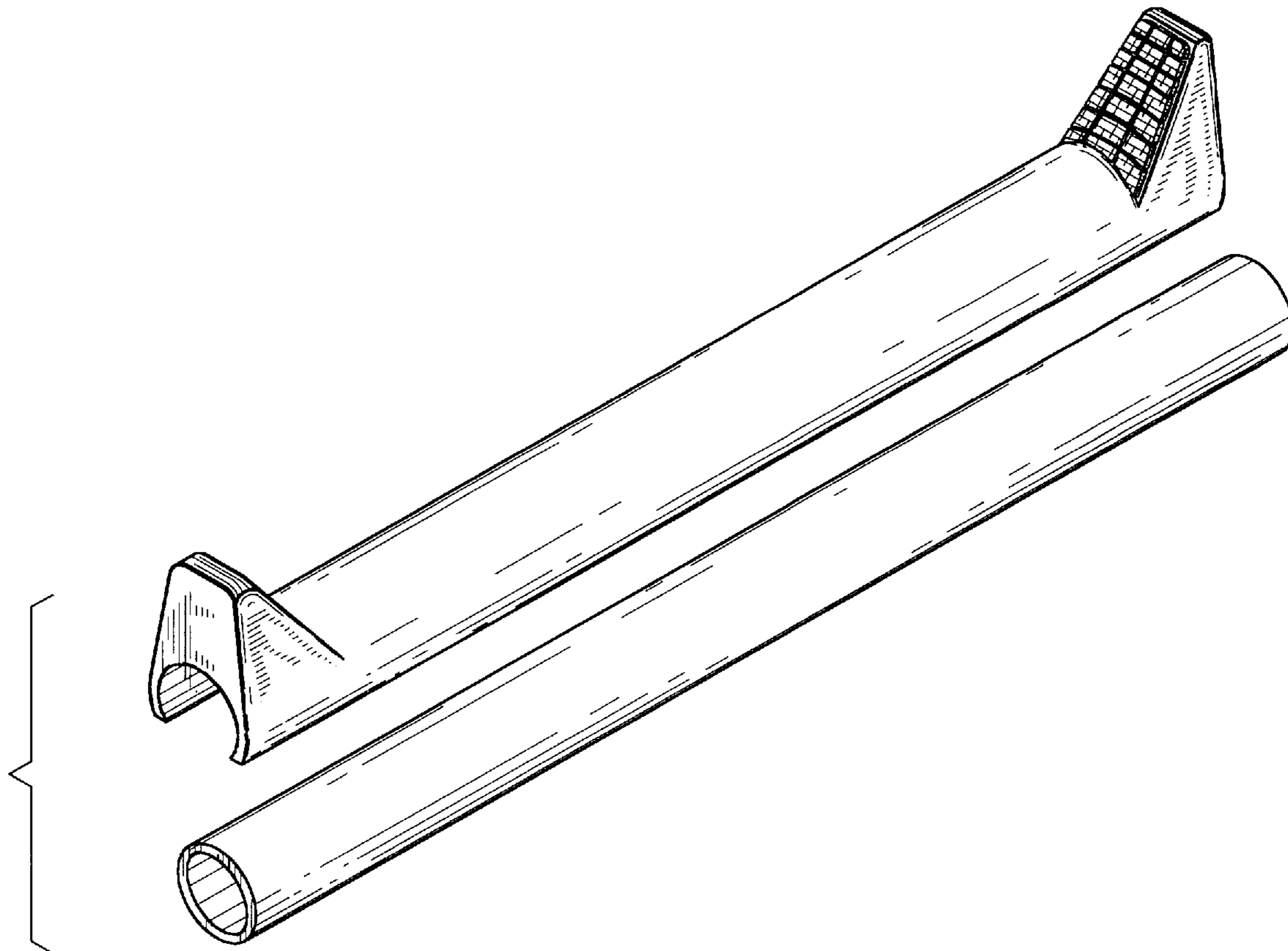
[57] **CLAIM**

The ornamental design for a sealing closure for a bag, as shown.

DESCRIPTION

FIG. 1 is a front plan view of the sealing closure for a bag of the present invention;
 FIG. 2 is a back plan view of the sealing closure for a bag of FIG. 1;
 FIG. 3 is a left side plan view of the sealing closure for a bag of FIG. 1;
 FIG. 4 is a sectional view taken from line 4—4 of the sealing closure for a bag of FIG. 1;
 FIG. 5 is a top plan view of the sealing closure for a bag of FIG. 1;
 FIG. 6 is a bottom plan view of the sealing closure for a bag of FIG. 1; and,
 FIG. 7 is a perspective view of the sealing closure for a bag of FIG. 1.

1 Claim, 3 Drawing Sheets



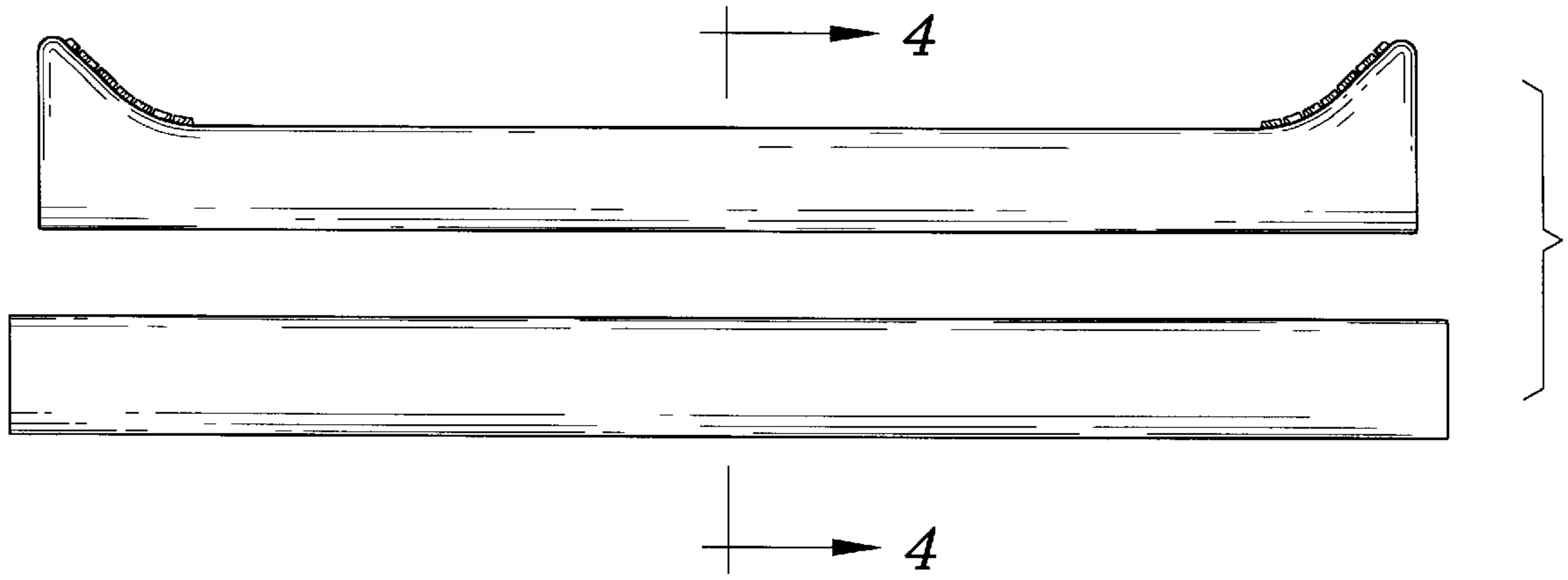


Fig. 1

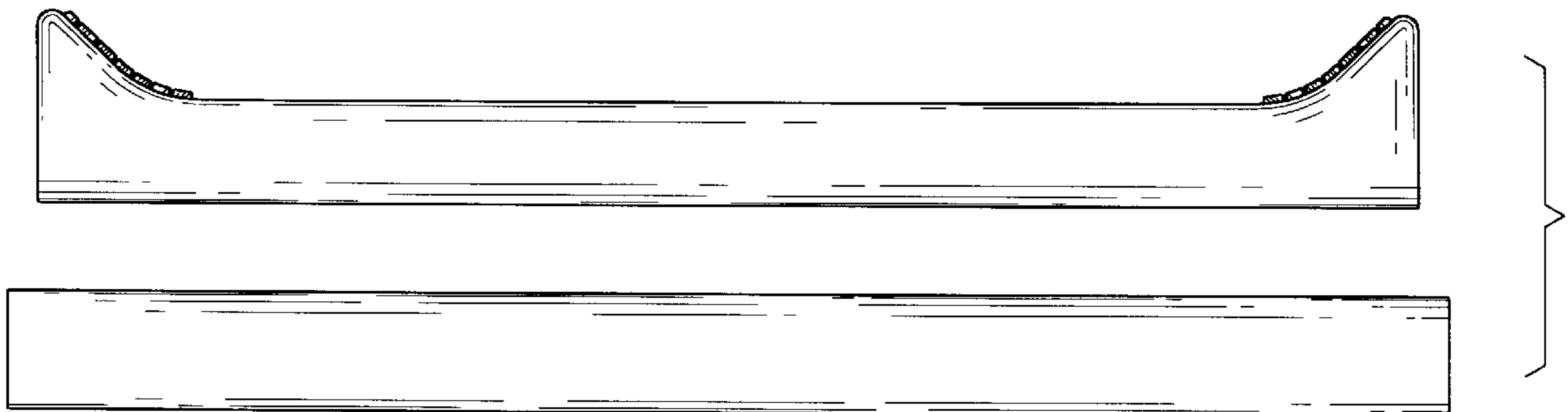


Fig. 2

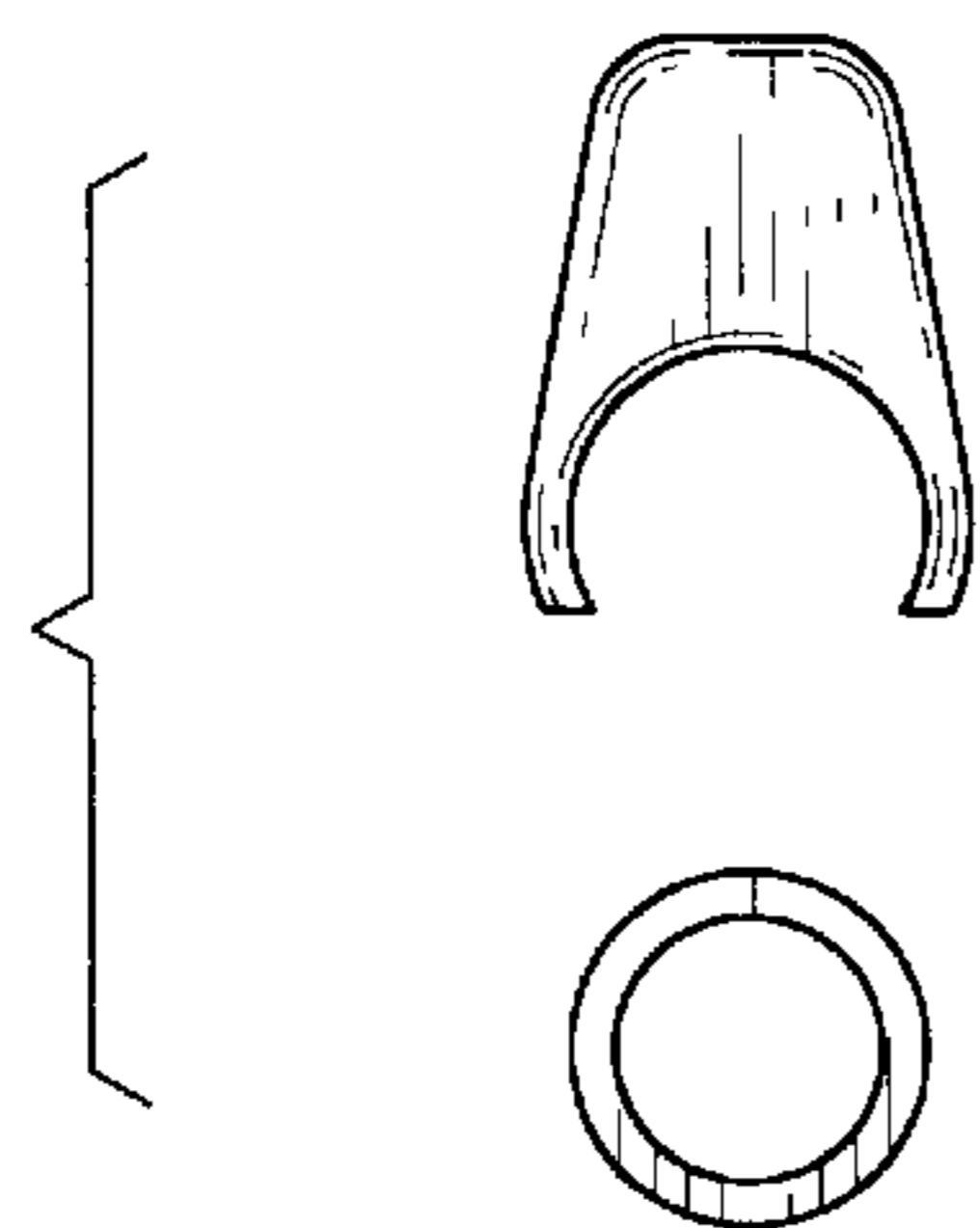


Fig. 3

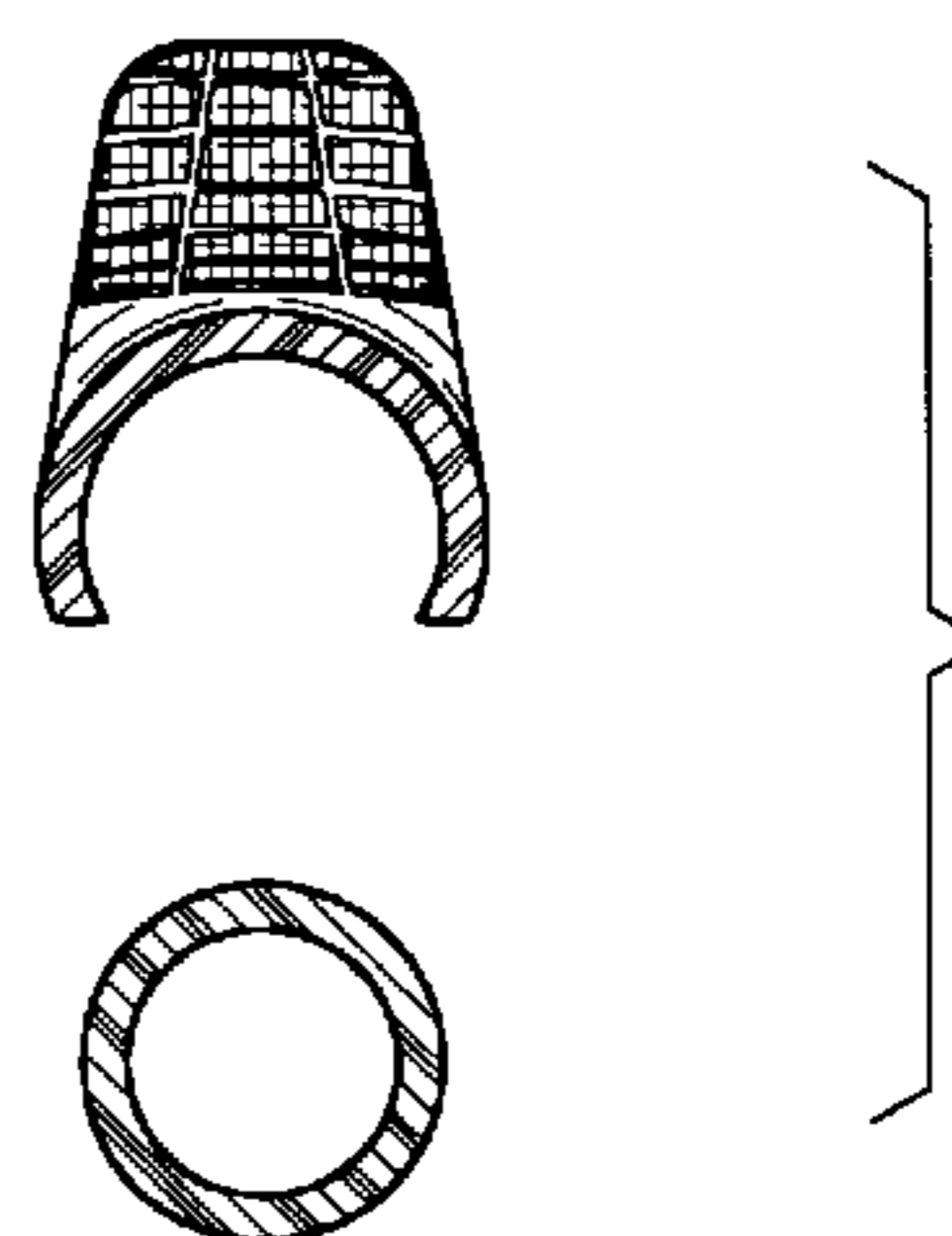


Fig. 4

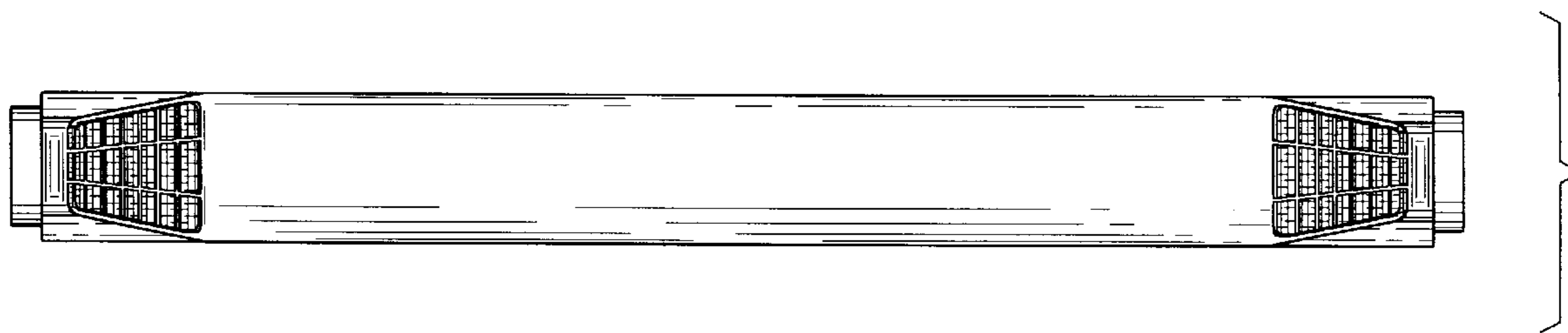


Fig. 5

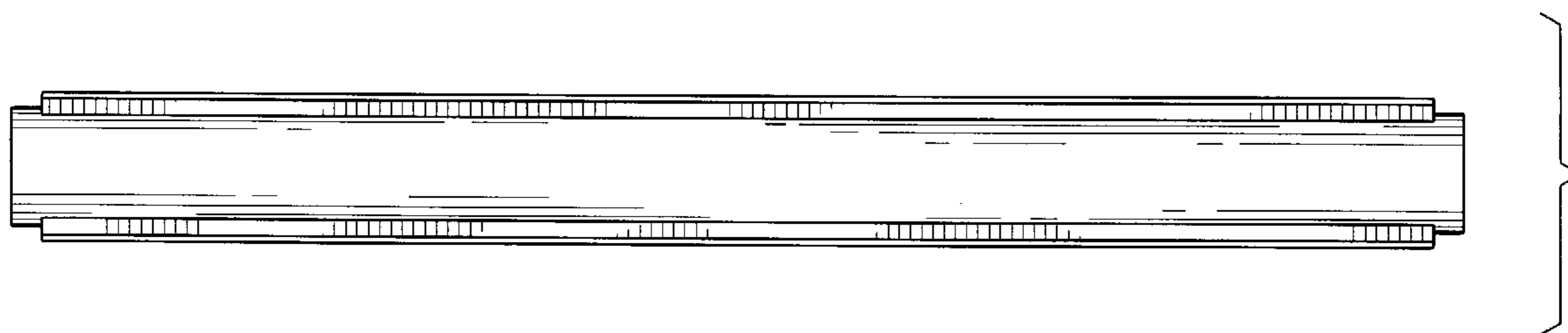


Fig. 6

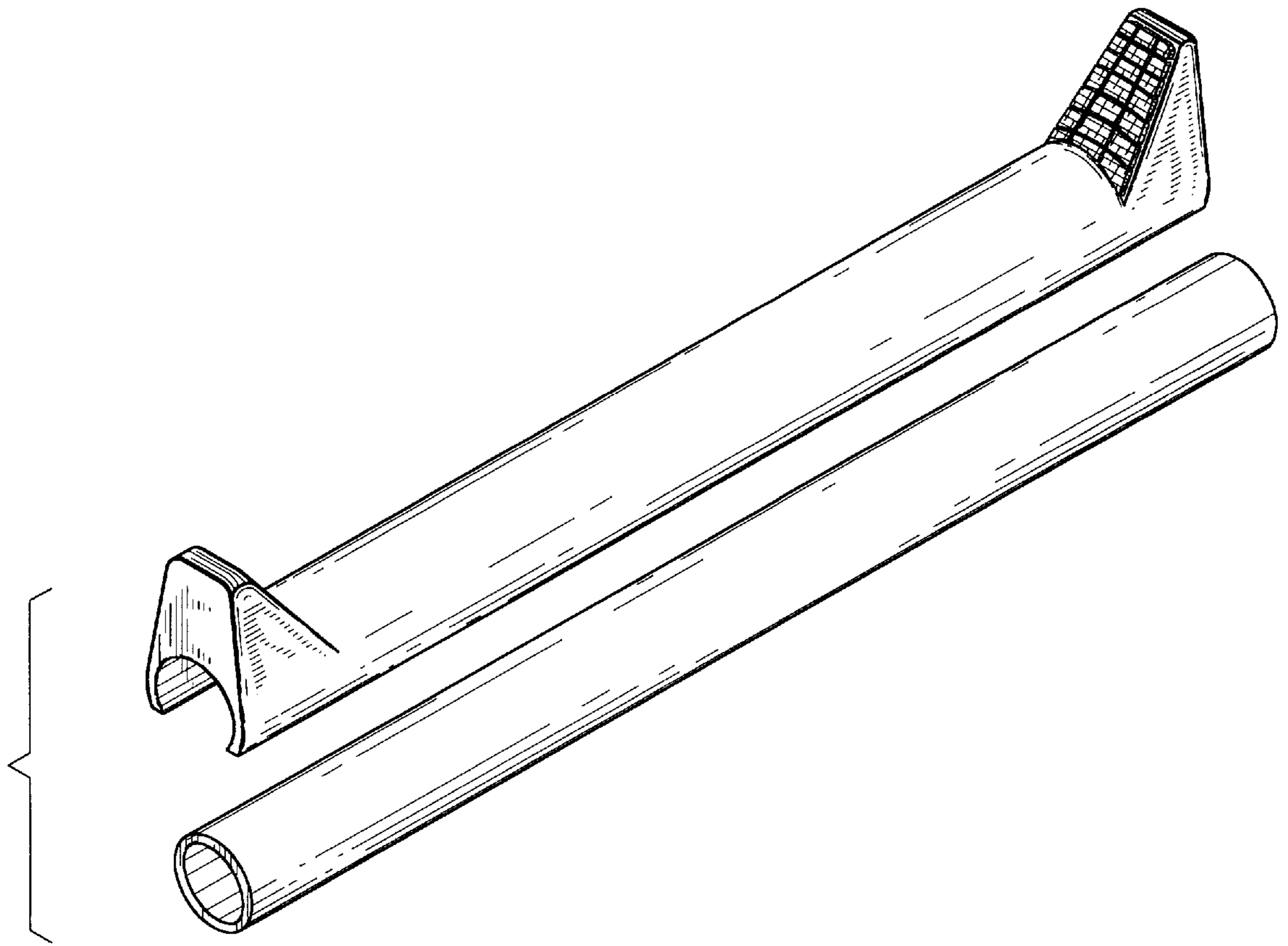


Fig. 7