



US00D400438S

**United States Patent** [19]  
**Correll**

[11] **Patent Number: Des. 400,438**

[45] **Date of Patent: \*\*Nov. 3, 1998**

[54] **COVER PANEL OF A BOX BLANK**

*Assistant Examiner—Nanda Bondade*

[76] Inventor: **John D. Correll**, 8459 Holly Dr.,  
Canton, Mich. 48187

[57] **CLAIM**

[\*\*] Term: **14 Years**

The ornamental design for a cover panel of a box blank, as shown and described.

[21] Appl. No.: **81,162**

**DESCRIPTION**

[22] Filed: **Dec. 3, 1997**

[51] **LOC (6) Cl. .... 09-03**

[52] **U.S. Cl. .... D9/433**

[58] **Field of Search .... D9/433, 430; 229/108,  
229/906**

FIG. 1 is a perspective view of a cover panel of a box blank showing my new design, the broken line showing of the adjacent appended components is for illustrative purposes only and forms no part of the claimed design;

[56] **References Cited**

**U.S. PATENT DOCUMENTS**

- D. 322,758 12/1991 Haire ..... D9/430
- D. 329,806 9/1992 Kindt ..... D9/430
- 571,512 11/1896 Davidson ..... 229/108
- 4,607,785 8/1986 Croley ..... 229/108 X

FIG. 2 is a top view of the cover panel, the bottom view being identical;

FIG. 3 is a front elevation view of the cover panel;

FIG. 4 is a left side view elevation view of the cover panel;

FIG. 5 is a right side view elevation view of the cover panel; and,

**OTHER PUBLICATIONS**

FIG. 6 is a rear elevation view of the cover panel.

Drawing 1: A Drawing of a Cover Panel of a Prior Art Box Blank. Undated. Drawer: John Correll, Dec. 1, 1997.

*Primary Examiner—Ted Shooman*

**1 Claim, 2 Drawing Sheets**

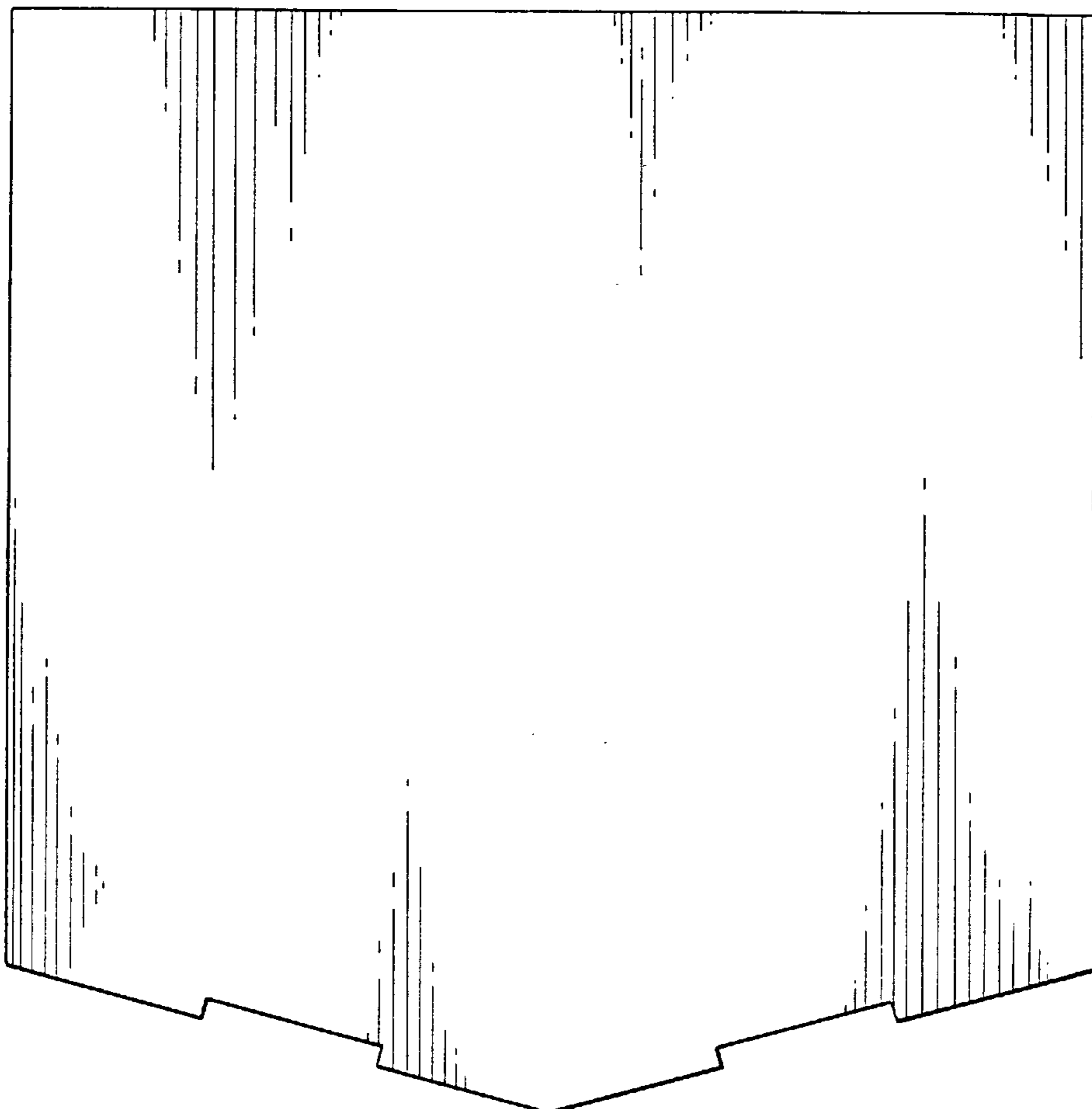
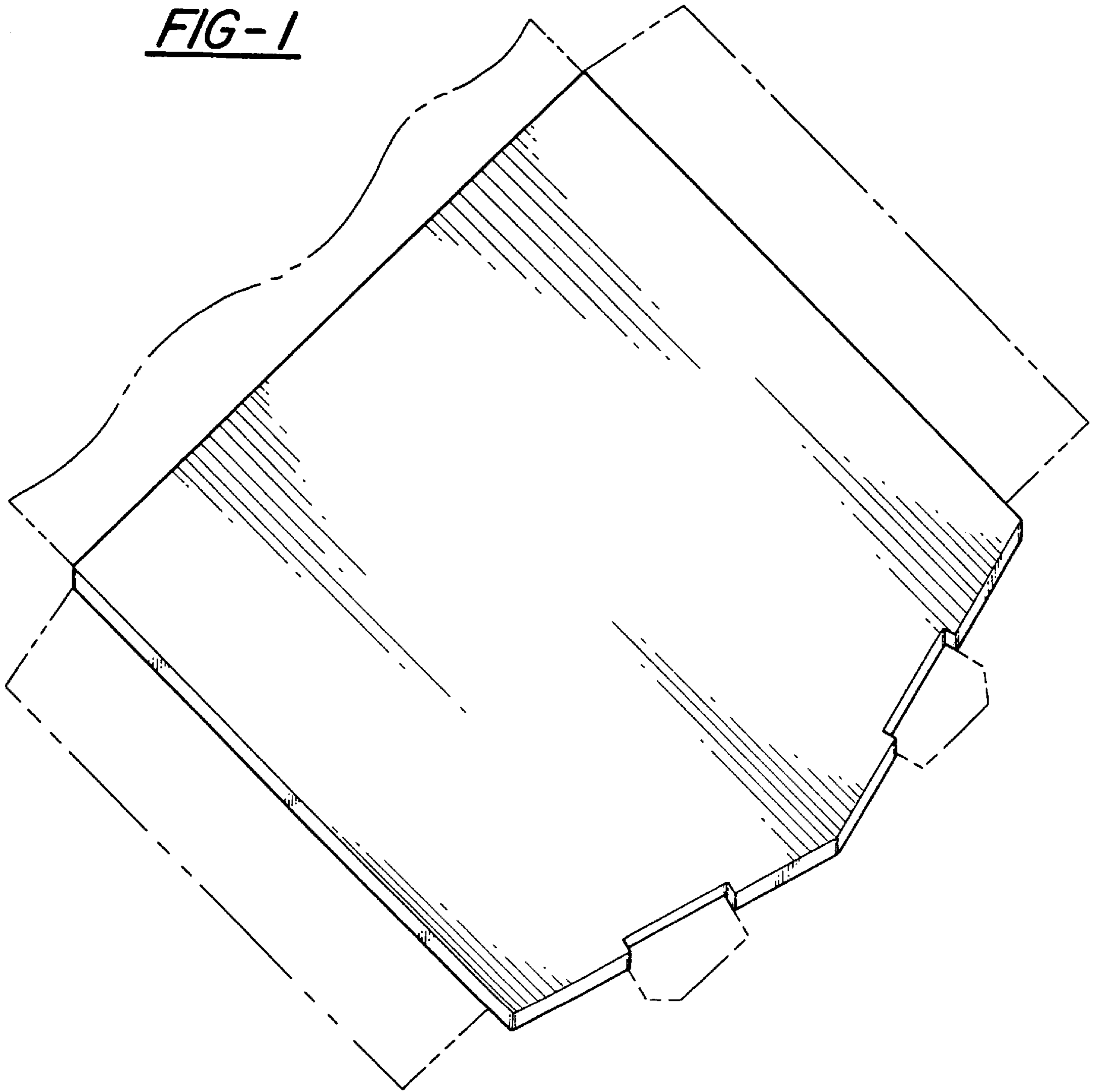


FIG-1



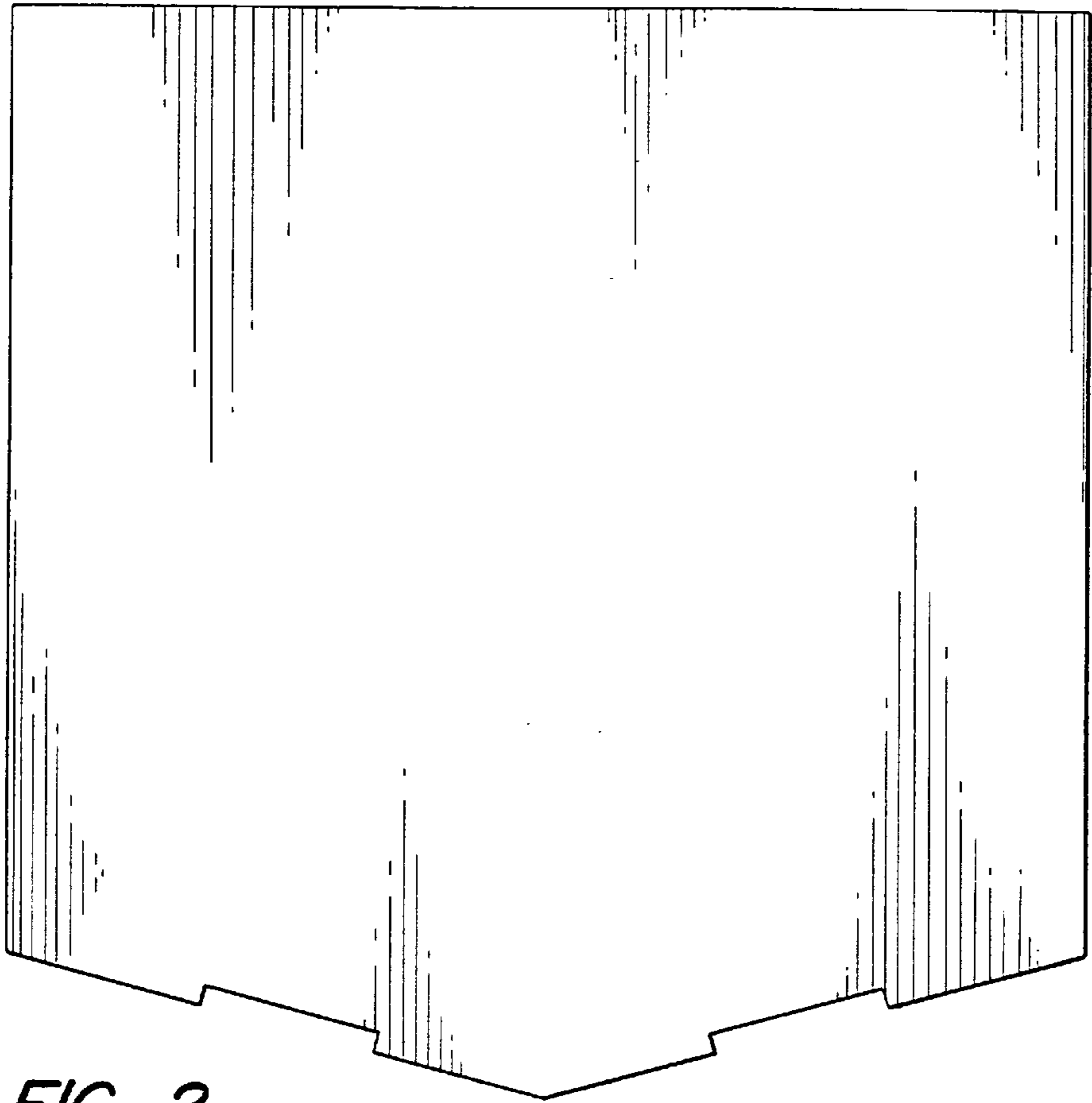


FIG-2

FIG-3

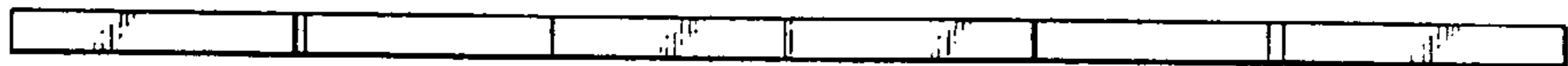


FIG-4

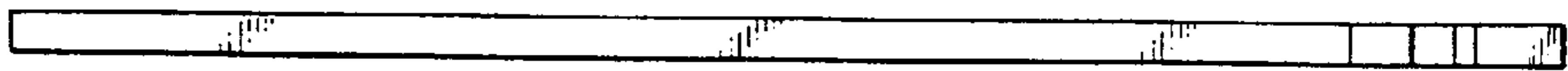


FIG-5

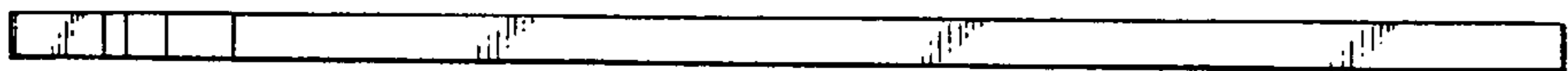


FIG-6

