



US00D400436S

United States Patent [19] Stein

[11] **Patent Number:** **Des. 400,436**

[45] **Date of Patent:** ****Nov. 3, 1998**

[54] **CONTAINER**

[75] **Inventor:** **Paul Von Stein**, Moon Township, Pa.

[73] **Assignee:** **SmithKline Beecham Corporation**, Philadelphia, Pa.

[**] **Term:** **14 Years**

[21] **Appl. No.:** **73,315**

[22] **Filed:** **Jul. 3, 1997**

[51] **LOC (6) Cl.** **09-07**

[52] **U.S. Cl.** **D9/415**

[58] **Field of Search** D9/415, 418, 341,
D9/337; 206/461-471, 495, 349, 806

[56] **References Cited**

U.S. PATENT DOCUMENTS

- D. 309,430 7/1990 Cramer D9/415
- D. 339,984 10/1993 Cohen D9/415
- D. 387,980 12/1997 Snitzer et al. D9/415

- 4,257,522 3/1981 Thornberg 206/806 X
- 4,347,930 9/1982 Herrin 206/806 X
- 5,279,420 1/1994 Rodgers 206/461 X
- 5,484,056 1/1996 Wood 206/461 X

Primary Examiner—Prabhakar G. Deshmukh
Attorney, Agent, or Firm—Nora Stein-Fernandez; Janice E. Williams; Edward T. Lentz

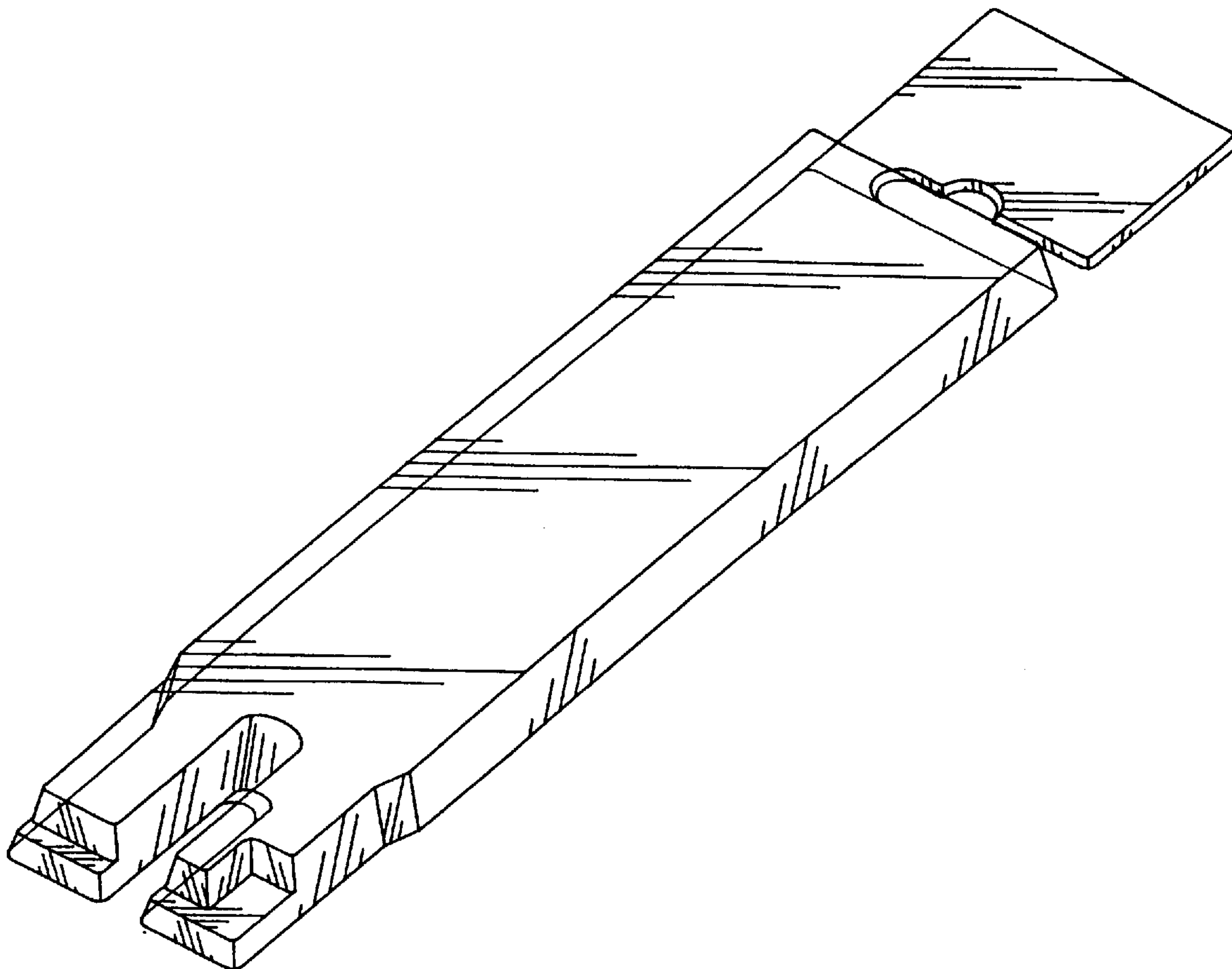
[57] **CLAIM**

The ornamental design for a container, as shown and described.

DESCRIPTION

FIG. 1 is a front view of the container;
FIG. 2 is a left side view of the container;
FIG. 3 is a right side view of the container;
FIG. 4 is a top view of the container;
FIG. 5 is a bottom view of the container;
FIG. 6 is a back view of the container; and,
FIG. 7 is a perspective view of the container.

1 Claim, 4 Drawing Sheets



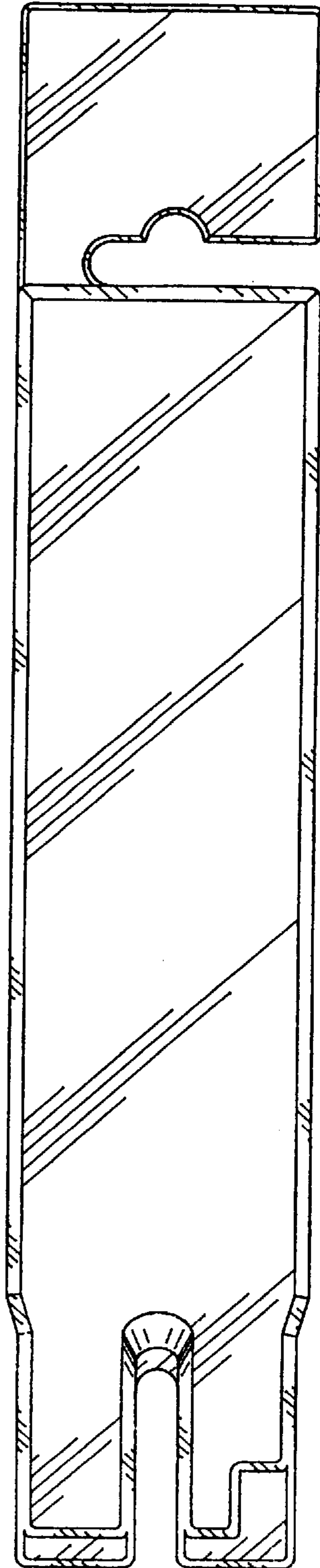


FIG. 1

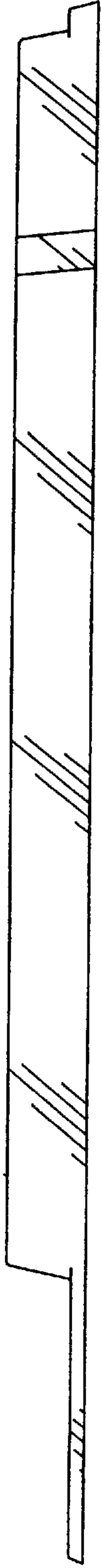


FIG. 2

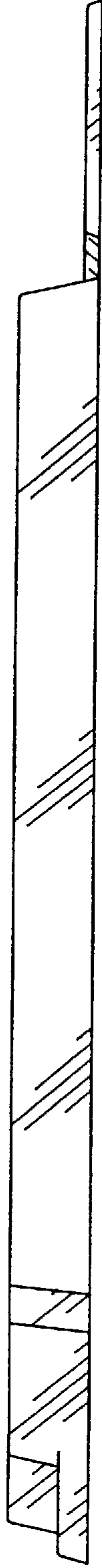


FIG. 3



FIG. 4

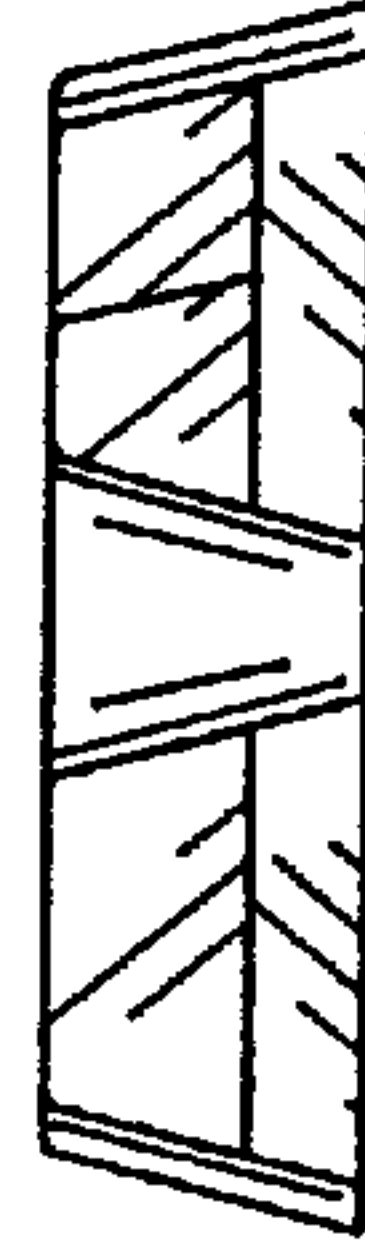


FIG. 5

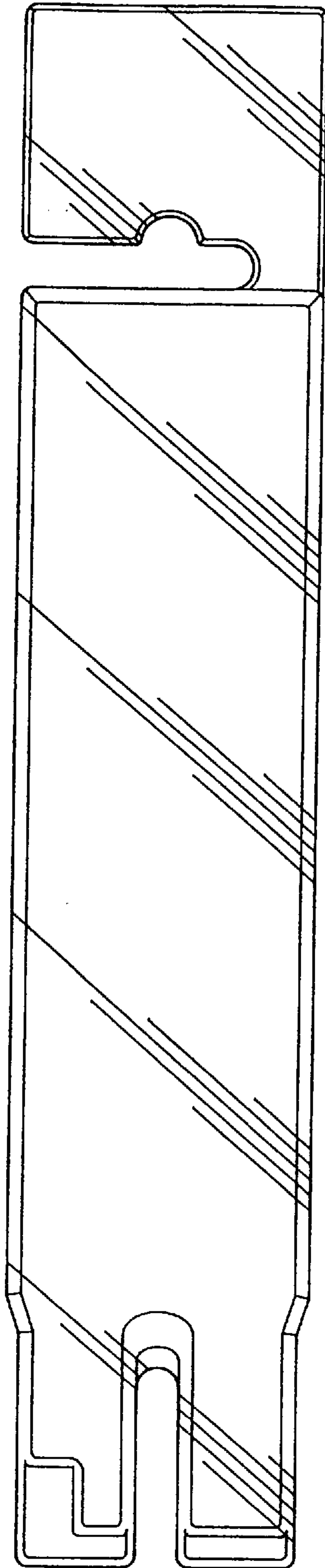


FIG. 6

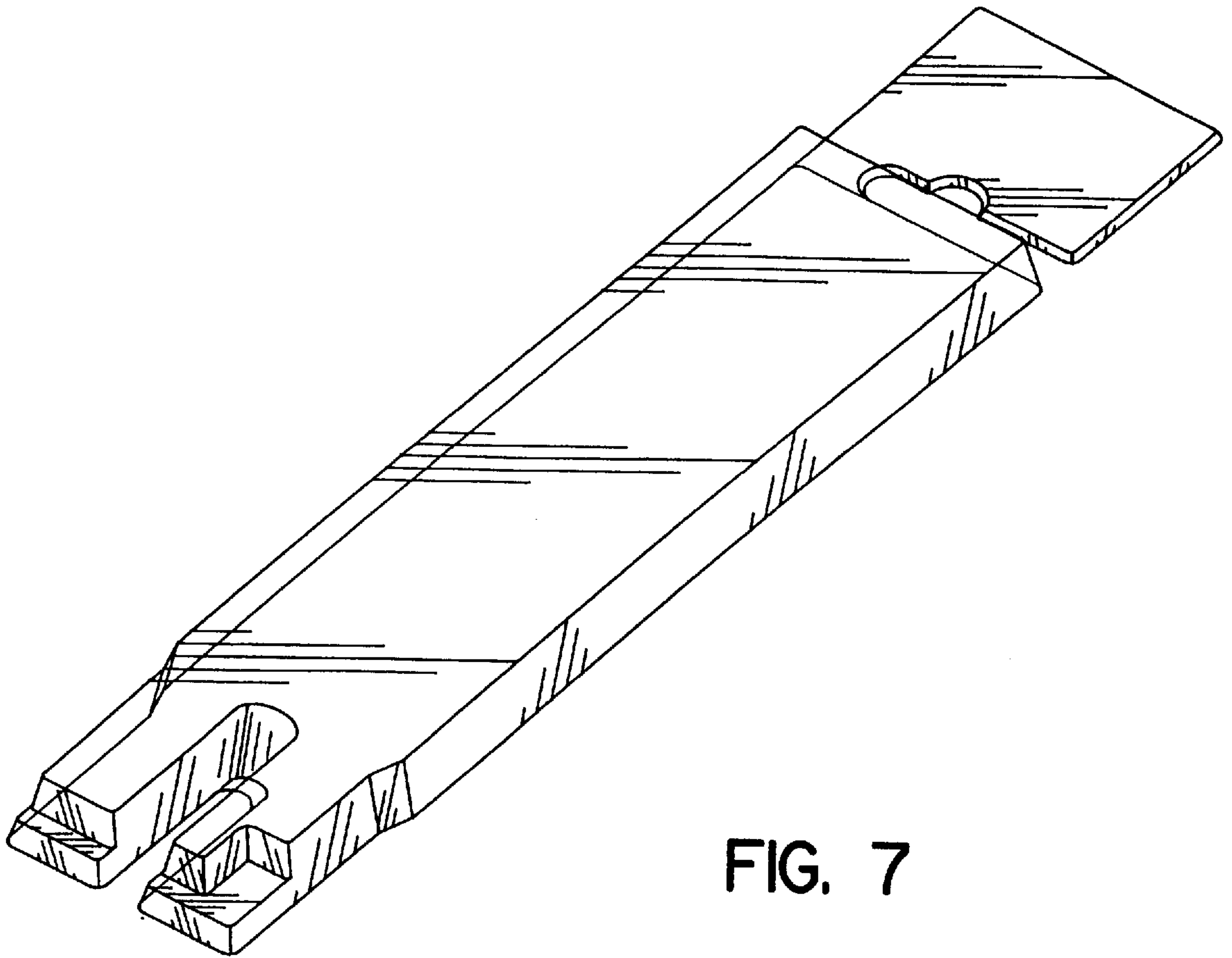


FIG. 7