



US00D400435S

United States Patent [19] Appelbaum

[11] **Patent Number: Des. 400,435**

[45] **Date of Patent: **Nov. 3, 1998**

[54] **PACKAGE FOR WRITING PENS**
[76] Inventor: **Paul Appelbaum**, 21138 Wilmington Ave., No. 130, Carson, Calif. 90810-1248

1,784,952 12/1930 Wolfson 206/214 X
3,420,361 1/1969 Newberg 206/214 X
4,648,505 3/1987 Belmondo 206/21 X
5,067,611 11/1991 Hagmann et al. 206/471 X
5,248,030 9/1993 Tarozzi 206/214 X

[**] Term: **14 Years**

Primary Examiner—Prabhakar G. Deshmukh

[21] Appl. No.: **70,080**

[57] **CLAIM**

[22] Filed: **Apr. 28, 1997**

I claim the ornamental design for a package for writing pens, as shown and described.

[51] **LOC (6) Cl.** **09-07**

DESCRIPTION

[52] **U.S. Cl.** **D9/415; D9/418; D19/35**

[58] **Field of Search** D9/415, 418, 414, D9/337, 457; D19/35, 36, 41, 54, 58; 206/214, 461-471, 495, 806

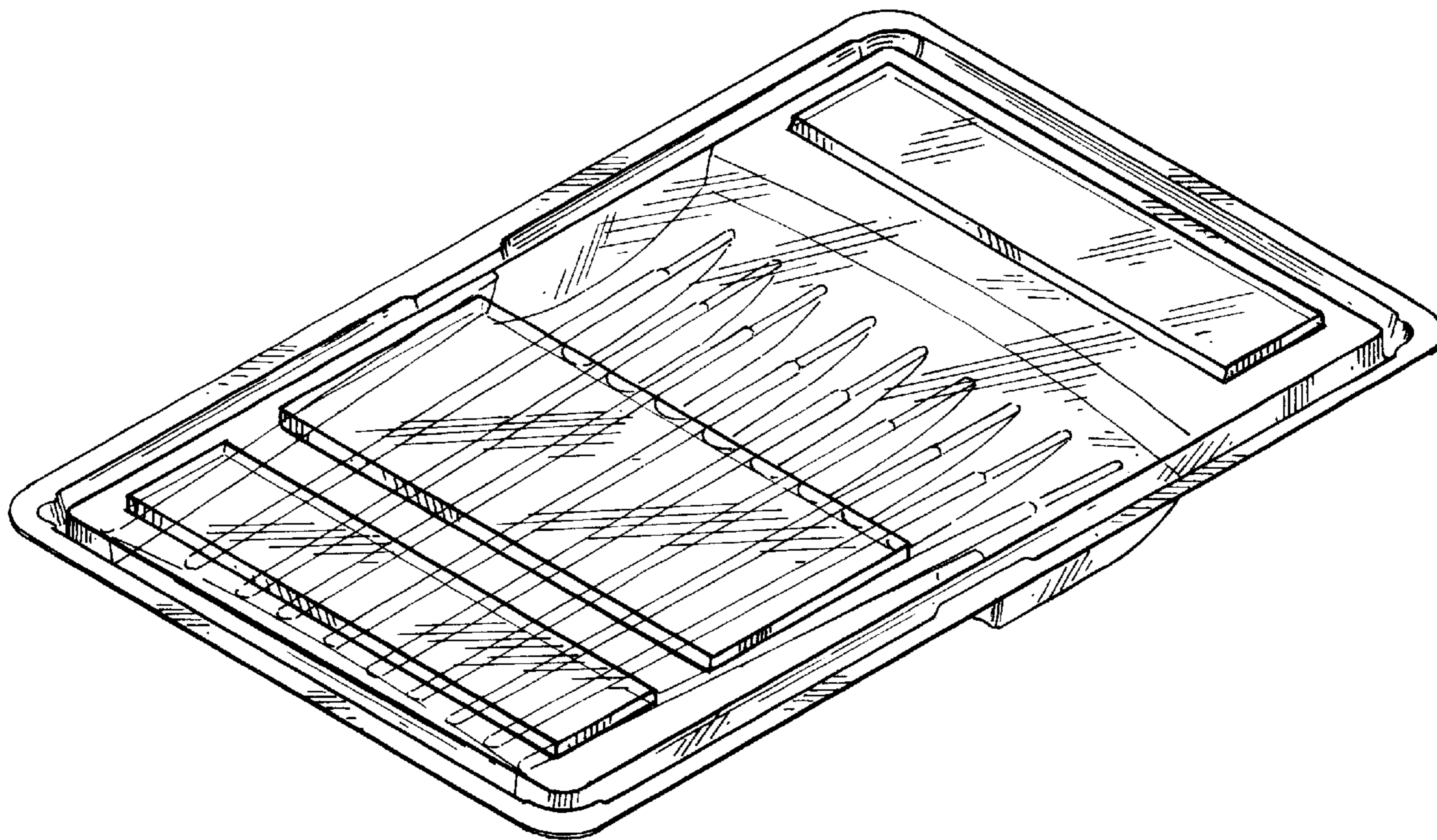
FIG. 1 is an upper front right side perspective view of a package for a writing pen showing my new design; FIG. 2 is a front elevational view thereof; FIG. 3 is a rear elevational view thereof; FIG. 4 is a left side elevational view thereof; FIG. 5 is a top elevational view thereof; and, FIG. 6 is a bottom elevational view thereof.

[56] **References Cited**

U.S. PATENT DOCUMENTS

D. 265,976 8/1982 Astor et al. D9/415
893,608 7/1908 Danne 206/214
1,176,786 3/1916 Stranders 206/21 X

1 Claim, 1 Drawing Sheet



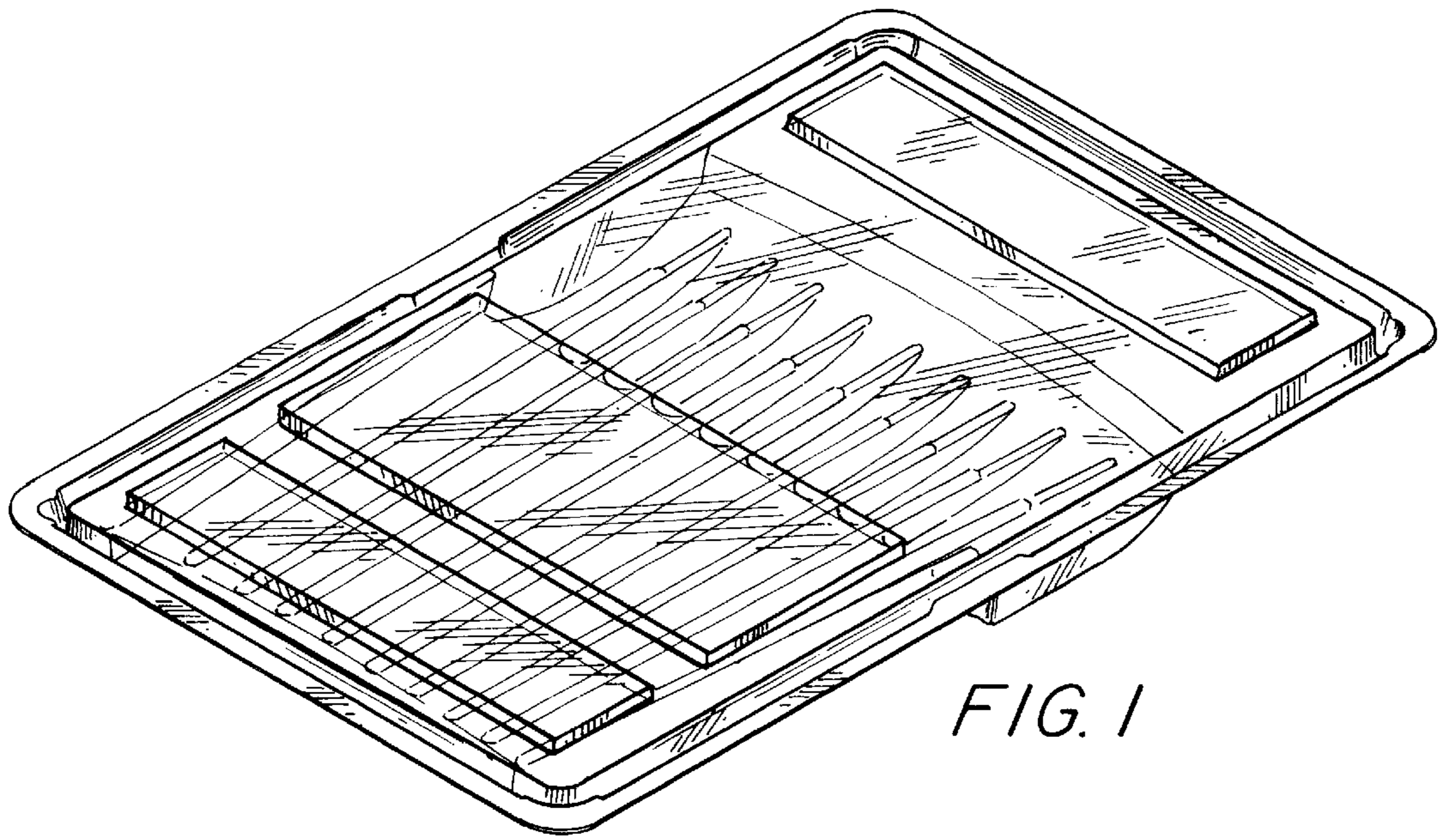


FIG. 1

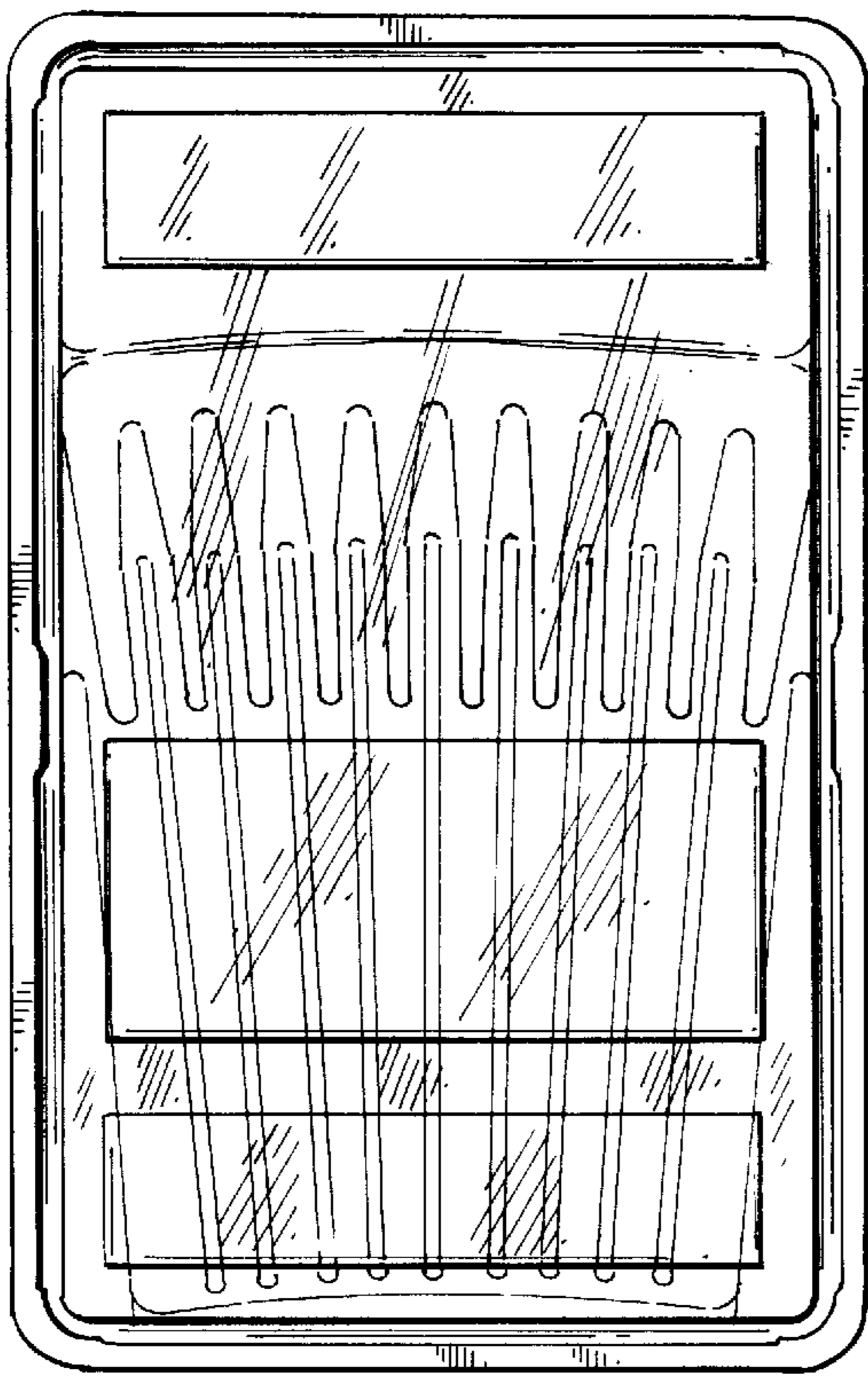


FIG. 2

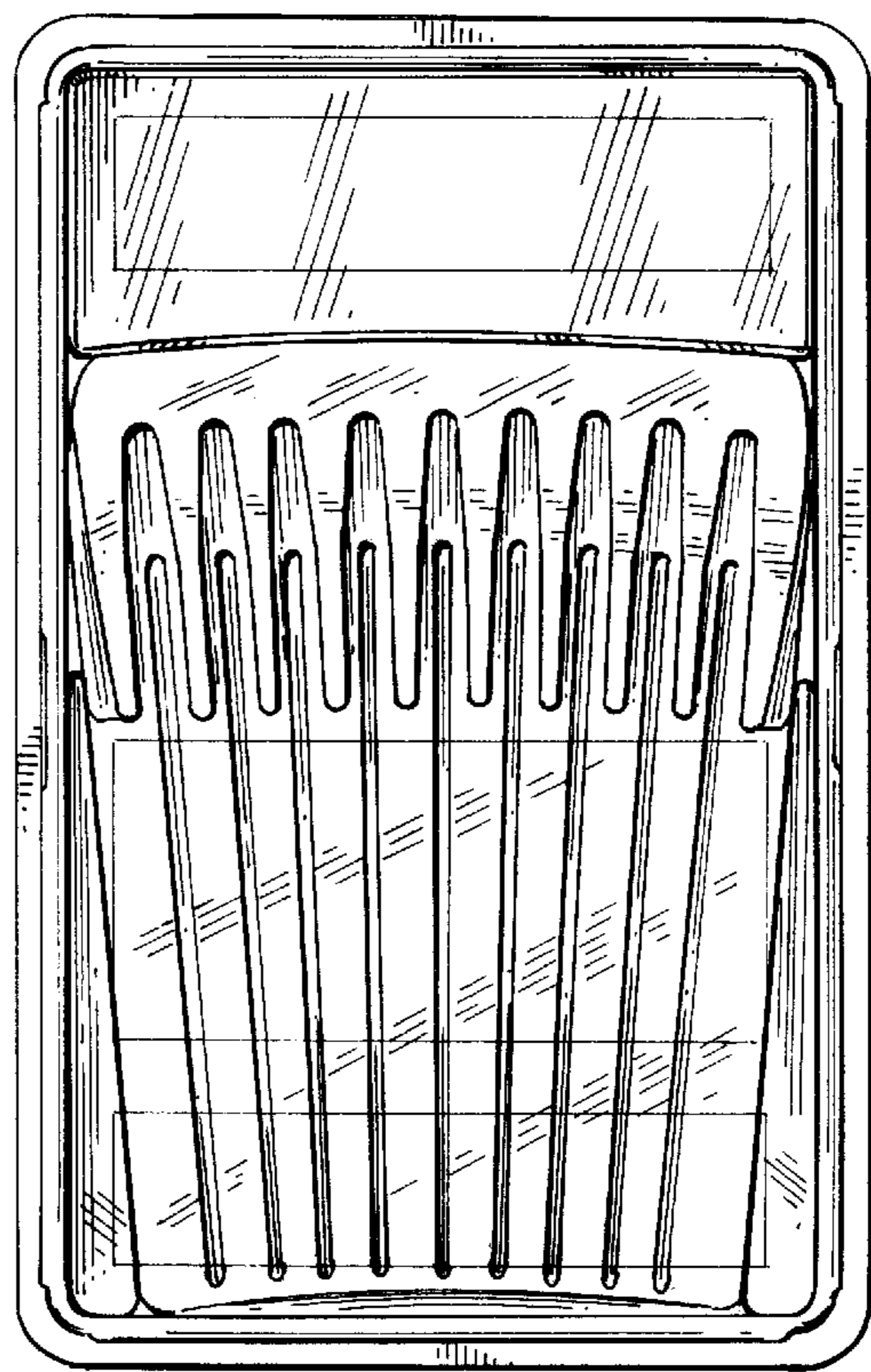


FIG. 3

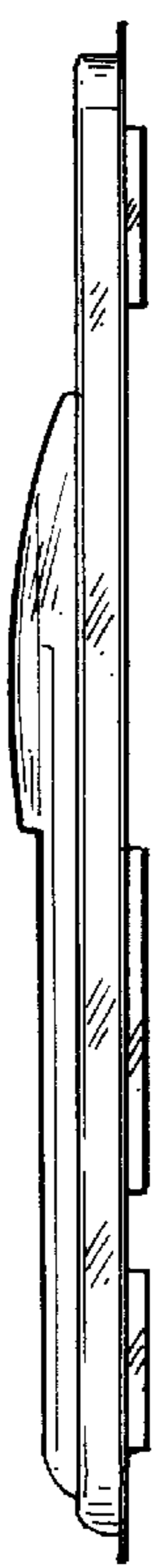


FIG. 4

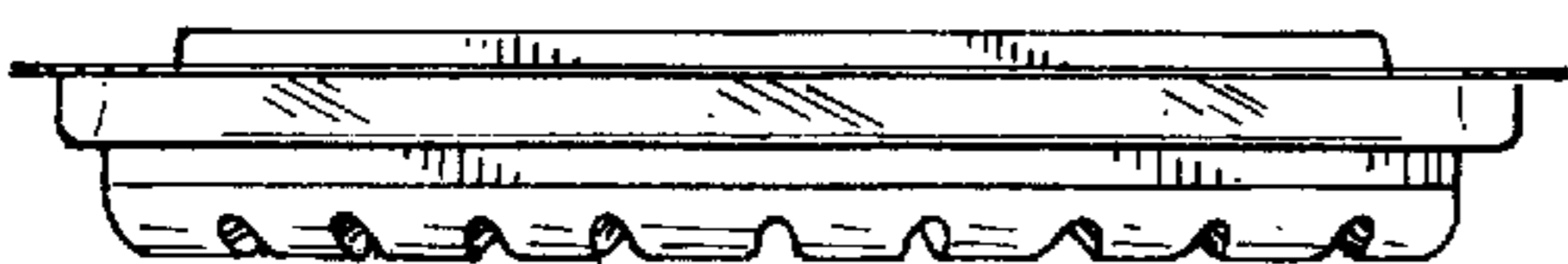


FIG. 6

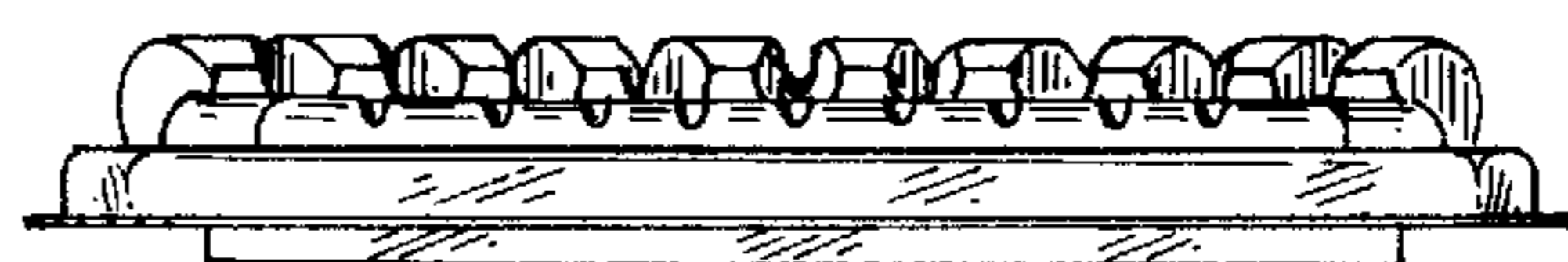


FIG. 5