



US00D400434S

# United States Patent [19]

[11] **Patent Number: Des. 400,434**

**Amos et al.**

[45] **Date of Patent: \*\*Nov. 3, 1998**

## [54] **COMBINED LIQUID MEASURING VESSEL AND BOTTLE**

[75] Inventors: **Edward Michael Amos**, Leawood, Kans.; **Bruce I. Groves**, New York, N.Y.; **Rodney L. Laible**, Bennington, Nebr.

[73] Assignee: **Pfizer Inc.**, New York, N.Y.

[\*\*] Term: **14 Years**

[21] Appl. No.: **38,298**

[22] Filed: **May 2, 1995**

[51] **LOC (6) Cl. .... 09-01**

[52] **U.S. Cl. .... D9/347; D9/337; D9/524; D9/547**

[58] **Field of Search .... D9/341, 347, 337, D9/547, 524, 560, 537-543; 222/158, 159; 215/6, 10**

## [56] **References Cited**

### U.S. PATENT DOCUMENTS

D. 178,423	7/1956	Peters .....	D9/347
D. 207,464	4/1967	Donoghue .....	D9/547
D. 224,203	7/1972	Donoghue .....	D9/503
D. 284,439	7/1986	Ventimiglia et al. ....	D9/70
D. 336,046	6/1993	Donoghue .....	D9/547
D. 349,858	8/1994	Lonczak et al. ....	D9/560
2,969,162	1/1961	Stutske .....	220/2.1
3,012,686	12/1961	Russell .....	215/13
3,080,989	3/1963	Ramsbotham .....	215/12
3,285,461	11/1966	Santelli .....	220/17
3,331,521	7/1967	Paige .....	215/1
3,570,718	3/1971	Otsuka .....	222/88
3,613,761	10/1971	Moody .....	150/52
3,744,658	7/1973	Fijio .....	215/100
4,079,859	3/1978	Jennings .....	222/158
4,105,142	8/1978	Morris, Jr. ....	222/158
4,245,685	1/1981	Nemitz et al. ....	150/52
4,300,612	11/1981	Schroeder, Jr. et al. ....	150/52
4,715,513	12/1987	Shelton, Jr. ....	220/469
5,040,682	8/1991	Palisin, Jr. et al. ....	206/519
5,174,534	12/1992	Mitchell .	
5,330,081	7/1994	Davenport .....	D9/347 X

## FOREIGN PATENT DOCUMENTS

691196	7/1964	Canada .
865530	3/1971	Canada .
0126575	11/1984	European Pat. Off. .
2318083	of 0000	France .
396999	11/1909	France .
371215	6/1910	France .
634273	3/1950	France .
1027739	5/1953	France .
1218248	5/1960	France .
1399264	9/1965	France .
210450	6/1909	Germany .
382034	9/1923	Germany .
2525961	6/1975	Germany .
2744515	10/1977	Germany .
574714	3/1957	Italy .

*Primary Examiner*—Lucy Lieberman  
*Attorney, Agent, or Firm*—Peter C. Richardson; Paul H. Ginsburg; Grover F. Fuller, Jr.

## [57] **CLAIM**

The ornamental design for a combined liquid measuring vessel and bottle, as shown and described.

## **DESCRIPTION**

FIG. 1 is a top, front and left side perspective view of a combined liquid measuring vessel and bottle showing our new design;

FIG. 2 is a left side elevation thereof, the right side elevation is a mirror image thereto except for the threading on the liquid measuring vessel;

FIG. 3 is a top plan view thereof;

FIG. 4 is a front elevational view thereof;

FIG. 5 is a rear elevational view thereof;

FIG. 6 is a bottom plan view thereof;

FIG. 7 is a perspective view shown in the exploded condition;

FIG. 8 is a side elevation of the liquid measuring vessel shown separately, the opposite side is a mirror image thereto except for the threading; and,

FIG. 9 is a top plan view of FIG. 8.

The measuring vessel is shown without the bottle in FIGS. 8 and 9 for illustrative purposes.

**1 Claim, 3 Drawing Sheets**

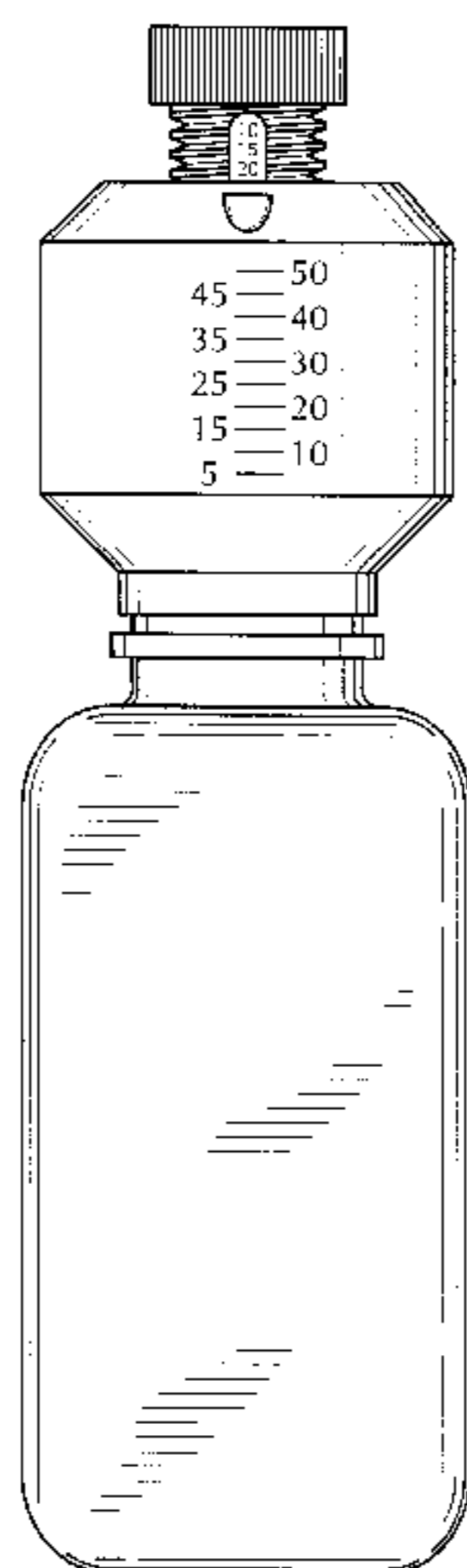


FIG. 1

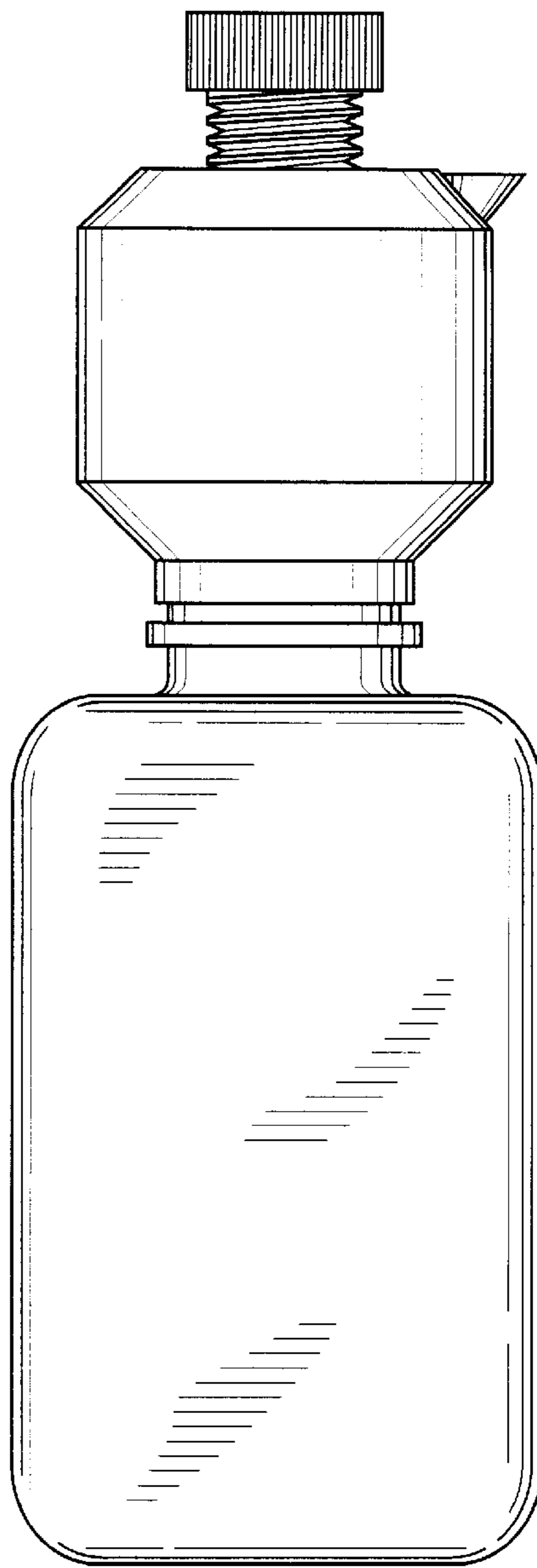


FIG. 2

FIG. 3

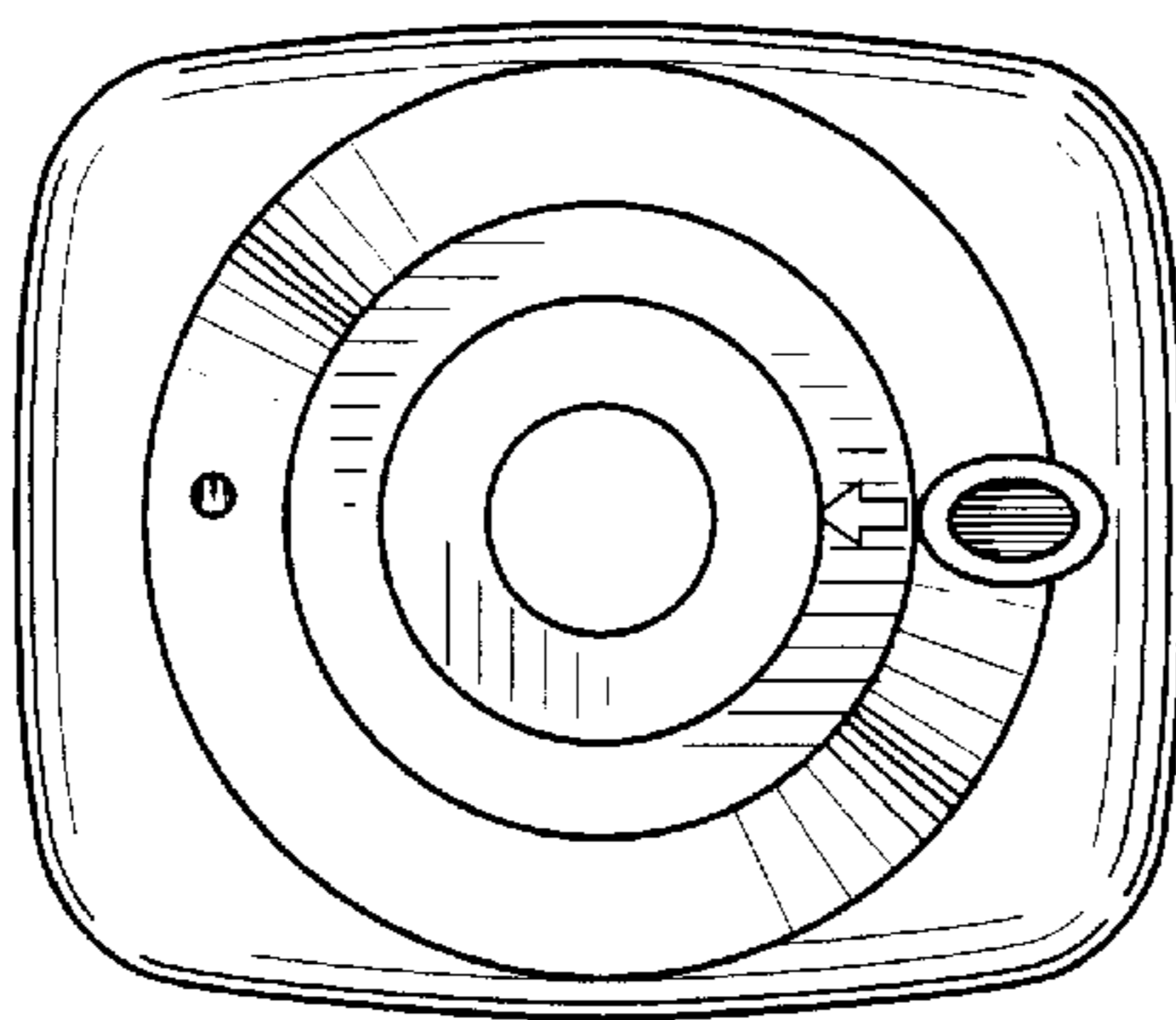




FIG. 4

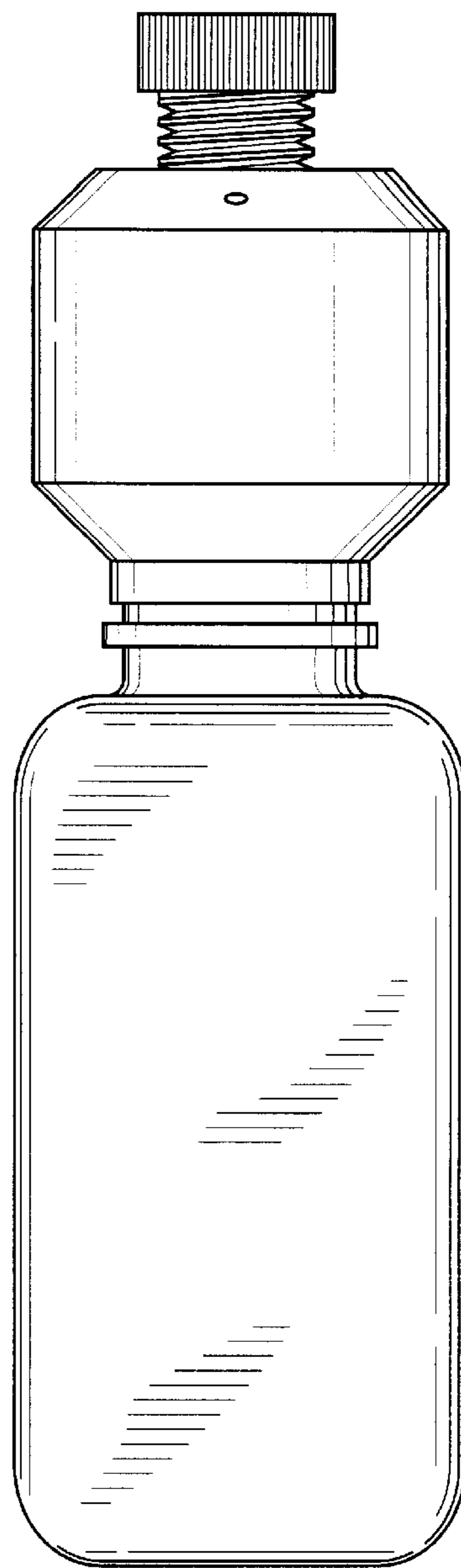
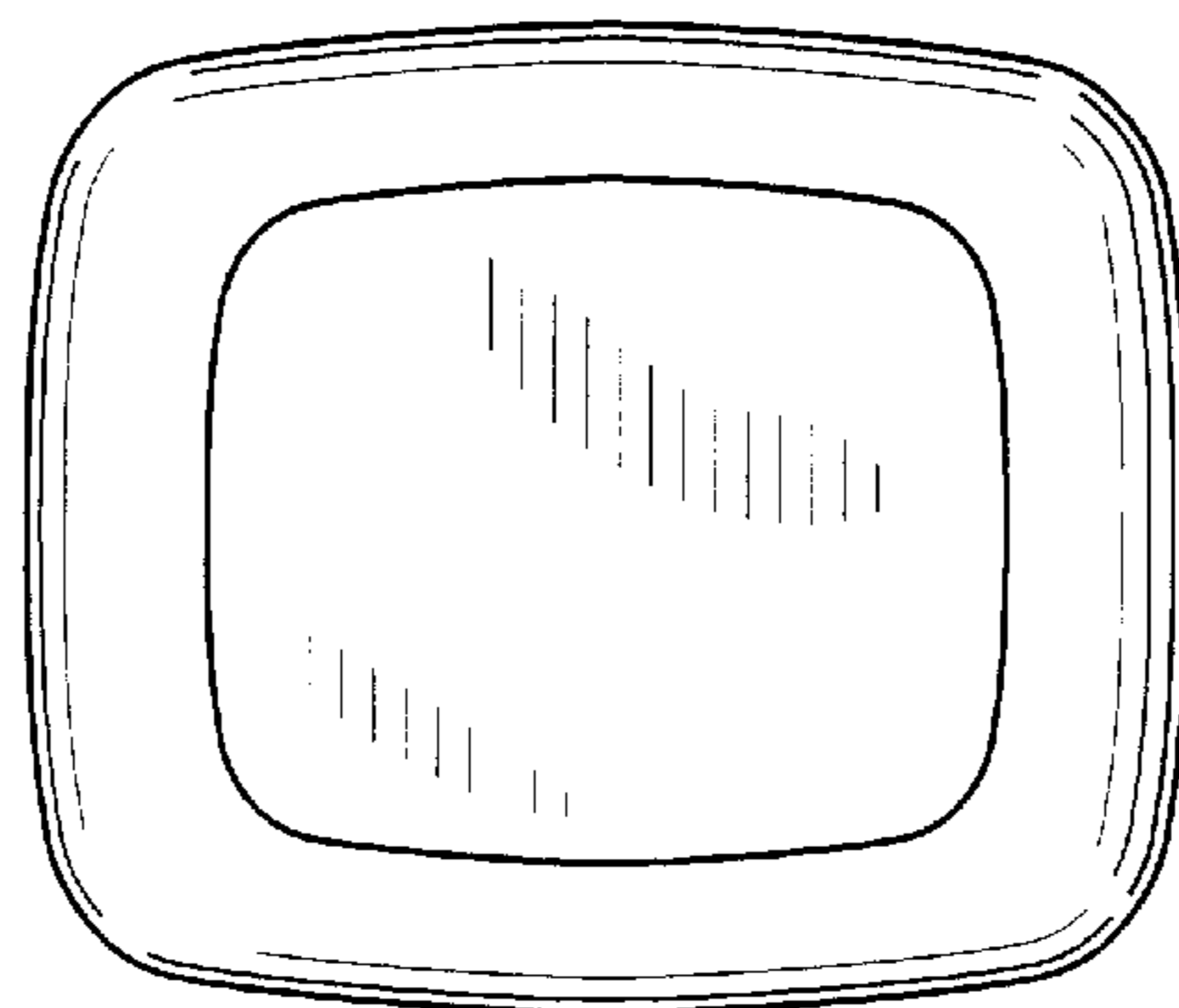


FIG. 5

FIG. 6



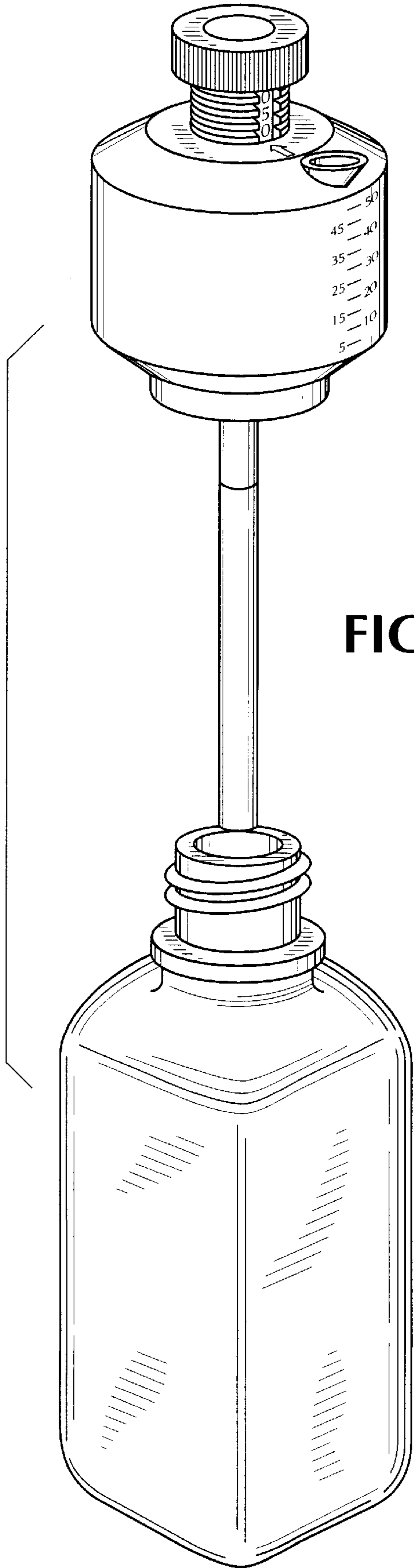


FIG. 7

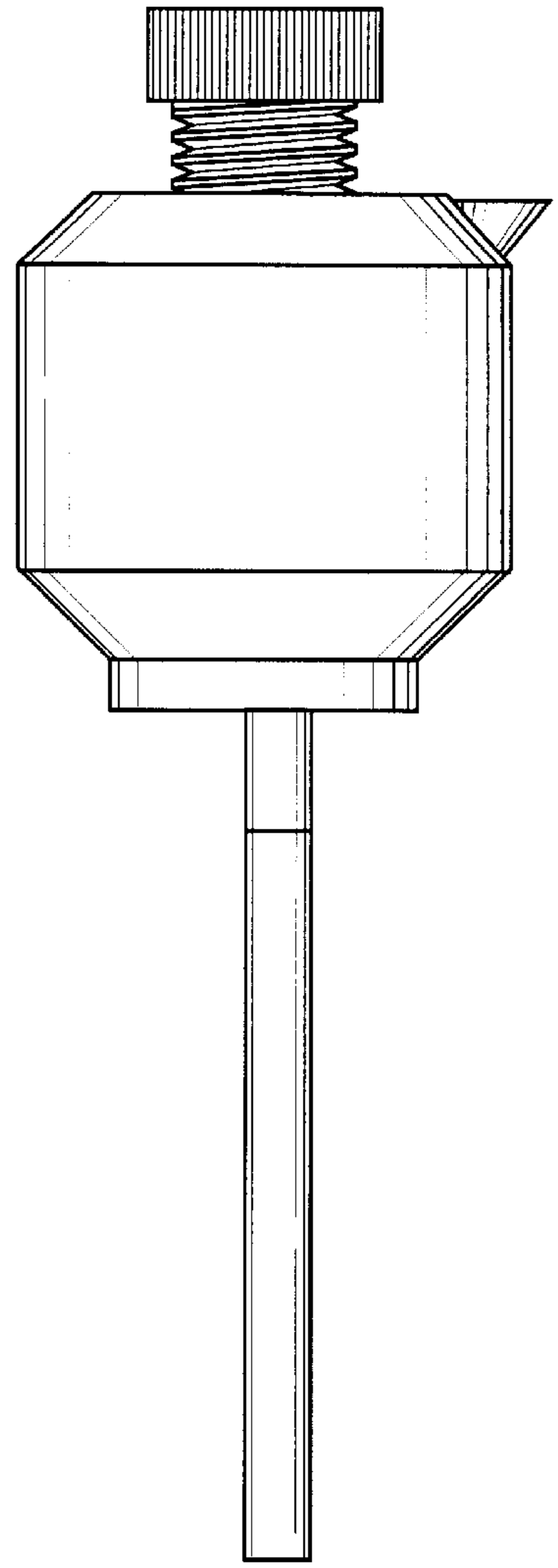


FIG. 8

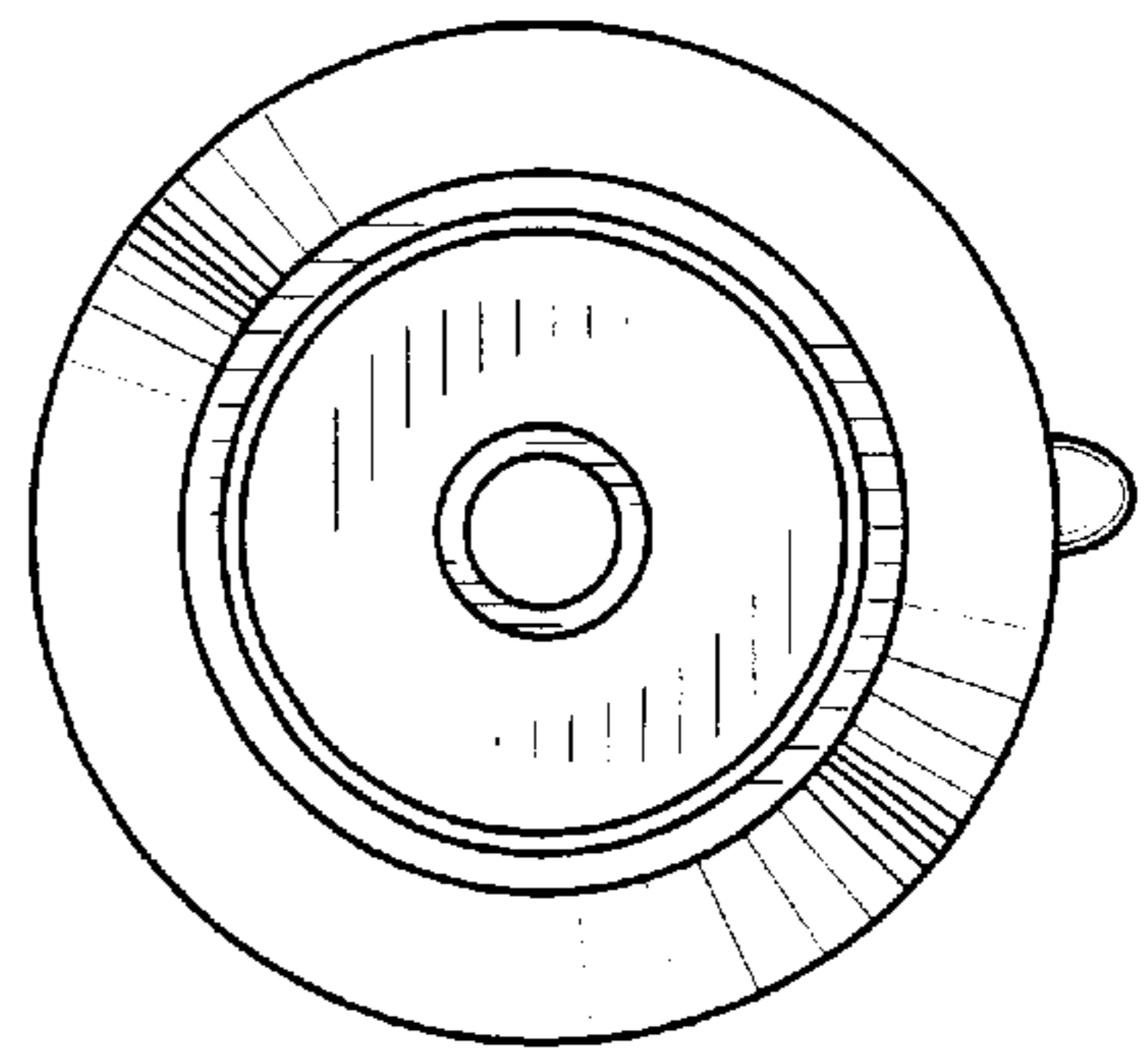


FIG. 9