



US00D400430S

United States Patent [19]

McDonough et al.

[11] Patent Number: **Des. 400,430**

[45] Date of Patent: ****Nov. 3, 1998**

[54] **SPRING-LOADED PANEL FASTENER DESIGN**

[75] Inventors: **William P. McDonough**, Birdsboro;
Harold D. Ross, Chalfont, both of Pa.

[73] Assignee: **Penn Engineering & Manufacturing Corp.**, Danboro, Pa.

[**] Term: **14 Years**

[21] Appl. No.: **49,257**

[22] Filed: **Jan. 22, 1996**

[51] LOC (6) Cl. **08-08**

[52] U.S. Cl. **D8/387; D8/312**

[58] Field of Search **D8/387, 310, 312; 411/347, 352, 107, 108**

[56] **References Cited**

U.S. PATENT DOCUMENTS

D. 283,591 4/1986 Swanstrom D8/387

D. 357,176	4/1995	Ernest	D8/387
3,126,935	3/1964	Tuozzo	411/352
4,387,497	6/1983	Gulistan	411/107
4,915,557	4/1990	Stattford	411/107
5,338,139	8/1994	Swanstrom	411/107
5,382,124	1/1995	Frattarola	411/352
5,544,992	8/1996	Ciobanu et al.	411/353

Primary Examiner—B. J. Bullock
Attorney, Agent, or Firm—Gregory J. Gore

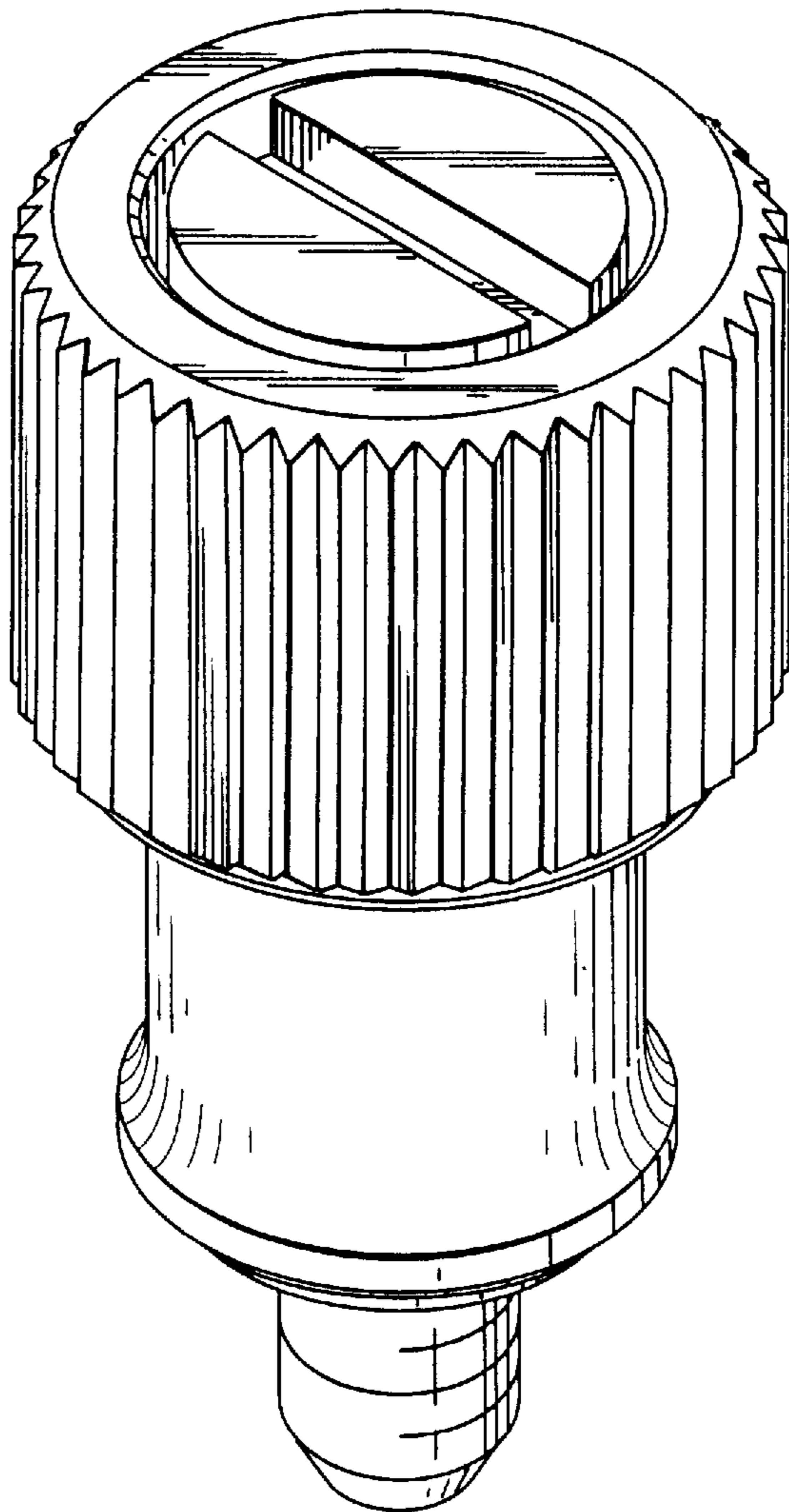
[57] **CLAIM**

The ornamental design for a spring-loaded panel fastener, as shown and described.

DESCRIPTION

FIG. 1 is a top front isometric view of a fastener showing our new design;
FIG. 2 is a bottom front isometric view of FIG. 1;
FIG. 3 is a side elevational view of FIG. 1;
FIG. 4 is a top plan view of FIG. 1; and,
FIG. 5 is a bottom view of FIG. 1.

1 Claim, 2 Drawing Sheets



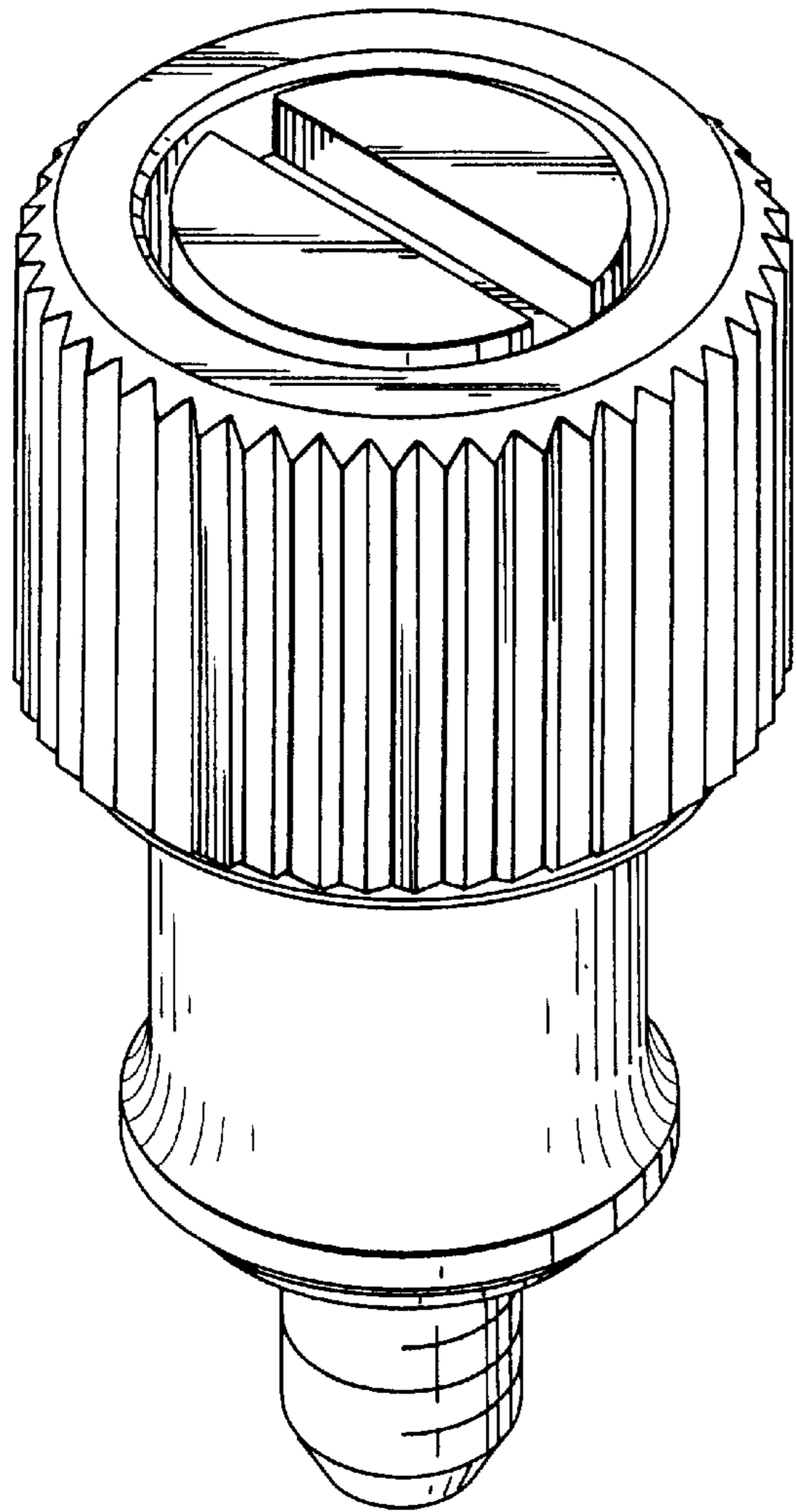


FIG. 1

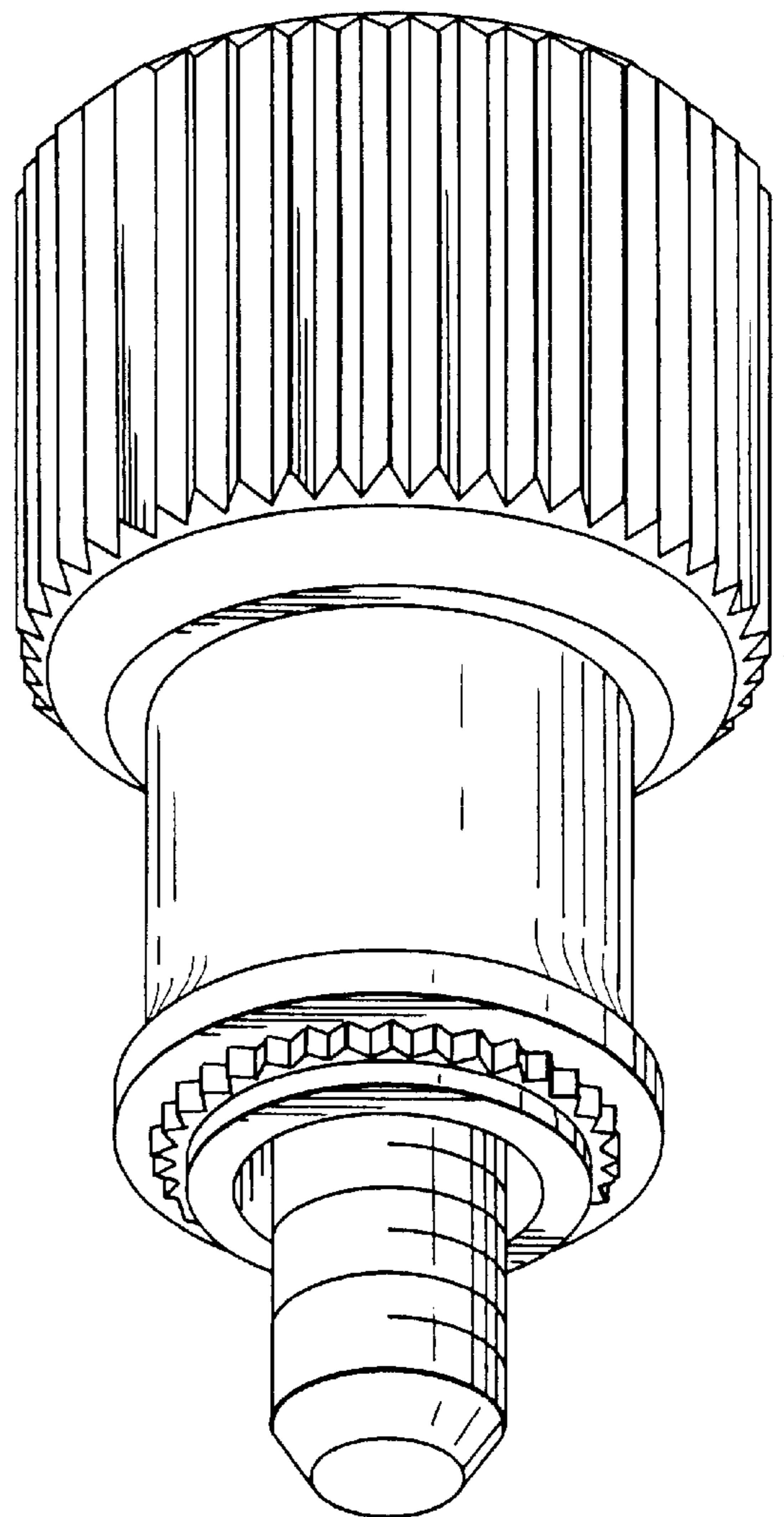


FIG. 2

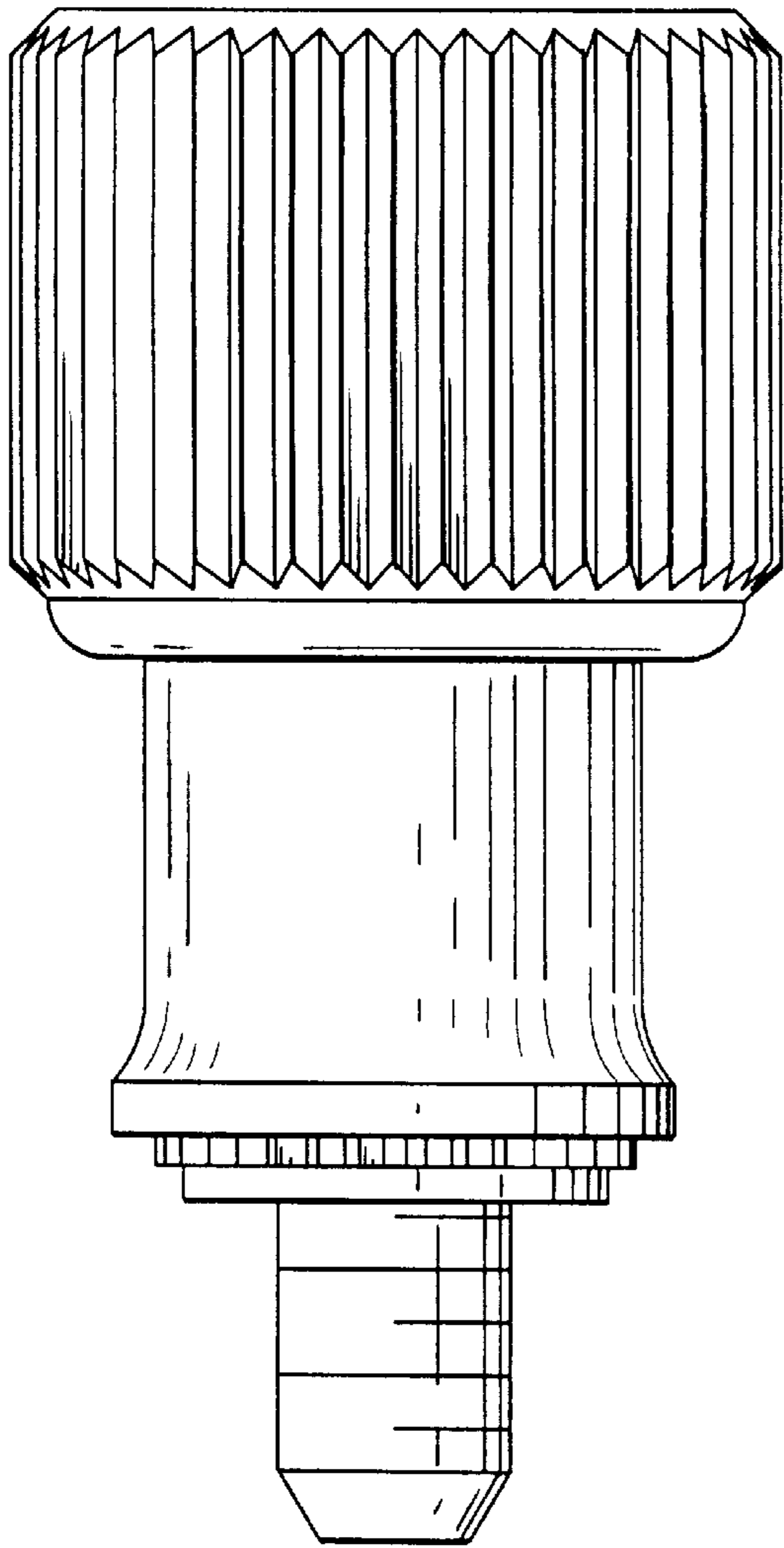


FIG. 3

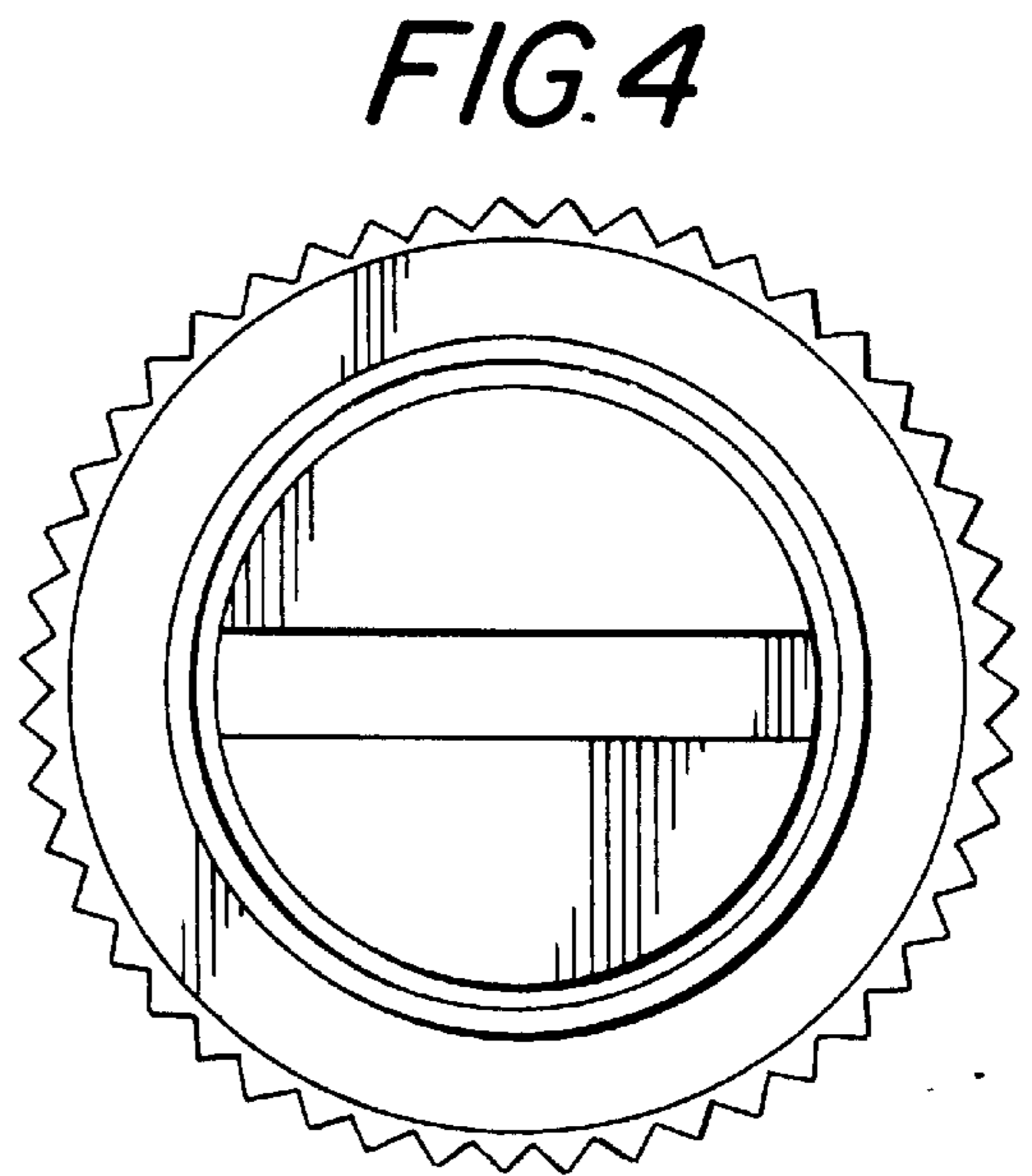


FIG. 4

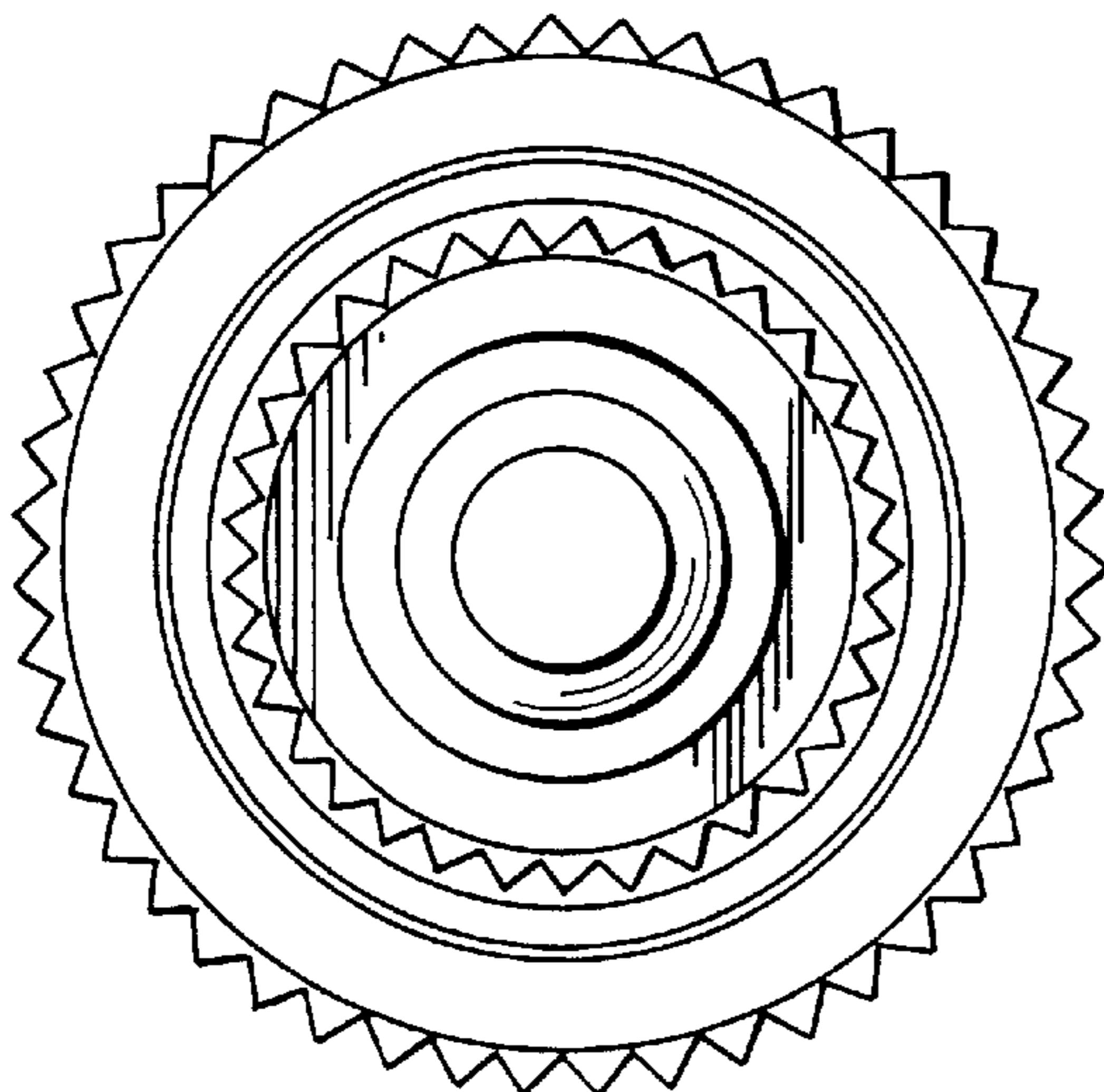


FIG. 5