



US00D400428S

United States Patent [19] Sabounjian

[11] **Patent Number:** **Des. 400,428**

[45] **Date of Patent:** ****Nov. 3, 1998**

[54] **THREE-WAY STRAIGHT CONNECTOR**

5,183,226 2/1993 Brooks .

[76] Inventor: **Azad Sabounjian**, 7626 E. Lockmont Cir., Anaheim, Calif. 92808

Primary Examiner—B. J. Bullock
Attorney, Agent, or Firm—Knobbe, Martens, Olson & Bear, LLP

[**] Term: **14 Years**

[57] **CLAIM**

[21] Appl. No.: **48,970**

The ornamental design for the three-way straight connector, as shown and described.

[22] Filed: **Jan. 16, 1996**

[51] **LOC (6) Cl.** **08-08**

[52] **U.S. Cl.** **D8/382**

[58] **Field of Search** D8/382; D21/108;
D34/6; 211/182, 68; 248/99; 403/300, 305,
388, 217

DESCRIPTION

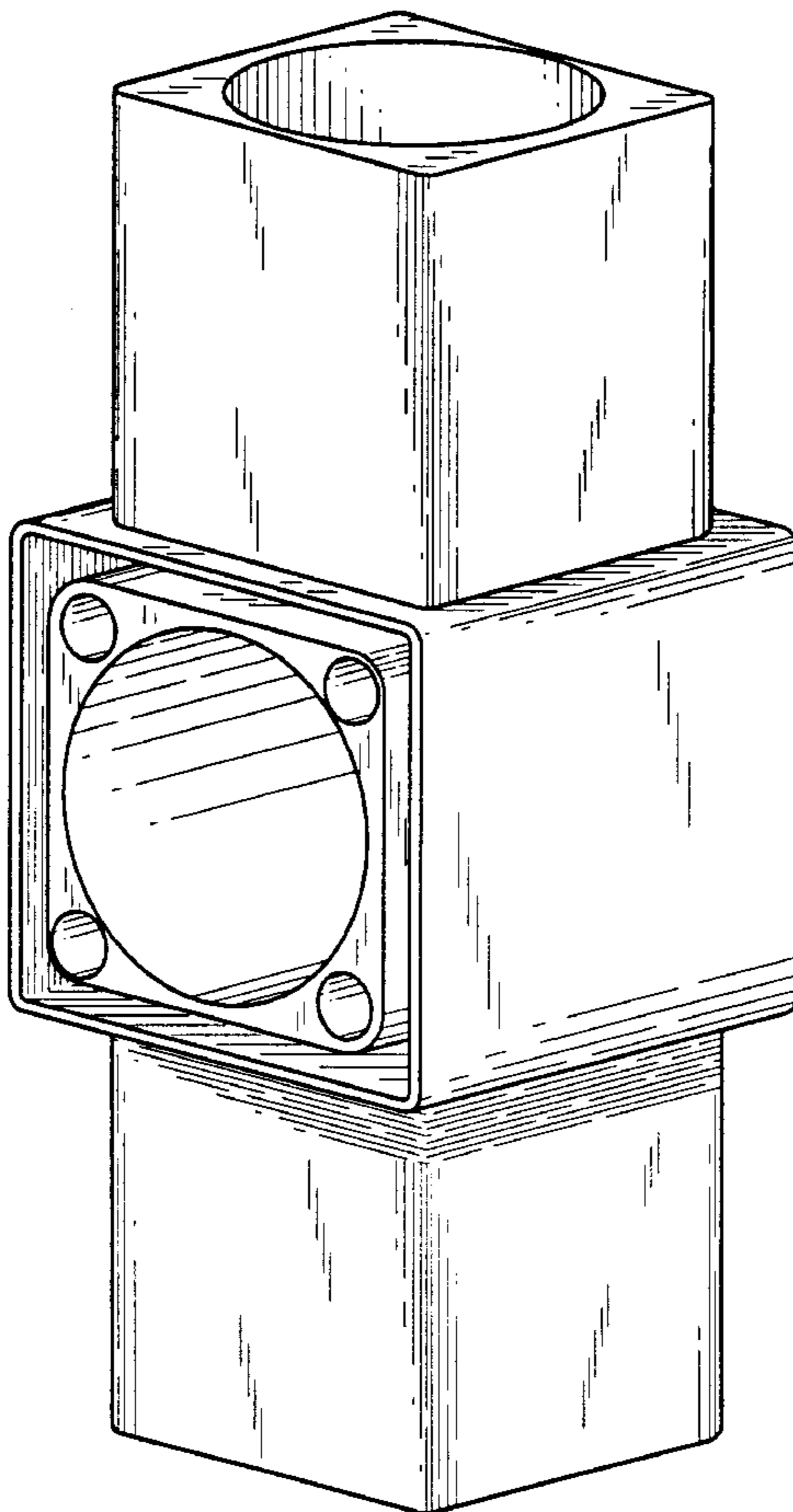
[56] **References Cited**

U.S. PATENT DOCUMENTS

- D. 345,835 4/1994 Tanner .
- 2,874,708 2/1959 Daus, Jr. .
- 3,386,590 6/1968 Gretz .
- 3,462,021 8/1969 Hawke et al. .
- 3,502,357 3/1970 Wagner .
- 3,850,459 11/1974 Blumenkranz et al. .
- 4,174,085 11/1979 Ferreira et al. .
- 4,273,167 6/1981 Stillwell .
- 4,810,031 3/1989 Patterson .
- 4,957,252 9/1990 Watkins .
- 5,100,087 3/1992 Ashby .
- 5,180,126 1/1993 Bennett .

FIG. 1 is a perspective view of a three-way straight connector of a first embodiment of the present invention; FIG. 2 is a front elevational view of the connector; FIG. 3 is a back elevational view of the connector; FIG. 4 is a left side elevational view of the connector with the right side view being a mirror image; FIG. 5 is a top plan view of the connector with the bottom plan view being identical; FIG. 6 is a perspective view of a three-way straight connector of a second embodiment of the present invention; FIG. 7 is a front elevational view of the connector; FIG. 8 is a back elevational view of the connector; FIG. 9 is a left side elevational view of the connector with the right side view being a mirror image; and, FIG. 10 is a top plan view of the connector with the bottom plan view being identical. FIGS. 2, 5 and 7-10 are shown on a reduced scale.

1 Claim, 4 Drawing Sheets



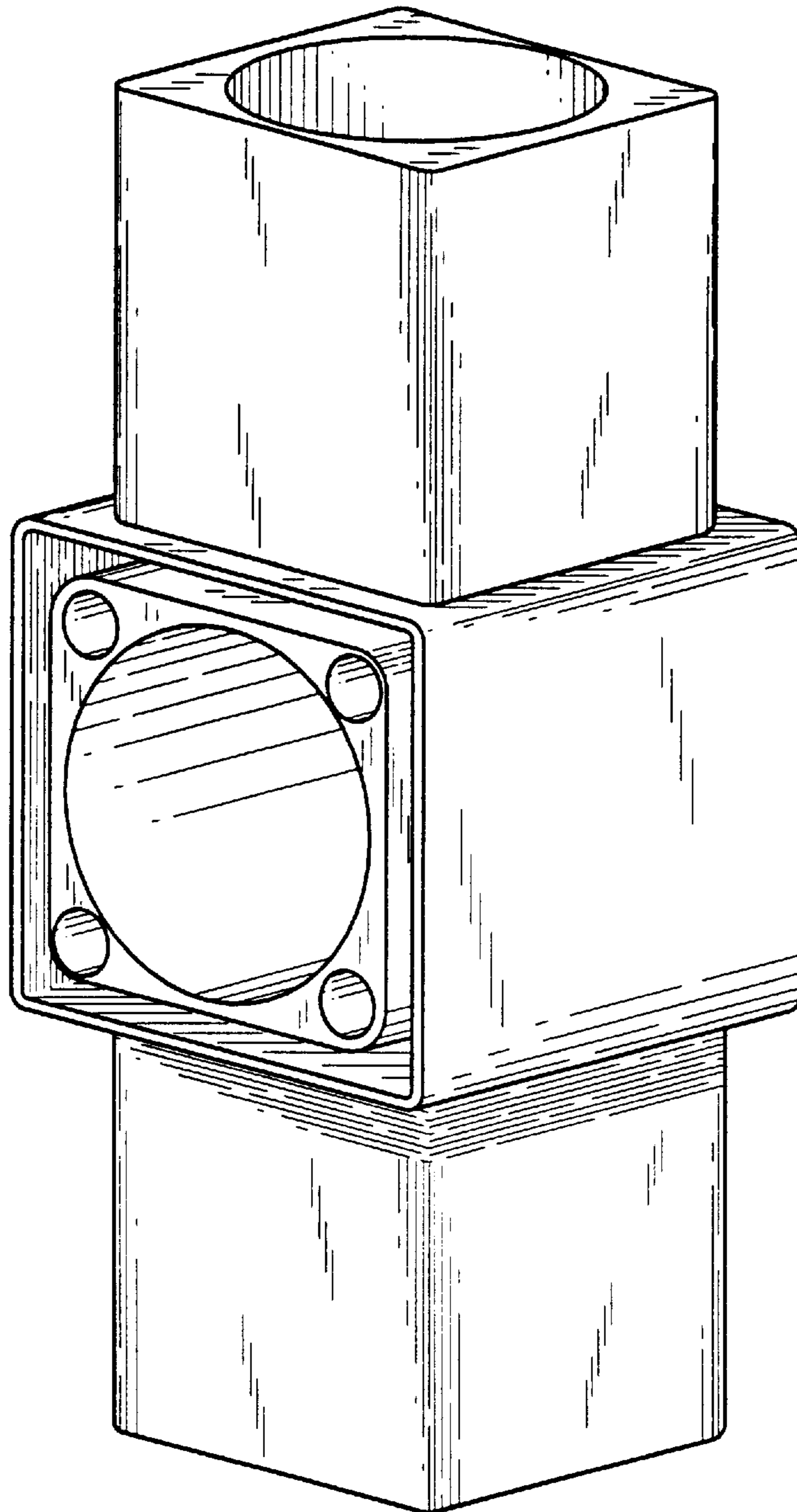


FIG. 1

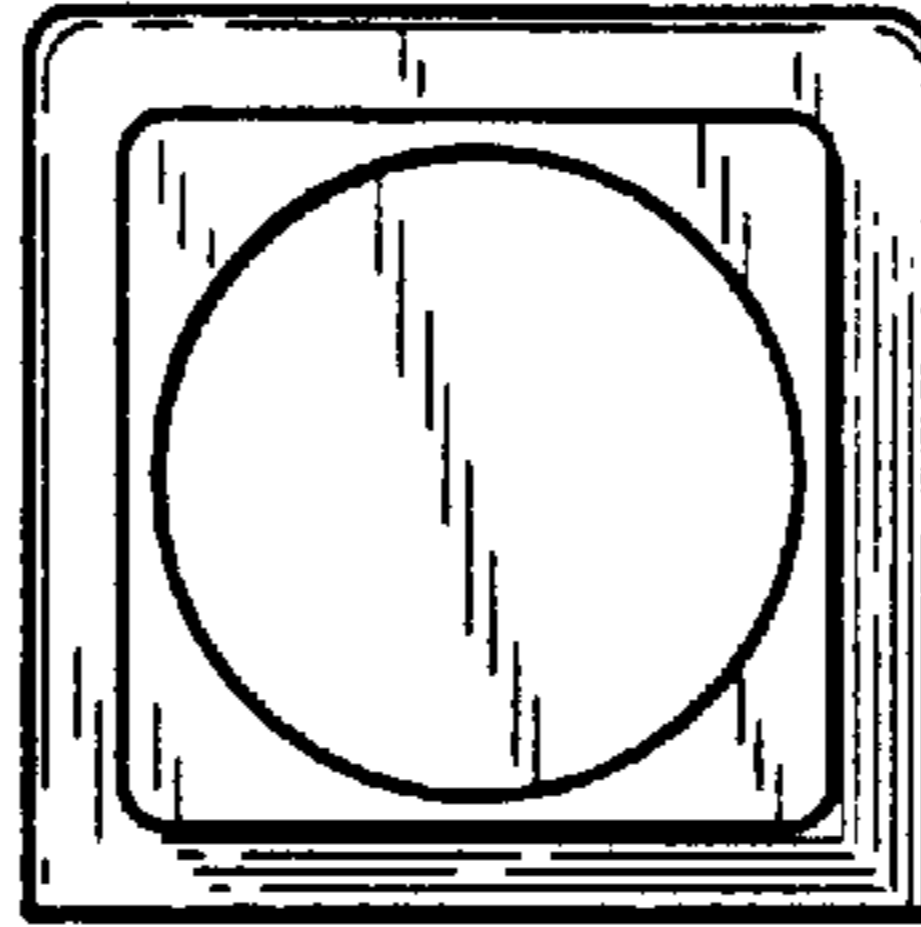


FIG. 5

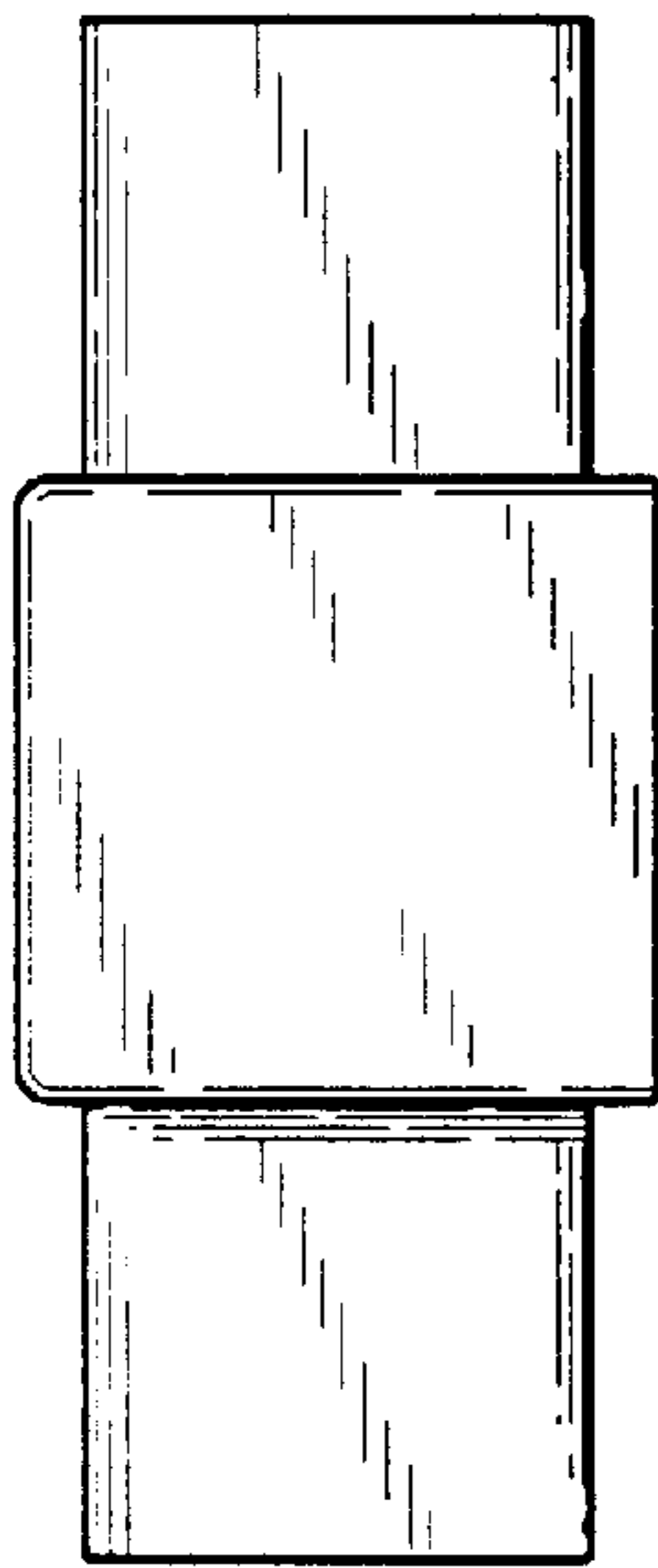


FIG. 4

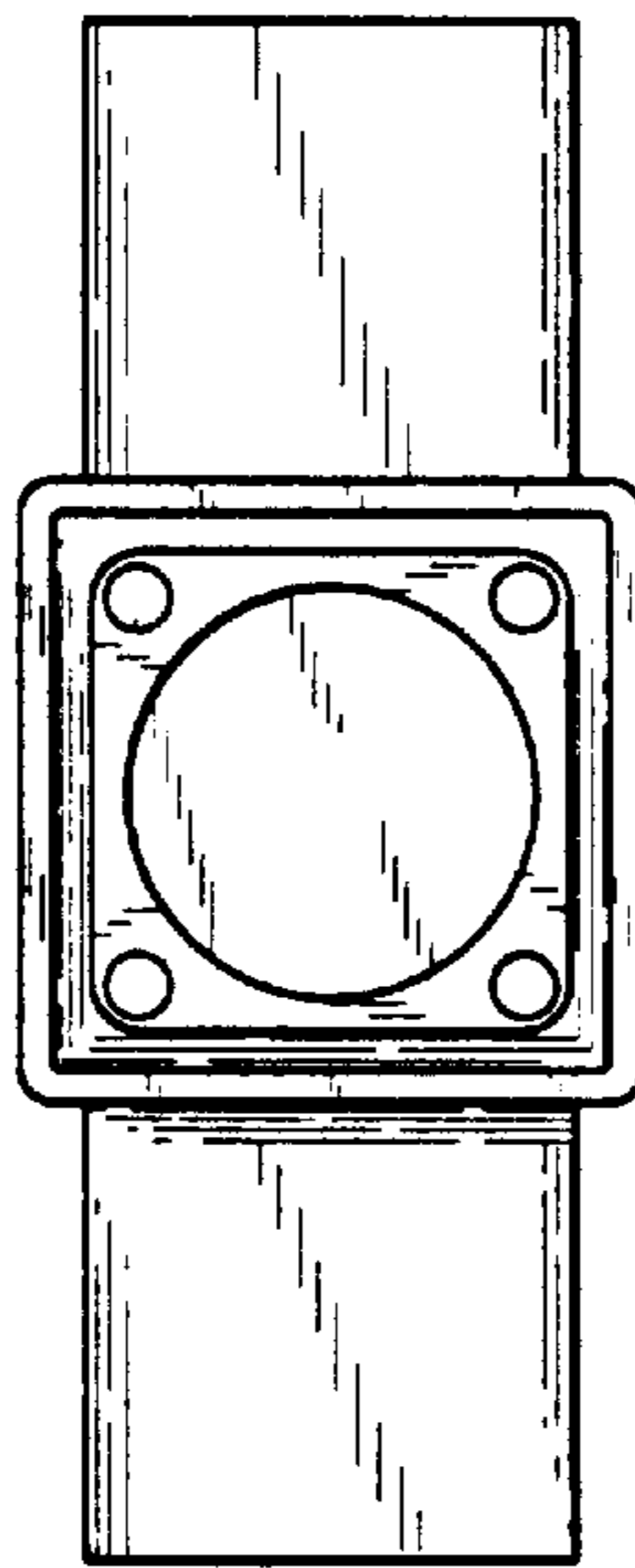


FIG. 2

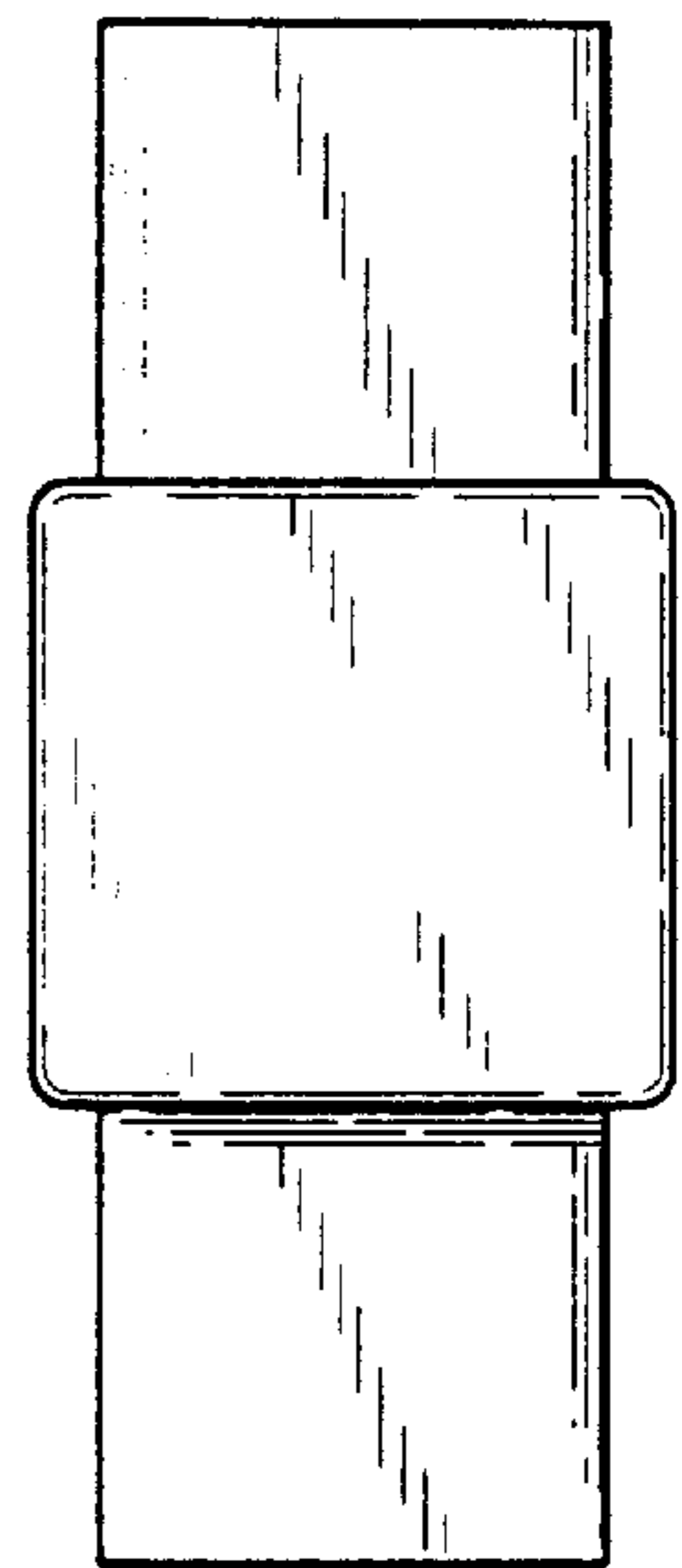


FIG. 3

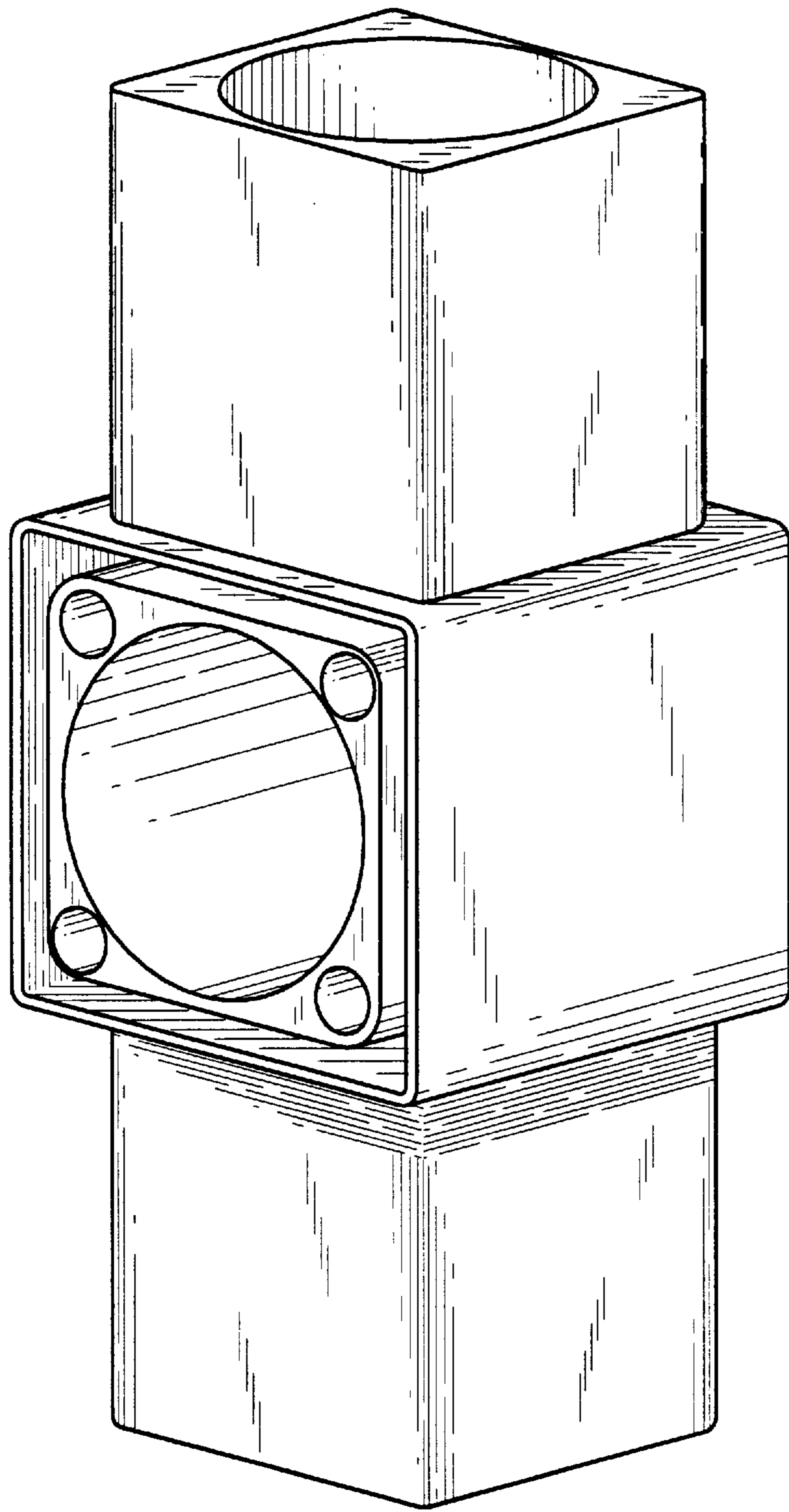


FIG. 6

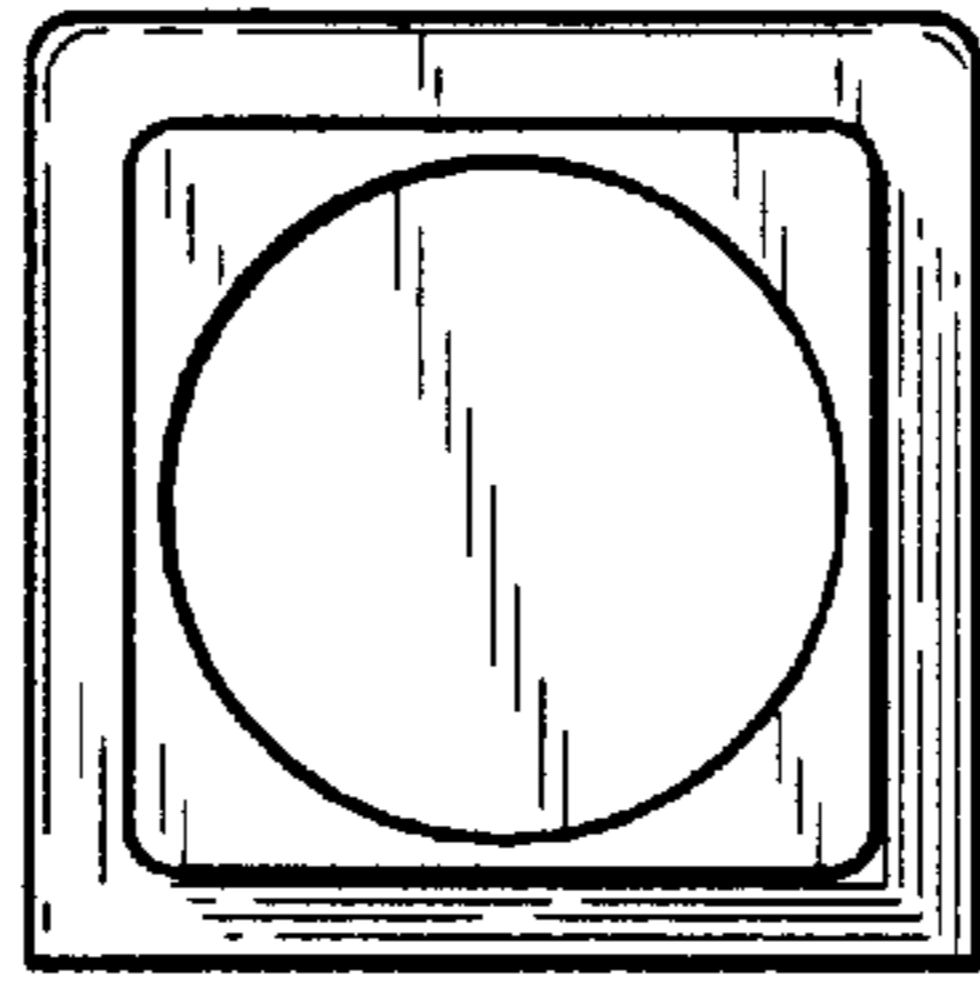


FIG. 10

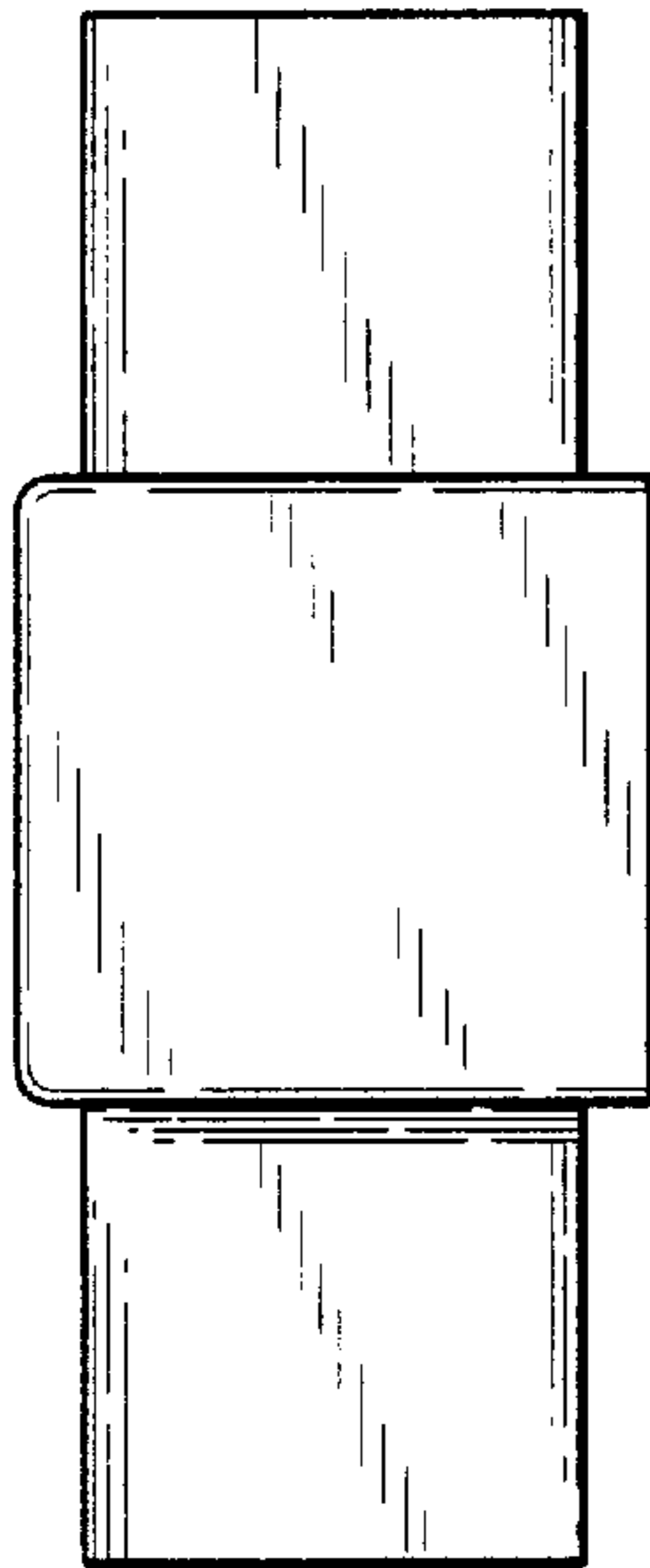


FIG. 9

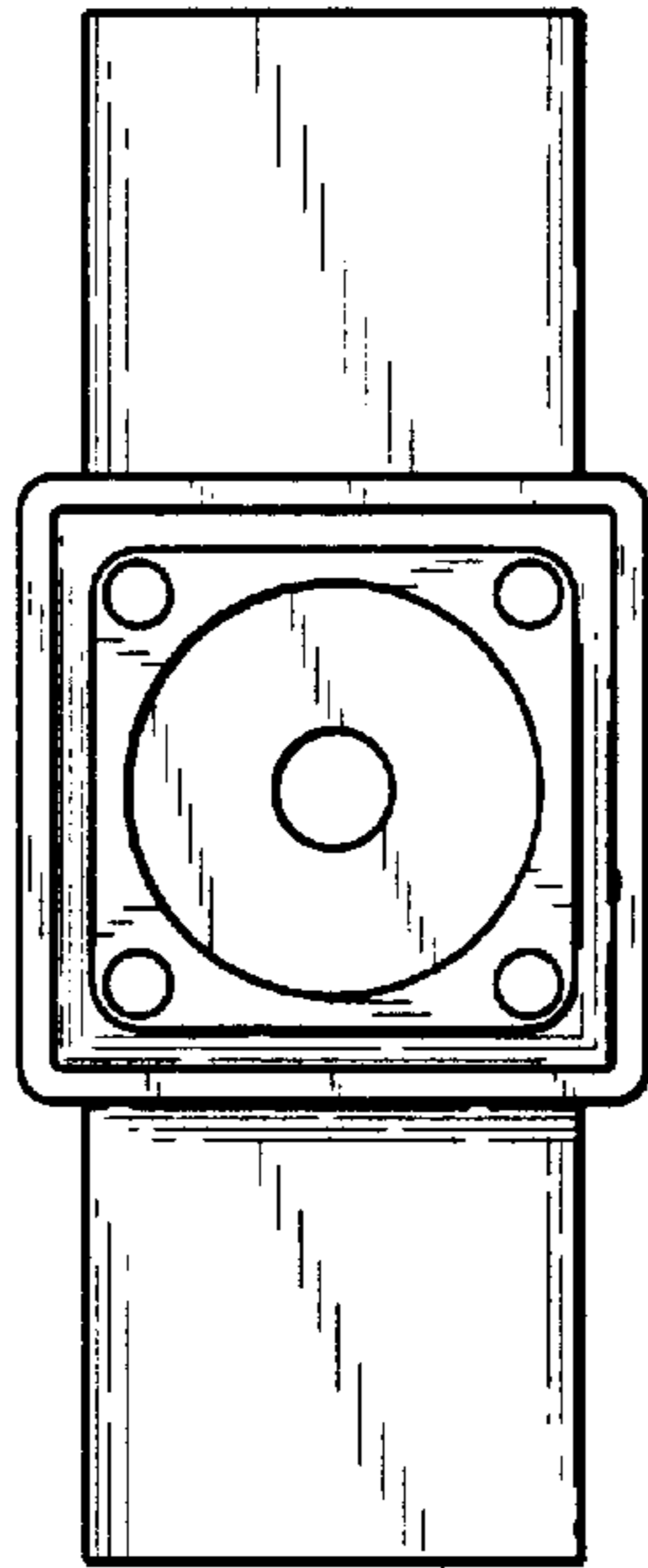


FIG. 7

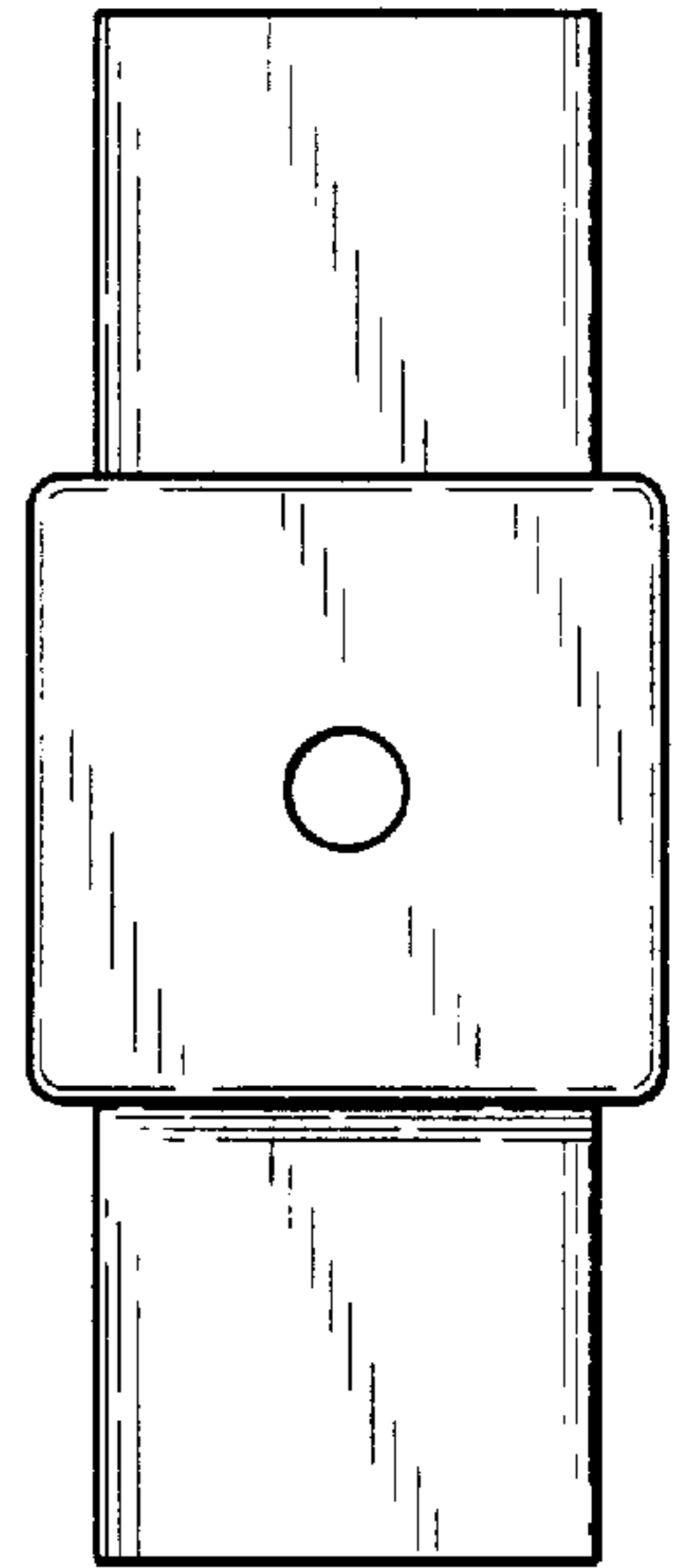


FIG. 8