



US00D400426S

United States Patent [19]
Gillin

[11] **Patent Number: Des. 400,426**

[45] **Date of Patent: **Nov. 3, 1998**

[54] **SWINGSET ANCHOR**

[75] Inventor: **Bruce R. Gillin**, Tulsa, Okla.

[73] Assignee: **Randy Gillin**, Tulsa, Okla.

[**] Term: **14 Years**

[21] Appl. No.: **36,744**

[22] Filed: **Mar. 27, 1995**

[51] **LOC (6) Cl. 08-05**

[52] **U.S. Cl. D8/354**

[58] **Field of Search** D8/349, 354, 363,
D8/374; D25/43, 126, 131; 248/219.4,
309.1, 500-502; 403/190

[56] **References Cited**

U.S. PATENT DOCUMENTS

D. 153,900	5/1949	Regan	D8/374	X
D. 314,501	2/1991	Pagano	D8/354	X
500,941	7/1893	Perkins	403/190	
3,104,122	9/1963	Daniels	D8/363	X

Primary Examiner—Holly Baynham

[57] **CLAIM**

The ornamental design for a swingset anchor, as shown and described.

DESCRIPTION

FIG. 1 is a front and top environmental perspective view of my new design for a swingset anchor, the portion of the figure shown in broken lines forming no part of the claimed design;

FIG. 2 is a left side elevational view thereof;

FIG. 3 is a right side elevational view thereof;

FIG. 4 is a top plan view thereof;

FIG. 5 is a bottom plan view thereof;

FIG. 6 is a rear elevational view thereof;

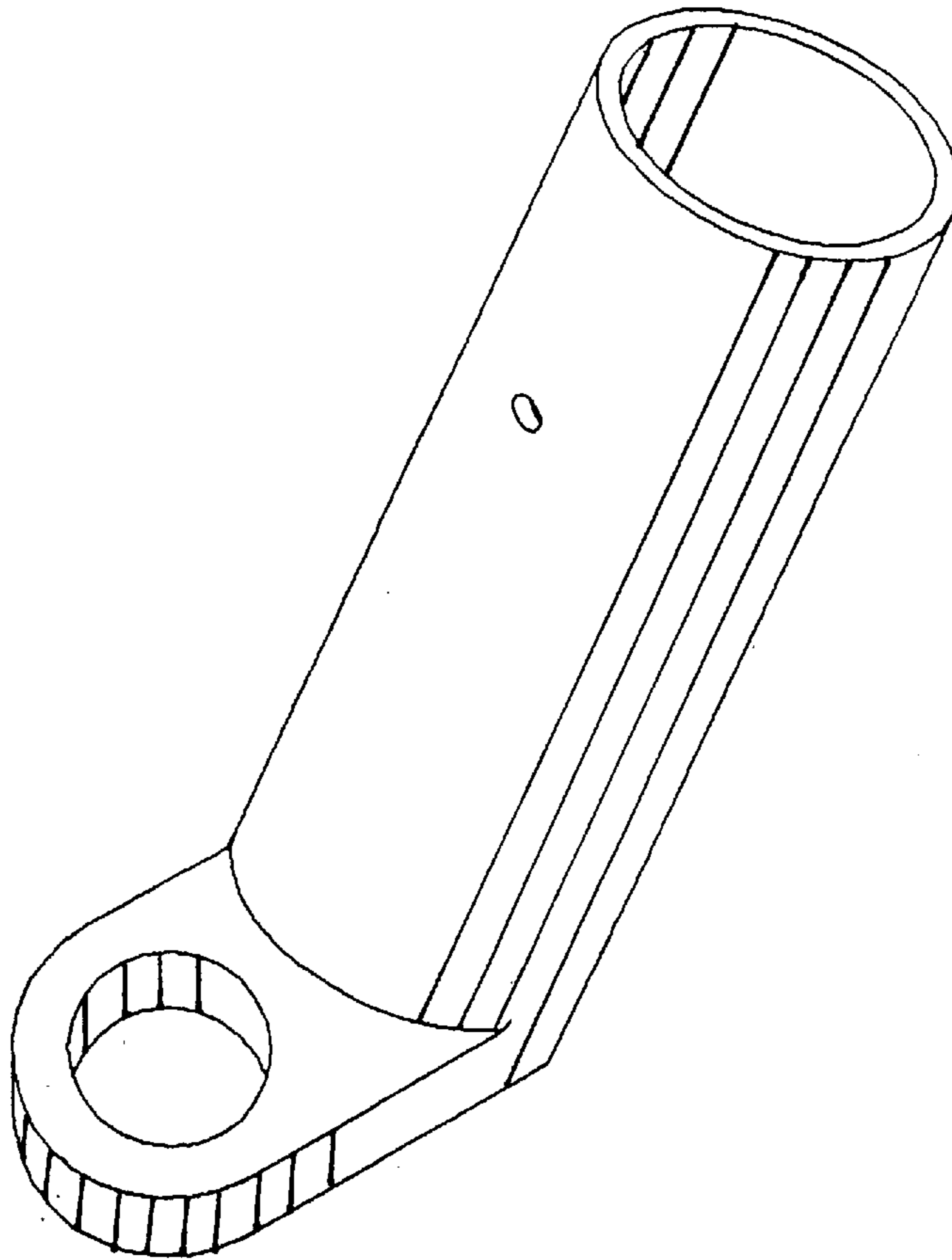
FIG. 7 is a front elevational view thereof;

FIG. 8 is an environmental left side elevation view thereof; and,

FIG. 9 is a second environmental left side elevation view thereof.

The broken line showing of a swingset pole, screws, a capped stem and auger is for illustrative purposes only and forms no part of the claimed design.

1 Claim, 3 Drawing Sheets



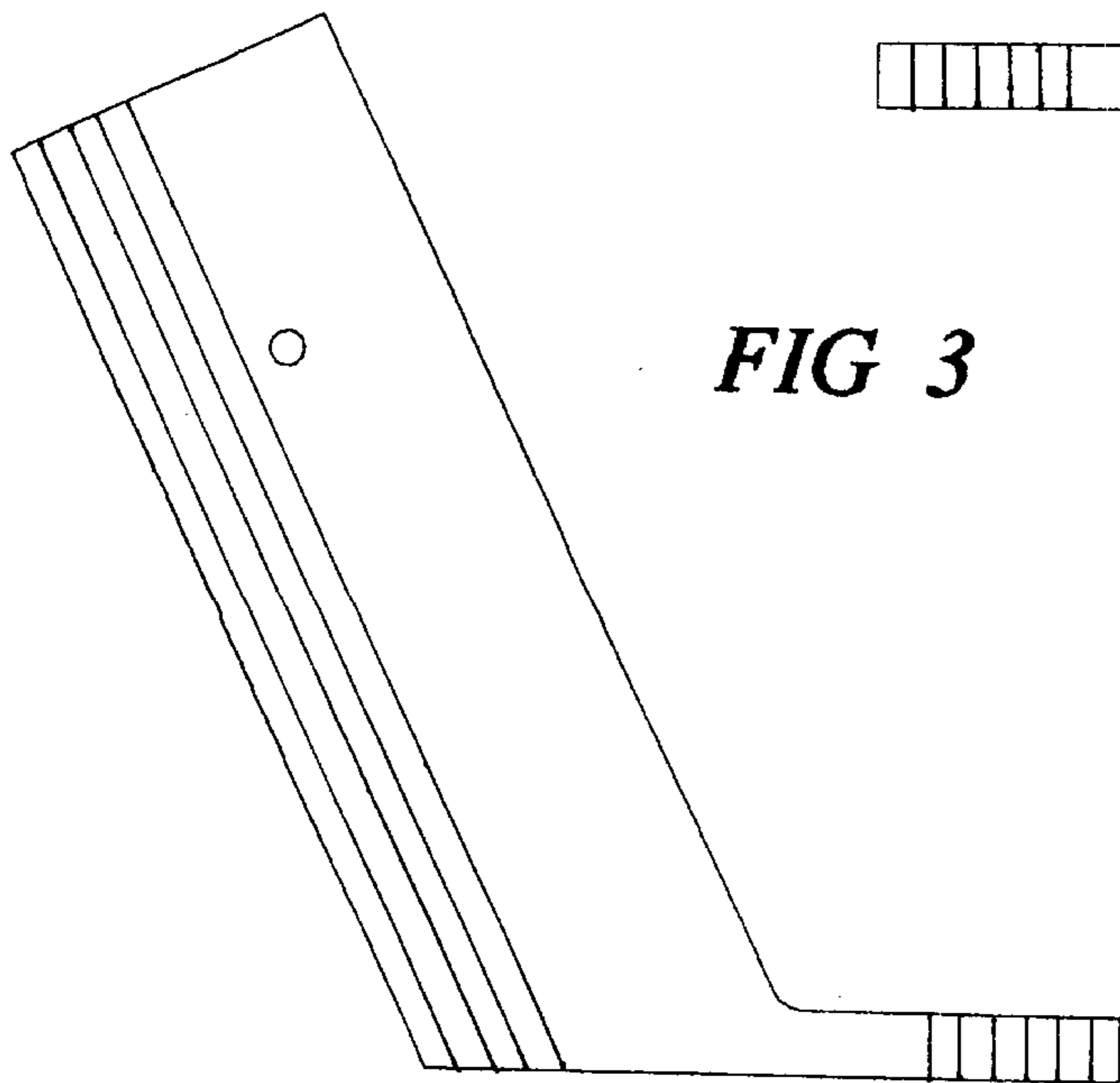
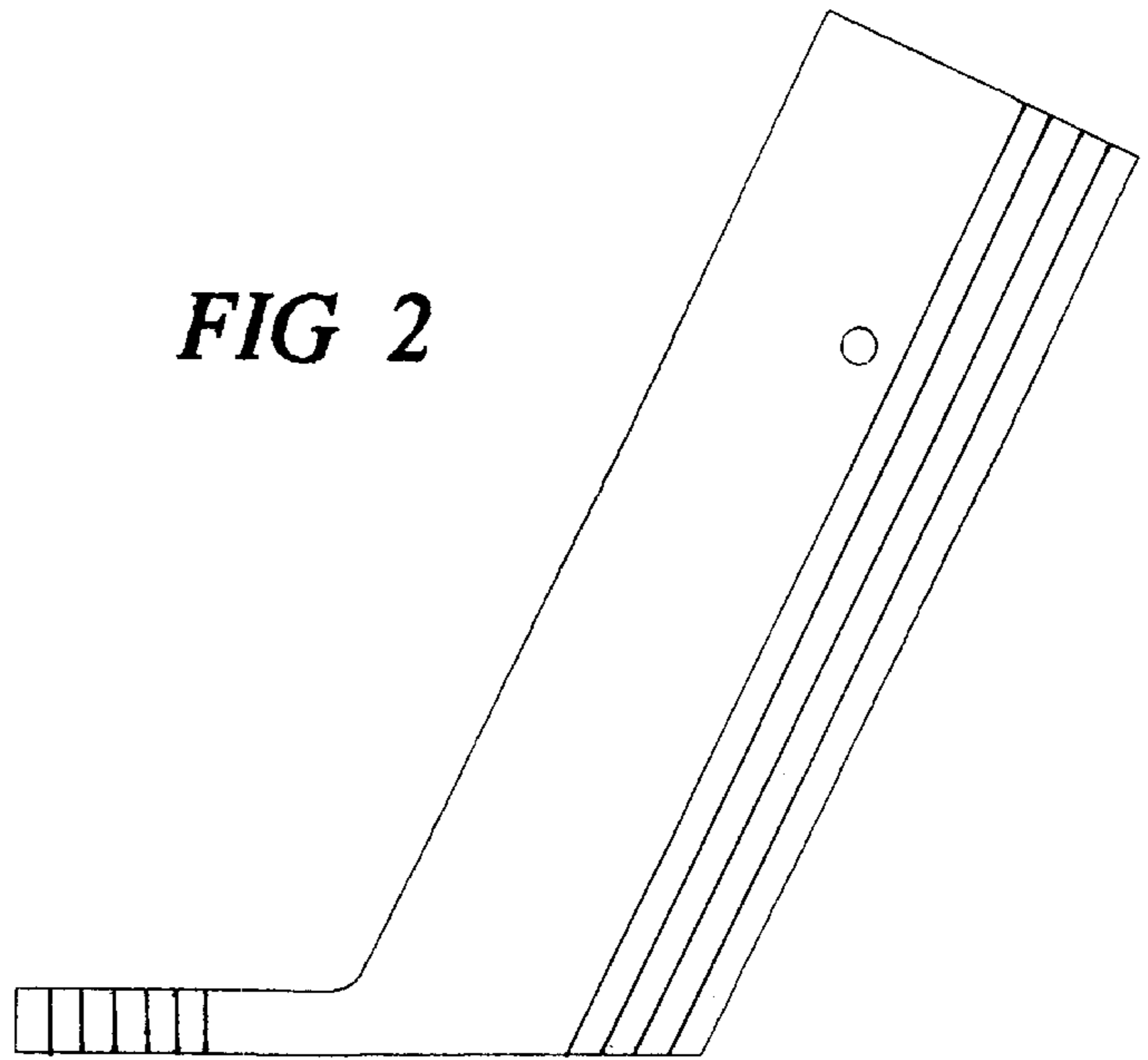
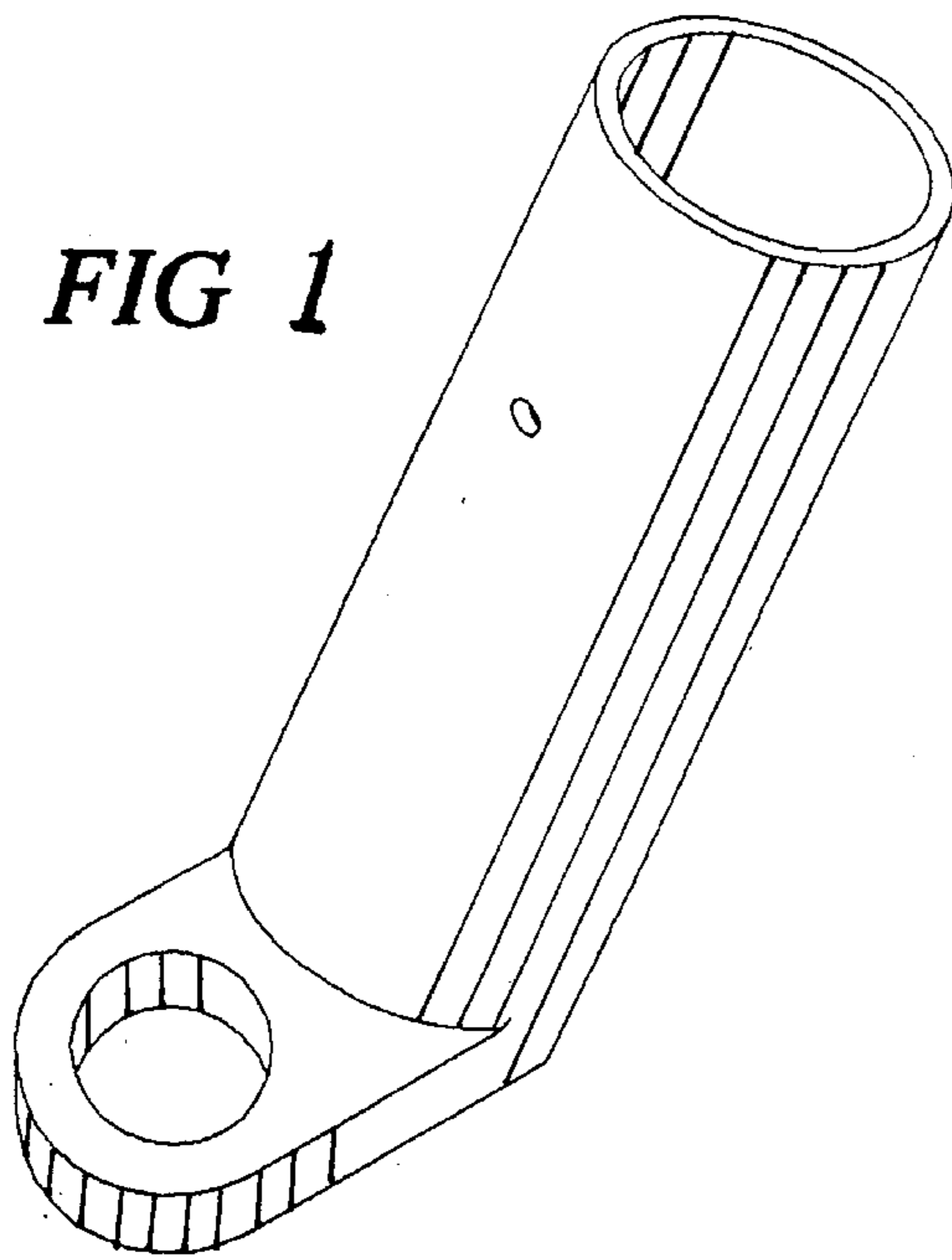


FIG 4

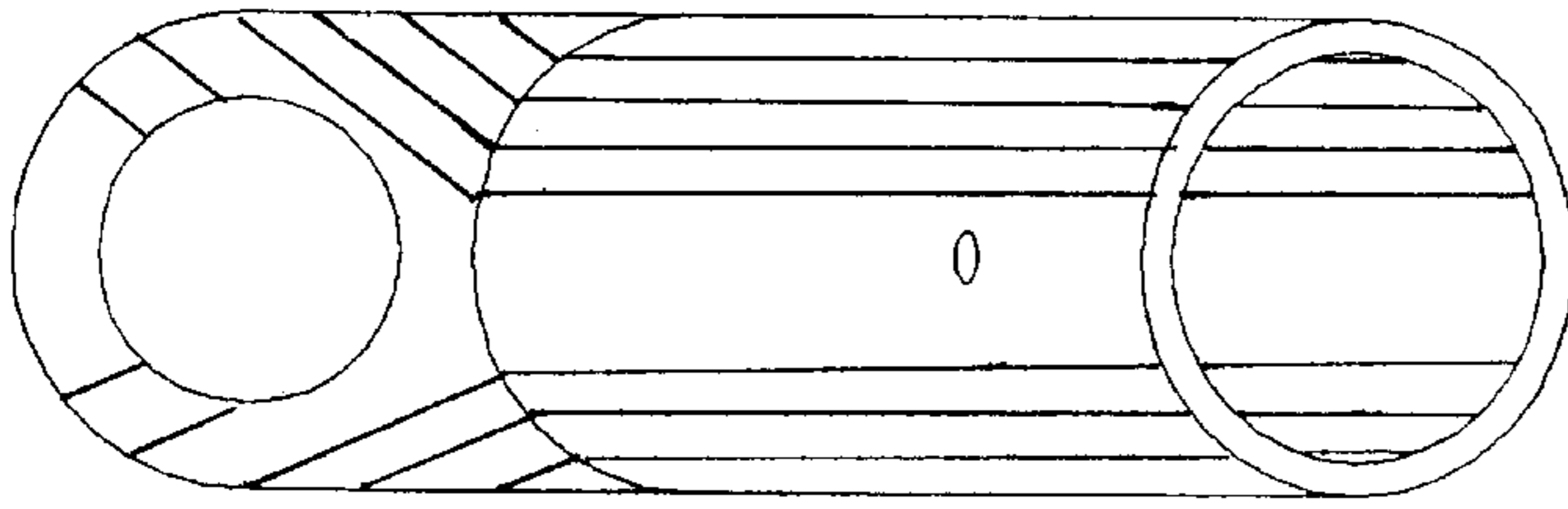


FIG 5

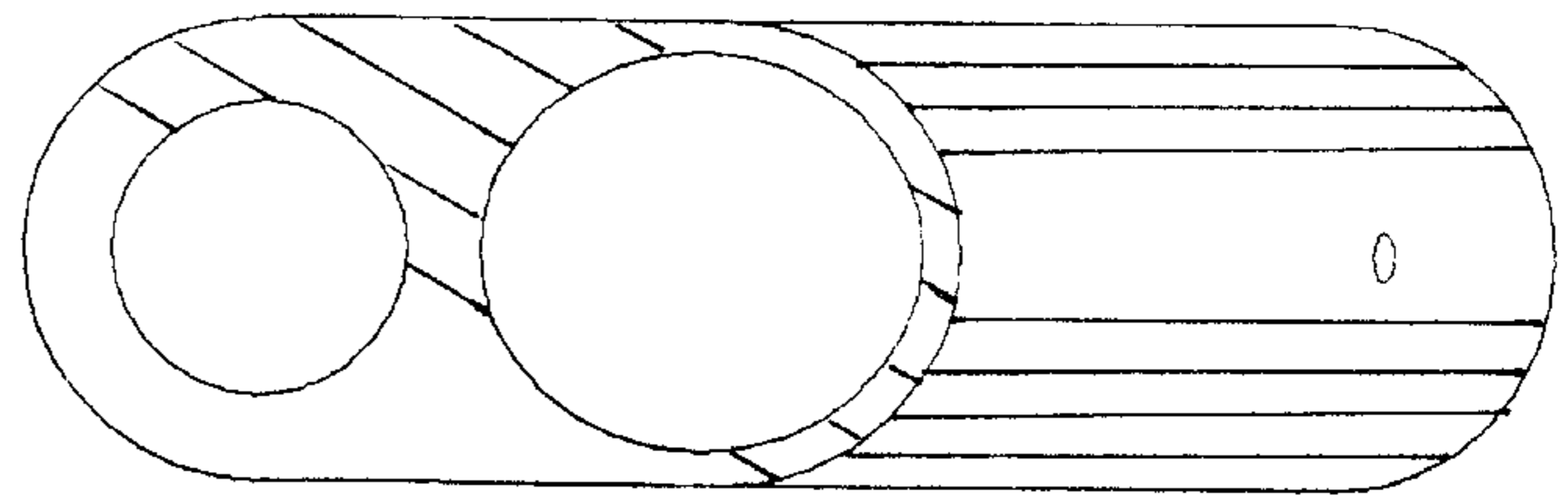


FIG 6

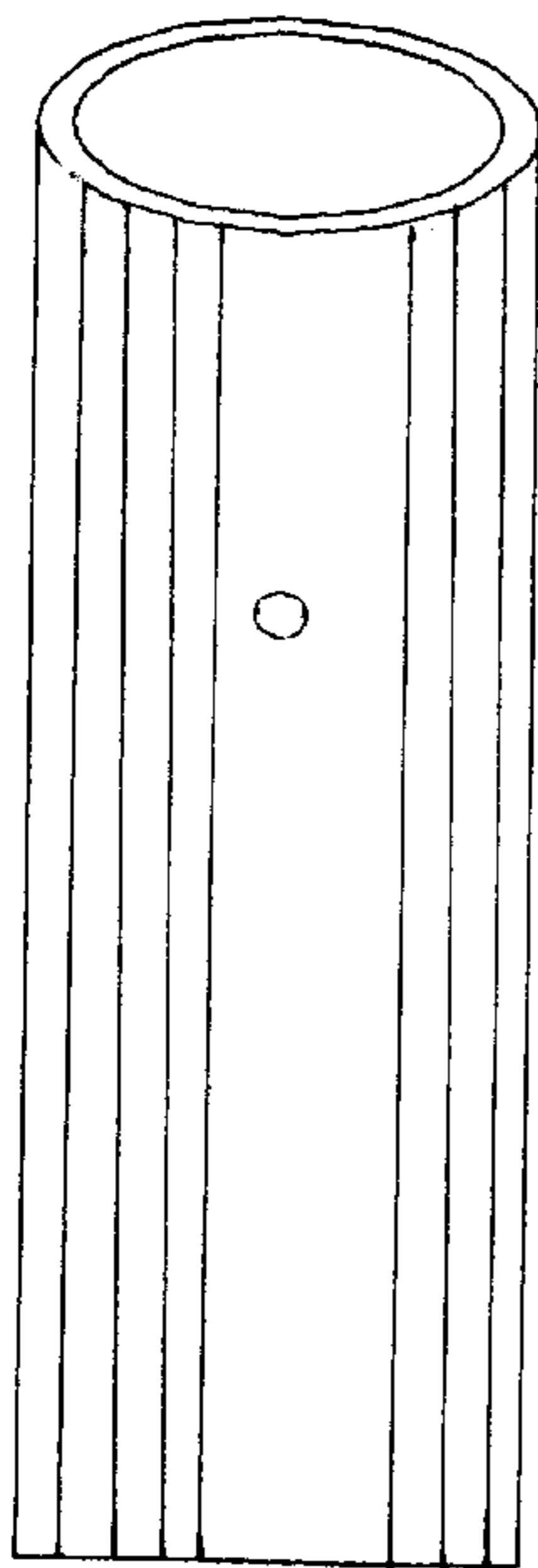


FIG 7

