



US00D400418S

**United States Patent** [19]  
**Lui**

[11] **Patent Number: Des. 400,418**

[45] **Date of Patent: \*\*Nov. 3, 1998**

[54] **CHUCK FOR ELECTRIC DRILL**  
[75] Inventor: **Tat Nin Lui**, Aberdeen, Hong Kong  
[73] Assignee: **Shandong Weida Machine Tool Tools Group Corp.**, China  
[\*\*] Term: **14 Years**

D. 359,432 6/1995 Owens ..... D8/70  
D. 386,193 11/1997 Steadings ..... D15/140  
D. 392,530 3/1998 Lui ..... D8/68  
5,390,940 2/1995 Morlino et al. .... 279/62  
5,580,197 12/1996 Rohm ..... 408/240  
5,624,125 4/1997 Roehm ..... 279/62  
5,709,392 1/1998 Barton et al. .... 279/62

[21] Appl. No.: **80,991**  
[22] Filed: **Dec. 22, 1997**  
[30] **Foreign Application Priority Data**  
Jun. 25, 1997 [GB] United Kingdom ..... 2066915

*Primary Examiner*—Robert M. Spear  
*Attorney, Agent, or Firm*—Miller, Sisson, Chapman & Nash, P.C.

[51] **LOC (6) Cl.** ..... **08-01**  
[52] **U.S. Cl.** ..... **D8/70; D15/140**  
[58] **Field of Search** ..... D8/68, 70; D15/140;  
279/60, 61, 62, 63, 64, 65, 66, 140, 902;  
408/240

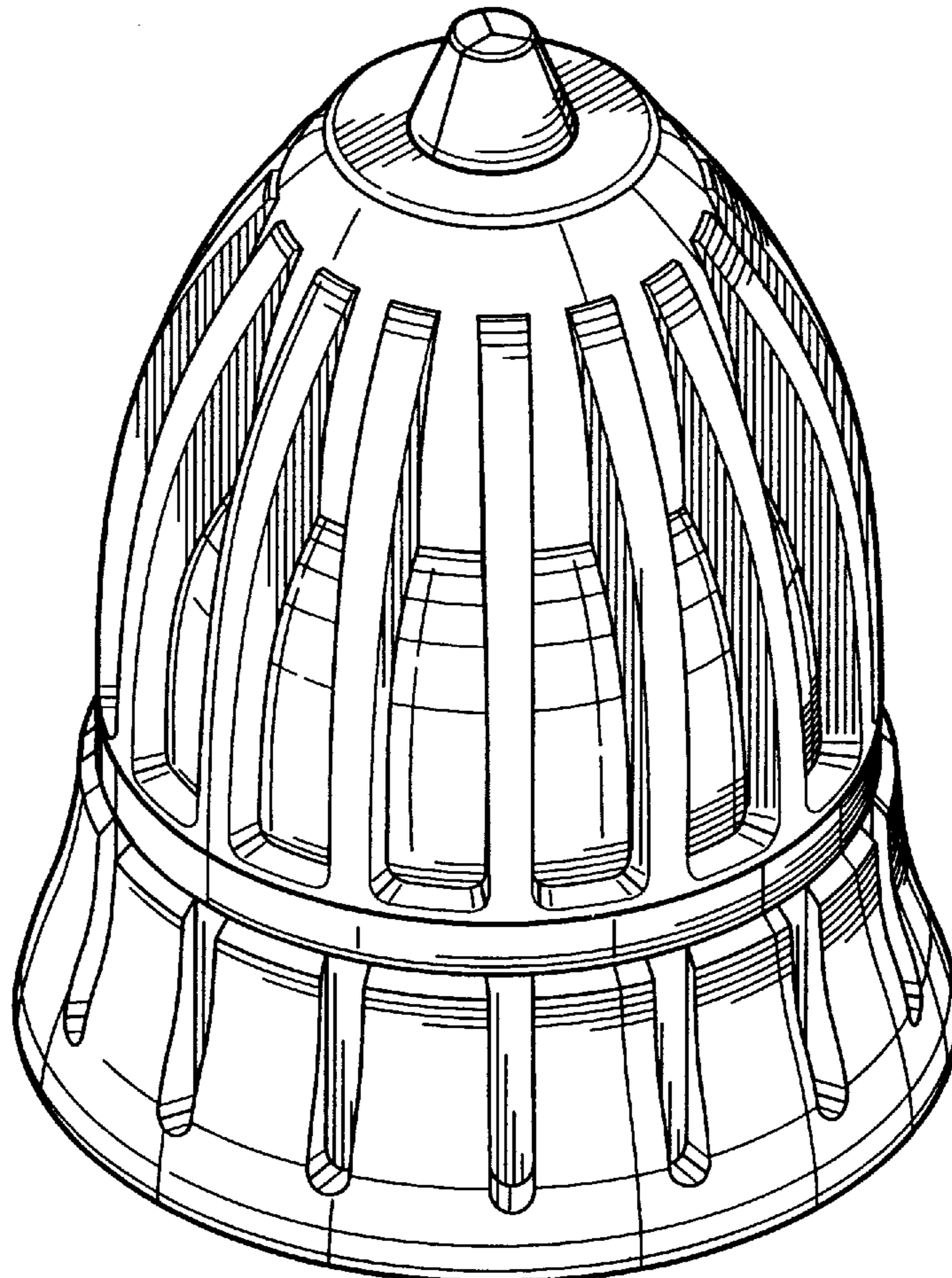
[57] **CLAIM**  
The ornamental design for a chuck for electric drill, as shown and described.

[56] **References Cited**  
**U.S. PATENT DOCUMENTS**

**DESCRIPTION**  
FIG. 1 is a top and side perspective view of a chuck for electric drill showing my new design;  
FIG. 2 is a first elevational view thereof;  
FIG. 3 is a right side elevational view thereof;  
FIG. 4 is a rear elevational view thereof;  
FIG. 5 is a left side elevational view thereof;  
FIG. 6 is a top plan view thereof; and,  
FIG. 7 is a bottom plan view thereof.

D. 346,541 5/1994 Somers ..... D8/70  
D. 356,932 4/1995 Owens et al. .... D8/70  
D. 359,217 6/1995 Owens et al. .... D8/70

**1 Claim, 4 Drawing Sheets**



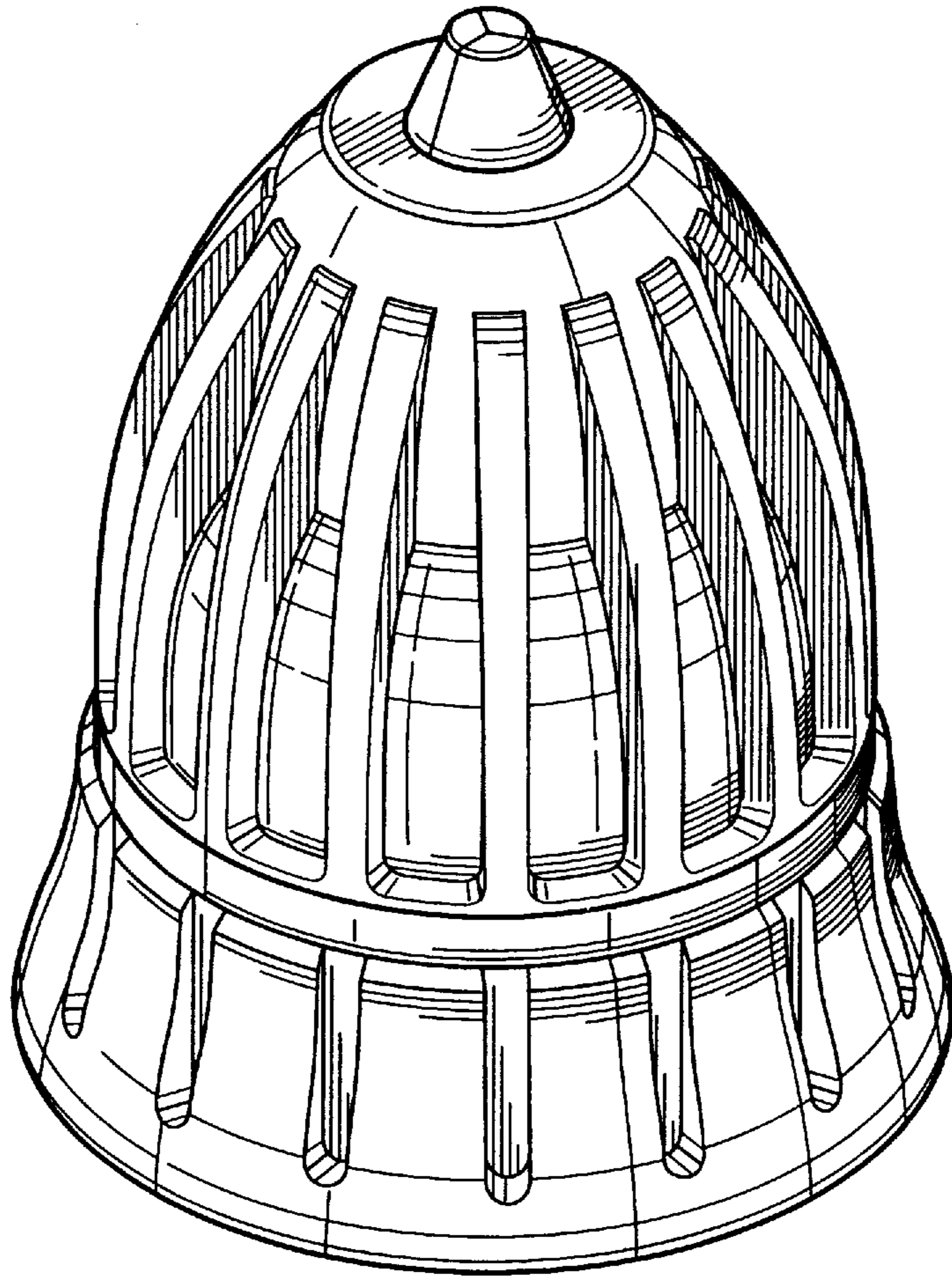


FIG. 1

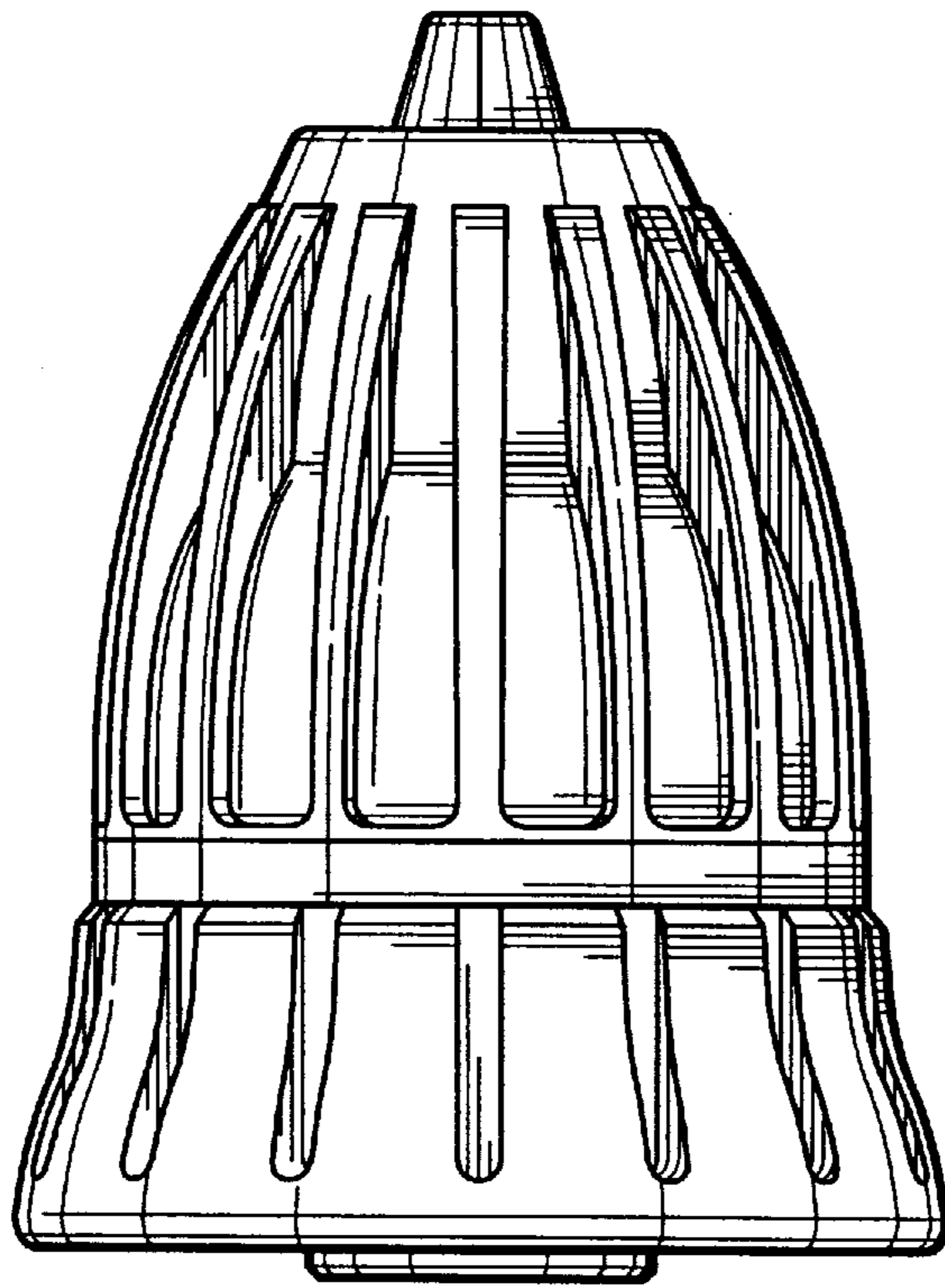


FIG. 2

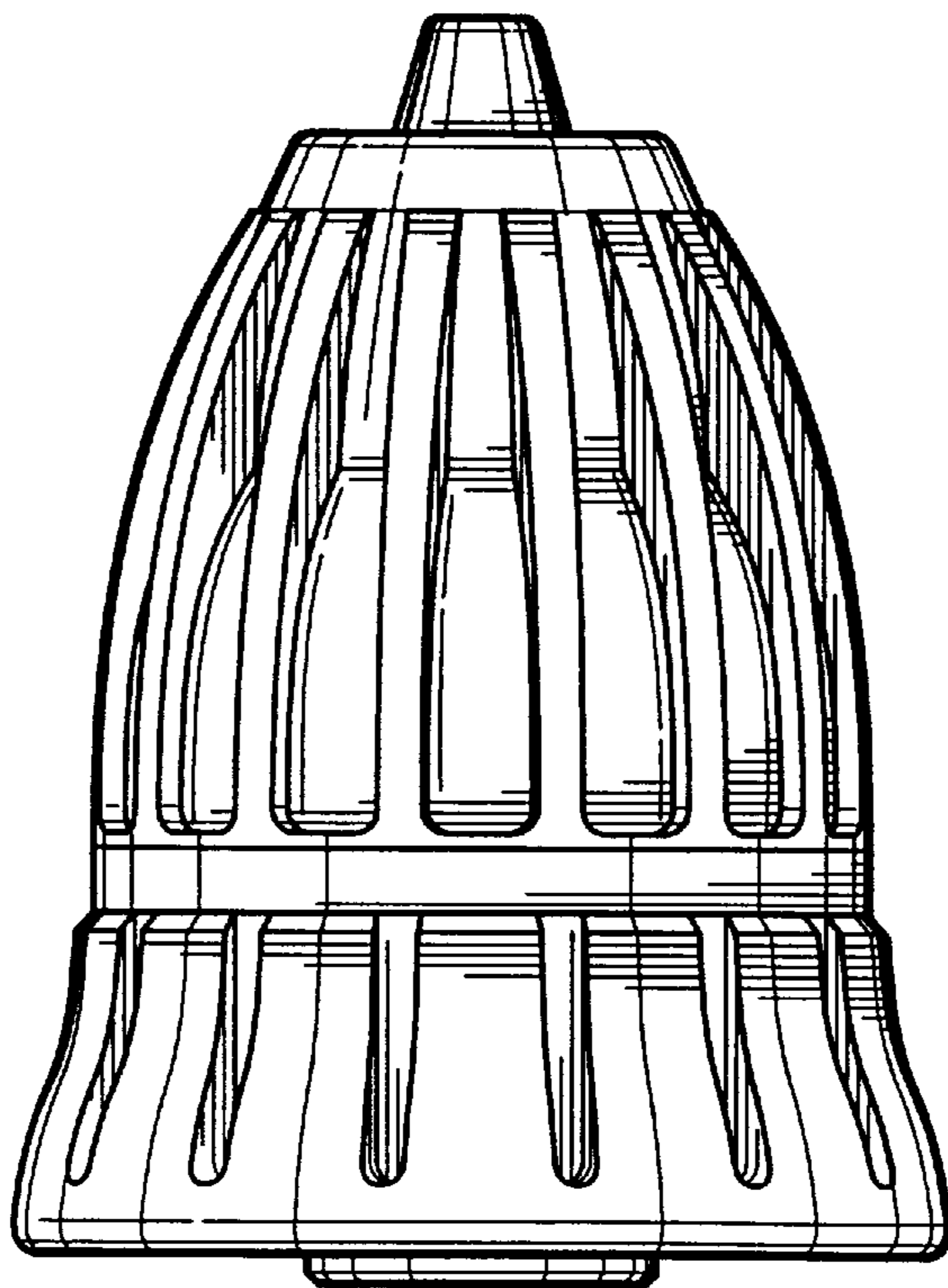


FIG. 3

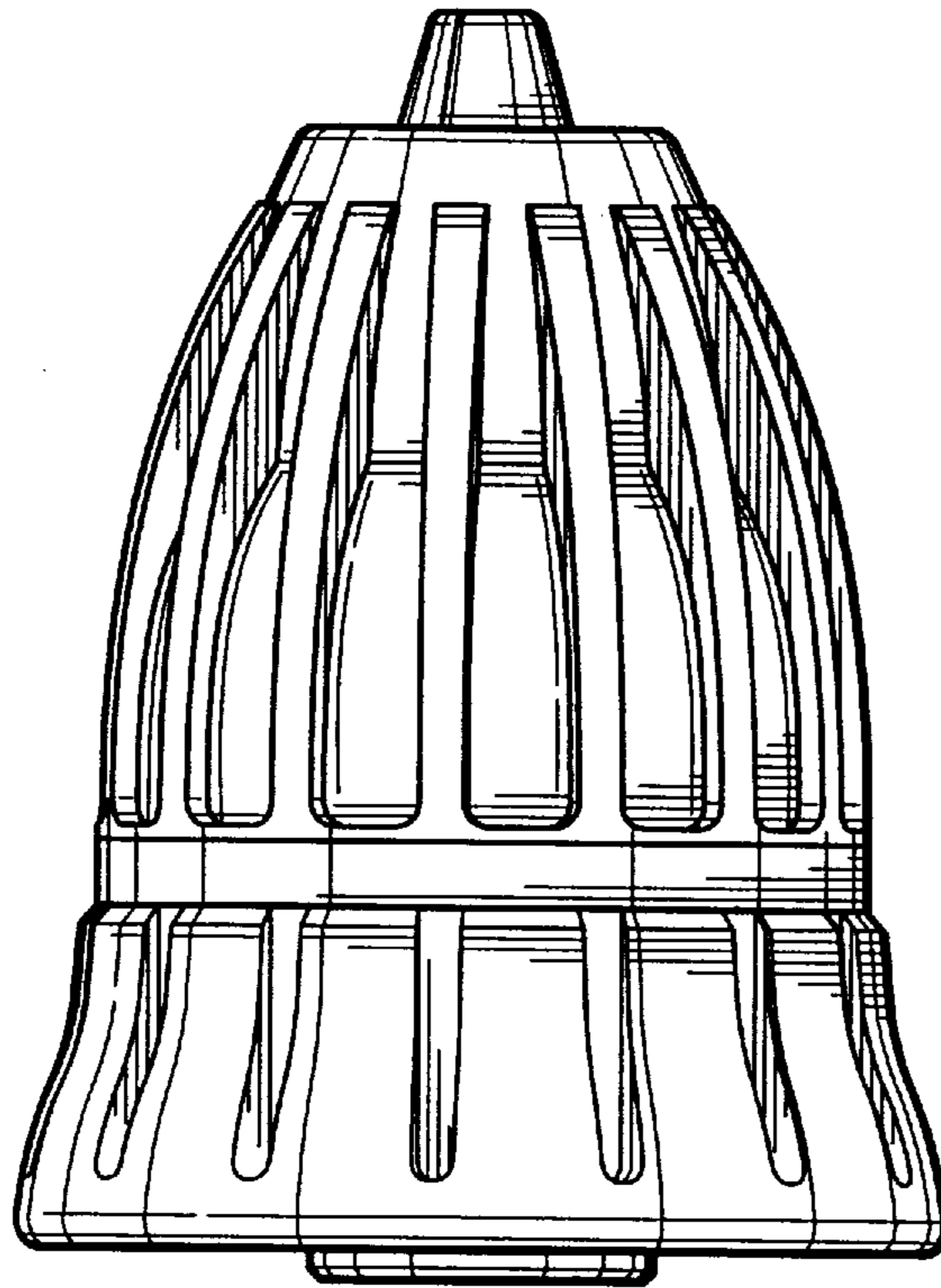


FIG. 4

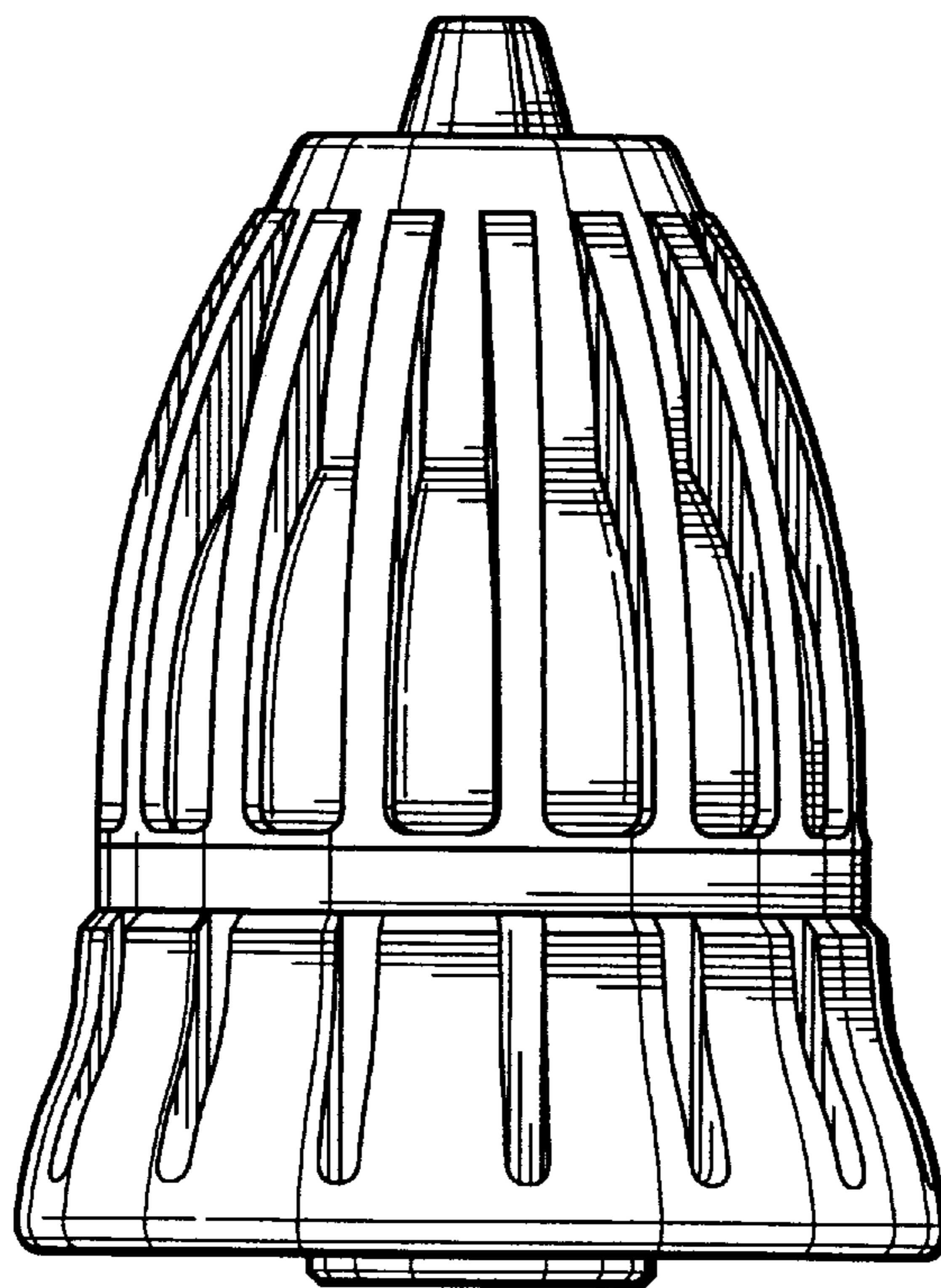


FIG. 5

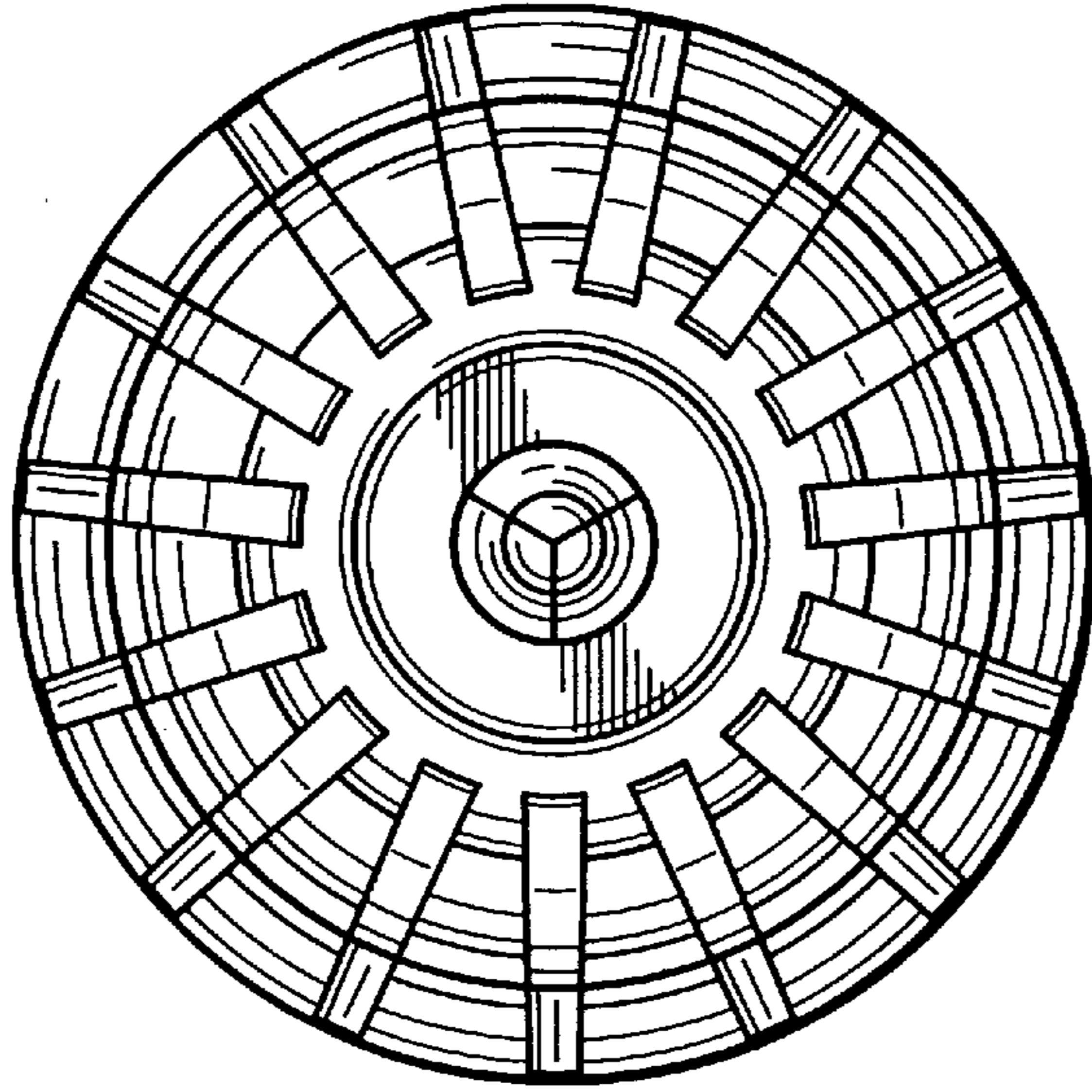


FIG. 6

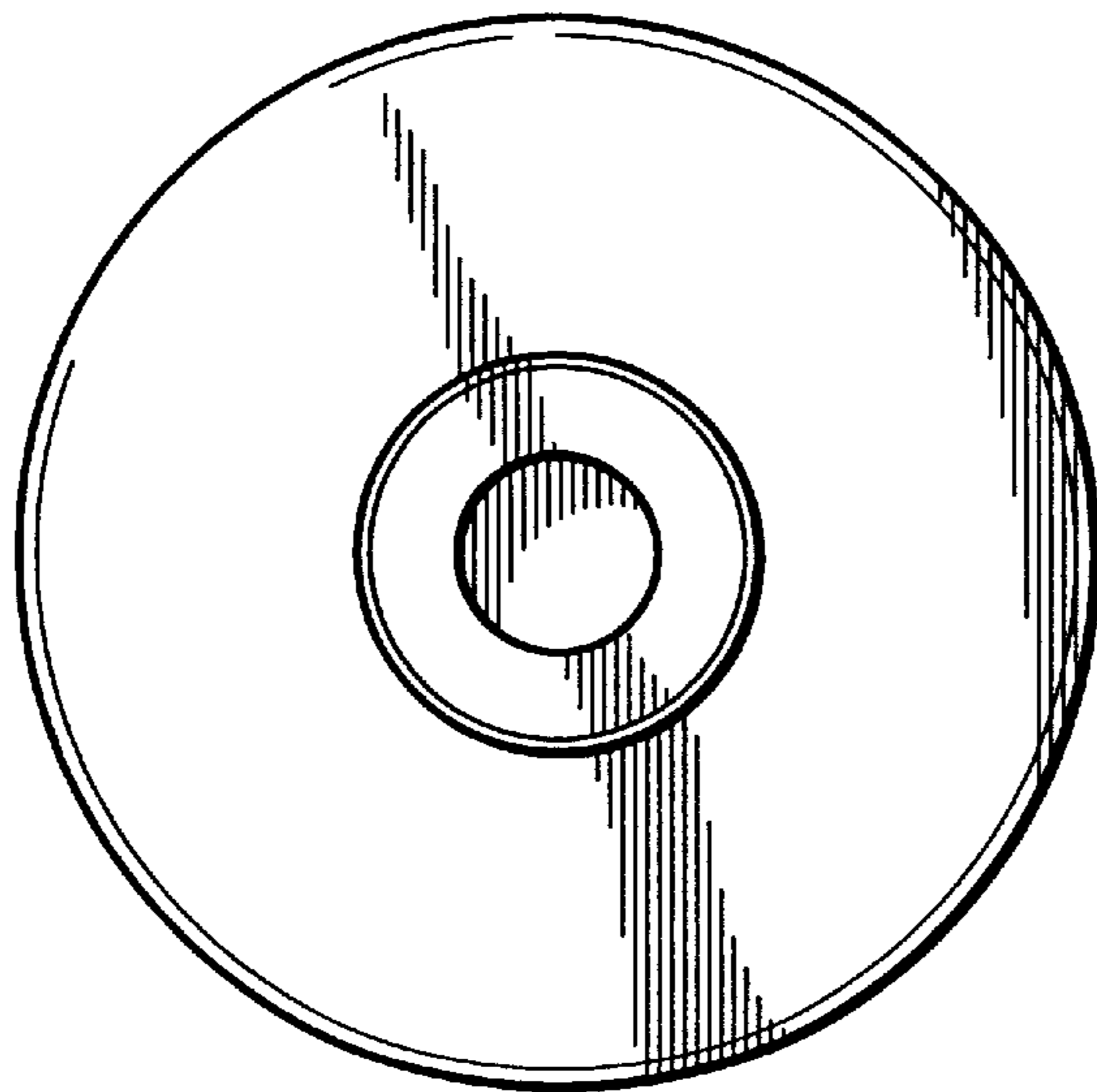


FIG. 7