



US00D400417S

United States Patent [19]
Moran, II

[11] **Patent Number: Des. 400,417**

[45] **Date of Patent: **Nov. 3, 1998**

[54] **TRANSPARENT SAWDUST SPRAY GUARD FOR A HAND-HELD ELECTRIC SAW**

*Primary Examiner—Martie Thompson
Attorney, Agent, or Firm—John P. Moran*

[76] Inventor: **John Patrick Moran, II**, 506 Mitchel, Grays Lake, Ill. 60030

[57] **CLAIM**

[**] Term: **14 Years**

The ornamental design for a transparent sawdust spray guard for a hand-held electric saw, as shown and described.

[21] Appl. No.: **790,691**

DESCRIPTION

[22] Filed: **Nov. 12, 1991**

[51] **LOC (6) Cl.** **08-03**

[52] **U.S. Cl.** **D8/70; D8/66**

[58] **Field of Search** D8/69, 66, 67, D8/70; 30/370, 374, 375, 376, 388, 390, 391

FIG. 1 is a front elevational view of a transparent guard in place on a hand-held electric saw, showing my new design; FIG. 2 is a top plan view of the transparent guard in place on a hand-held electric saw;

FIG. 3 is a perspective view of the transparent guard; FIG. 4 is a rear elevational view of the transparent guard; FIG. 5 is an end elevational view of the transparent guard; FIG. 6 is a bottom view of the transparent guard; and, FIG. 7 is a top view of the transparent guard in FIG. 2.

The broken line showing of the hand-held saw is for illustrative purposes only and forms no part of the claimed design.

[56] **References Cited**

PUBLICATIONS

Skil Power Tool catalog, dated Jan. 26, 1970 p. 18, Model 367.

Montgomery Ward catalog Spring & Summer 1985 Table-saw.

1 Claim, 1 Drawing Sheet

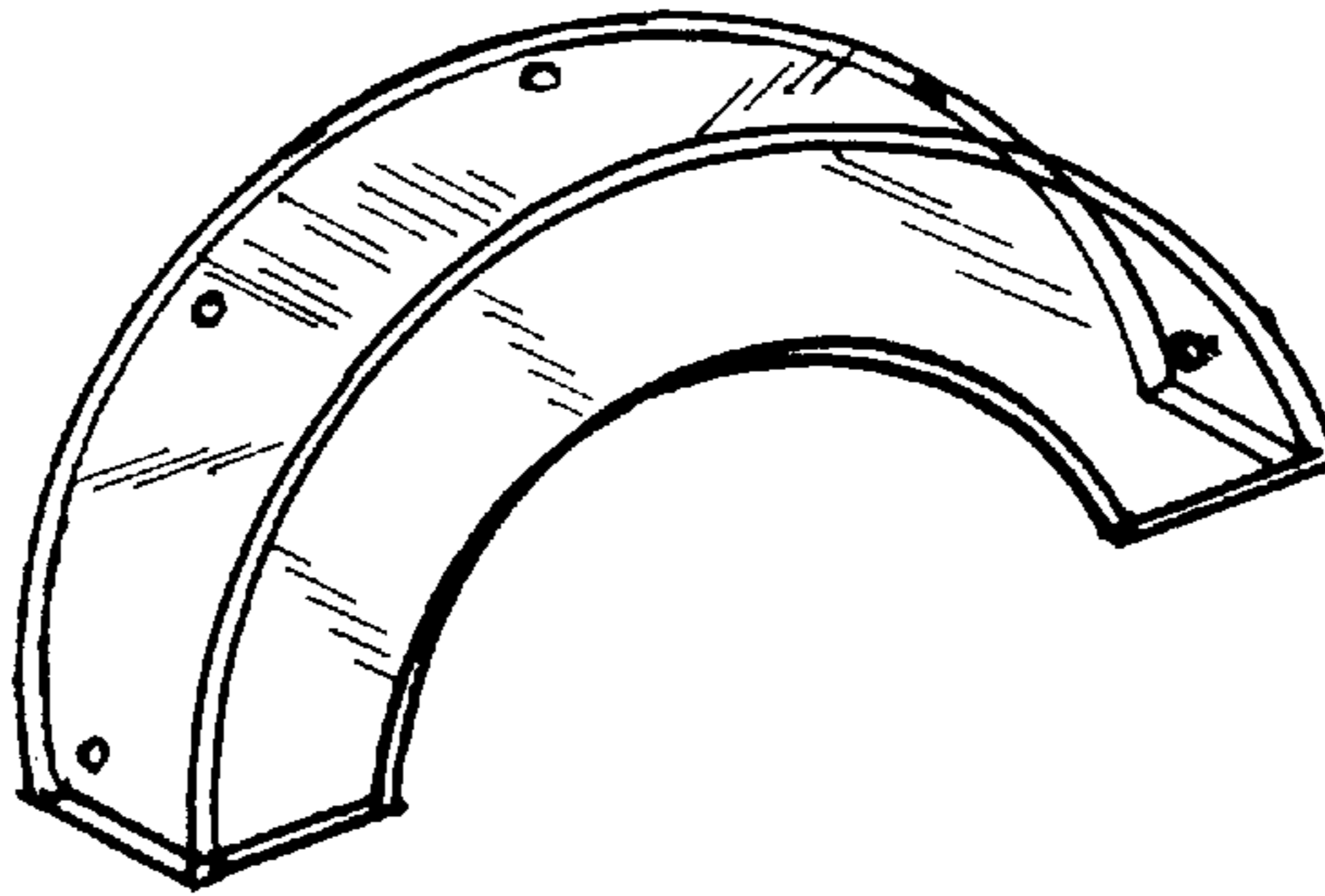


FIG. 1

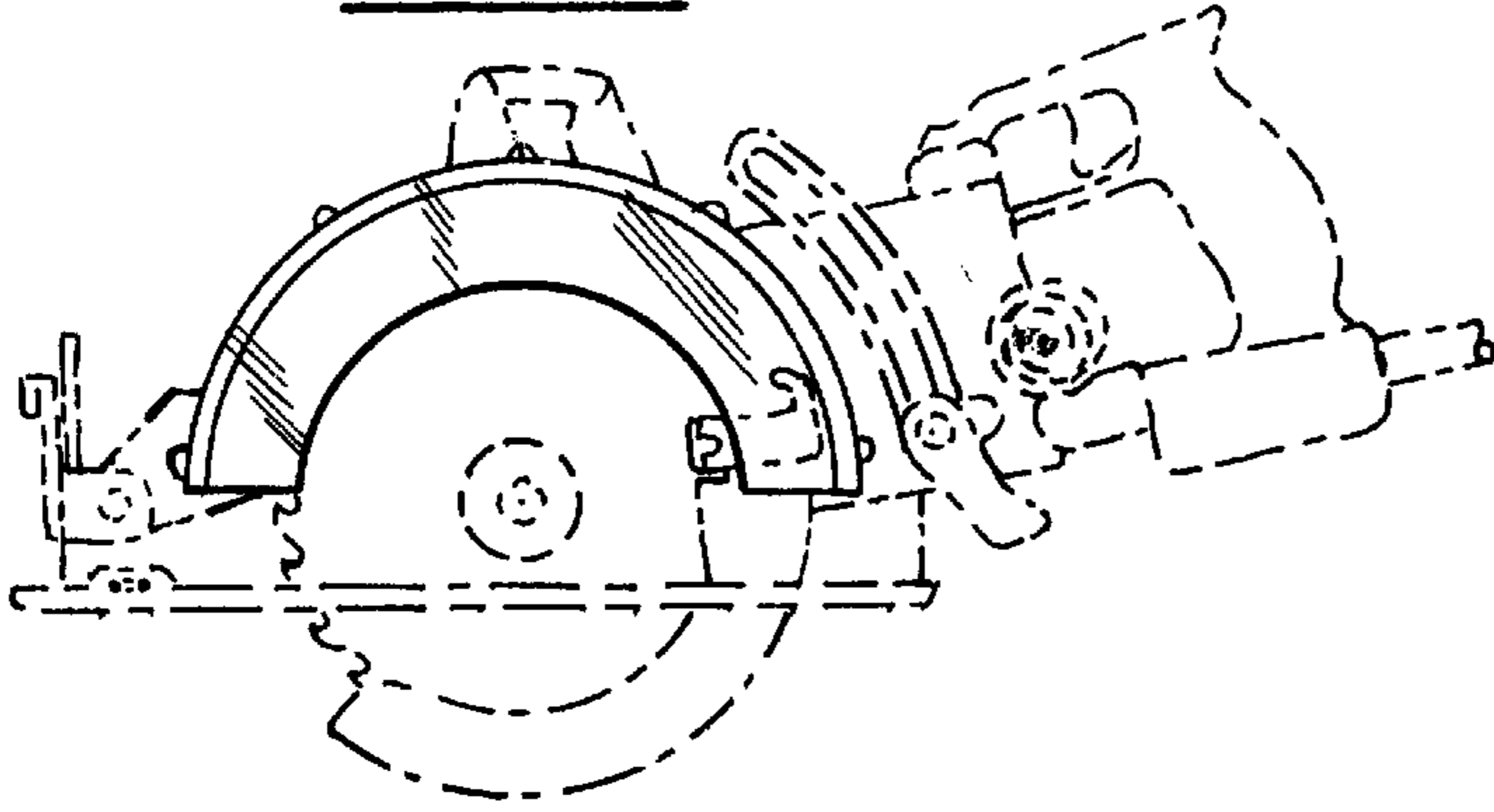


FIG. 3

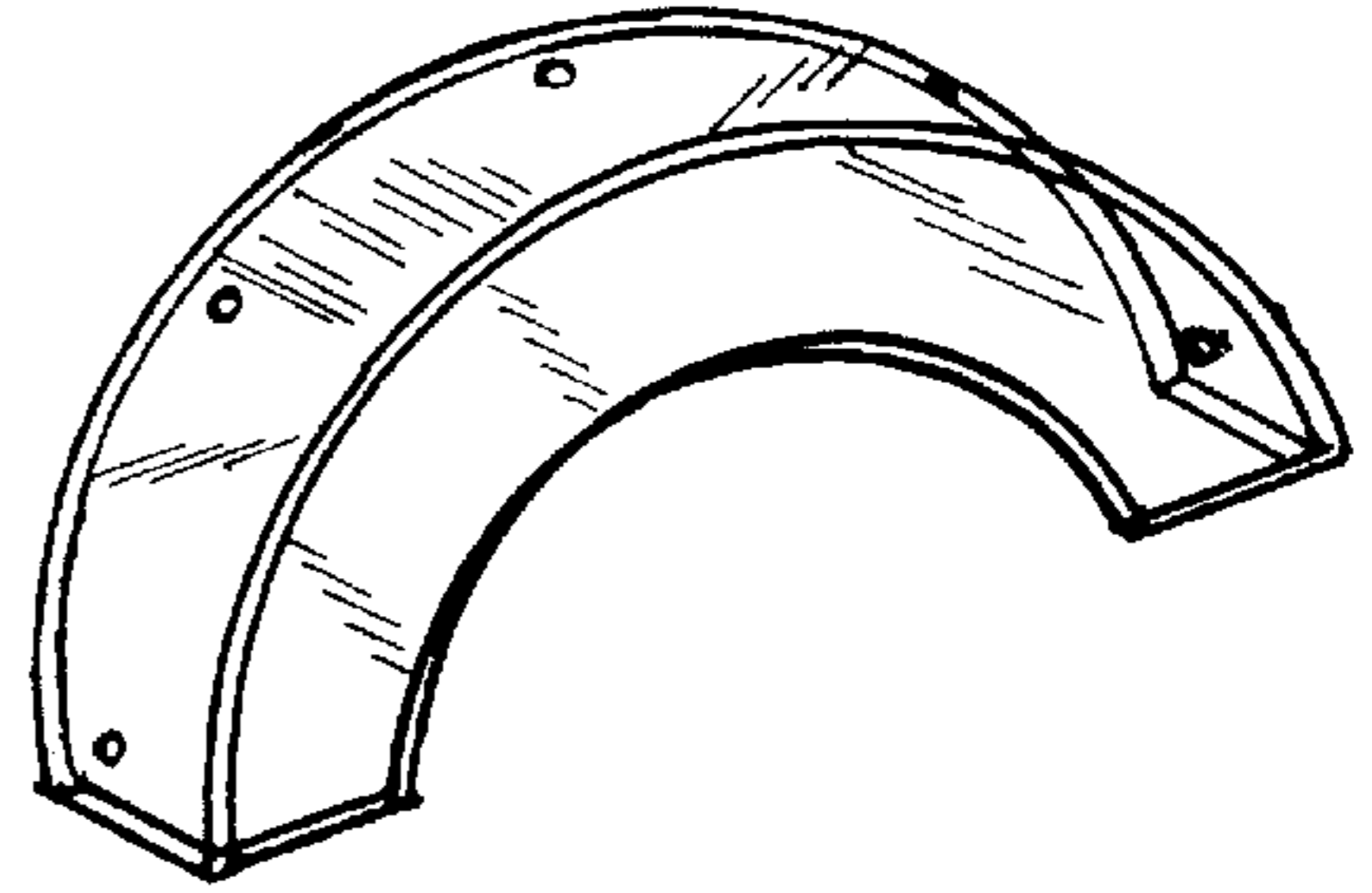


FIG. 2

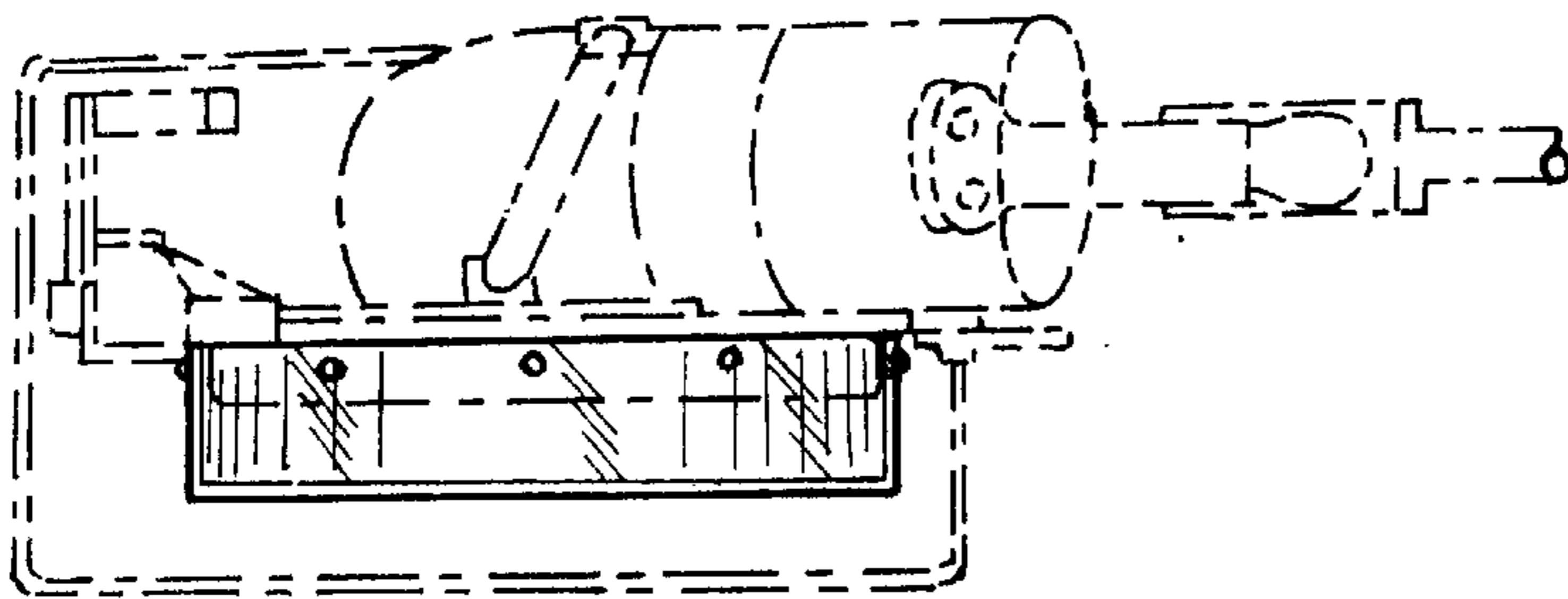


FIG. 4

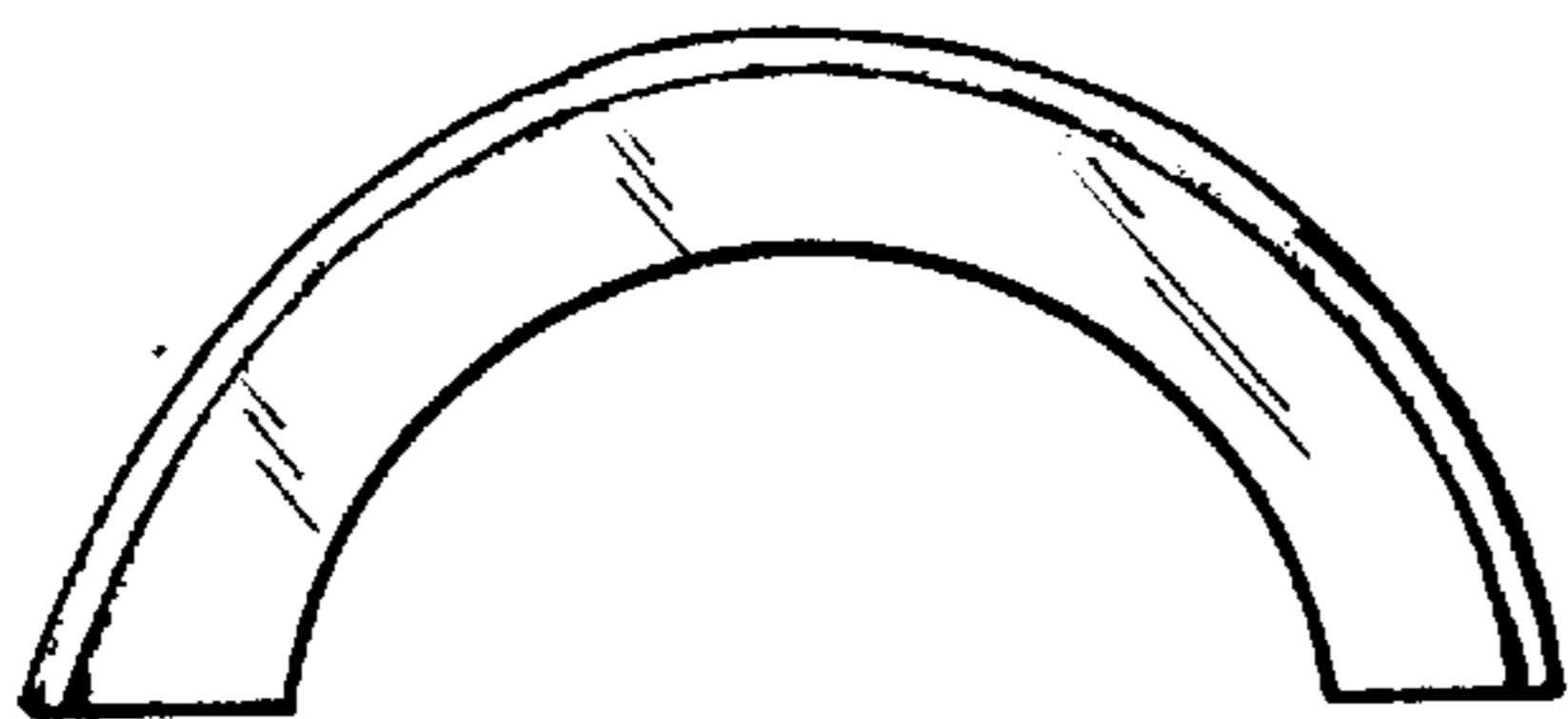


FIG. 5

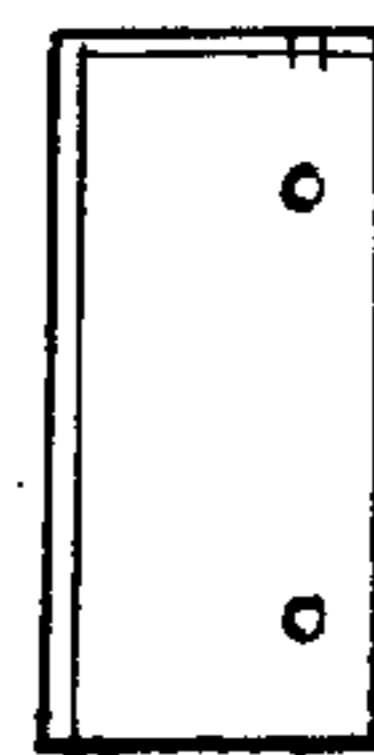


FIG. 6

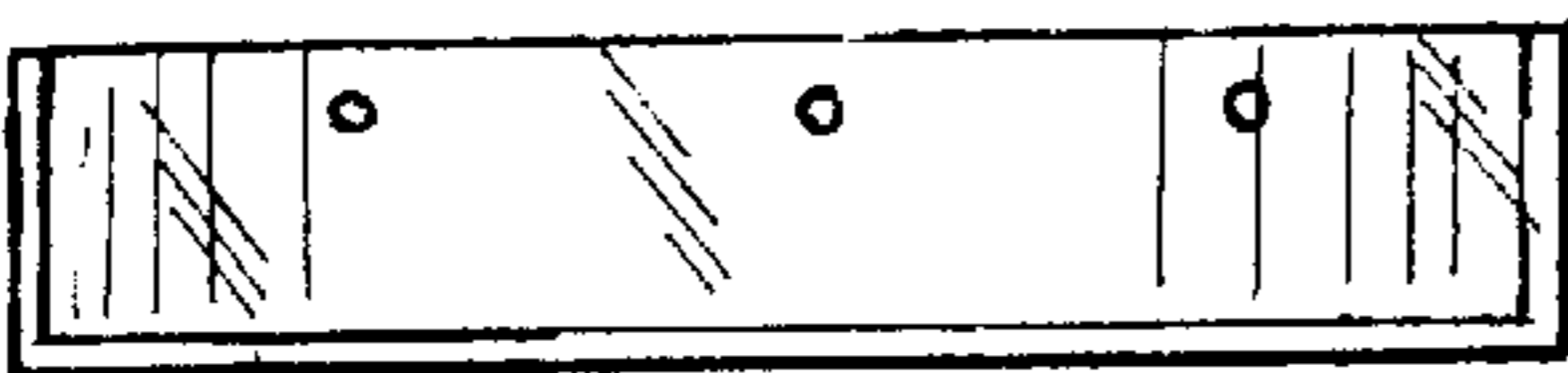


FIG. 7

