



US00D400415S

United States Patent [19] Zurwelle

[11] **Patent Number: Des. 400,415**

[45] **Date of Patent: **Nov. 3, 1998**

[54] **DRILL**

[75] Inventor: **Donald W. Zurwelle**, Lutherville, Md.

[73] Assignee: **Black & Decker Inc.**, Newark, Del.

[**] Term: **14 Years**

[21] Appl. No.: **80,458**

[22] Filed: **Dec. 11, 1997**

Related U.S. Application Data

[63] Continuation-in-part of Ser. No. 67,024, Feb. 28, 1997, Pat. No. Des. 396,621.

[51] **LOC (6) Cl. 08-03**

[52] **U.S. Cl. D8/68**

[58] **Field of Search D8/68; 74/371; 81/57.11, 57.13, 57.14, 57.43, 177.3, 436, 438; 178/178, 217**

[56] References Cited

U.S. PATENT DOCUMENTS

- D. 280,797 10/1985 Sakamoto et al. .
- D. 280,883 10/1985 Sakamoto et al. .
- D. 304,287 10/1989 Zurwelle .
- D. 316,021 4/1991 Bunyea .
- D. 319,763 9/1991 Reiferscheid .
- D. 325,861 5/1992 Saito et al. .
- D. 328,411 8/1992 Cavedo .
- D. 337,710 7/1993 Liu et al. .
- D. 337,711 7/1993 Ogawa et al. .
- D. 339,727 9/1993 Kikuchi .
- D. 342,878 1/1994 Watanabe et al. D8/68

D. 344,000 2/1994 Shibata et al. .

D. 353,526 12/1994 Hoshino .

D. 384,262 9/1997 Hayakawa et al. D8/68

OTHER PUBLICATIONS

Black & Decker 1994 Catalog (Industry & Construction), p. 28 (Model 1166—Drill).

Bosch 1995 Catalog, p. 7 (Model No. 1024VSR—Drill).

Makita 1993 Catalog, p. 63 (Model No. 6501—Drill).

Milwaukee 1995 Electric Tools Catalog 195 (For Contractors and Industry, p. 12 (Model No. 0227-1—Drill).

Porter Cable 1994 Catalog, p. 53 (Model No. 2601—Drill).

Skil Heavy Duty 1995 Catalog, p. 39 (Model No. 6345:44—Drill).

Primary Examiner—Antoine Duval Davis

Attorney, Agent, or Firm—Dennis A. Dearing; John D. Del Ponti; Bruce S. Shapiro

[57] CLAIM

The ornamental design for a drill, as shown and described.

DESCRIPTION

FIG. 1 is a front perspective view of a drill showing my new design;

FIG. 2 is a right side elevational view thereof;

FIG. 3 is a left side elevational view thereof;

FIG. 4 is a top plan view thereof;

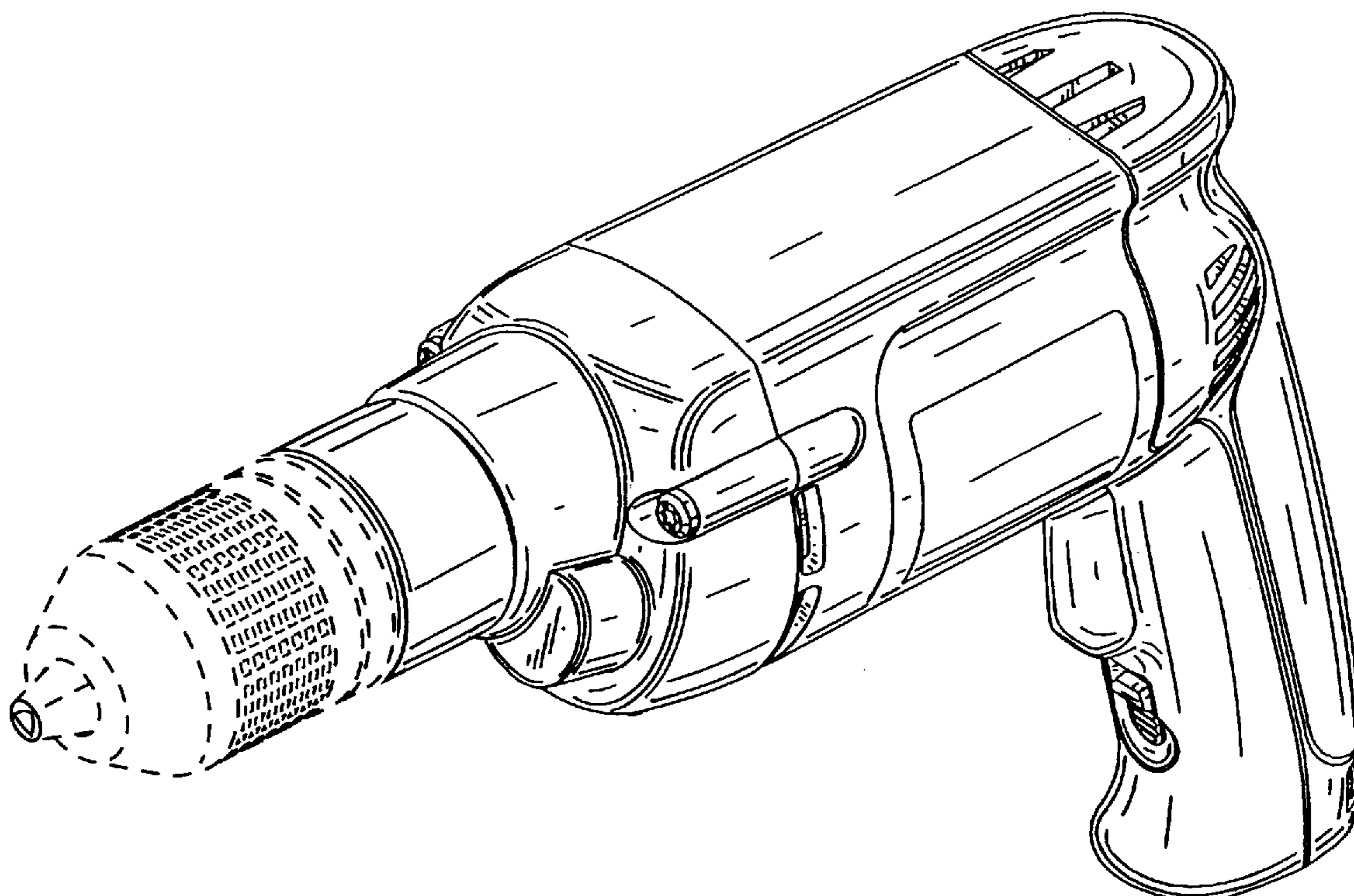
FIG. 5 is a bottom plan view thereof;

FIG. 6 is a front elevational view thereof; and,

FIG. 7 is a rear elevational view thereof.

The broken line showing of a chuck is for illustrative purposes only and forms no part of the claimed design.

1 Claim, 5 Drawing Sheets



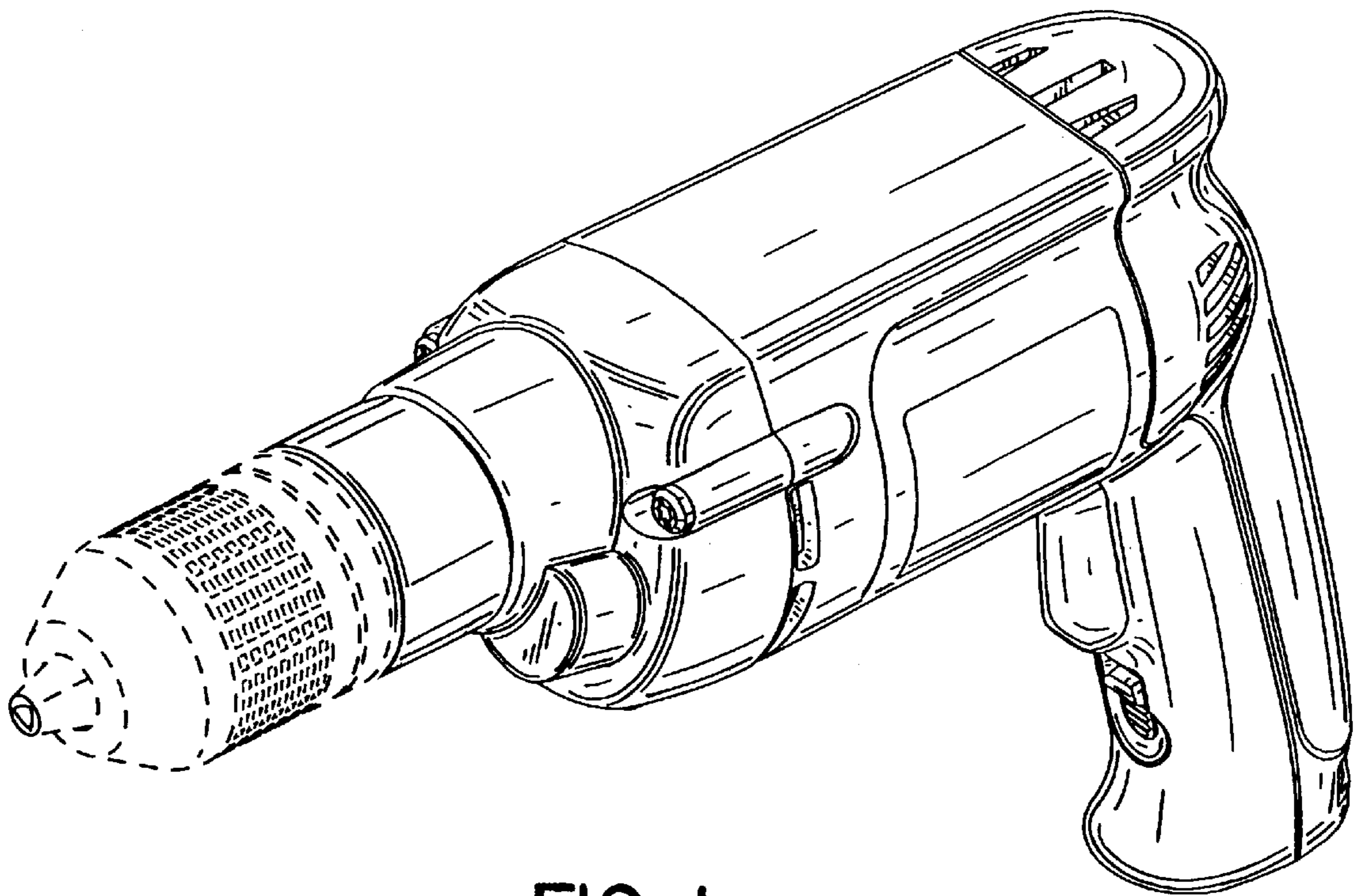


FIG. 1

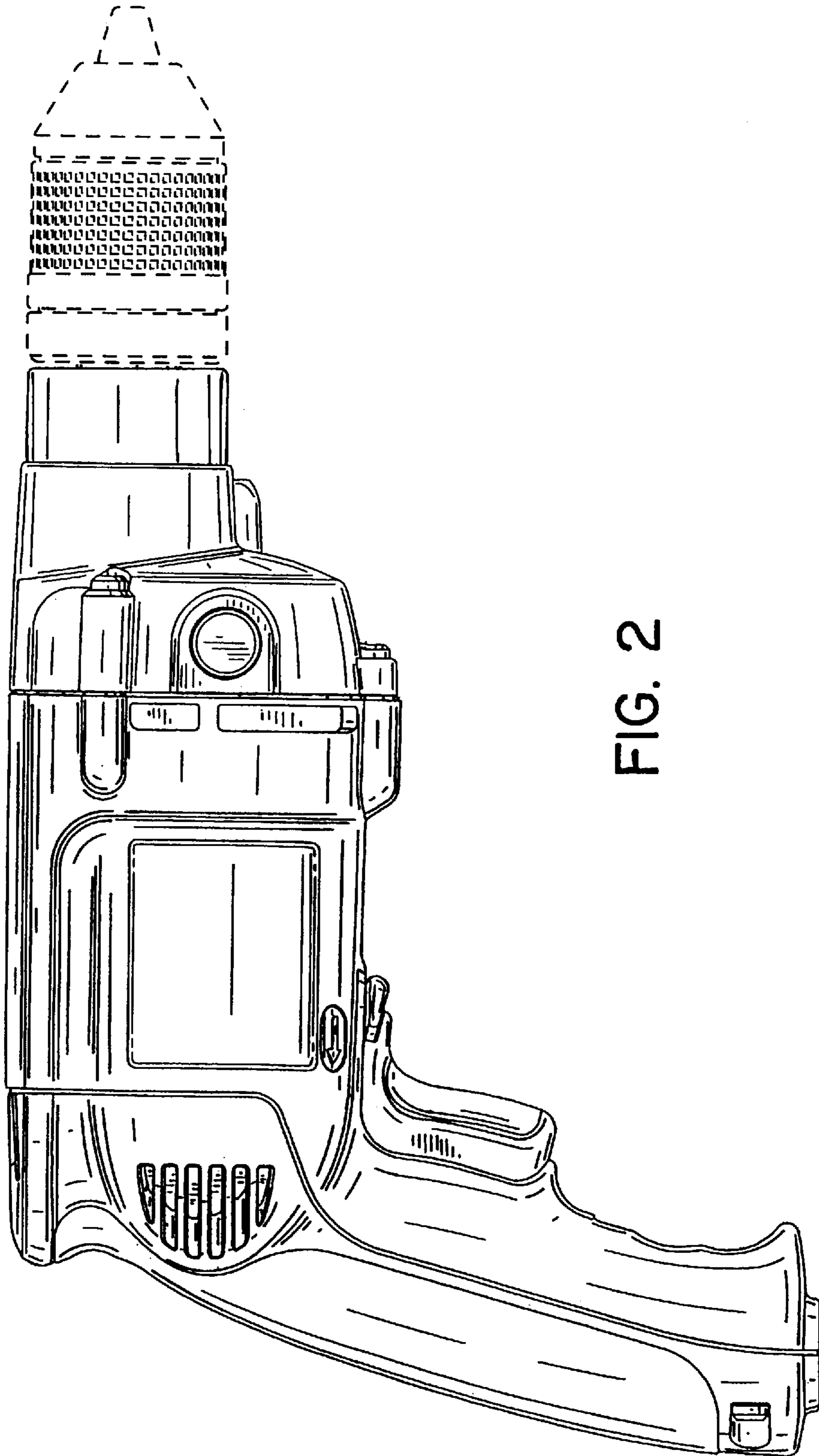


FIG. 2

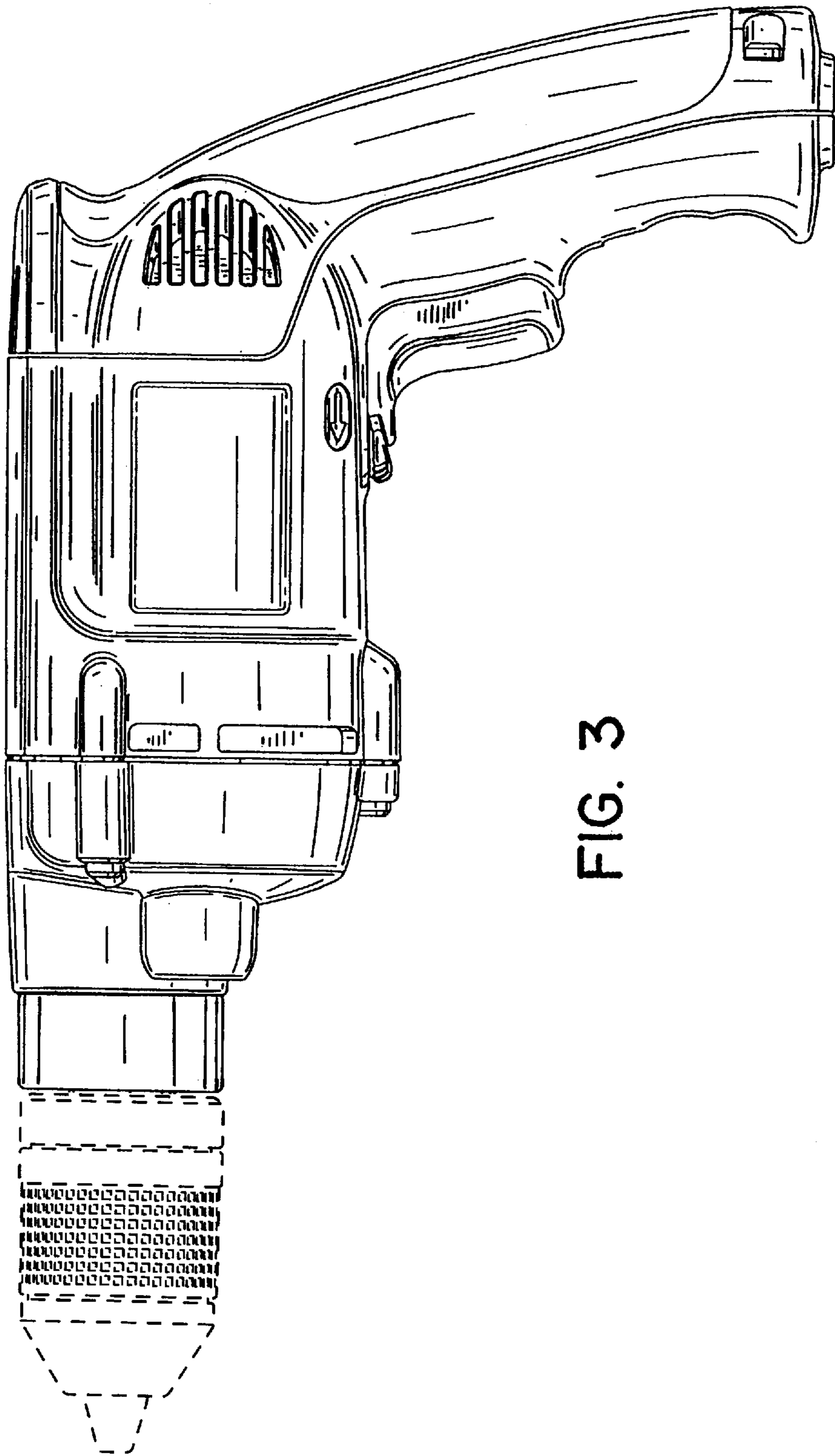


FIG. 3

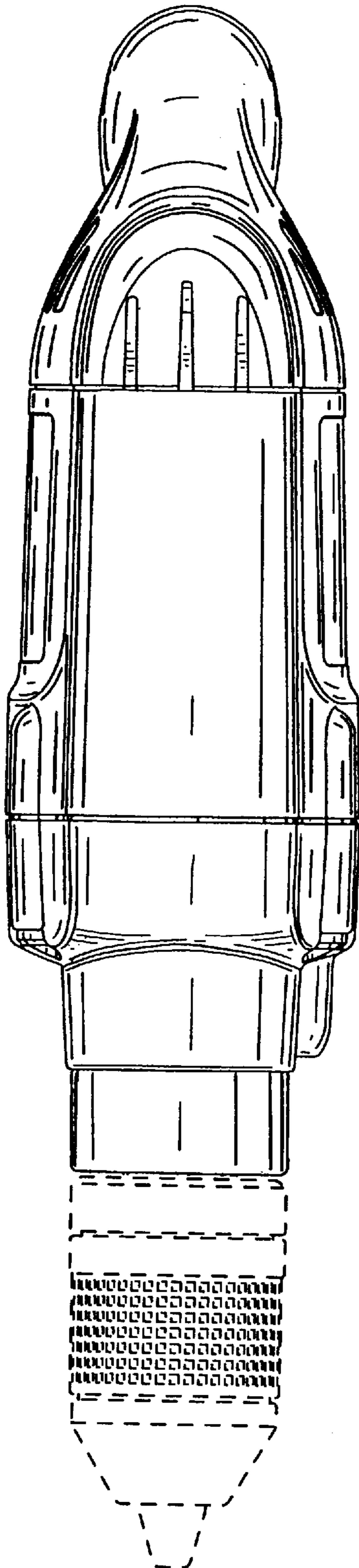


FIG. 4

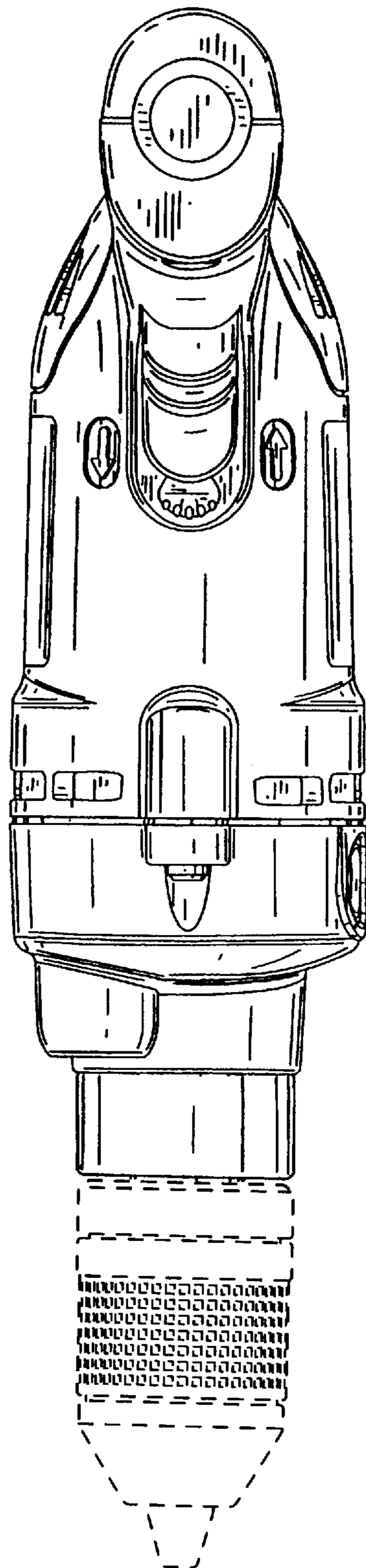


FIG. 5

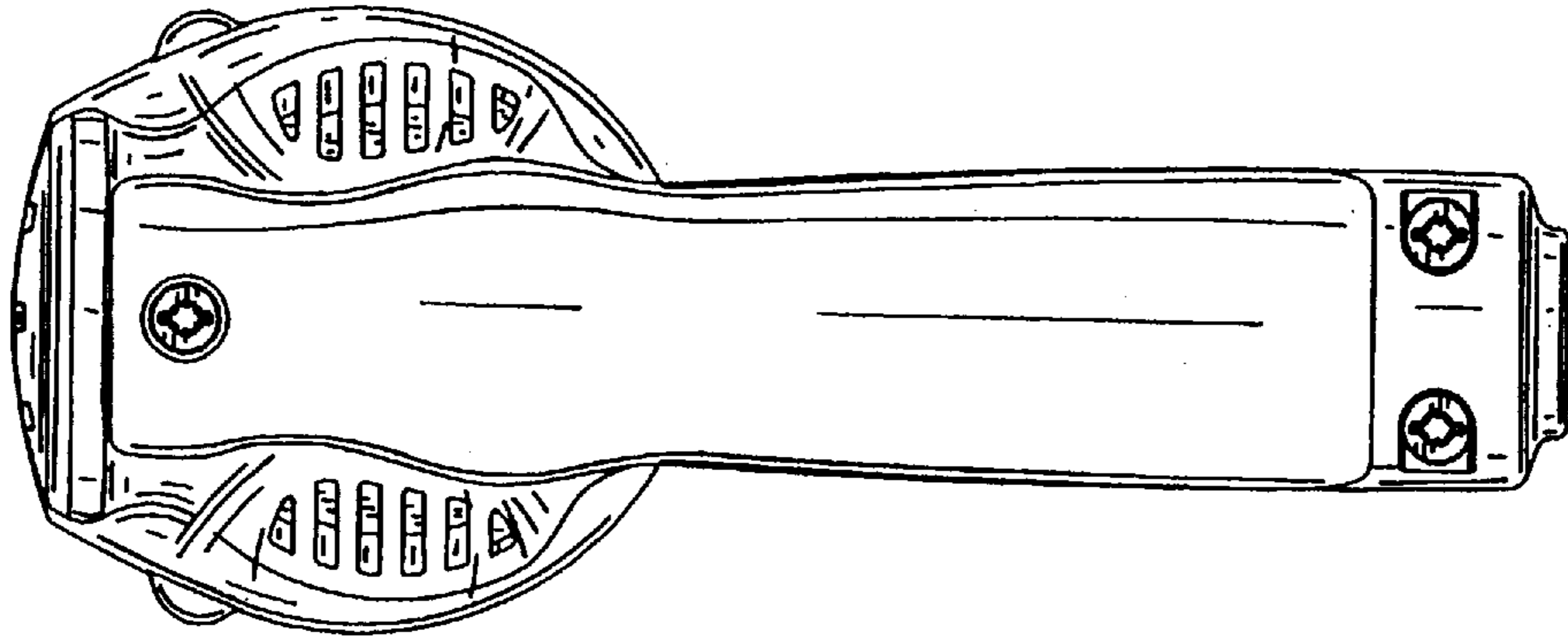


FIG. 6

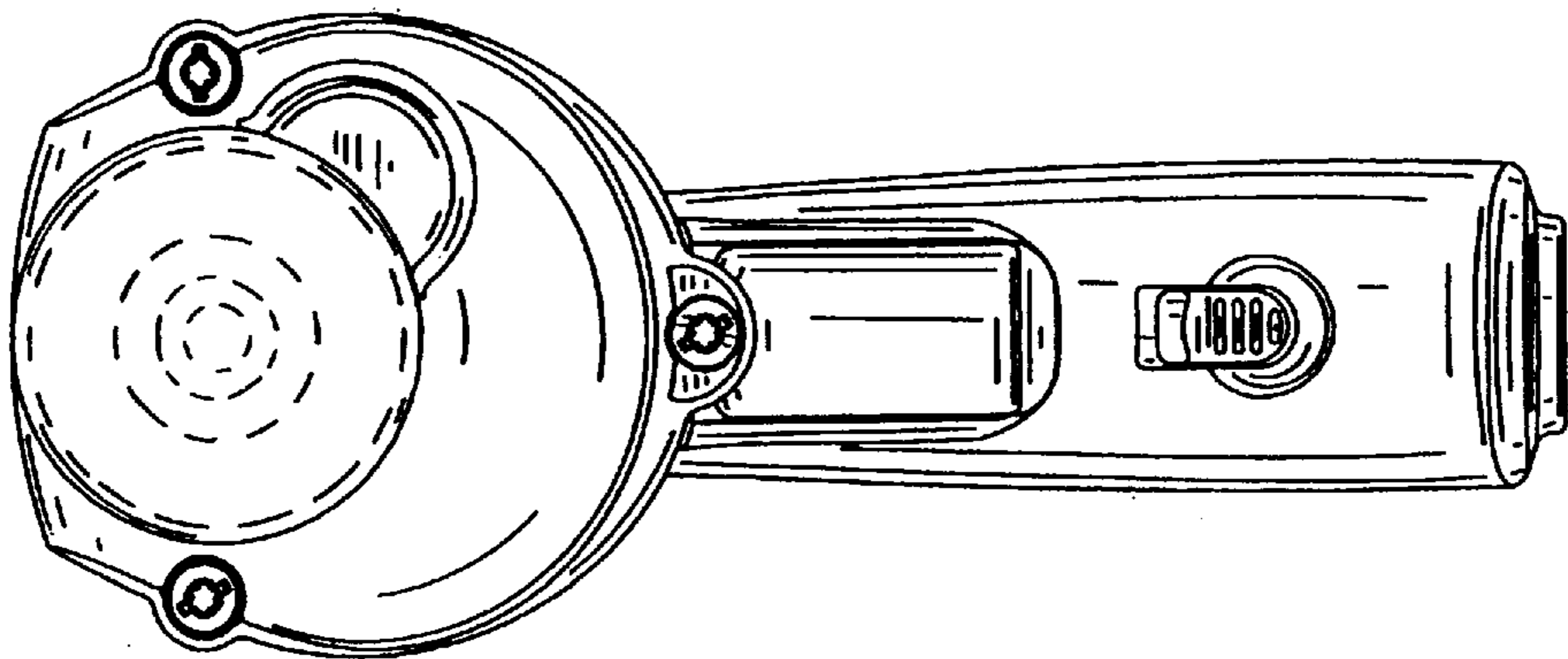


FIG. 7