



US00D400414S

United States Patent [19]

Wilson et al.

[11] **Patent Number: Des. 400,414**

[45] **Date of Patent: **Nov. 3, 1998**

[54] **FLEXIBLE LINE CLAMP**

2,630,729 3/1953 Arneu 81/333
4,643,054 2/1987 Nelson 81/333

[75] Inventors: **Mark Stephen Wilson; David James Mitchell**, both of Queensland, Australia

OTHER PUBLICATIONS

[73] Assignee: **ABW Australia Pty, Ltd.**, Salisbury, Australia

ABW Australia Pty. Ltd. Catalog, pp. 13 and 20 (admitted prior art).

[**] Term: **14 Years**

Primary Examiner—B. J. Bullock
Attorney, Agent, or Firm—Panitch Schwarze Jacobs & Nadel, P.C.

[21] Appl. No.: **67,260**

[22] Filed: **Feb. 18, 1997**

[57] CLAIM

[51] **LOC (6) Cl.** **08-05**

[52] **U.S. Cl.** **D8/58; D8/72; D8/394**

The ornamental design for a flexible line clamp, as shown and described.

[58] **Field of Search** D8/71, 72, 58, D8/394-6; 269/90, 95, 96, 203, 257; 81/333

DESCRIPTION

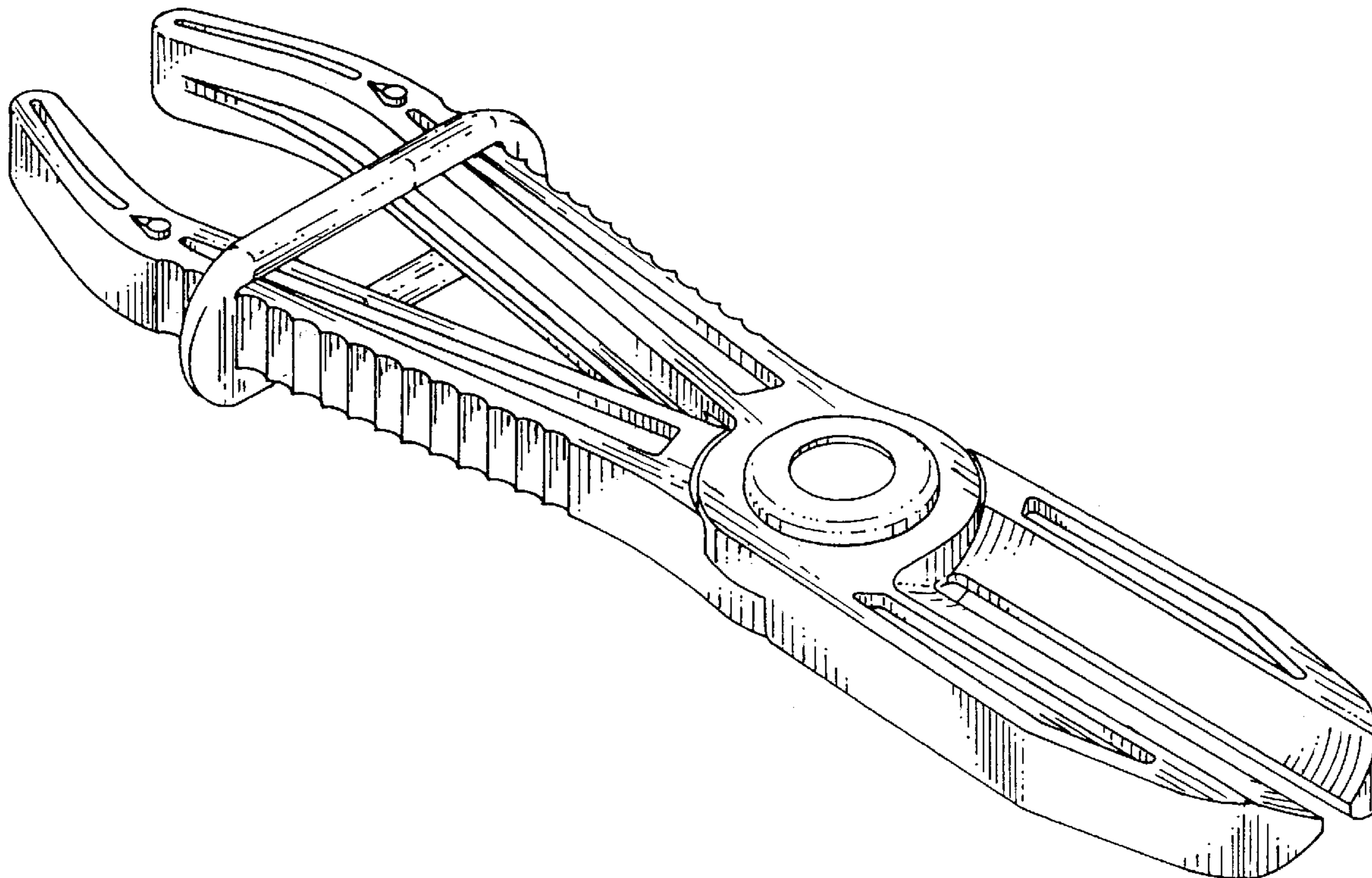
[56] References Cited

U.S. PATENT DOCUMENTS

- D. 135,629 5/1943 Michael D8/394
- D. 251,769 5/1979 Dobias D8/58
- 511,091 12/1893 Neuhaus .
- 715,014 12/1902 Burgess .
- 1,006,755 10/1911 James .

FIG. 1 is a top perspective view of a flexible line clamp showing our new design;
FIG. 2 is a bottom perspective view thereof;
FIG. 3 is an enlarged top plan view thereof;
FIG. 4 is an enlarged inverted plan view thereof; and,
FIG. 5 is an enlarged side view thereof, both side being identical.

1 Claim, 4 Drawing Sheets



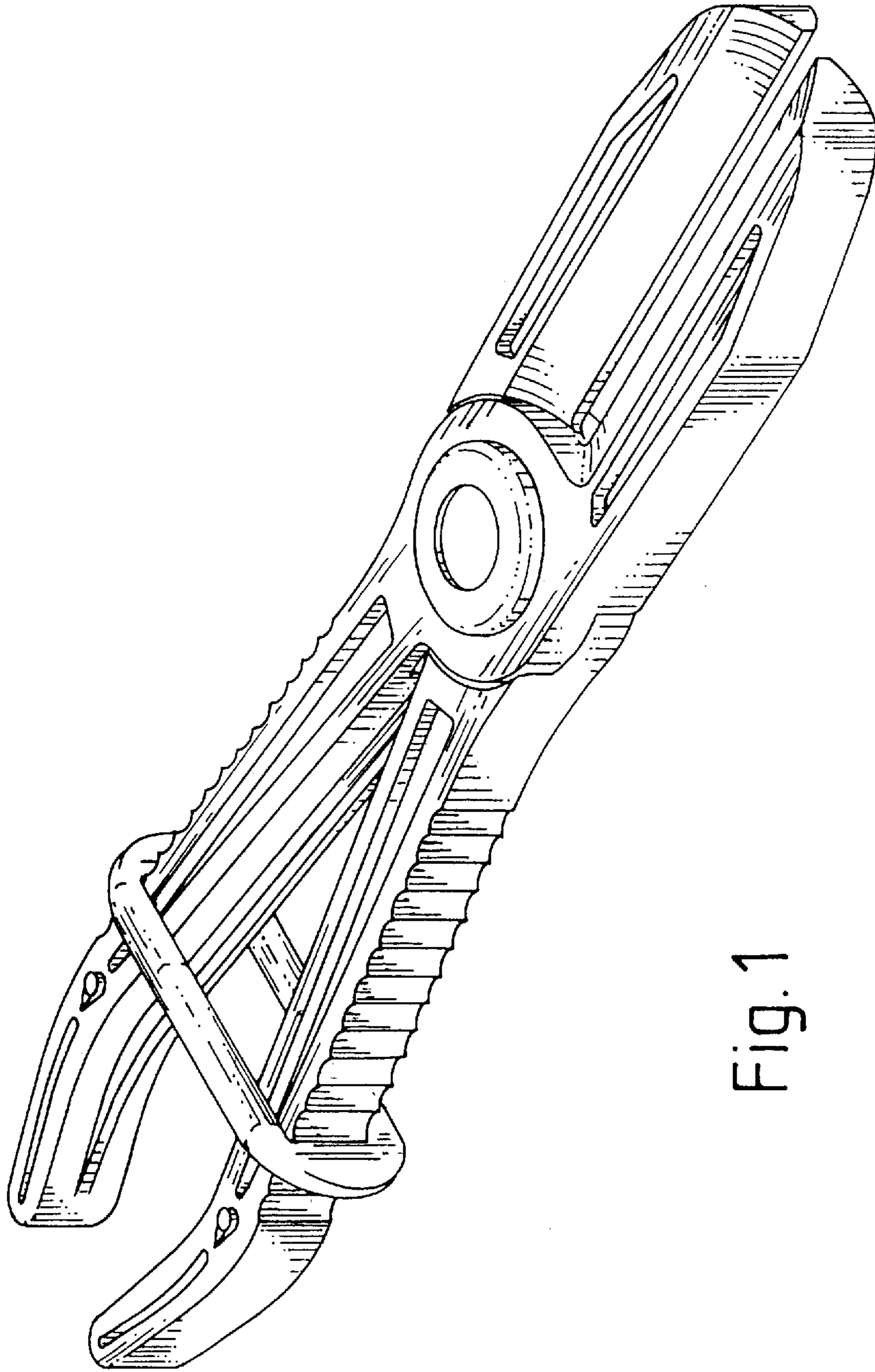


Fig. 1

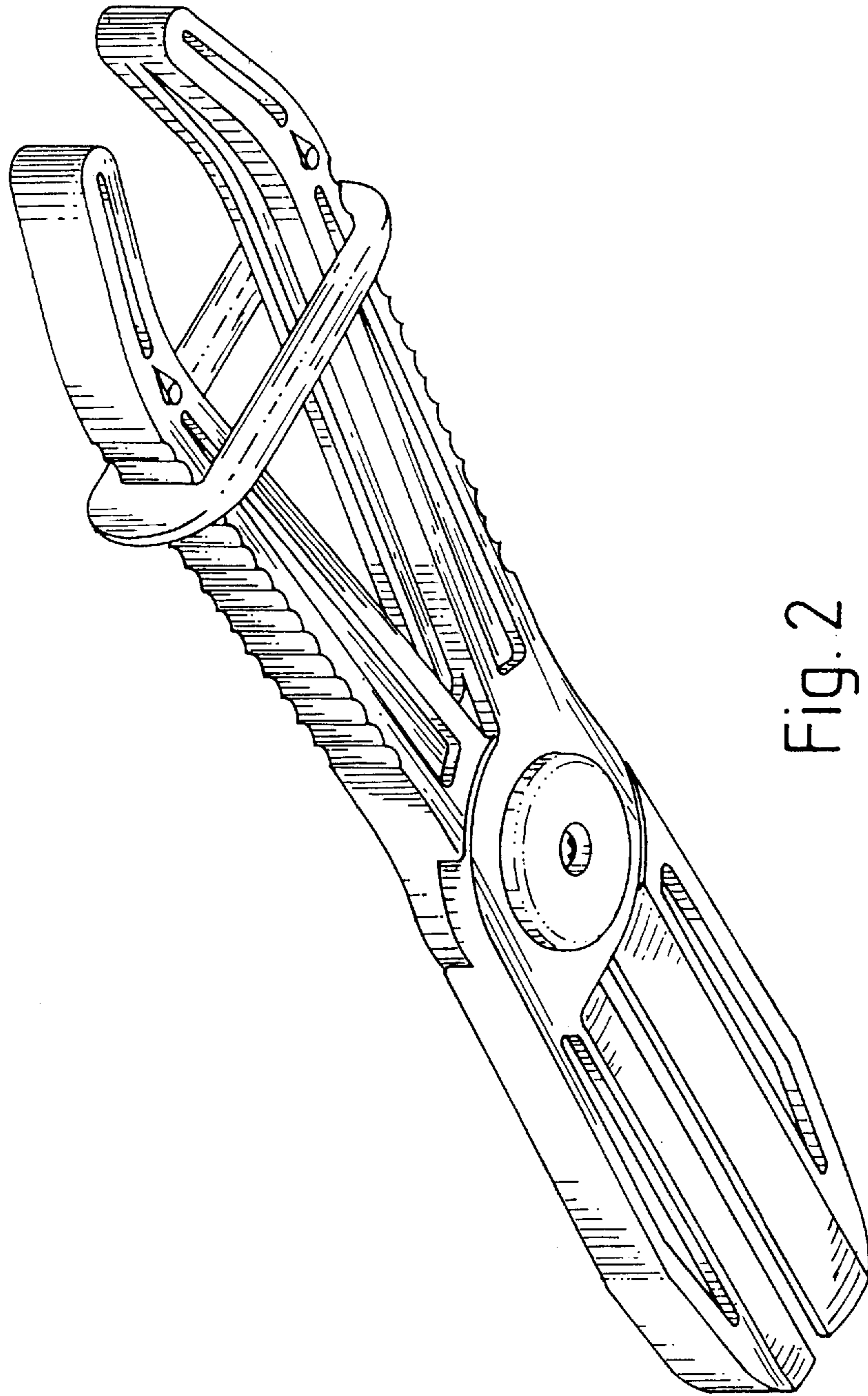


Fig. 2

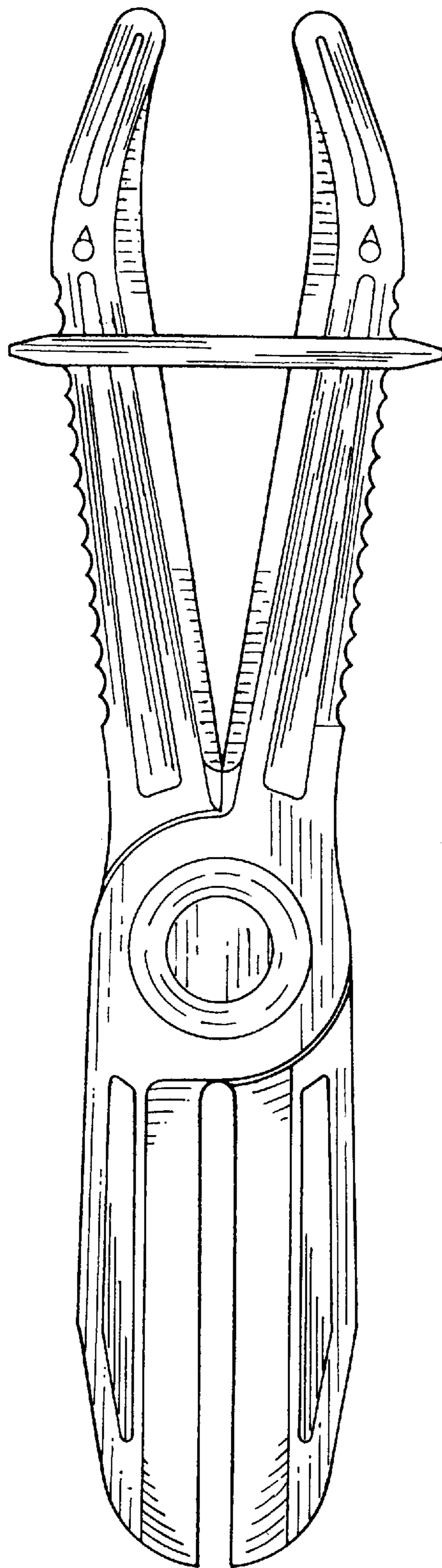


Fig. 3

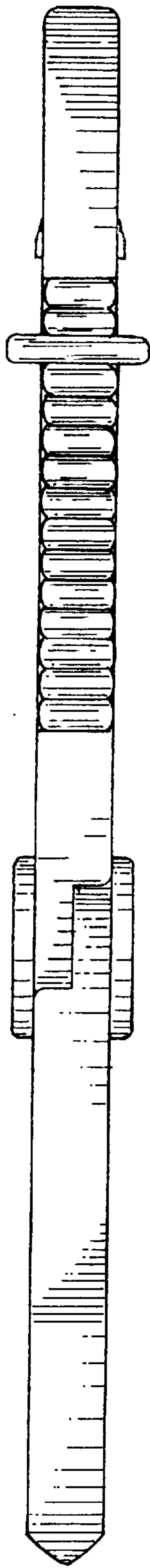


Fig. 5

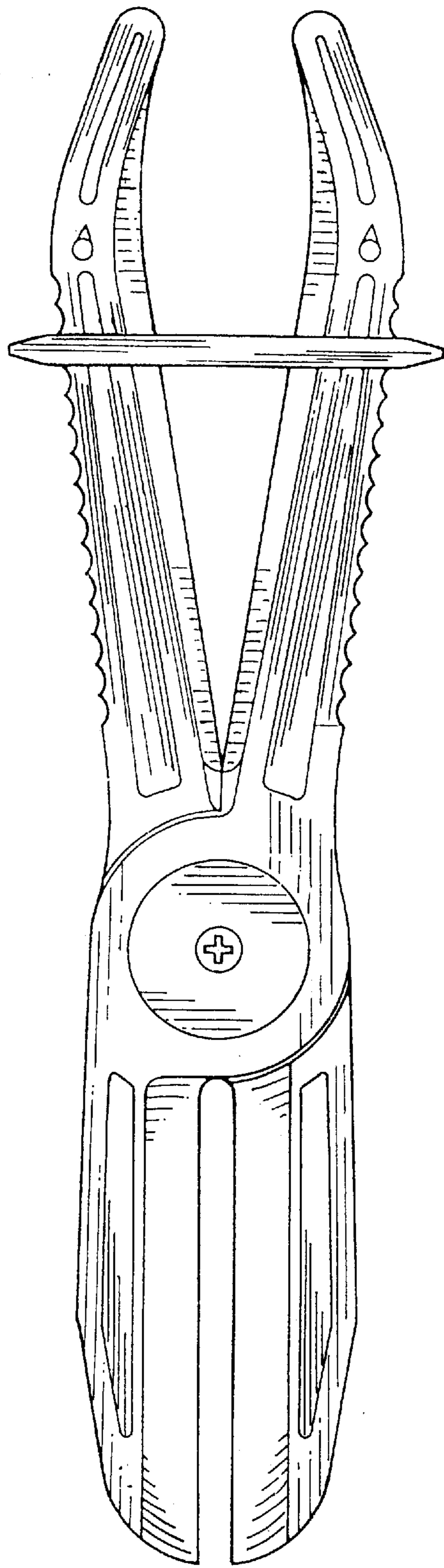


Fig. 4