

US00D400410S

# United States Patent [19] Soto

[11] **Patent Number: Des. 400,410**

[45] **Date of Patent: \*\*Nov. 3, 1998**

[54] **SHOVEL**

[76] **Inventor: David Soto, 13069 Shenley St., Syl.Mar, Calif. 91342**

[\*\*] **Term: 14 Years**

[21] **Appl. No.: 81,159**

[22] **Filed: Dec. 23, 1997**

[51] **LOC (6) Cl. .... 08-05**

[52] **U.S. Cl. .... D8/10**

[58] **Field of Search ..... D8/10, 107; 294/49, 294/54.5, 55.5, 57, 55**

[56] **References Cited**

**U.S. PATENT DOCUMENTS**

D. 358,309	5/1995	Roe .....	D8/10
842,032	1/1907	Shovel .	
1,367,032	2/1921	Ferdon .....	294/49
2,432,643	12/1947	Wotring .....	294/49

2,960,230	11/1960	Fracker .....	209/419
4,988,005	1/1991	Graham .....	294/55 X
5,248,153	9/1993	Jones .....	294/55 X
5,306,061	4/1994	Ives .....	294/49

*Primary Examiner—Holly Baynham  
Attorney, Agent, or Firm—Goldstein & Associates*

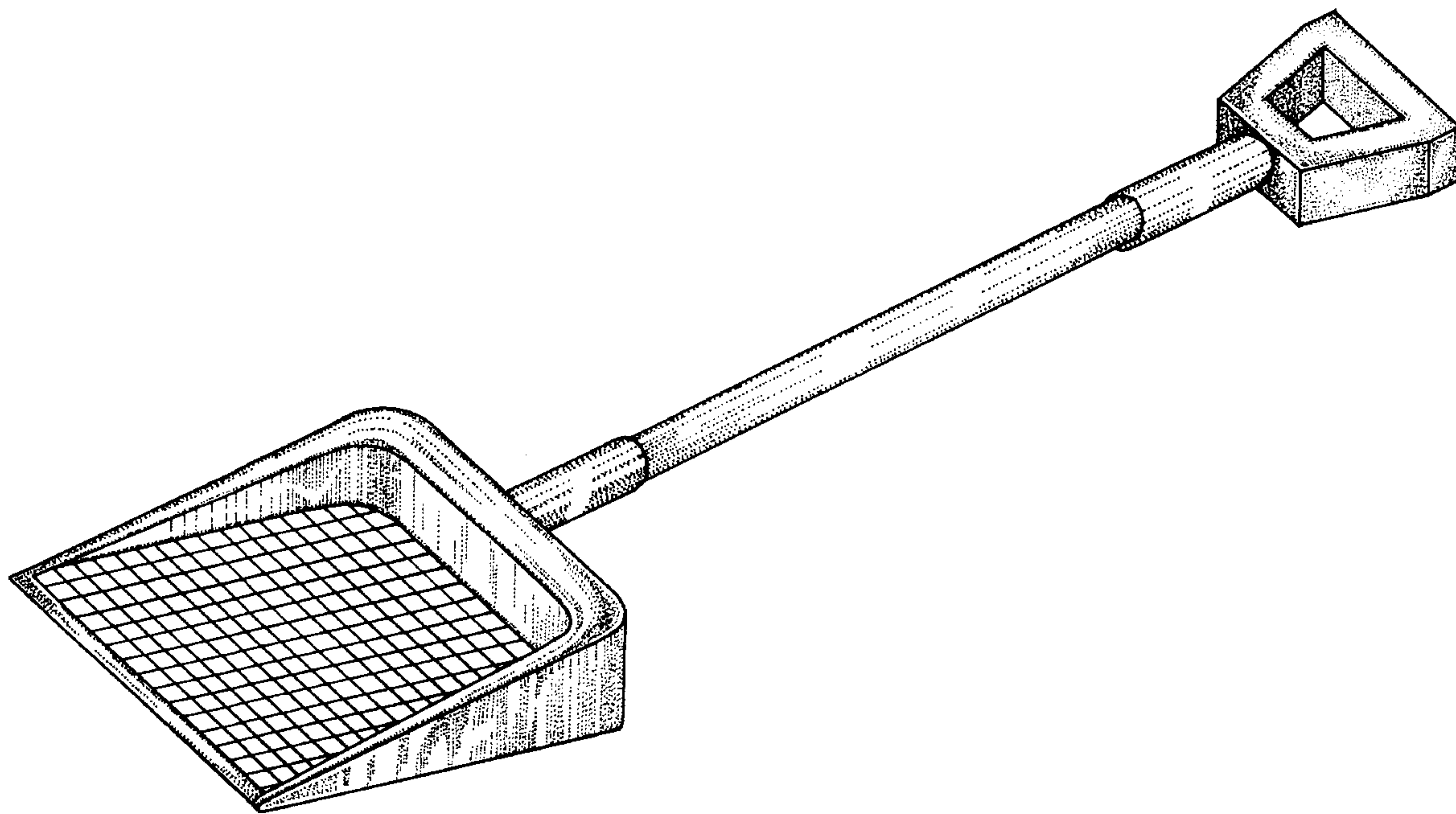
[57] **CLAIM**

The ornamental design for a shovel, as shown and described.

**DESCRIPTION**

FIG. 1 is a diagrammatic perspective view of the shovel; FIG. 2 is a top plan view of the shovel; FIG. 3 is a bottom plan view thereof; FIG. 4 is a front elevational view thereof; FIG. 5 is a rear elevational view thereof; and, FIG. 6 is a right side elevational view of the shovel, the left side view being a mirror image of the right side view.

**1 Claim, 3 Drawing Sheets**



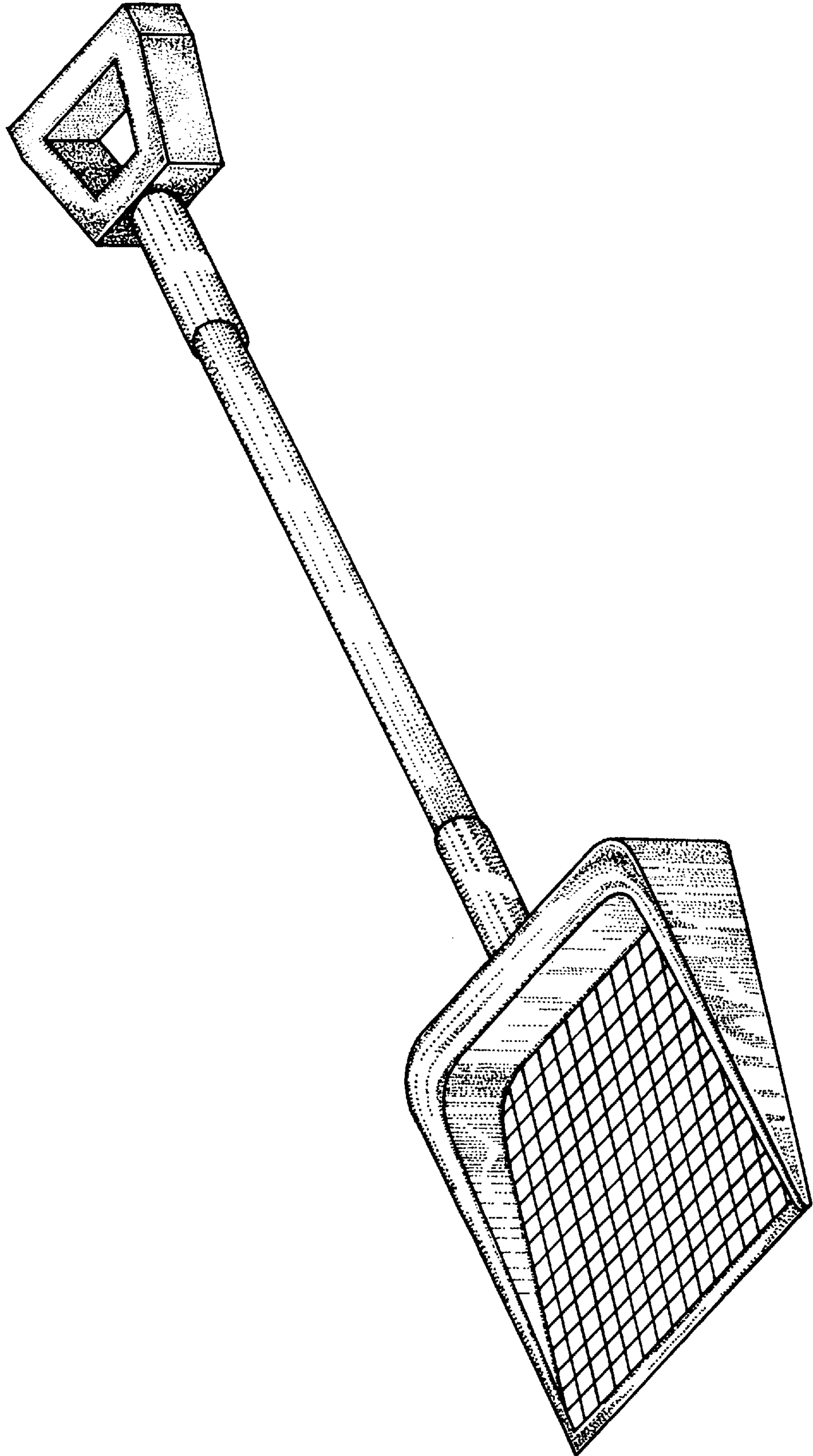


FIG. 1

FIG. 2

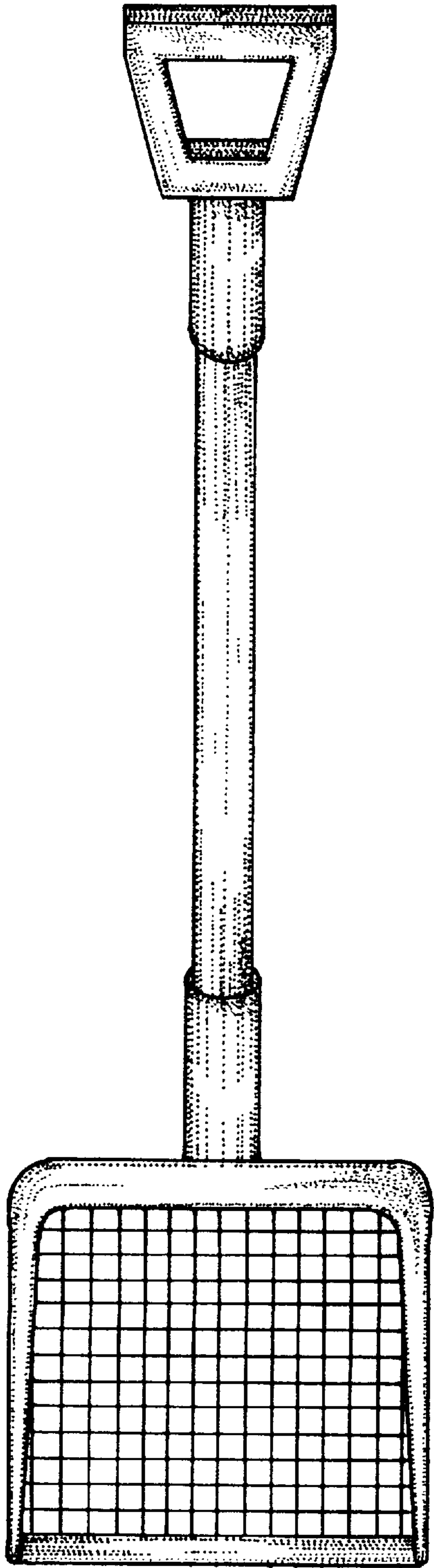
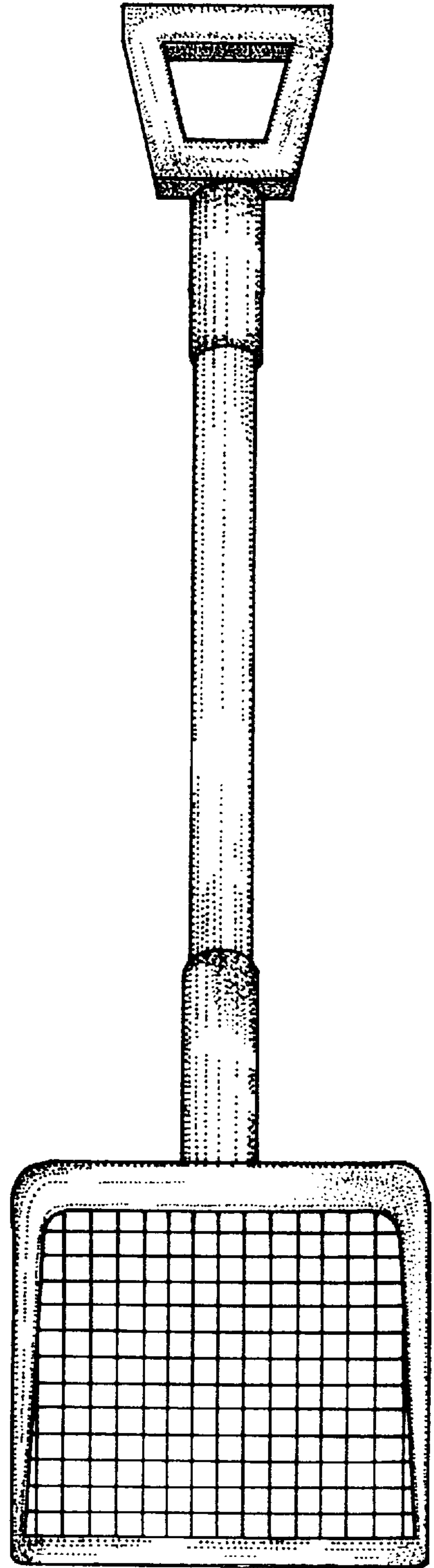


FIG. 3



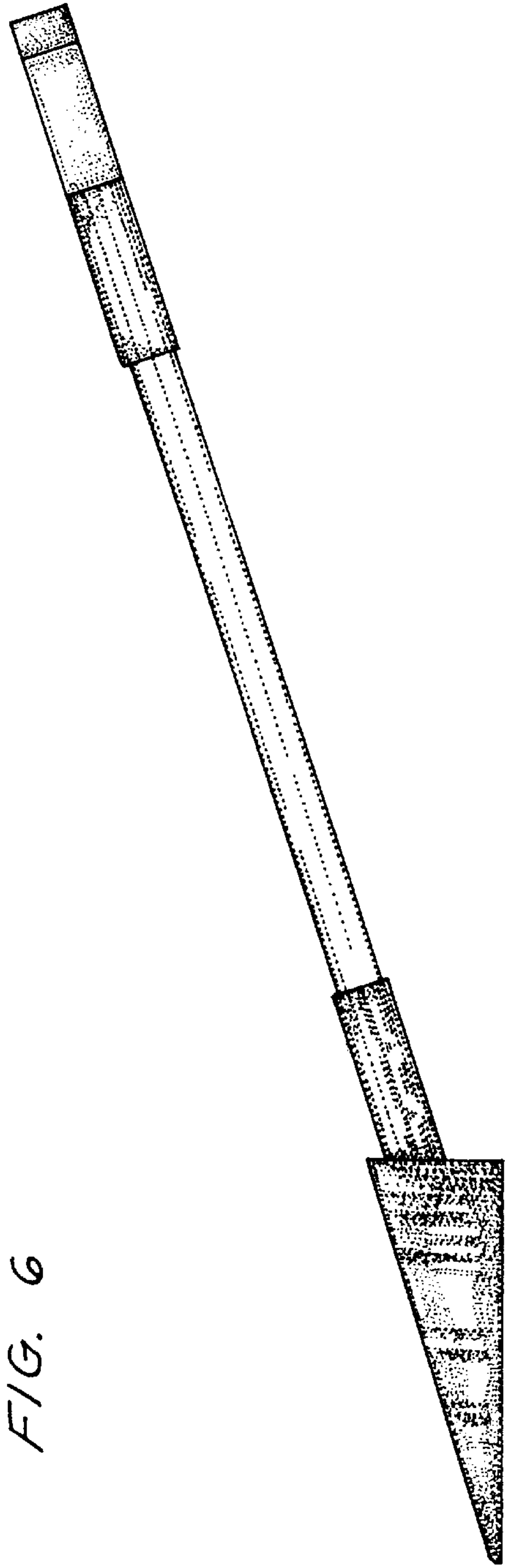


FIG. 6

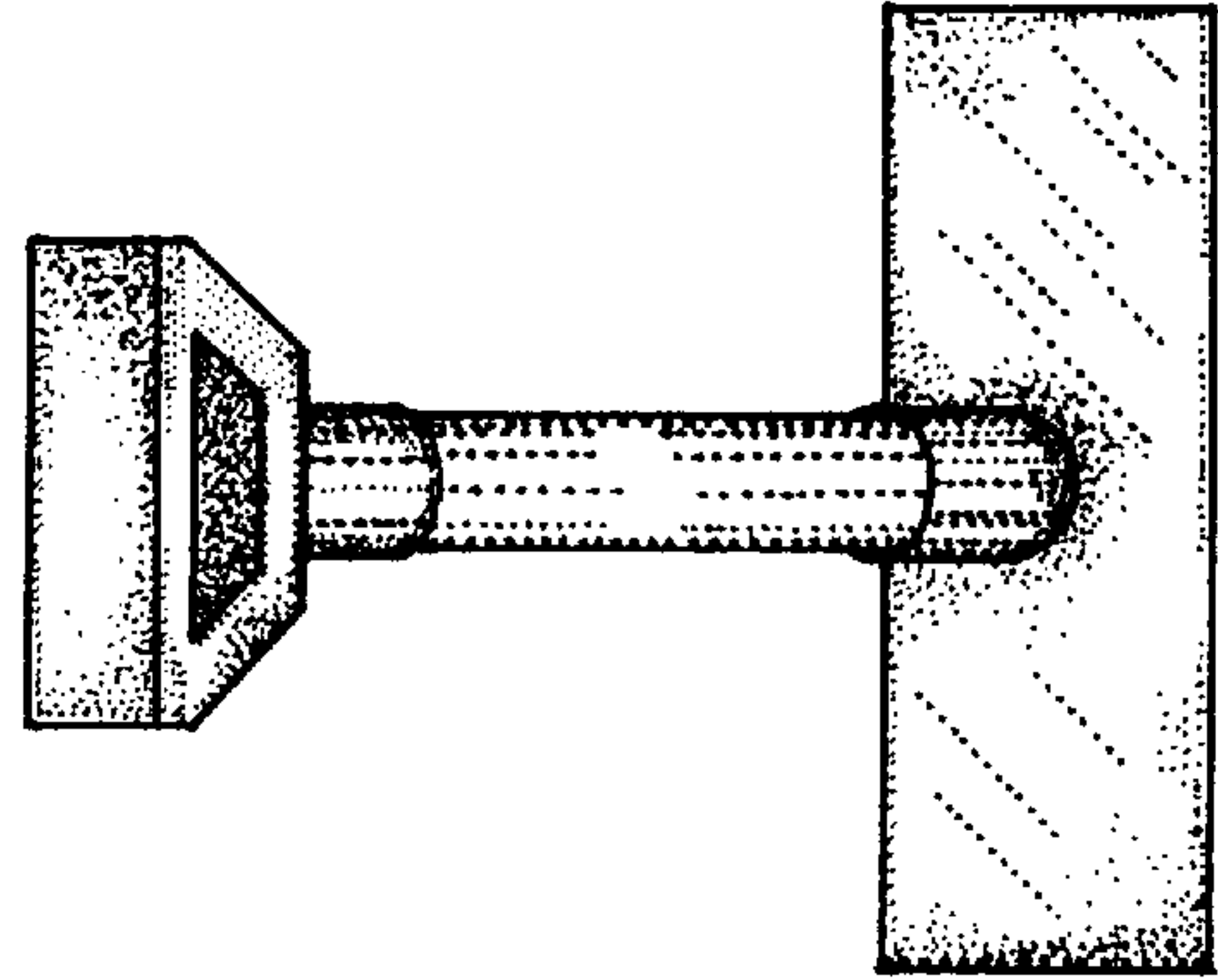


FIG. 5

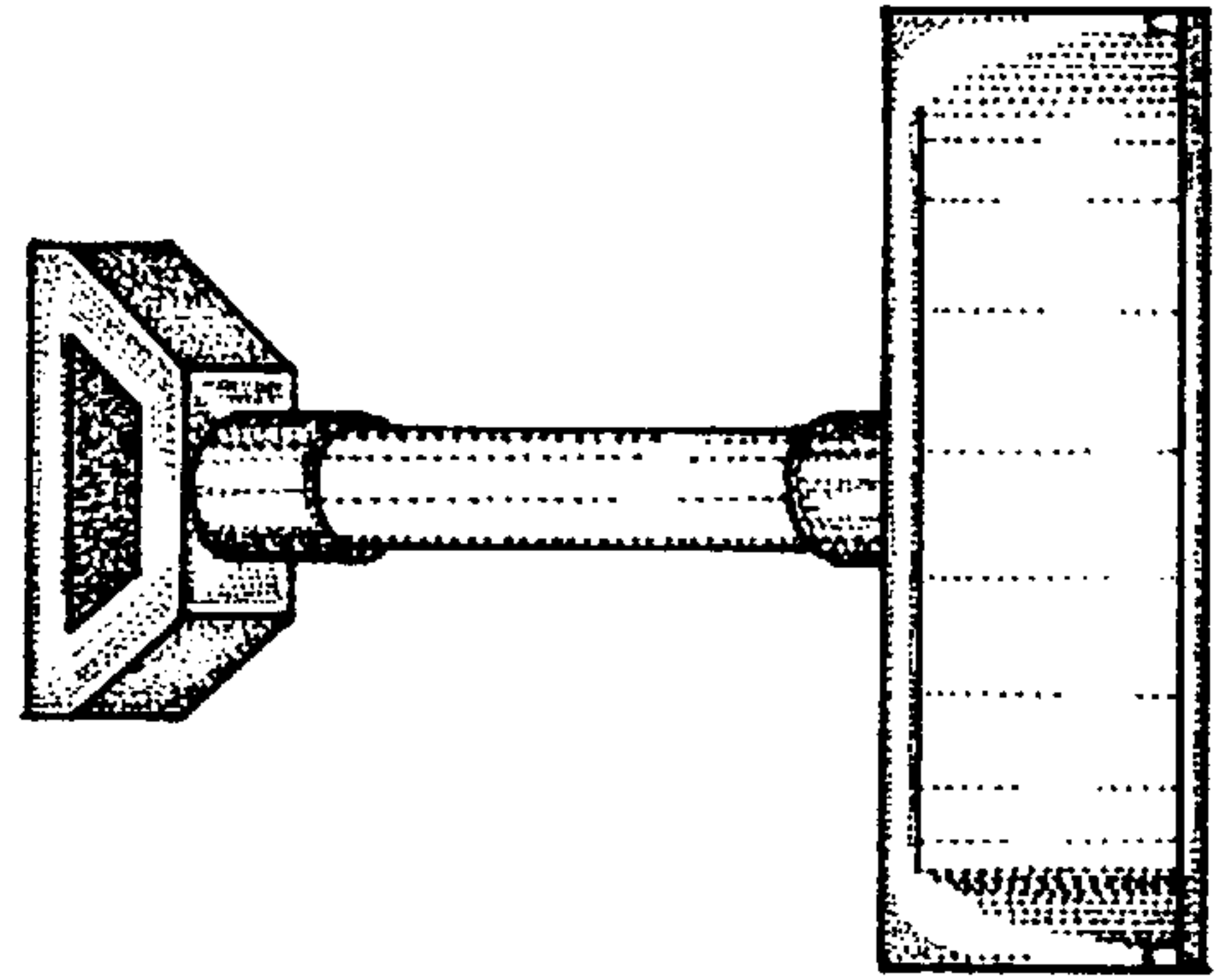


FIG. 4