



US00D400406S

United States Patent [19]
House

[11] **Patent Number: Des. 400,406**

[45] **Date of Patent: **Nov. 3, 1998**

[54] **ILLUMINATED BEVERAGE COASTER**

Primary Examiner—Terry A. Wallace

[76] Inventor: **Anthony Mark Wayne House**, 13711
NE. 10th Pl. A3-108, Bellevue, Wash.
98005

[57] **CLAIM**

The ornamental design for a illuminated beverage coaster, as shown.

[**] Term: **14 Years**

DESCRIPTION

[21] Appl. No.: **79,822**

FIG. 1 is a front view of the illuminated beverage coaster of the present invention;

[22] Filed: **Nov. 19, 1997**

FIG. 2 is a rear view of the illuminated beverage coaster of FIG. 1;

[51] **LOC (6) Cl.** **07-06**

[52] **U.S. Cl.** **D7/624**

FIG. 3 is a left side view of the illuminated beverage coaster of FIG. 1;

[58] **Field of Search** D7/624, 625; D26/51;
215/386, 393-395; 220/737, 739; 248/310,
311.2, 346.11; 362/101, 134, 253

FIG. 4 is a right side view of the illuminated beverage coaster of FIG. 1;

[56] **References Cited**

FIG. 5 is a top plan view of the illuminated beverage coaster of FIG. 1;

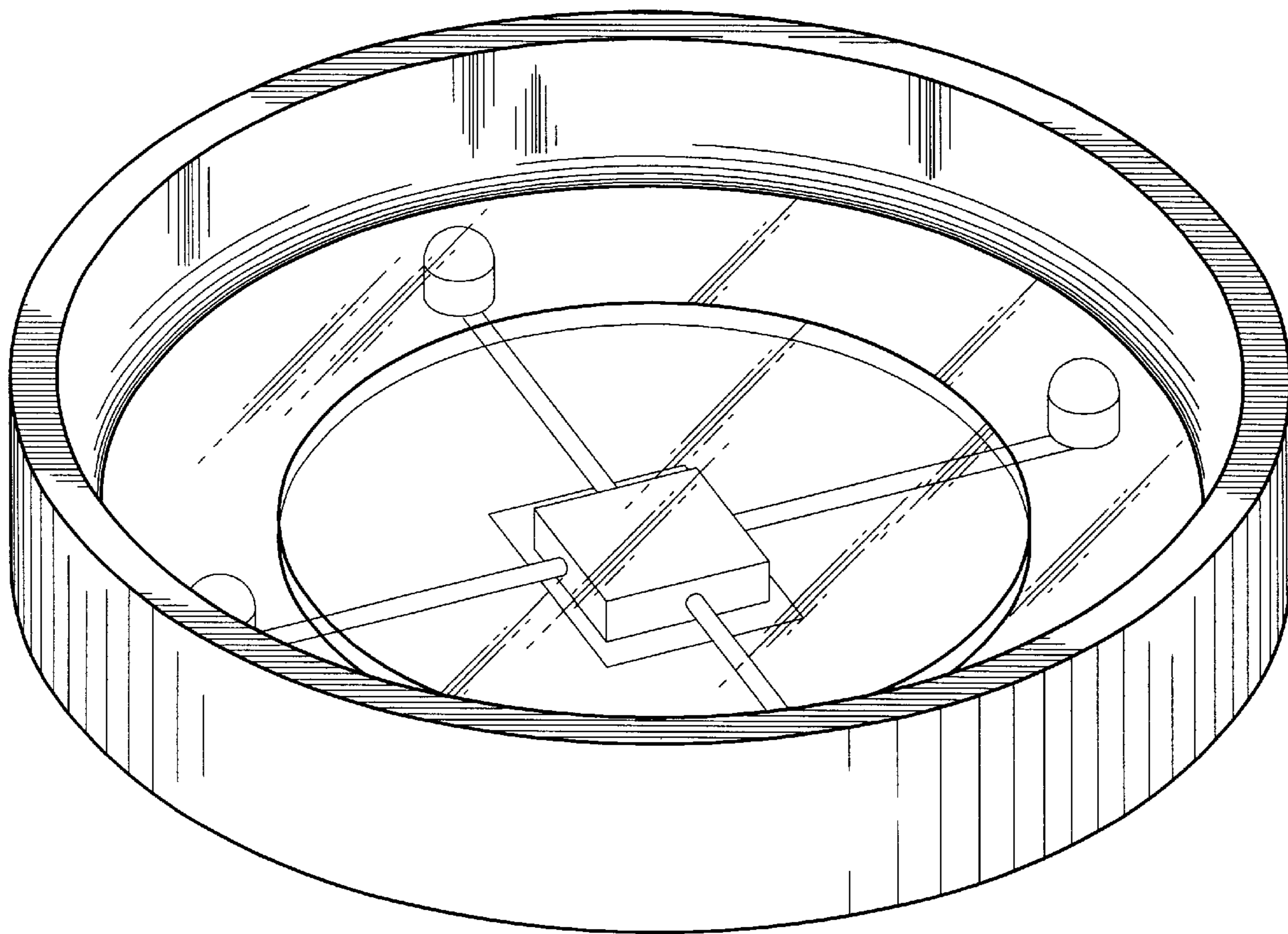
U.S. PATENT DOCUMENTS

FIG. 6 is a bottom plan view of the illuminated beverage coaster of FIG. 1; and,

D. 228,721	10/1973	Todd	D7/624
D. 332,030	12/1992	Kauffman et al.	D7/624
D. 366,813	2/1996	Nobles	D7/624
4,336,574	6/1982	Goodman	362/101
5,465,891	11/1995	Bridges	248/346.11

FIG. 7 is a perspective view of the illuminated beverage coaster of FIG. 1.

1 Claim, 3 Drawing Sheets



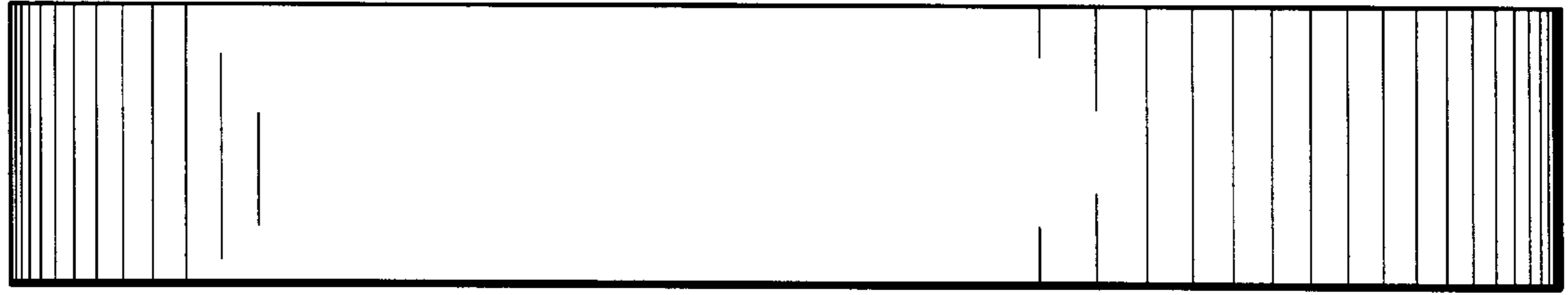


Fig. 1

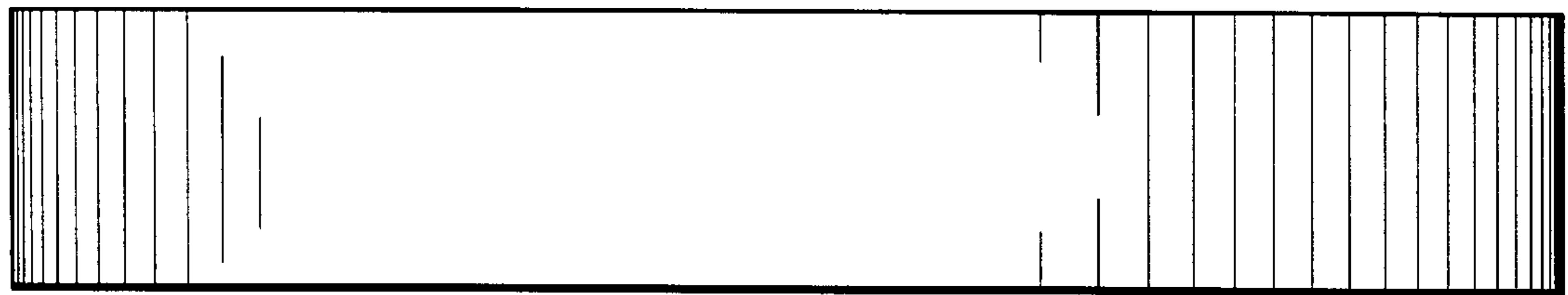


Fig. 2

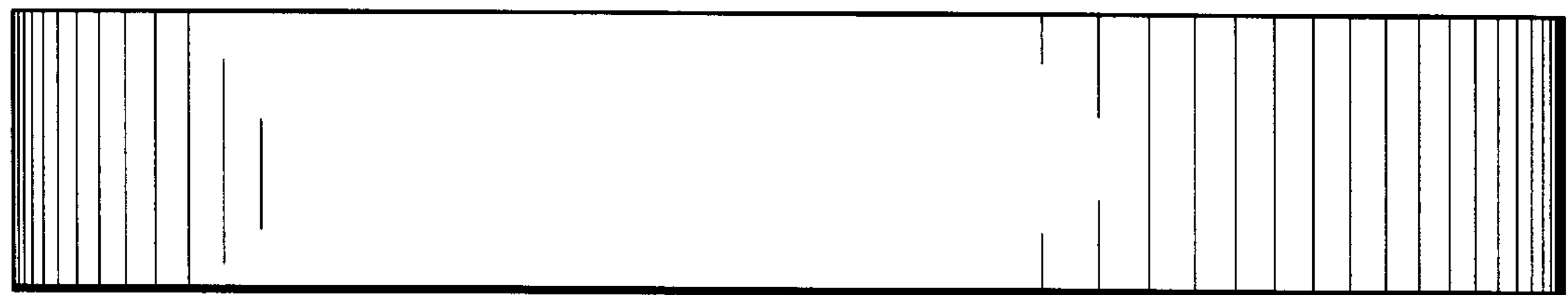


Fig. 3

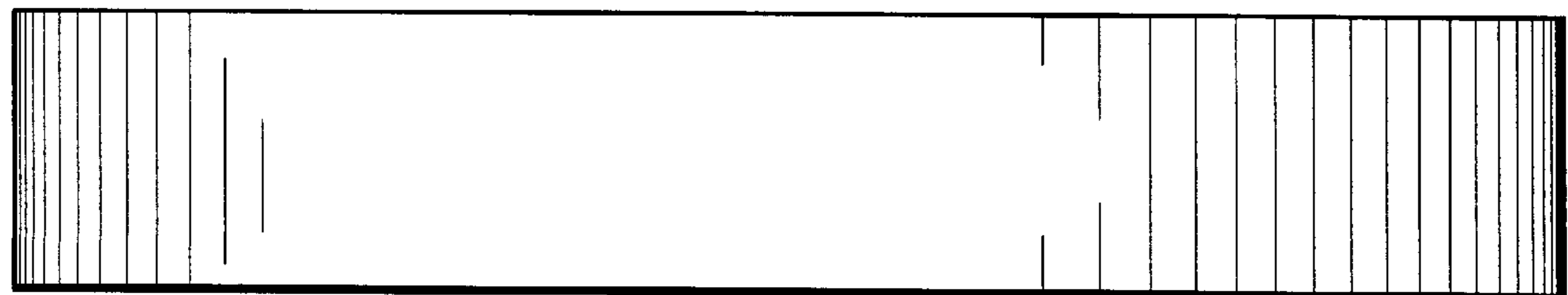


Fig. 4

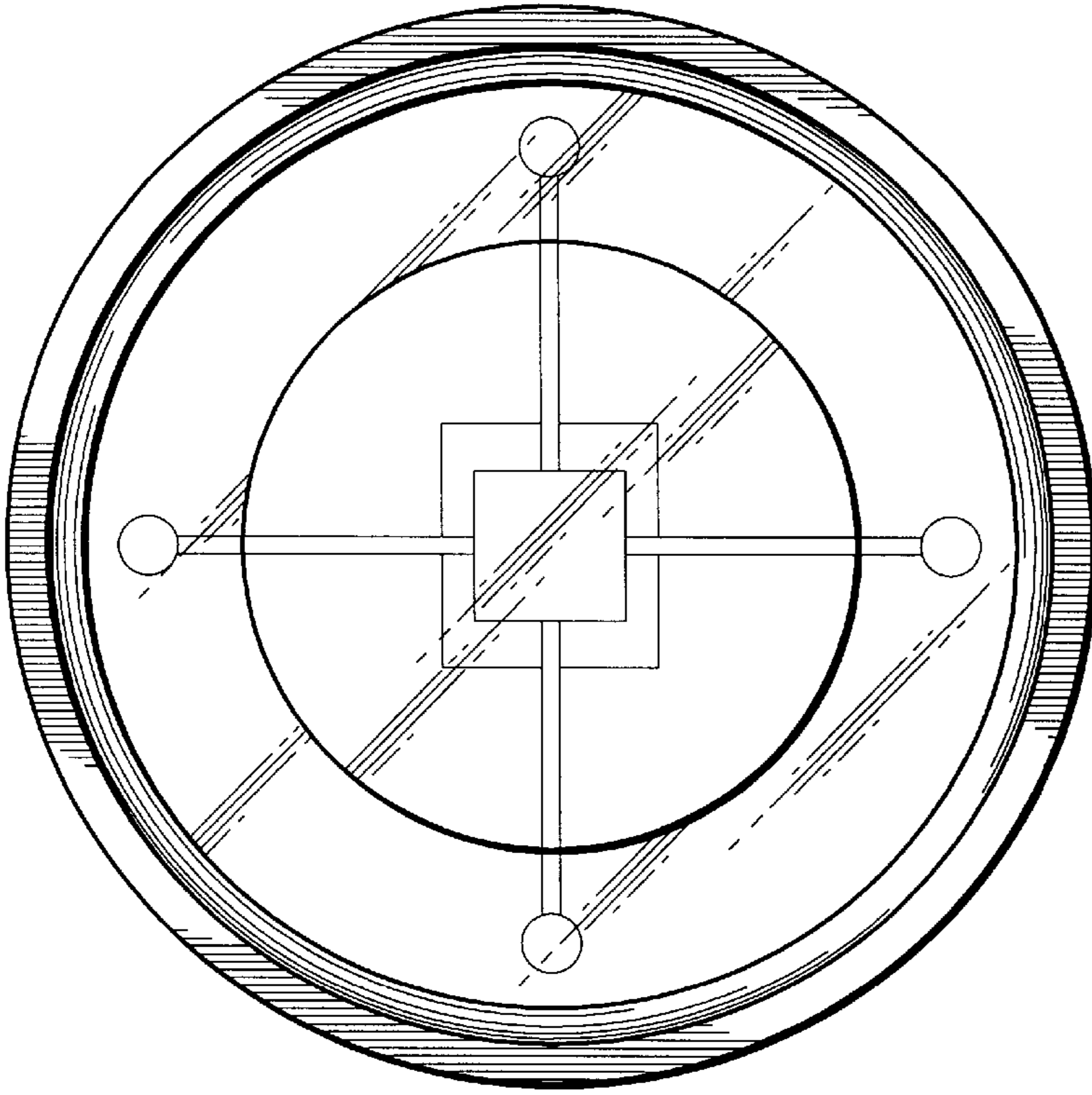


Fig. 5

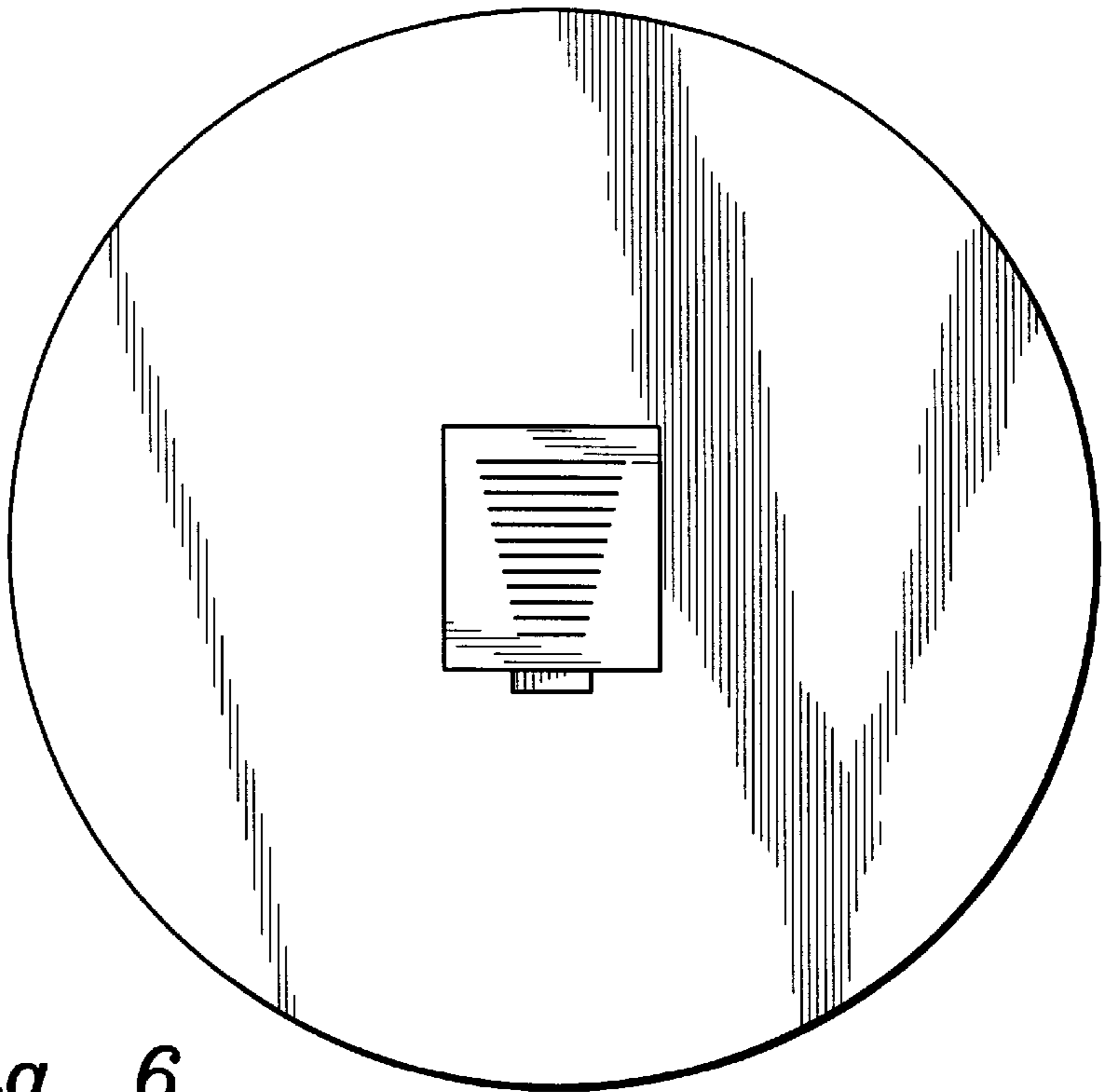


Fig. 6

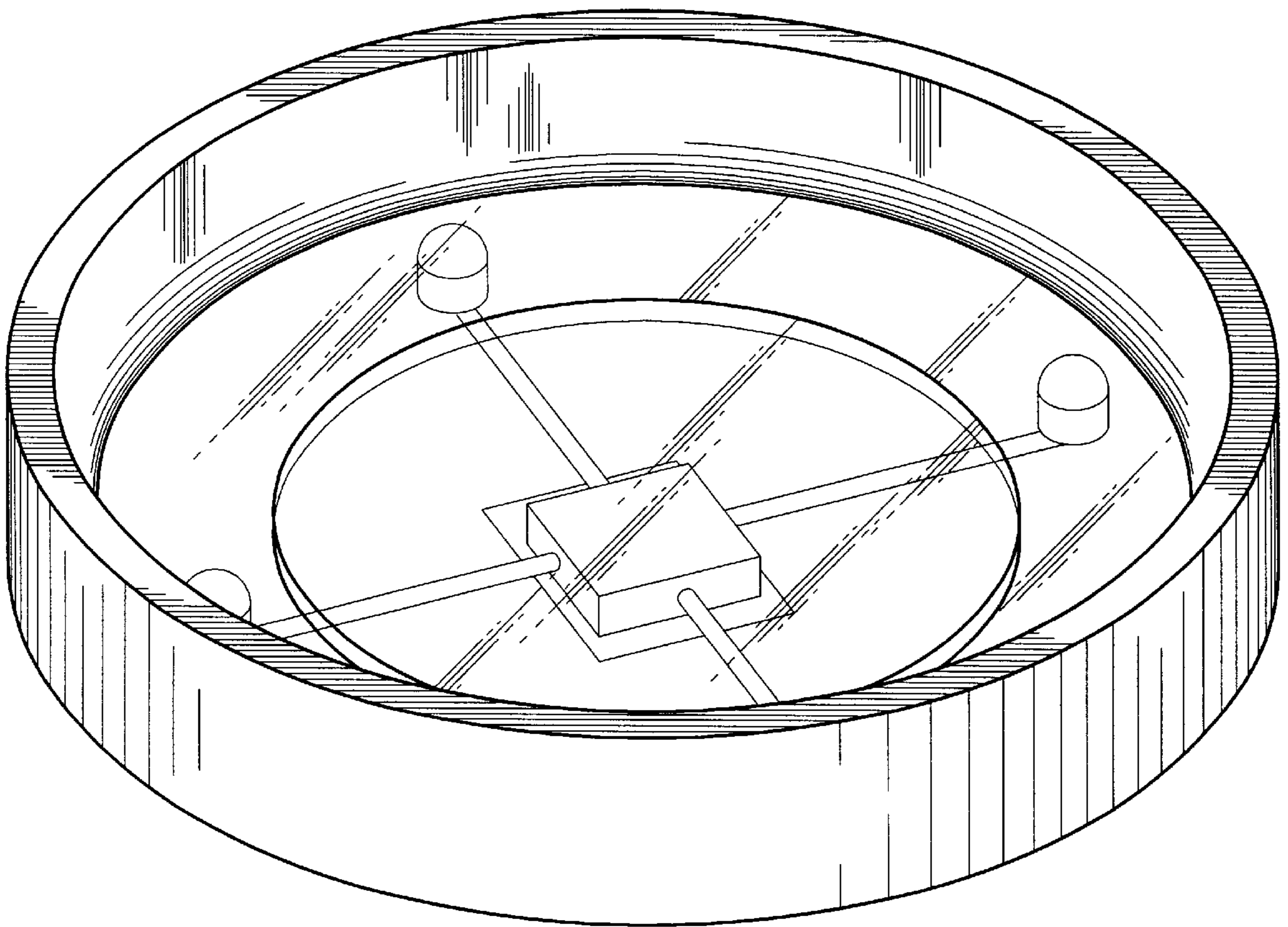


Fig. 7