



US00D400405S

United States Patent [19] Thaler

[11] **Patent Number: Des. 400,405**

[45] **Date of Patent: **Nov. 3, 1998**

[54] **SINGLE USE, STACKABLE BUFFET PLATE FOR FOOD, BEVERAGE AND NAPKIN**

[76] Inventor: **Robin E. Thaler**, 827 Lachman La., Pacific Palisades, Calif. 90272

[**] Term: **14 Years**

[21] Appl. No.: **81,095**

[22] Filed: **Dec. 19, 1997**

[51] **LOC (6) Cl. 07-01**

[52] **U.S. Cl. D7/553; D7/555**

[58] **Field of Search D7/354, 357, 597, D7/596, 543, 545, 546, 547, 552, 553, 554, 557, 566, 568, 570, 584, 586, 587, 601, 602, 396.6, 396.1, 393; 220/555, 575, 556**

[56] **References Cited**

U.S. PATENT DOCUMENTS

D. 145,764	10/1946	Zelov	D7/558
D. 219,263	11/1970	Castelli	D7/553
D. 251,102	2/1979	Box	D7/553
D. 301,192	5/1989	DeCoster	D7/553
D. 301,820	6/1989	Wasserman	D7/553
D. 335,796	5/1993	Barnes	D7/553
D. 352,202	11/1994	Campbell	D7/553
D. 353,515	12/1994	Anderson	D7/553

3,498,470	3/1970	Thomas	D7/553
3,704,779	12/1972	Nigg	220/556
5,152,398	10/1992	Forestal	220/556 X
5,368,183	11/1994	Singer	220/556
5,429,266	7/1995	D'Oliveira et al.	220/556
5,598,944	2/1997	Aragona	220/556 X
5,607,077	3/1997	Torkelson	220/556

Primary Examiner—M. N. Pandozzi
Attorney, Agent, or Firm—Sanford Astor

[57] **CLAIM**

The ornamental design for a single use, stackable buffet plate for food, beverage and napkin, as shown and described.

DESCRIPTION

FIG. 1 is a perspective view of a single use, stackable buffet plate for food, beverage, and napkin, showing my new design;

FIG. 2 is a top plan view thereof;

FIG. 3 is a left side view thereof;

FIG. 4 is a right side view thereof;

FIG. 5 is a bottom view thereof;

FIG. 6 is a front elevational view thereof;

FIG. 7 is a rear elevational view thereof; and,

FIG. 8 is a perspective view thereof, in a stacked position. The broken line showing of a beverage holder, utensils, napkin, and hand in FIG. 1, and stacked plates in FIG. 8 are for illustrative purposes only and form no part of the claimed design.

1 Claim, 4 Drawing Sheets

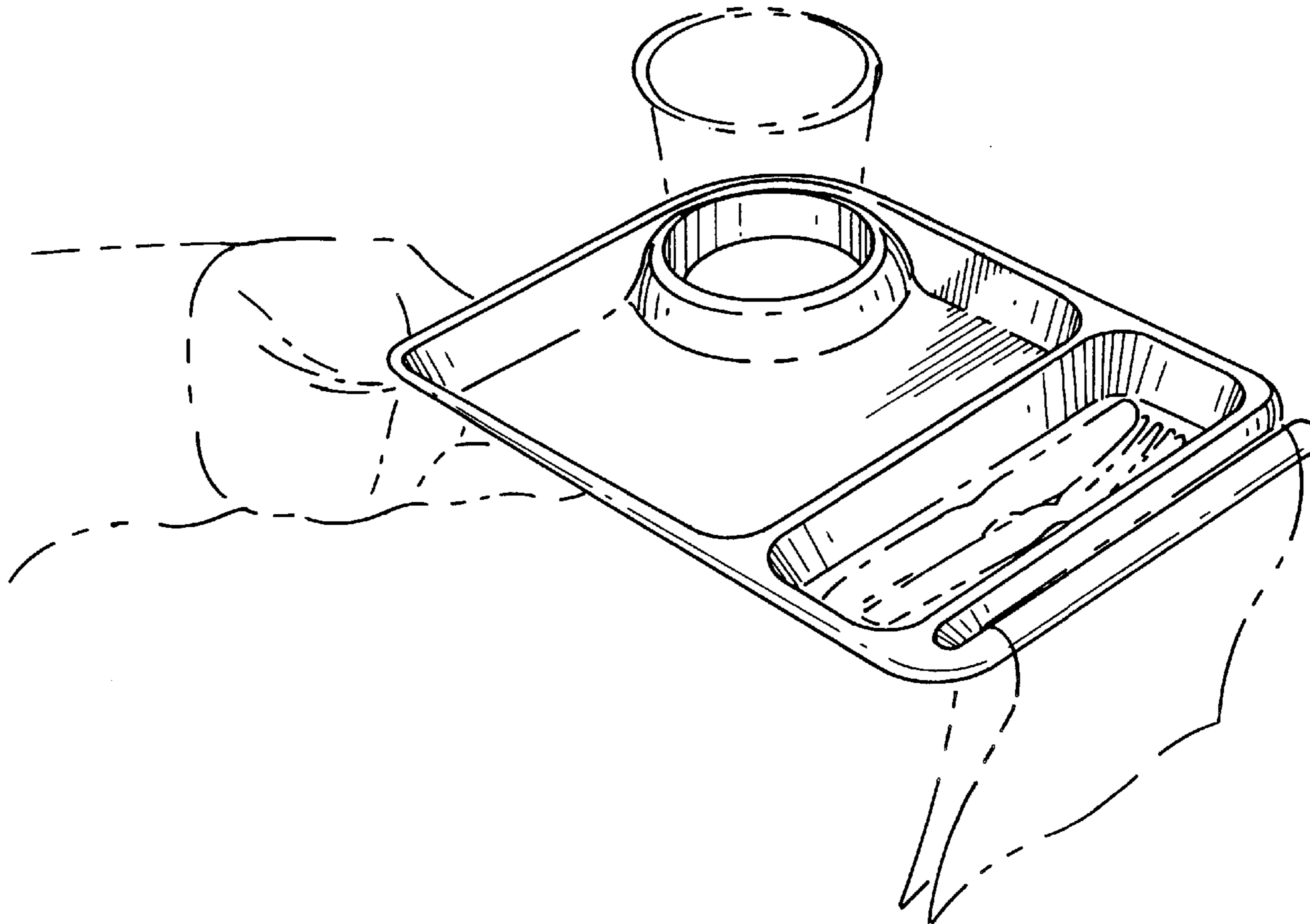


FIG. 1

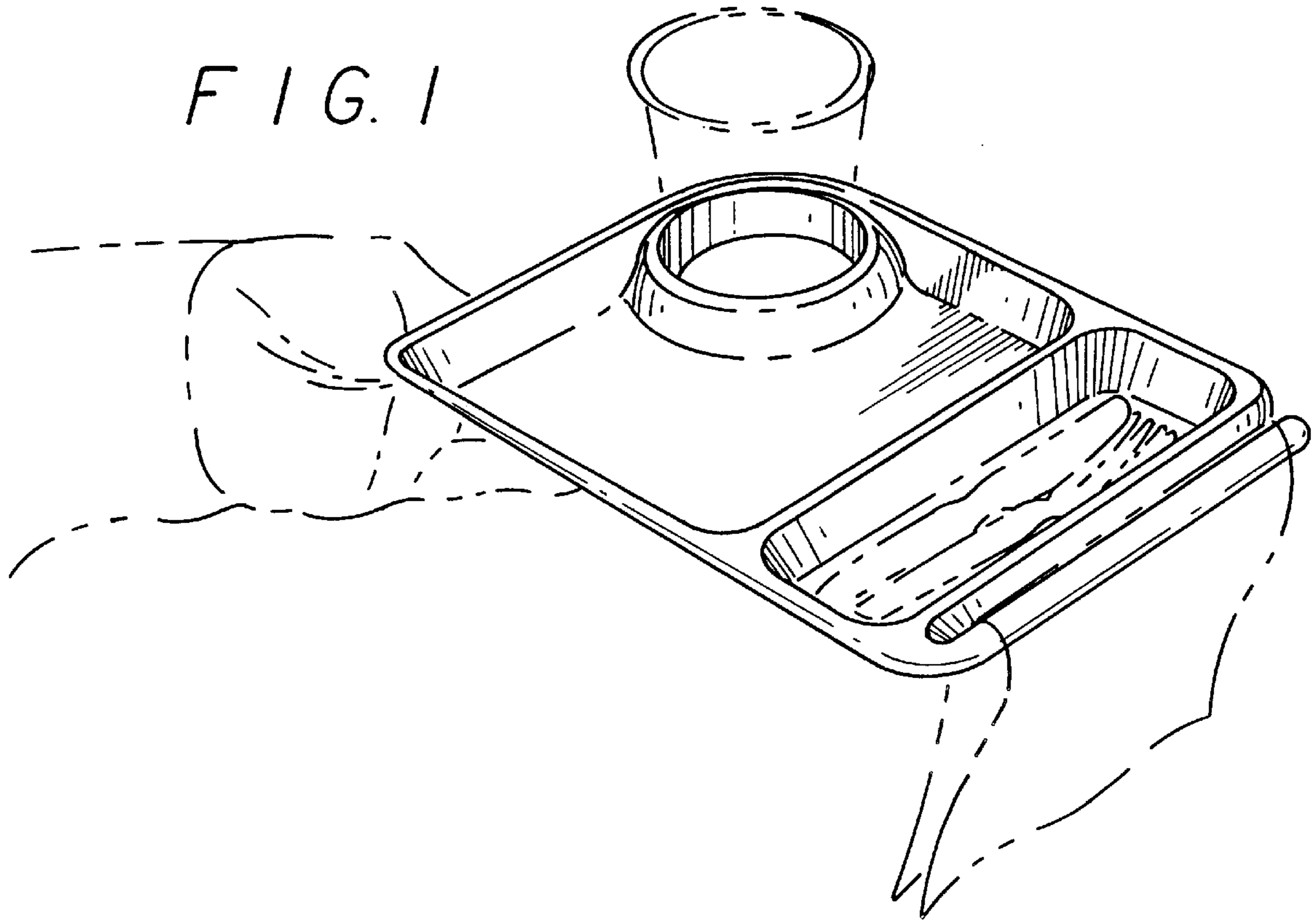


FIG. 2

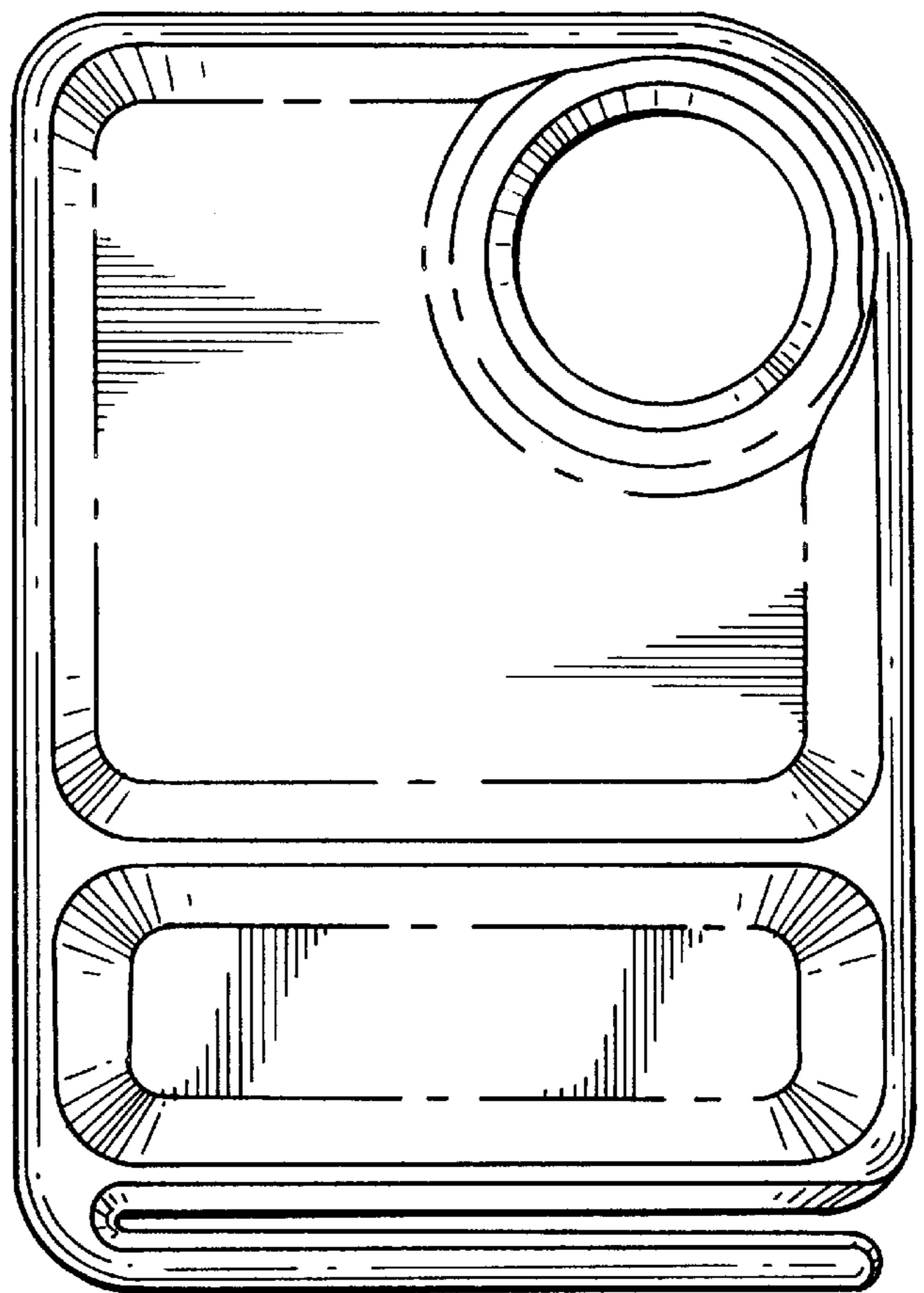




FIG. 3



FIG. 4

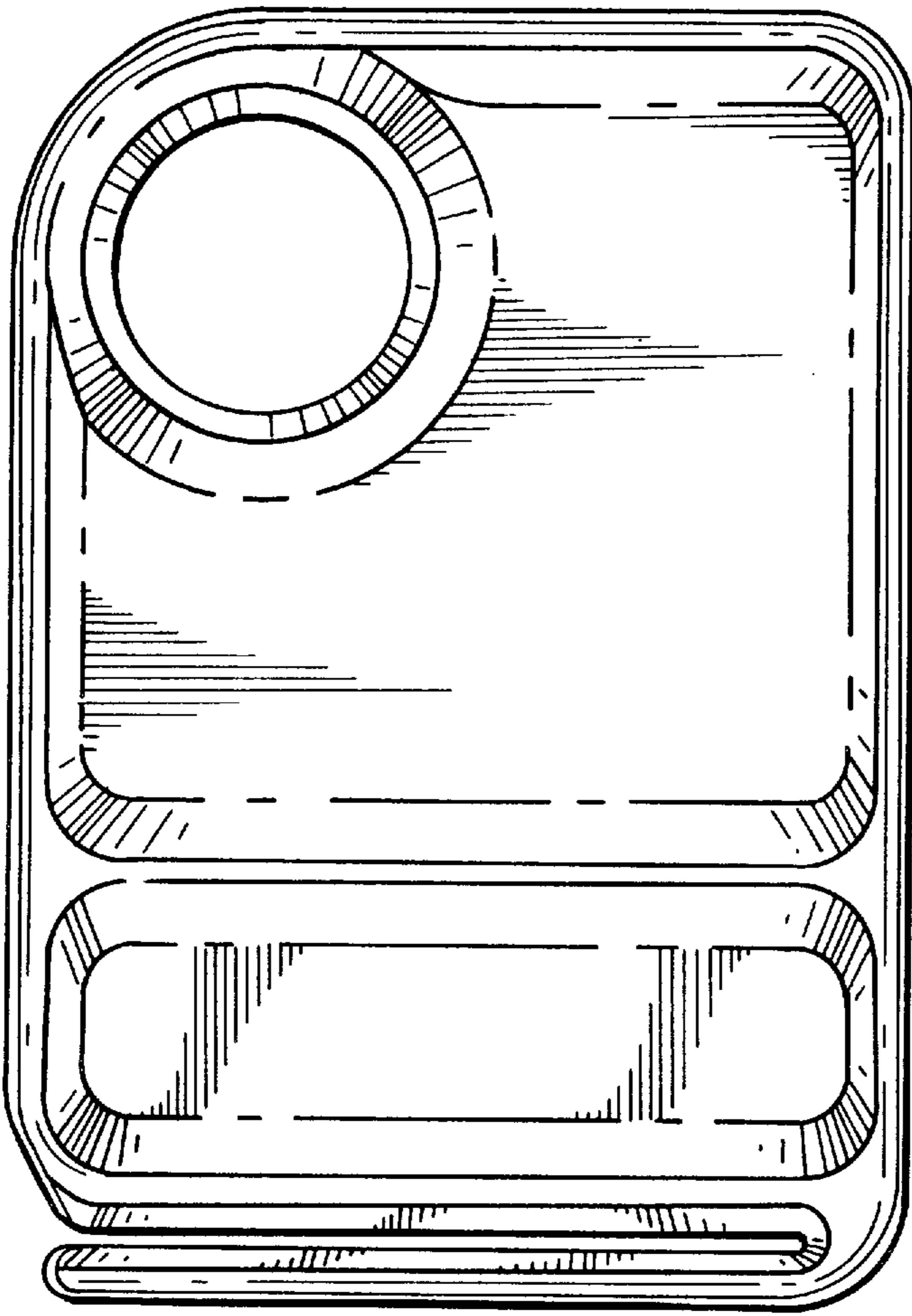


FIG. 5

FIG. 6

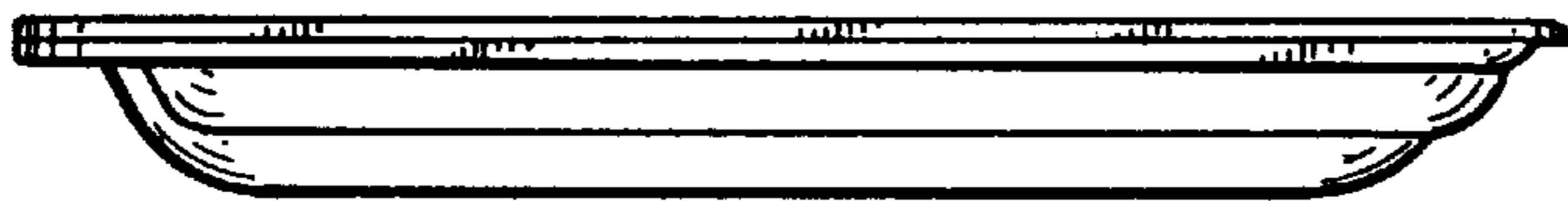


FIG. 7



FIG. 8

