



US00D400404S

United States Patent [19] Indekeu

[11] **Patent Number: Des. 400,404**
[45] **Date of Patent: **Nov. 3, 1998**

[54] **TRAY**
[75] **Inventor: Erik Indekeu, Borgerhout, Belgium**
[73] **Assignee: De Ster NV, Belgium**
[**] **Term: 14 Years**
[21] **Appl. No.: 69,403**
[22] **Filed: Apr. 11, 1997**
[51] **LOC (6) Cl. 07-01**
[52] **U.S. Cl. D7/550; D3/304**
[58] **Field of Search D3/313, 310, 311, D3/315, 304, 306, 307, 312, 314, 308; D7/548, 505, 543, 545, 550, 554; D6/300, 314; 220/501, 507, 555, 553; 206/503, 505, 370, 439; D9/425**

D. 241,802 10/1976 Beaubian D7/550 X
D. 296,968 8/1988 Pozzi D7/545
D. 310,748 9/1990 Embree et al. D9/425 X
D. 348,394 7/1994 Dreyer D9/425
2,777,626 1/1957 French D9/425 X
2,975,931 3/1961 Harrison D9/425 X
3,067,921 12/1962 Reifers D9/425 X
3,858,786 1/1975 Vogt D9/425 X
4,011,944 3/1977 Cooley et al. 206/370 X

OTHER PUBLICATIONS

De Ster NV, Product Catalog Undated.
De Ster NV, Product Brochures, 1994–1995.
Primary Examiner—M. N. Pandozzi
Attorney, Agent, or Firm—Kennedy, Davis & Kennedy, P.C.

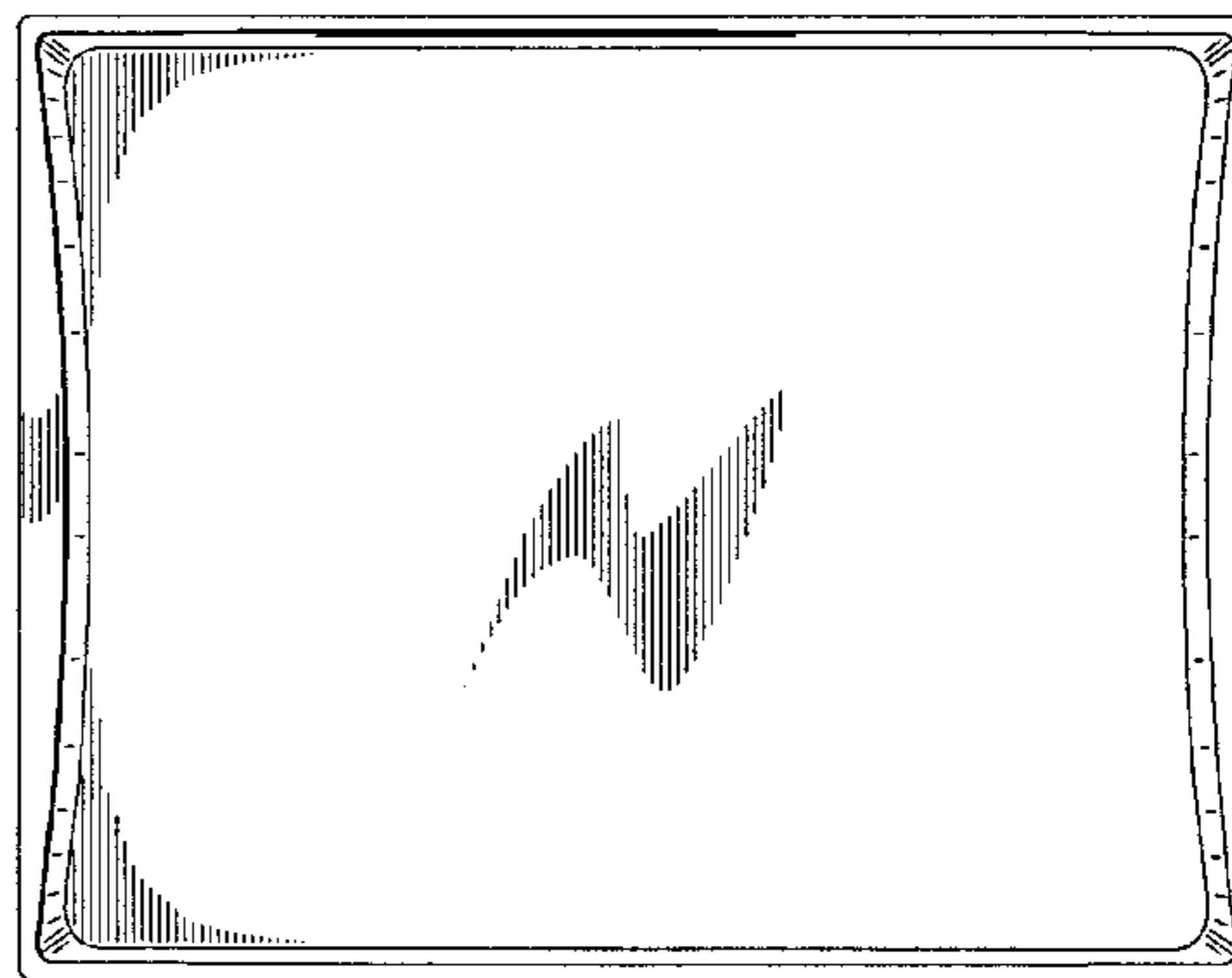
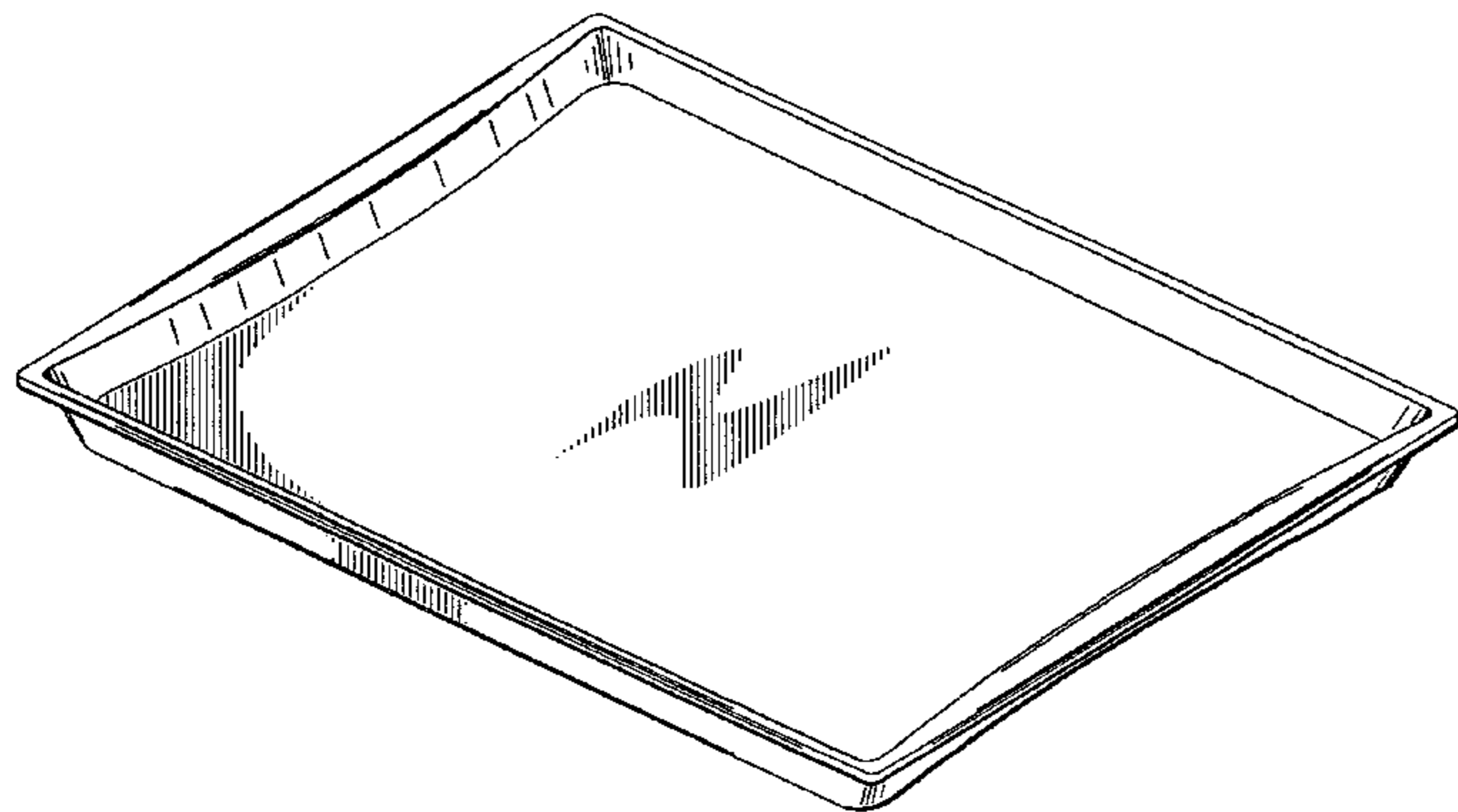
[56] **References Cited**
U.S. PATENT DOCUMENTS
D. 157,823 3/1950 Wright D7/545
D. 182,626 4/1958 Salm et al. D7/545
D. 198,290 5/1964 Miller et al. D9/425
D. 207,593 5/1967 Douglas D7/545
D. 213,575 3/1969 Rubin D7/545
D. 217,338 4/1970 Britt D9/425
D. 226,285 2/1973 Bateman D9/425 X
D. 226,673 4/1973 Bateman D7/545
D. 240,714 7/1976 White D7/550 X

[57] **CLAIM**
The ornamental design for a tray, as shown and described.

DESCRIPTION

FIG. 1 is a perspective view thereof;
FIG. 2 is a top view thereof;
FIG. 3 is a bottom view thereof;
FIG. 4 is a side view thereof, the opposite side being the same; and,
FIG. 5 is a side view thereof, contiguous to the side shown in FIG. 4, with the side opposite thereto being the same.

1 Claim, 2 Drawing Sheets



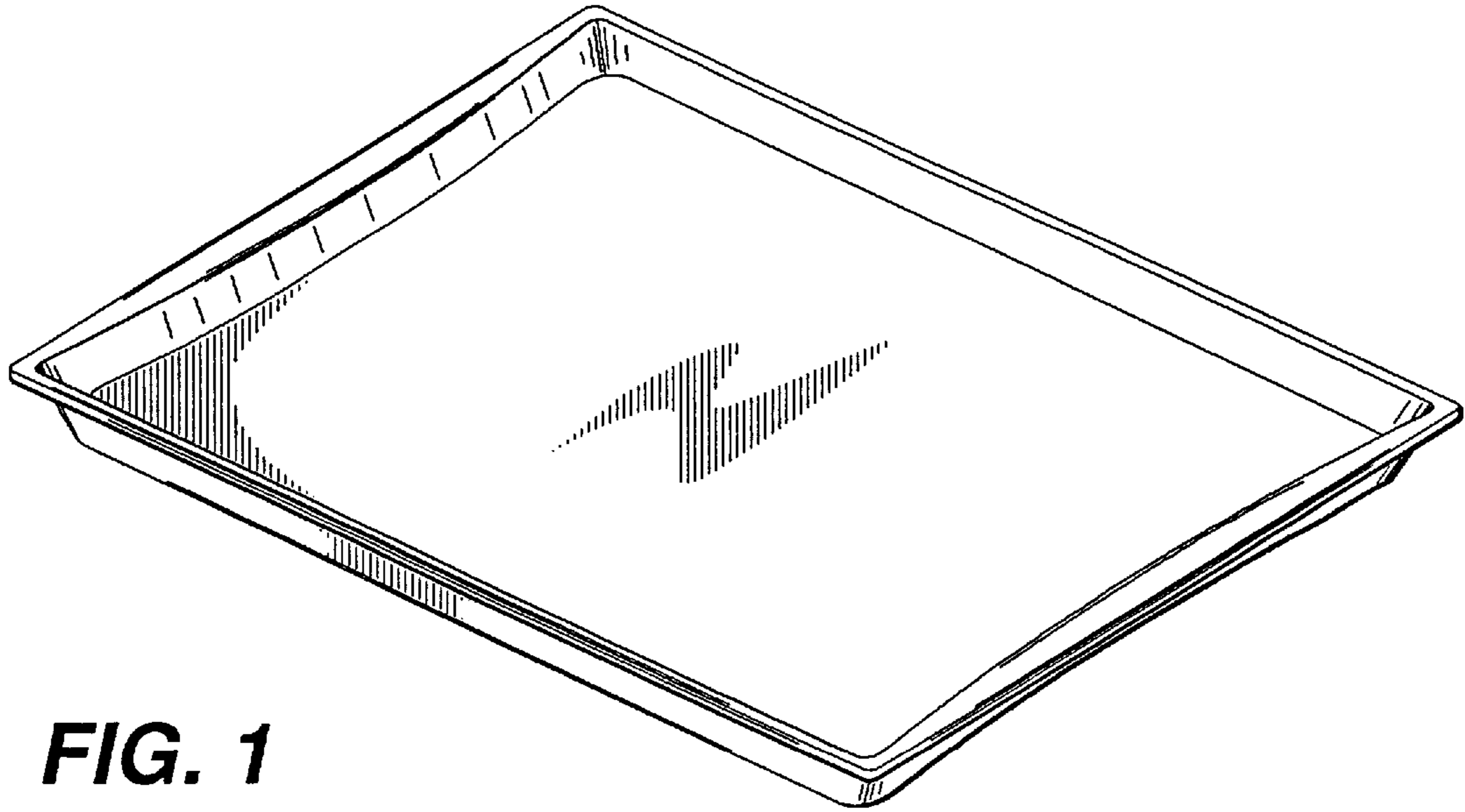


FIG. 1

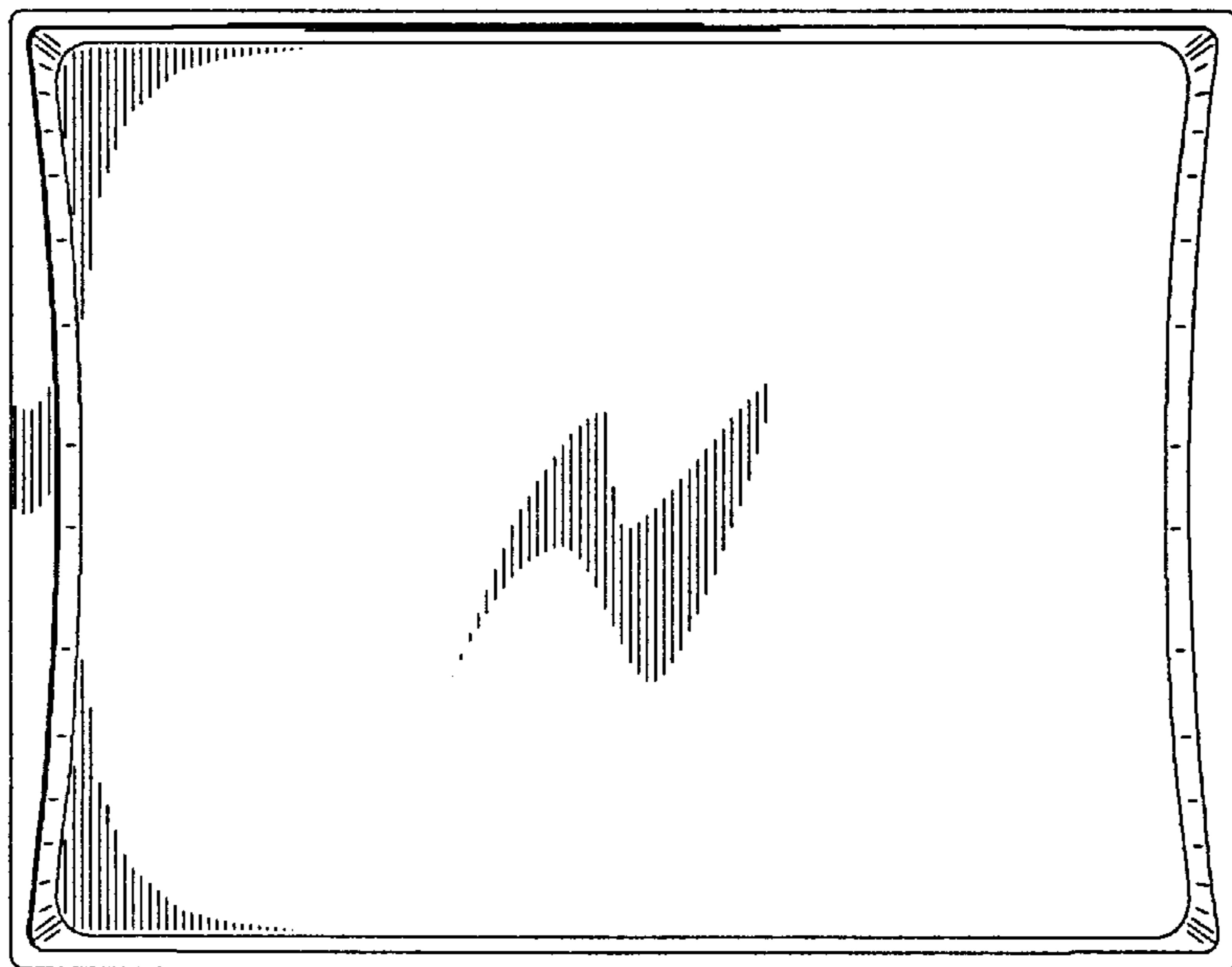


FIG. 2

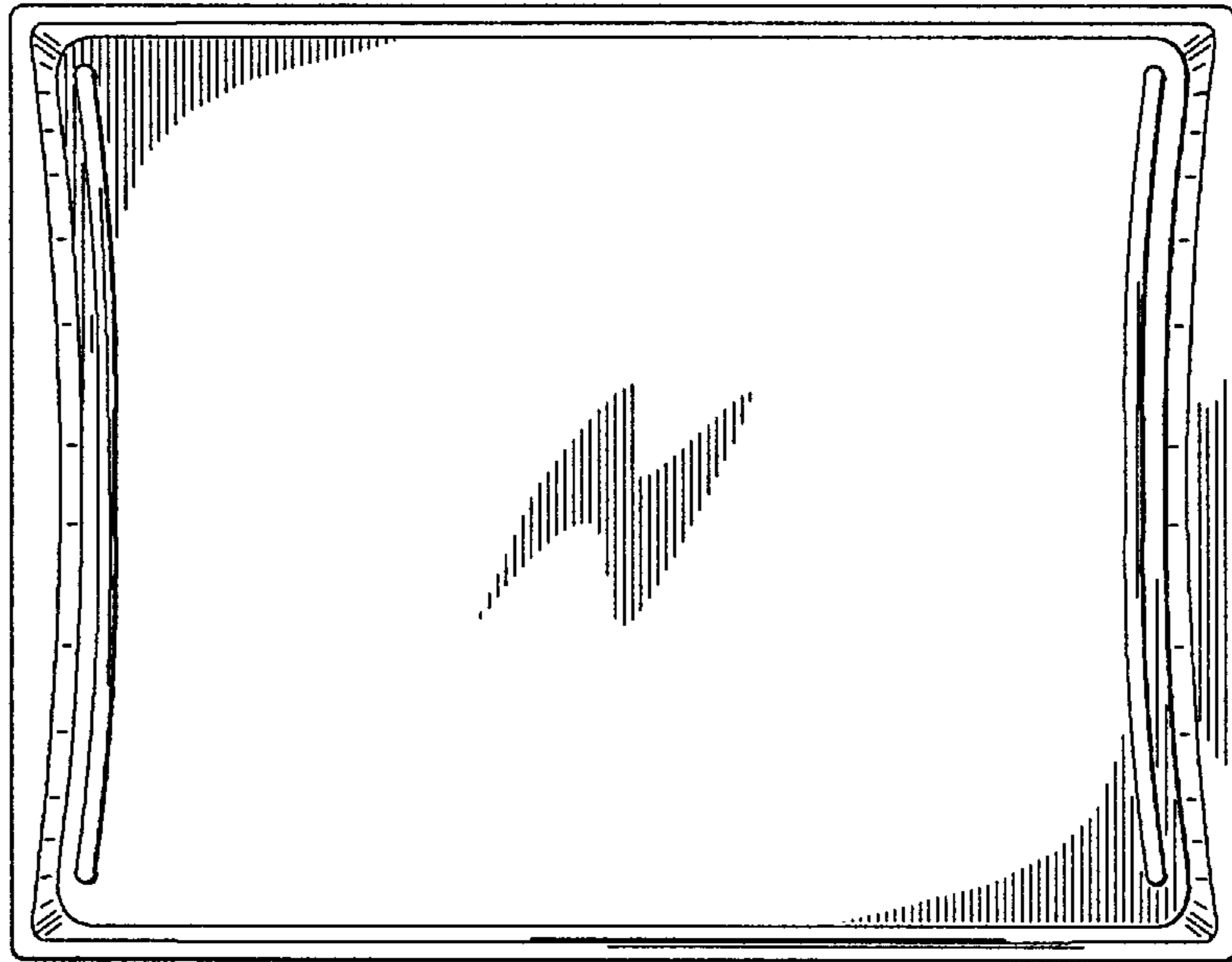


FIG. 3

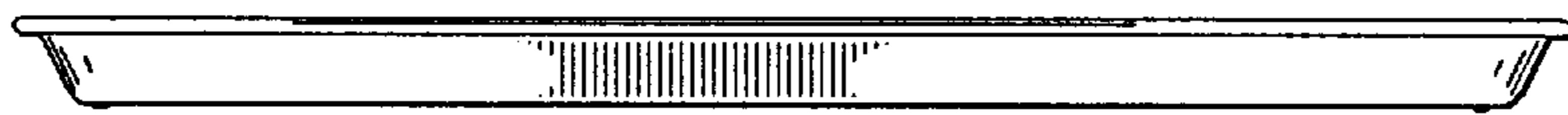


FIG. 4

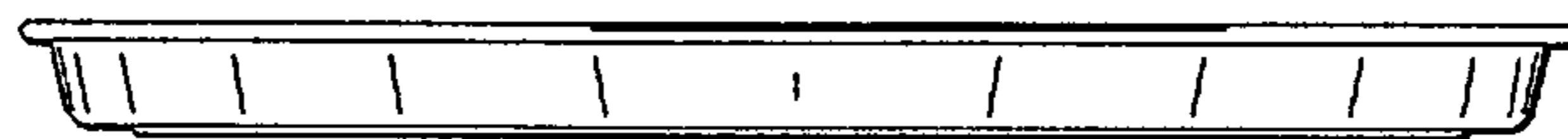


FIG. 5