



US00D400403S

United States Patent [19] Brownell

[11] **Patent Number: Des. 400,403**

[45] **Date of Patent: **Nov. 3, 1998**

[54] **COMPARTMENTALIZED PLATE**

[75] Inventor: **Katherine Brownell**, 7030 E. Watchman Cir., Montgomery, Ala. 36116

[73] Assignee: **Katherine Brownell**, Montgomery, Ala.

[**] Term: **14 Years**

[21] Appl. No.: **81,741**

[22] Filed: **Jan. 8, 1998**

[51] **LOC (6) Cl. 07-01**

[52] **U.S. Cl. D7/549; D7/555; D7/553**

[58] **Field of Search** D7/354, 357, 597, D7/596, 543, 545, 546, 547, 552, 554, 557, 566, 568, 570, 584, 586, 587, 601, 602, 396.6, 396.1, 393, 312; 270/555, 575, 559, 574; D30/129, 130, 131; D9/341

[56] **References Cited**

U.S. PATENT DOCUMENTS

D. 87,540	8/1932	Picker	D7/553
D. 91,229	12/1933	Pyle	D7/549
D. 184,888	4/1959	Pickett	D7/555
D. 195,524	6/1963	Patton, Jr.	D7/587
D. 214,678	7/1969	Weeber	D7/587 X
D. 250,880	1/1979	Stone et al.	D9/341
D. 284,157	6/1986	Morr	D7/554
D. 296,404	6/1988	Lowenbein	D7/553
D. 336,555	6/1993	Goetz	D30/131

OTHER PUBLICATIONS

“Food Guide Pyramid: A Guide to Daily Good Choices”, National Live Stock and Meat Board, 1993.

Primary Examiner—M. N. Pandozzi
Attorney, Agent, or Firm—Jones & Askew, LLP

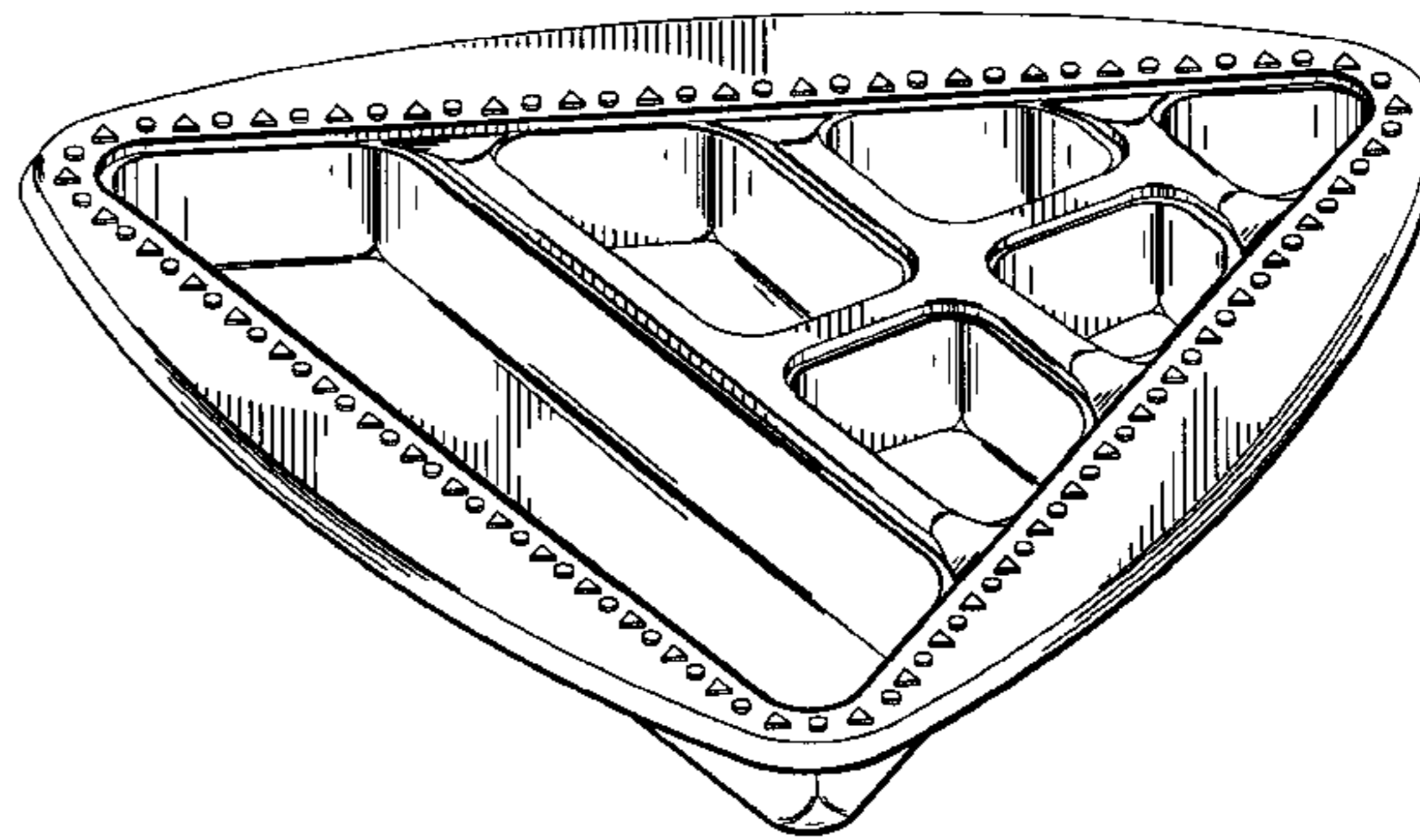
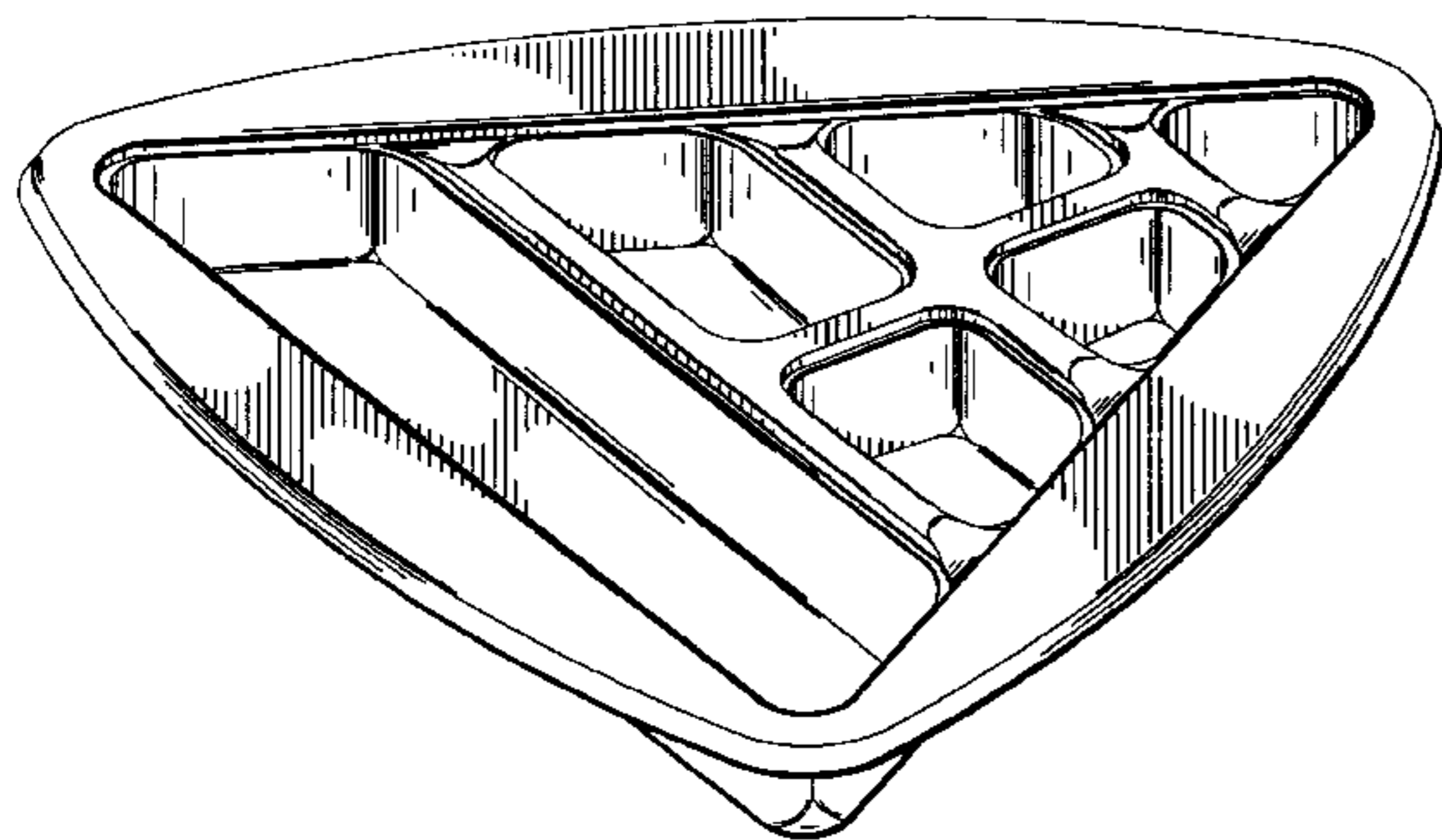
[57] **CLAIM**

The ornamental design for a compartmentalized plate, as shown and described.

DESCRIPTION

FIG. 1 is a perspective view of a first embodiment of a compartmentalized plate according to my new design; FIG. 2 is a rear elevational view of the embodiment of FIG. 1; FIG. 3 is a right side view of the embodiment of FIG. 1; FIG. 4 is a front elevational view of the embodiment of FIG. 1; FIG. 5 is a top plan view of the embodiment of FIG. 1; FIG. 6 is a bottom plan view of the embodiment of FIG. 1; FIG. 7 is a perspective view of a second embodiment of a compartmentalized plate according to my new design; FIG. 8 is a rear elevational view of the embodiment of FIG. 7; FIG. 9 is a right side view of the embodiment of FIG. 7; FIG. 10 is a front elevational view of the embodiment of FIG. 7; FIG. 11 is a top plan view of the embodiment of FIG. 7; and, FIG. 12 is a bottom plan view of the embodiment of FIG. 7.

1 Claim, 4 Drawing Sheets



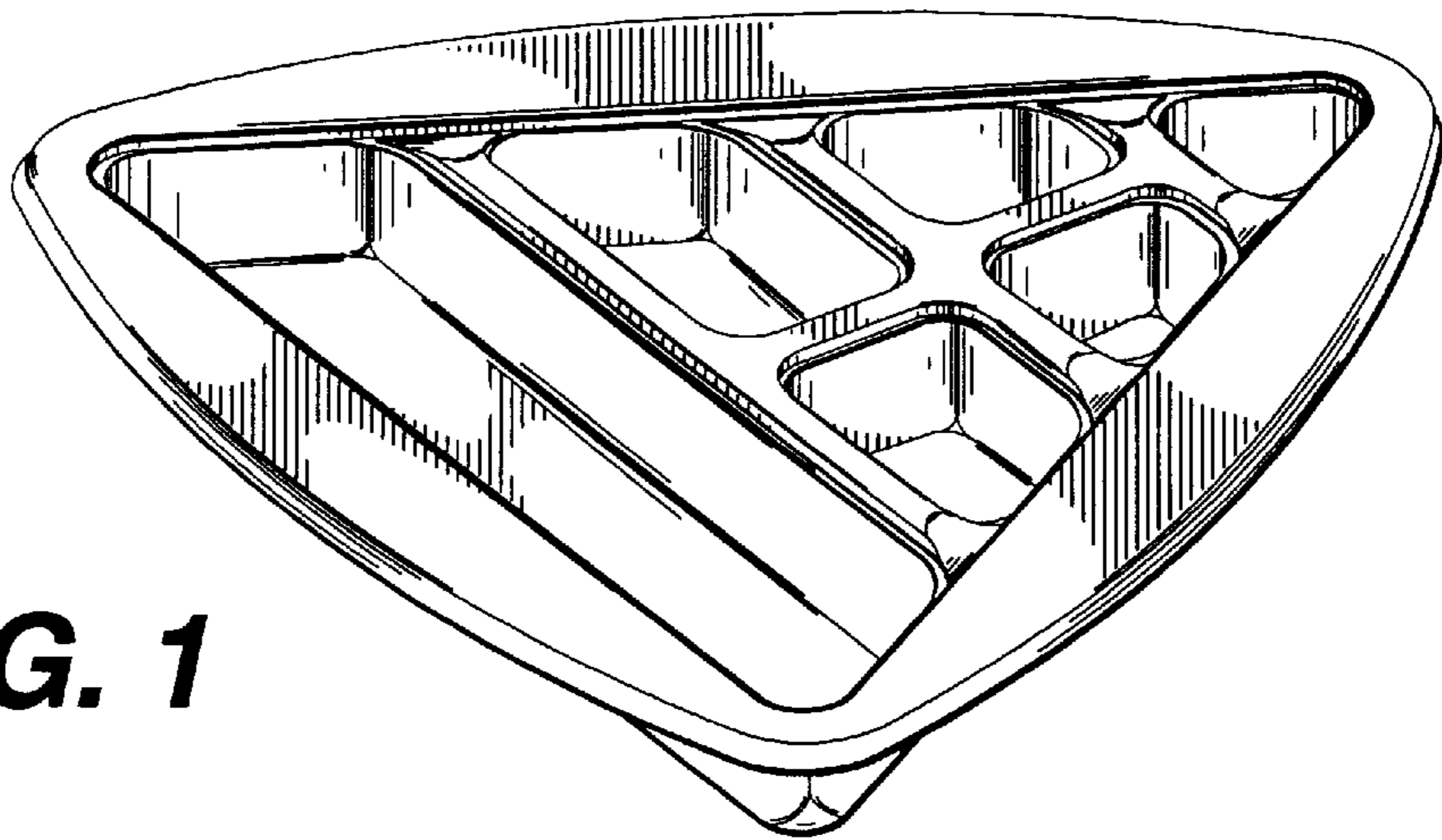


FIG. 1

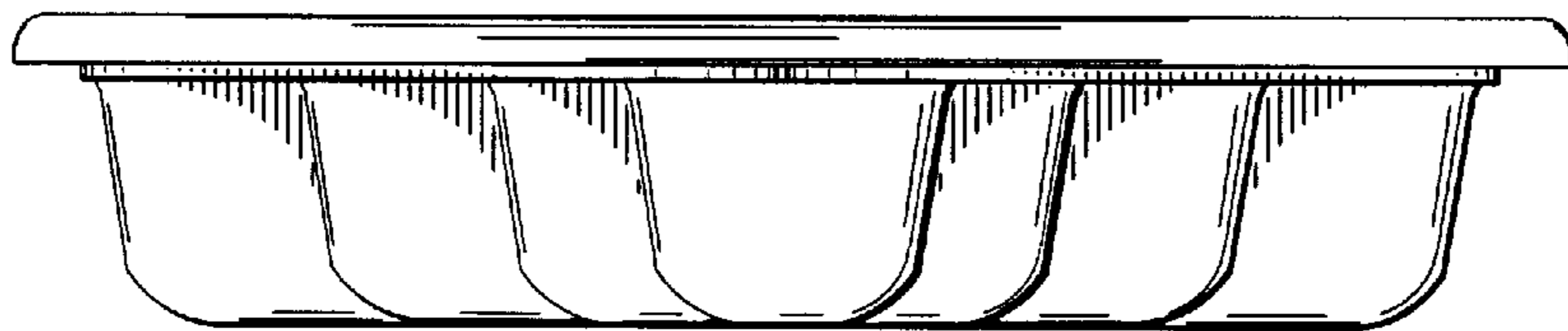


FIG. 2

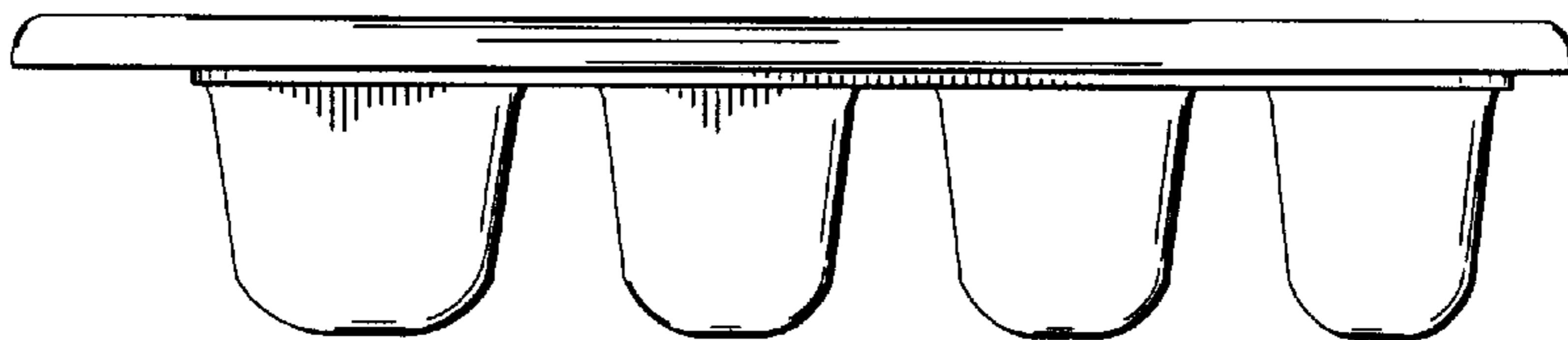


FIG. 3

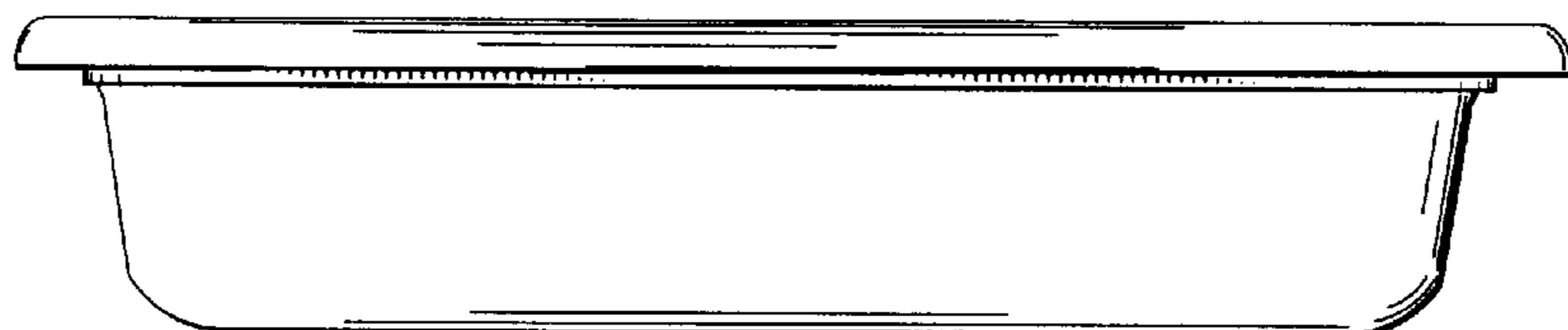


FIG. 4

FIG. 5

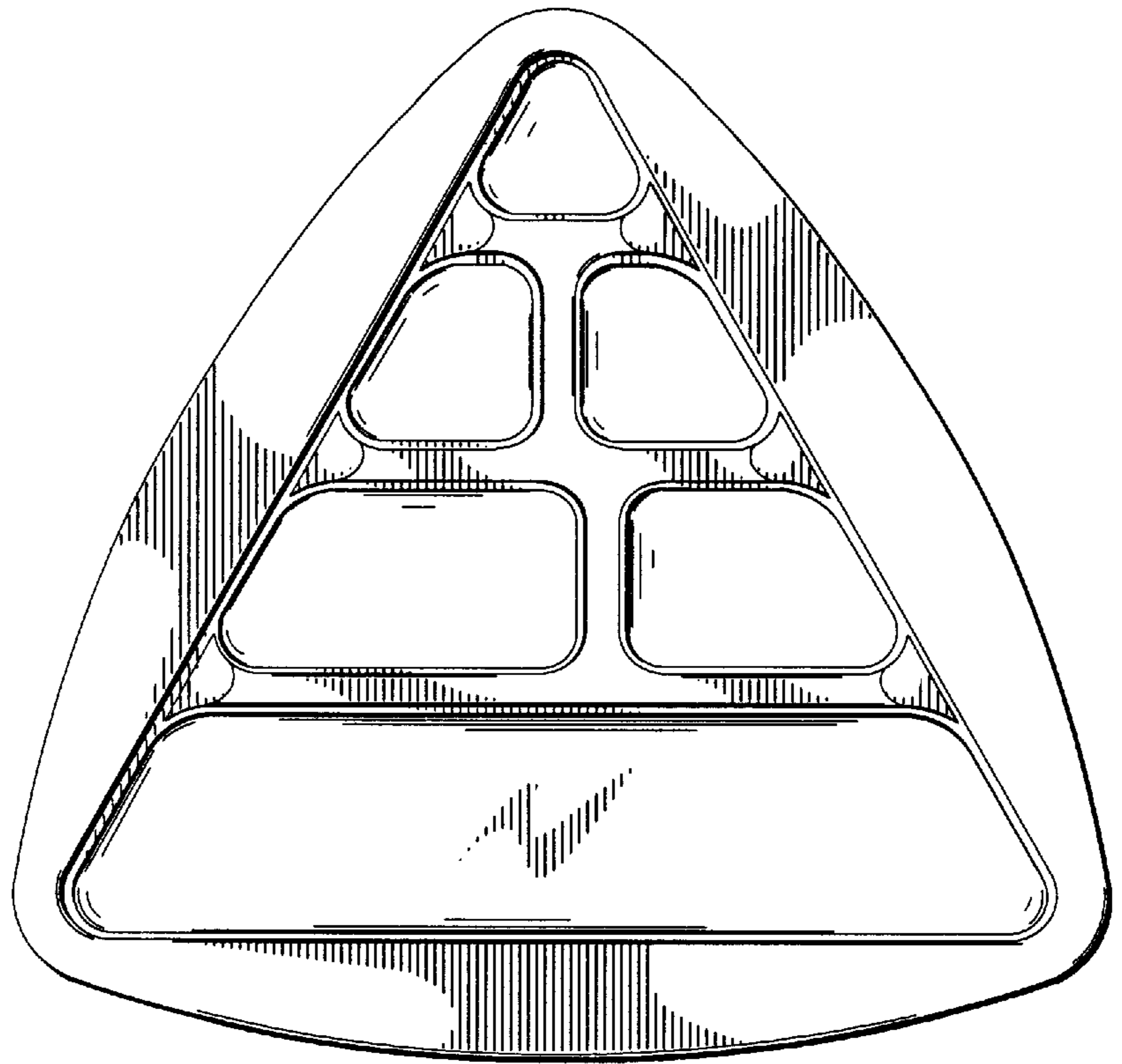
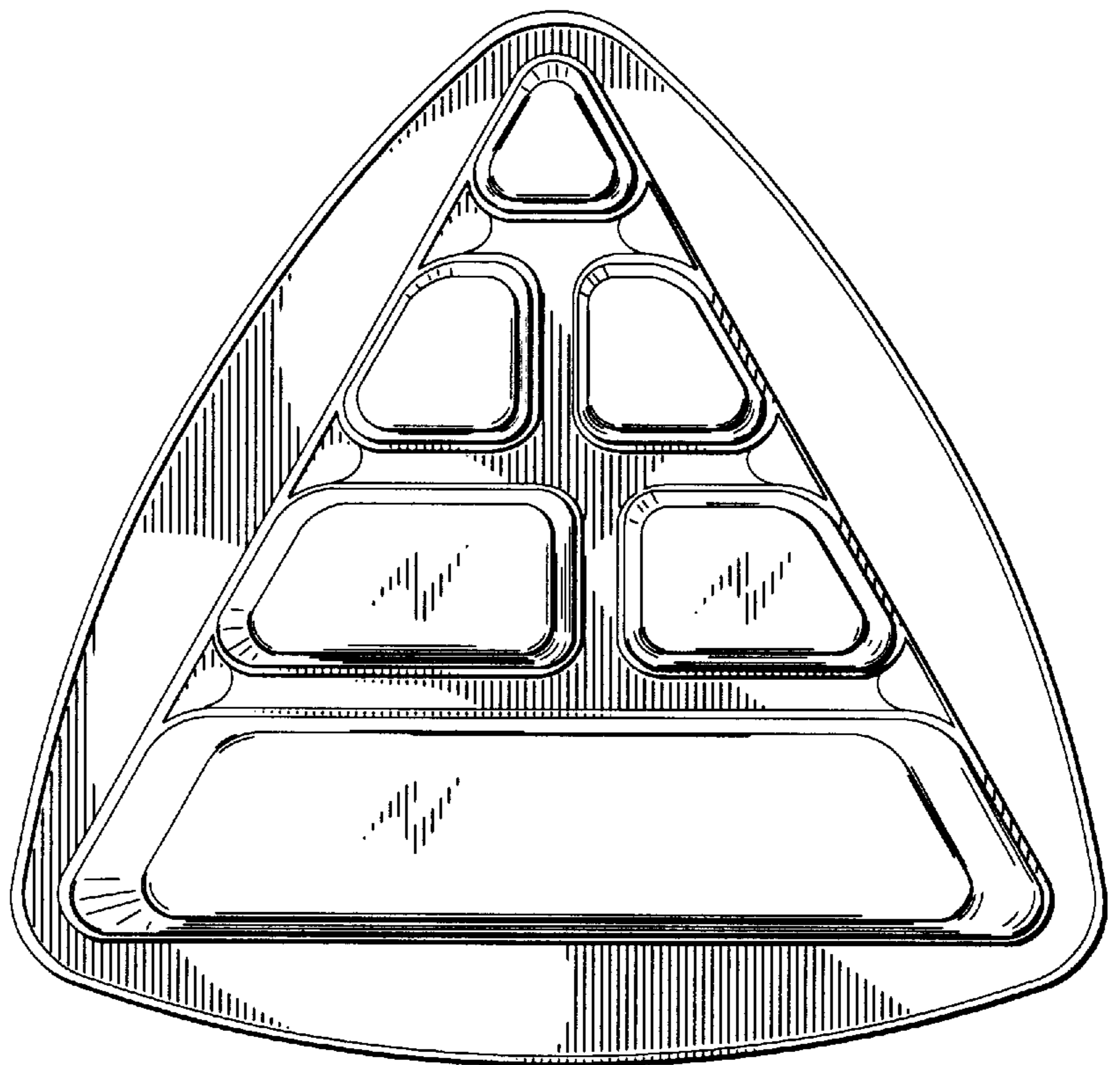


FIG. 6



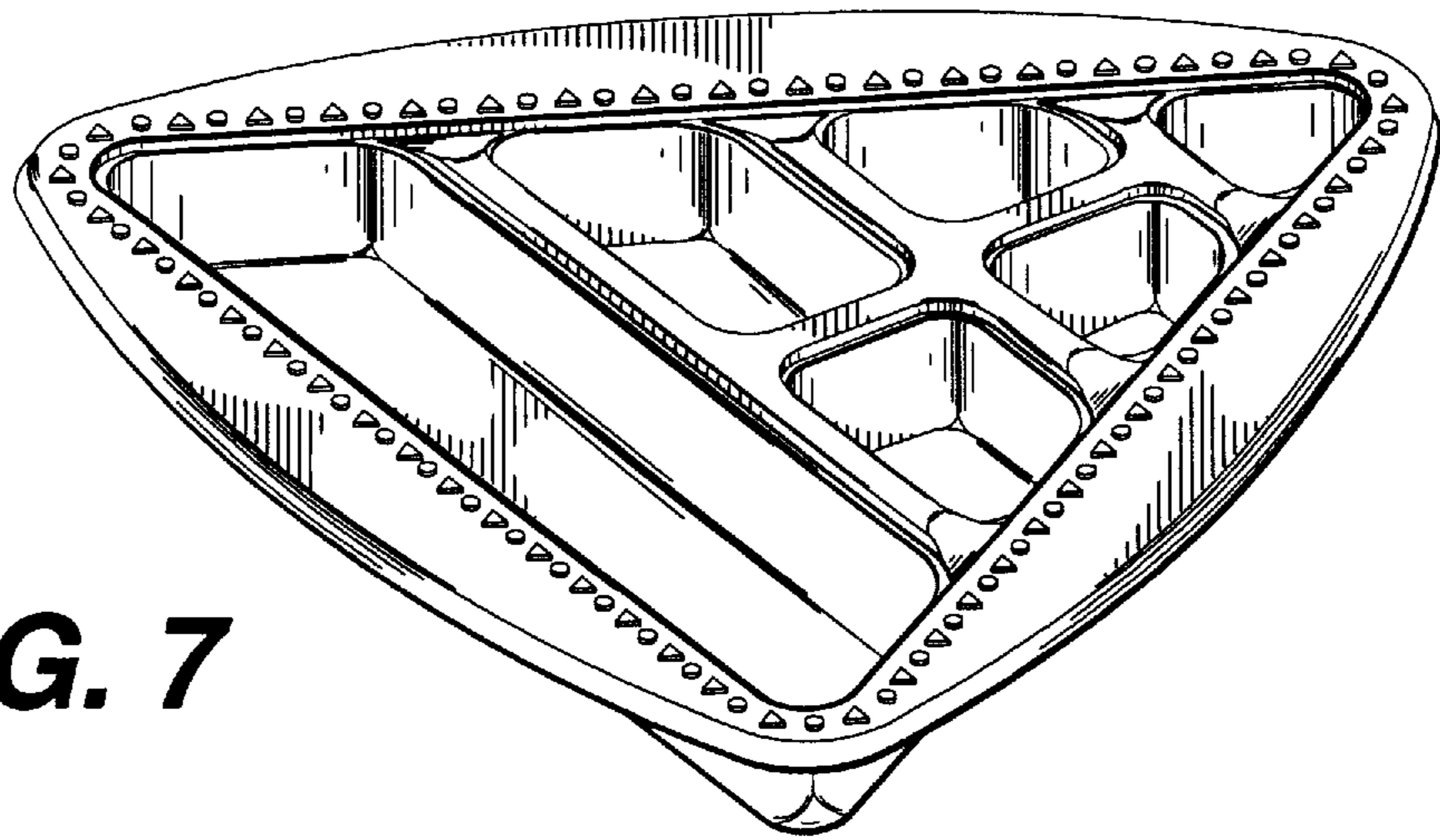


FIG. 7

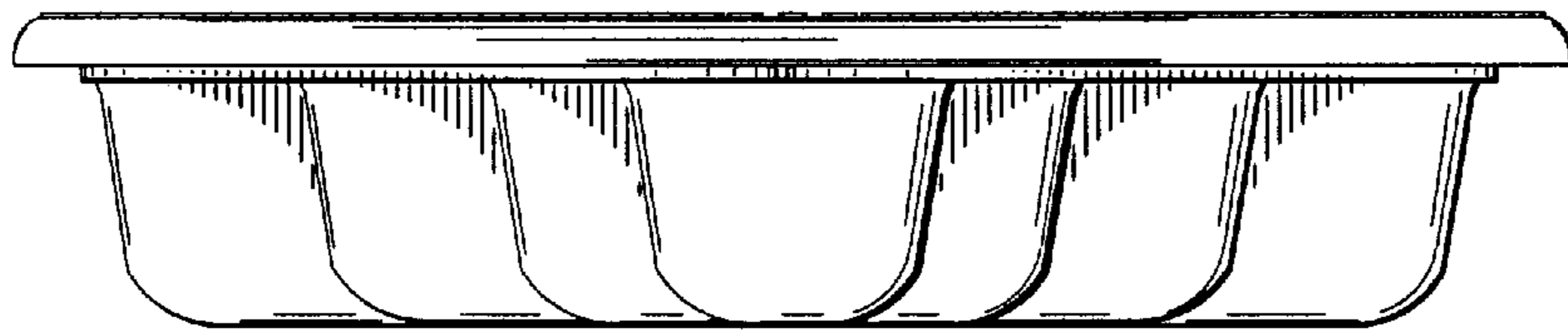


FIG. 8

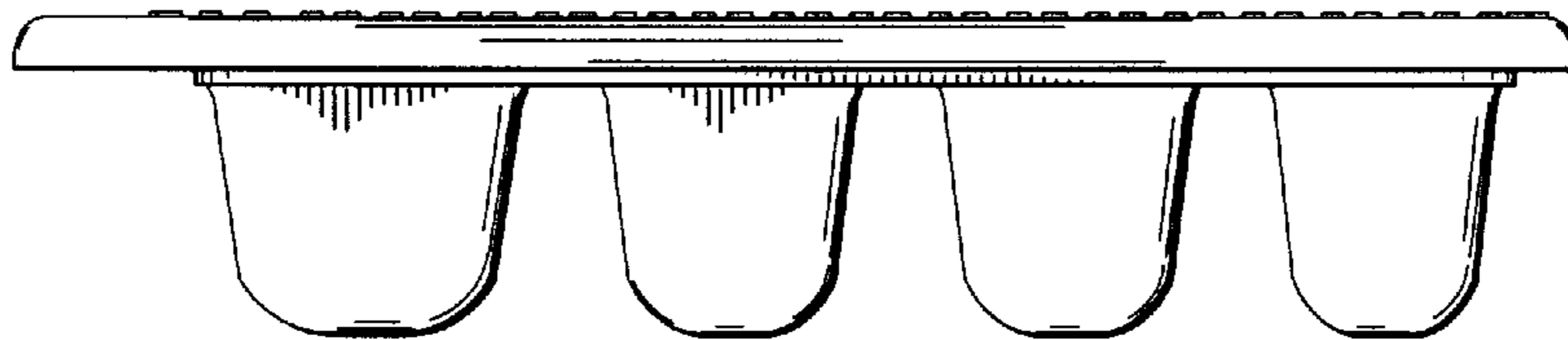


FIG. 9

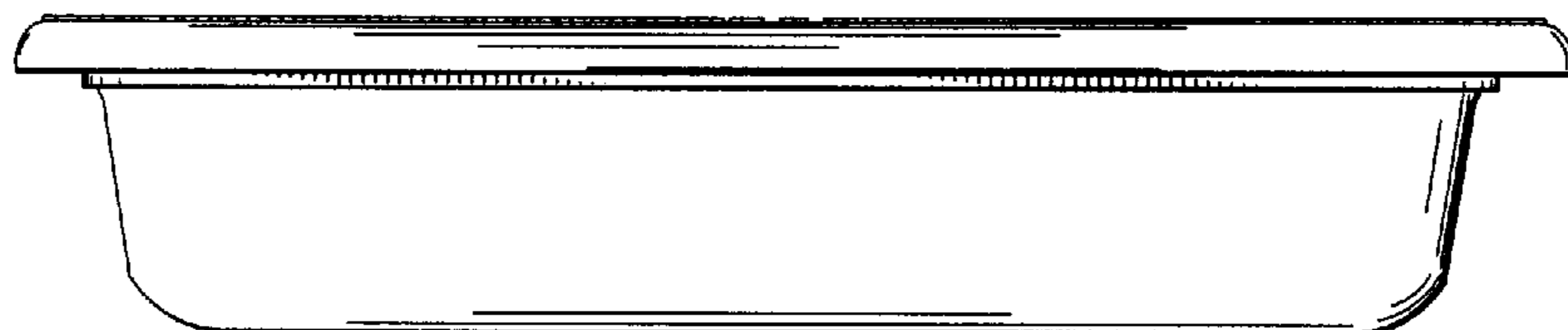


FIG. 10

FIG. 11

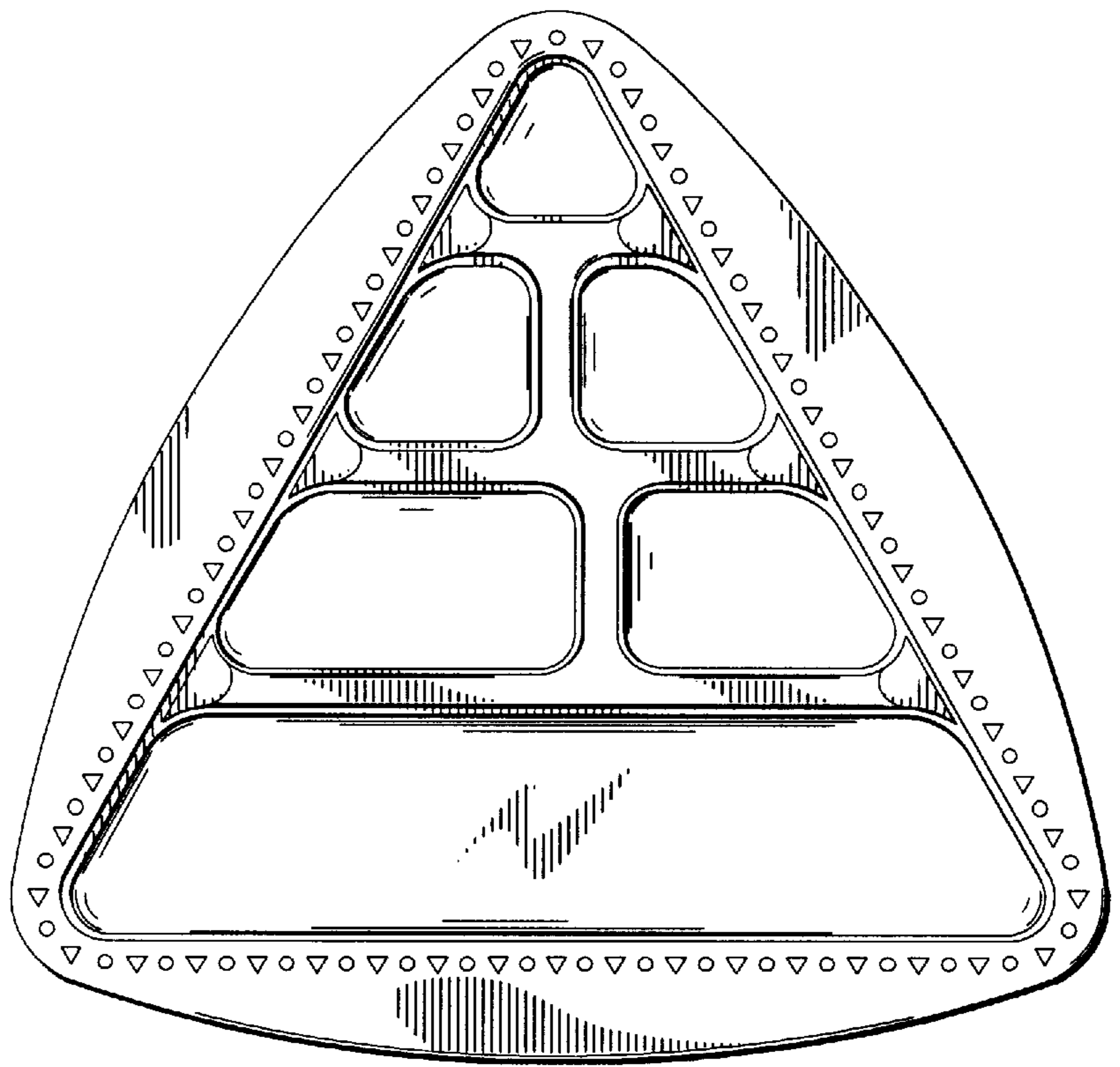


FIG. 12

