



US00D400402S

United States Patent [19]
Petkovich, Jr.

[11] **Patent Number: Des. 400,402**

[45] **Date of Patent: **Nov. 3, 1998**

[54] **SAMPLER BOWL**

[76] **Inventor: Gene L. Petkovich, Jr., 2220 Taft Park, Metairie, La. 70001**

[**] **Term: 14 Years**

[21] **Appl. No.: 80,465**

[22] **Filed: Oct. 1, 1997**

[51] **LOC (6) Cl. 07-01**

[52] **U.S. Cl. D7/549; D7/505; D7/555; D7/596**

[58] **Field of Search D7/396.6, 396.1, D7/393, 394, 395, 548, 704, 354, 357, 597, 596, 543, 545, 546, 547, 552, 554, 557, 566, 568, 570, 584, 586, 587, 601, 602; 206/378; 220/505, 23.2; 294/159; D30/130, 129**

[56] **References Cited**

U.S. PATENT DOCUMENTS

D. 157,803	3/1950	Ulmer	D7/357
D. 170,917	11/1953	Gruen	D7/501
D. 183,434	8/1958	Warren	D7/501
D. 193,308	7/1962	Jackson	D7/501

D. 261,465	10/1981	Minchew	D7/555
D. 352,424	11/1994	Asner	D7/704
D. 353,083	12/1994	Simon	D30/130
D. 381,554	7/1997	Tichenor	D7/357
1,250,888	12/1917	Johnson	D7/704
1,308,482	7/1919	Cohn et al.	D7/357
3,773,212	11/1973	Seukler	220/83
4,351,444	9/1982	Majewski	220/20
4,966,295	10/1990	Parrish	220/22.3
5,341,953	8/1994	Forester	220/575
5,429,231	7/1995	McSpadden	206/217
5,607,077	3/1997	Torkelson	220/575

Primary Examiner—M. N. Pandozzi
Attorney, Agent, or Firm—Joseph N. Breaux

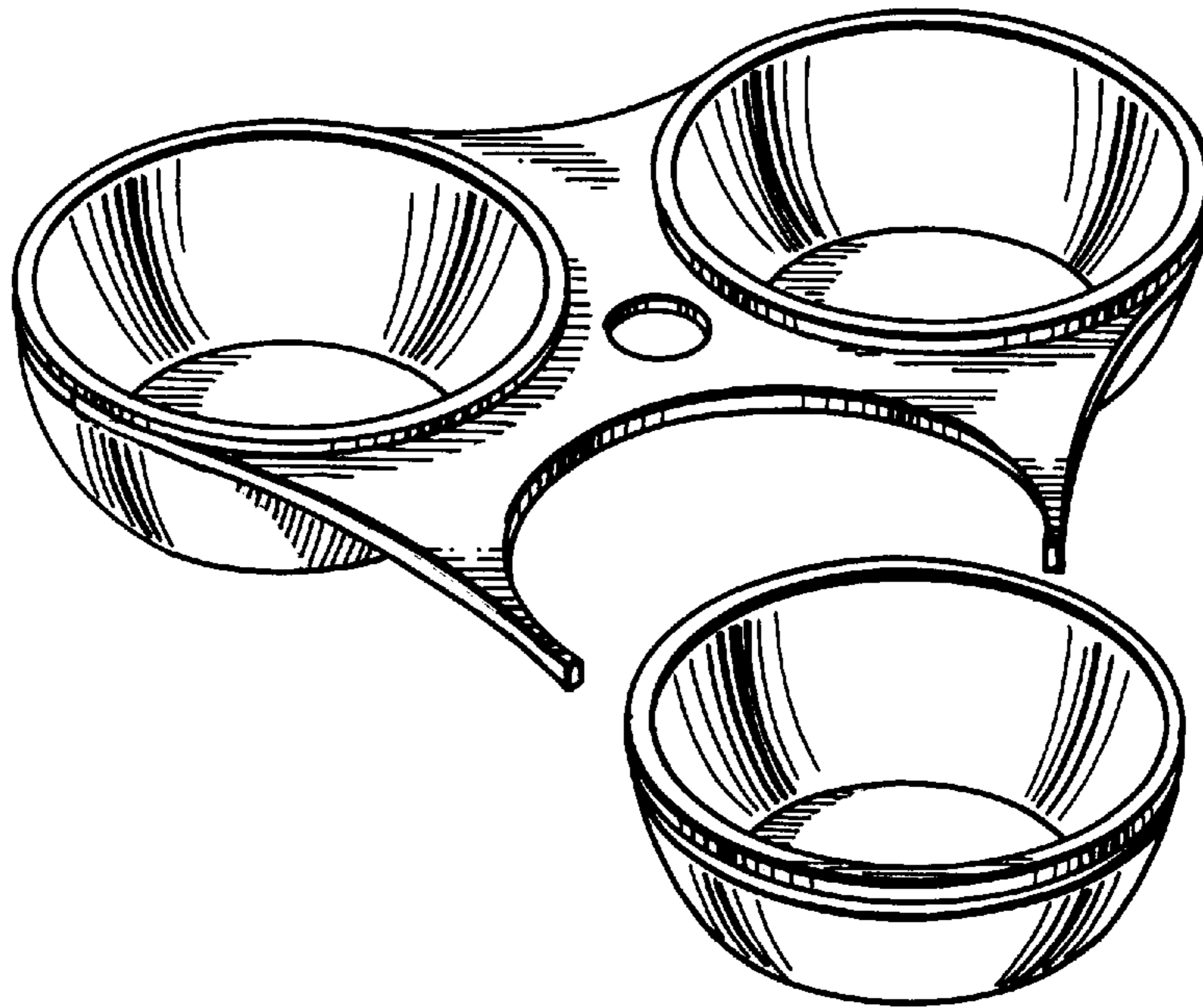
[57] **CLAIM**

The ornamental design for a sampler bowl, as shown.

DESCRIPTION

FIG. 1 is a top perspective view of a sampler bowl showing my new design;
FIG. 2 is a typical side elevational view thereof;
FIG. 3 is an exploded top perspective view thereof;
FIG. 4 is a top view of my sampler bowl design; and,
FIG. 5 is a bottom plan view thereof.

1 Claim, 2 Drawing Sheets



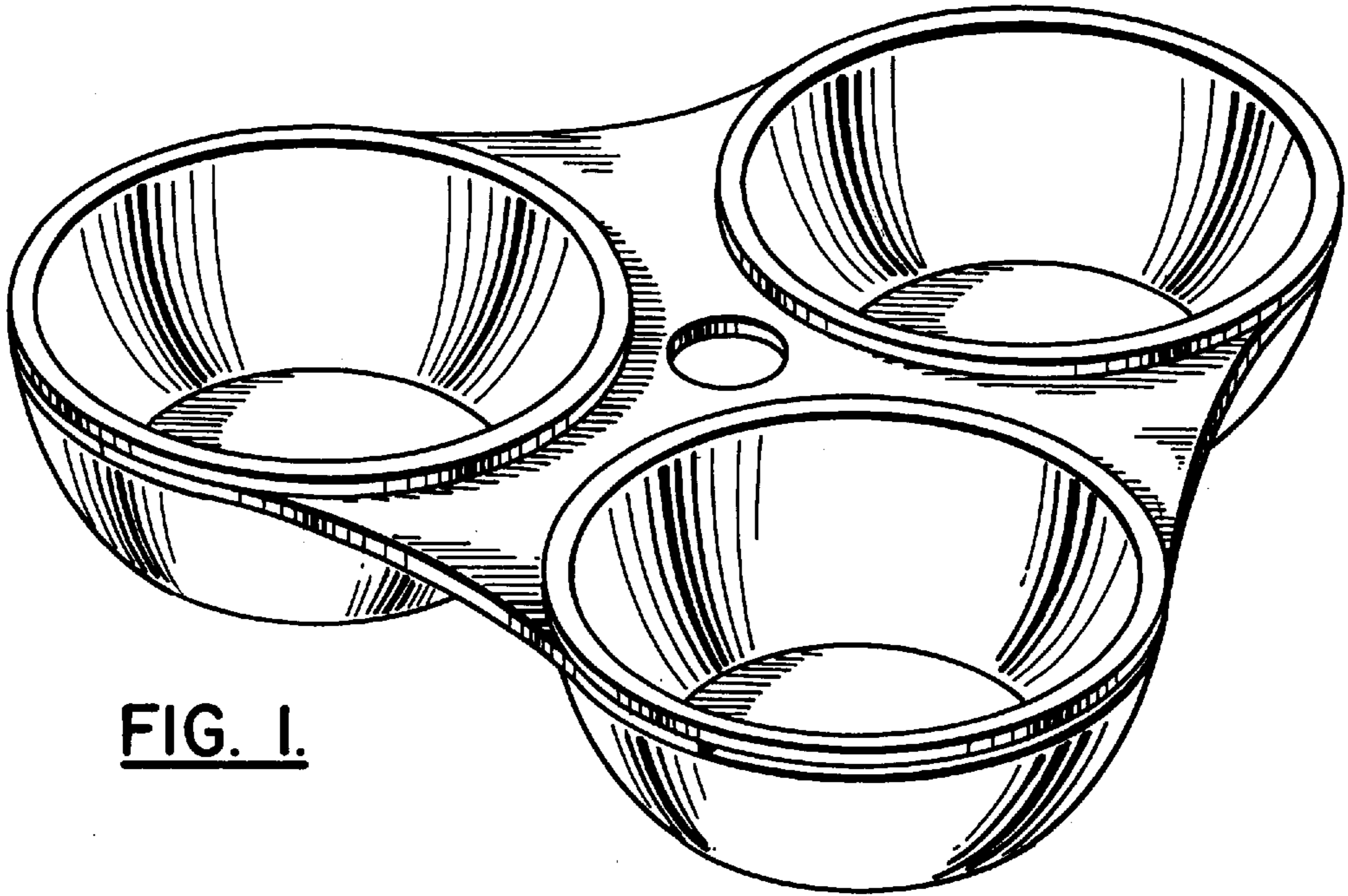


FIG. 1.

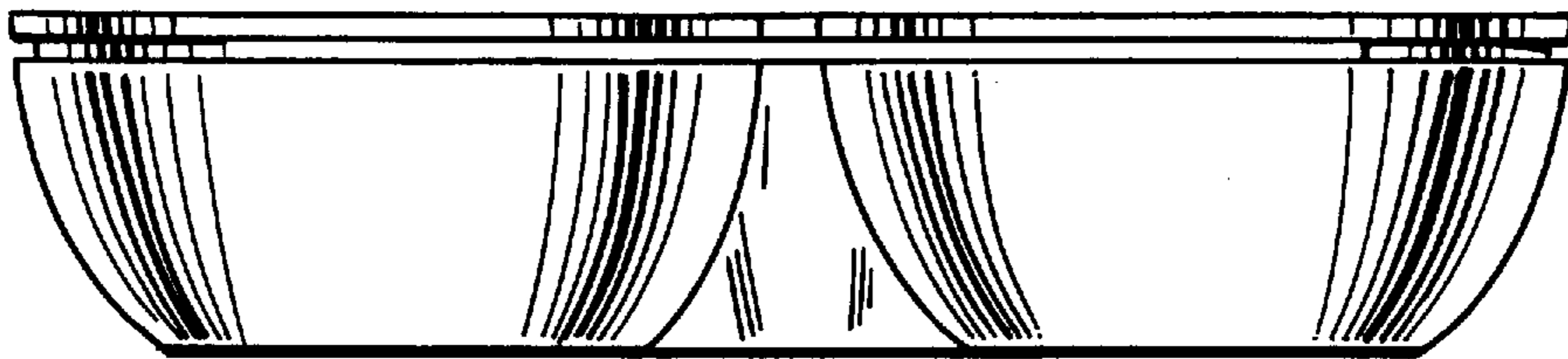


FIG. 2.

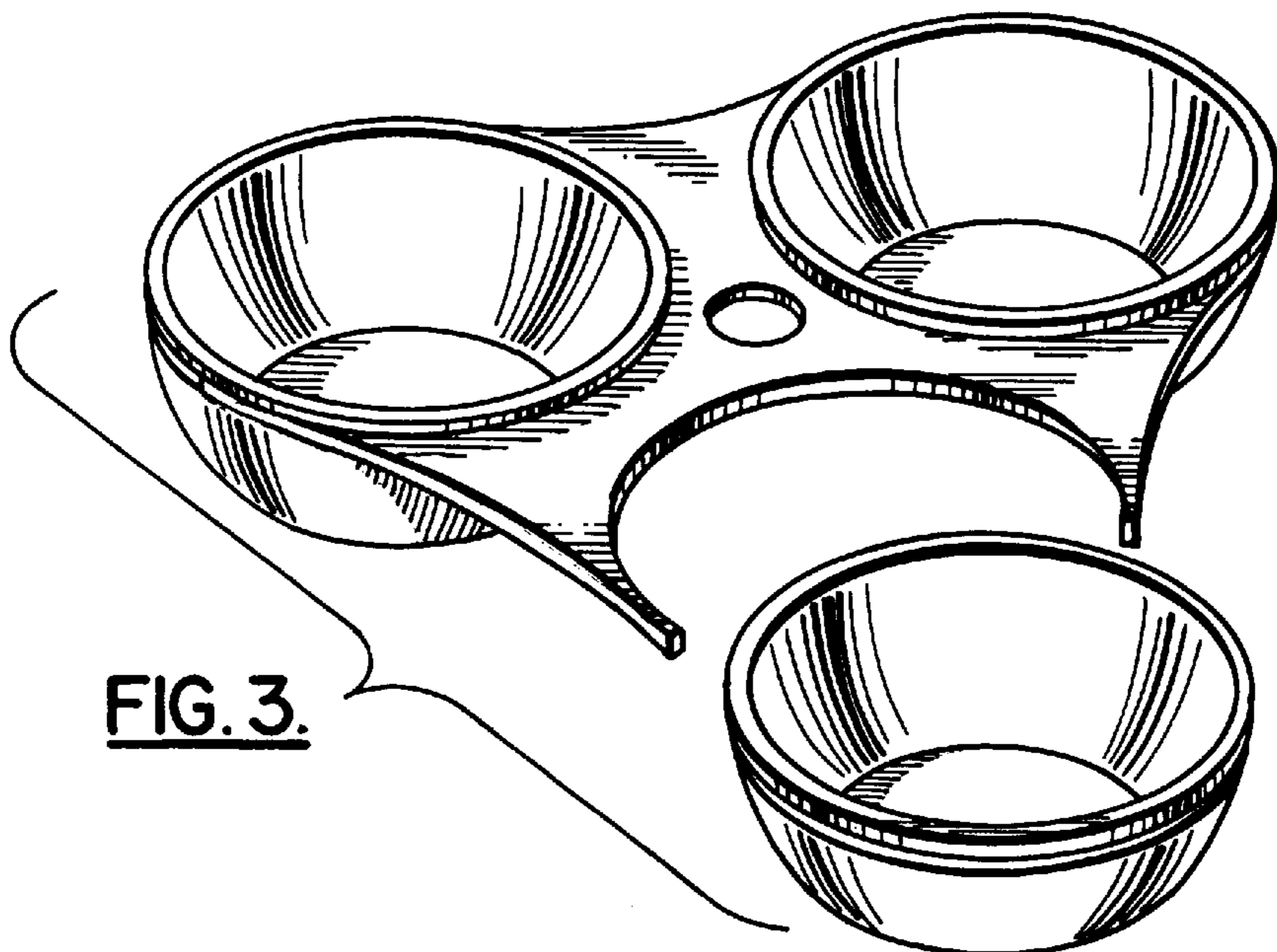


FIG. 3.

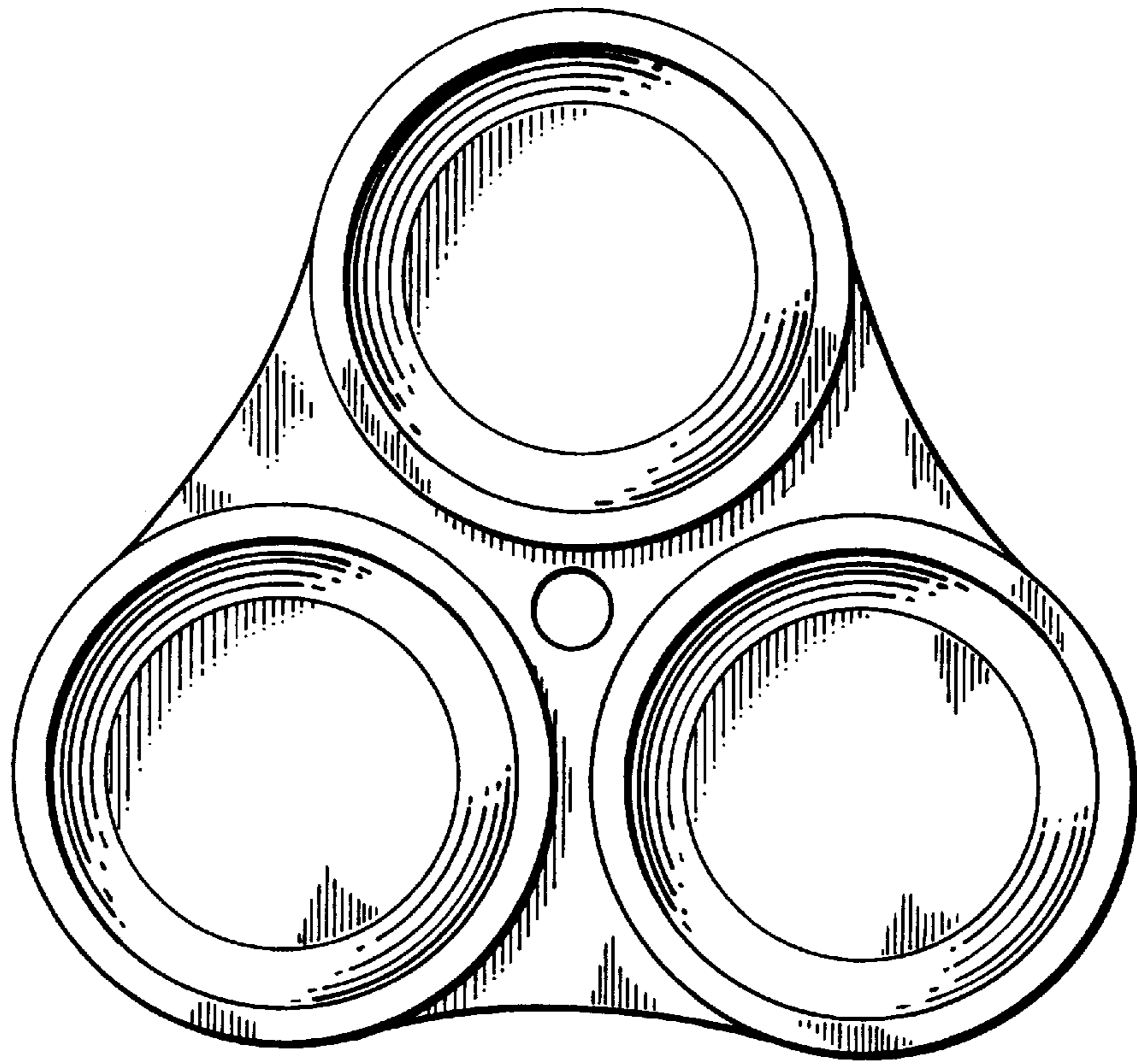


FIG. 4.

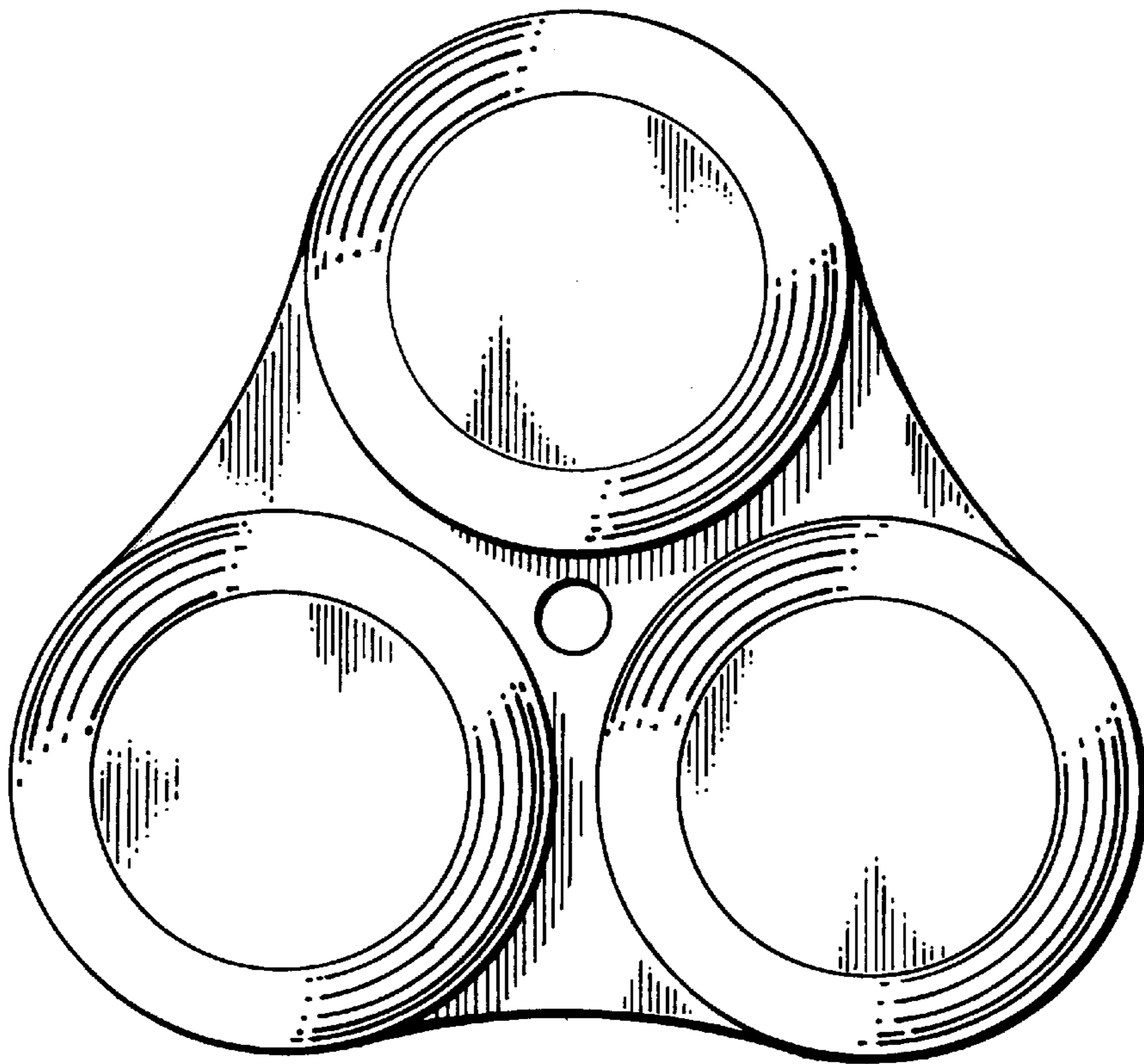


FIG. 5.