



US00D400399S

**United States Patent** [19]  
**Hurst**

[11] **Patent Number: Des. 400,399**

[45] **Date of Patent: \*\*Nov. 3, 1998**

[54] **DRINK CONTAINER**

[75] Inventor: **Dwayne S. Hurst**, Lutz, Fla.

[73] Assignee: **Palomino Sports, Inc.**, Tampa, Fla.

[\*\*] Term: **14 Years**

[21] Appl. No.: **82,736**

[22] Filed: **Jan. 29, 1998**

[51] **LOC (6) Cl.** ..... **07-01**

[52] **U.S. Cl.** ..... **D7/515; D7/536**

[58] **Field of Search** ..... D7/515, 510, 514,  
D7/511, 536, 533, 557, 563, 623, 622;  
D9/307; 220/758

[56] **References Cited**

**U.S. PATENT DOCUMENTS**

D. 283,009 3/1986 Jennette ..... D9/307  
D. 292,462 10/1987 Petrsek ..... D7/515  
D. 354,882 1/1995 Hurst et al. .... D7/515

D. 364,997 12/1995 Steinfels, III ..... D7/536  
D. 372,836 8/1996 Hurst et al. .... D7/515  
D. 375,226 11/1996 Blankenburg et al. .... D7/515  
D. 376,730 12/1996 Hurst et al. .... D7/515

*Primary Examiner*—M. N. Pandozzi  
*Attorney, Agent, or Firm*—Carlton Fields et al.

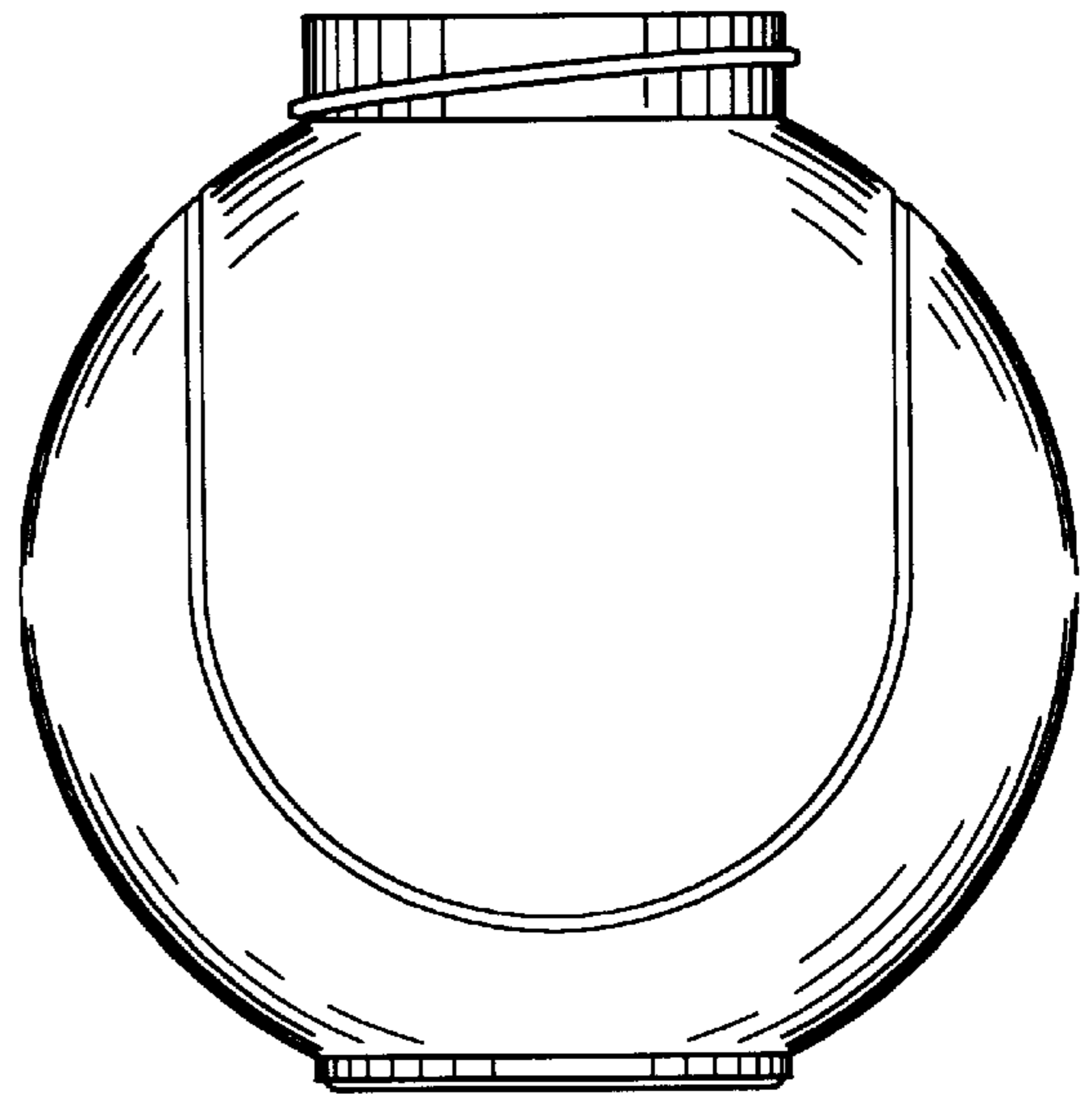
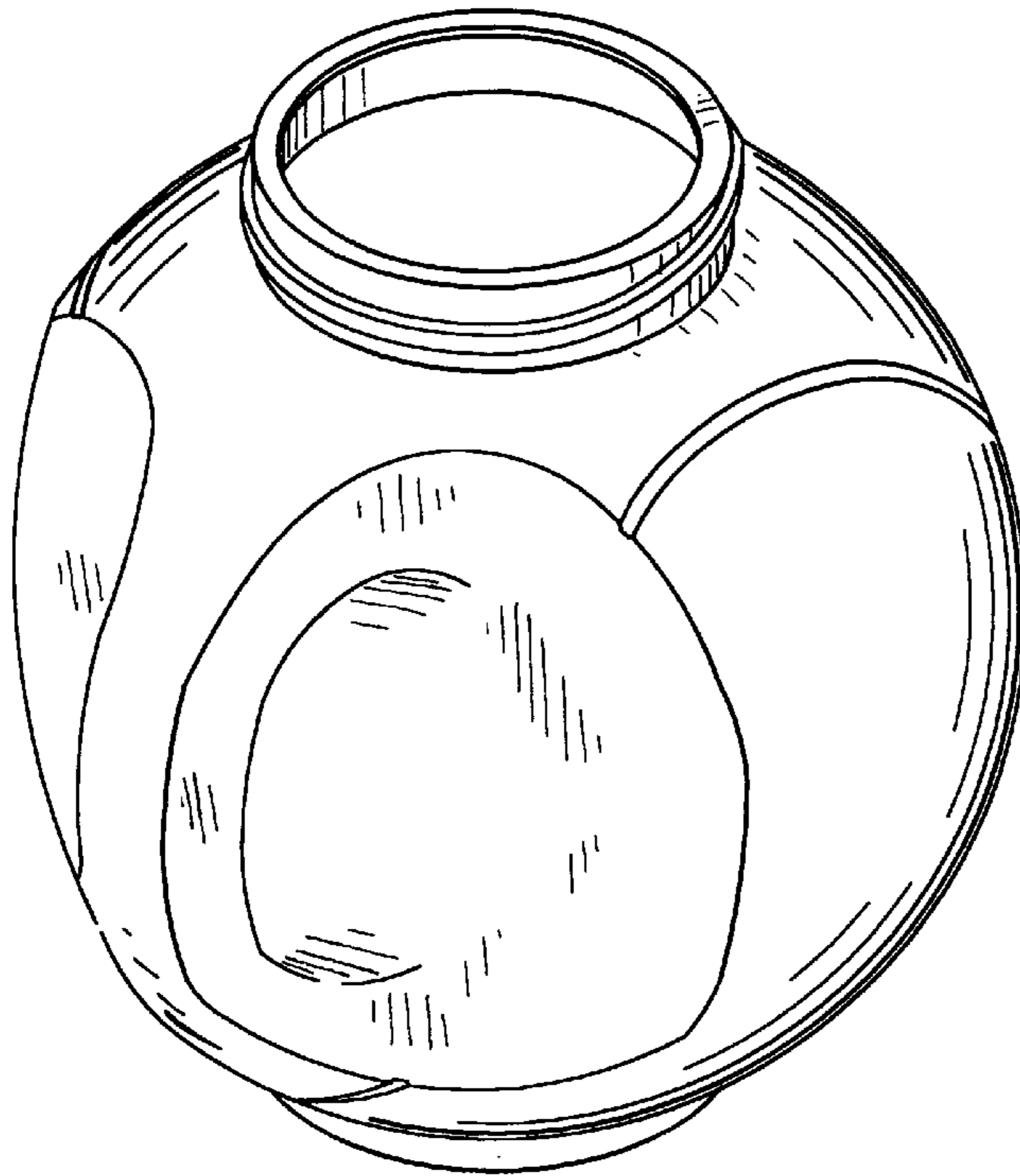
[57] **CLAIM**

The ornamental design for a drink container, as shown.

**DESCRIPTION**

FIG. 1 is an upper rear perspective view of the drink container of this invention;  
FIG. 2 is a rear elevational view thereof;  
FIG. 3 is a front elevational view thereof;  
FIG. 4 is a right elevational view thereof;  
FIG. 5 is a left elevational view thereof;  
FIG. 6 is a top plan view thereof; and,  
FIG. 7 is a bottom plan view thereof.

**1 Claim, 4 Drawing Sheets**



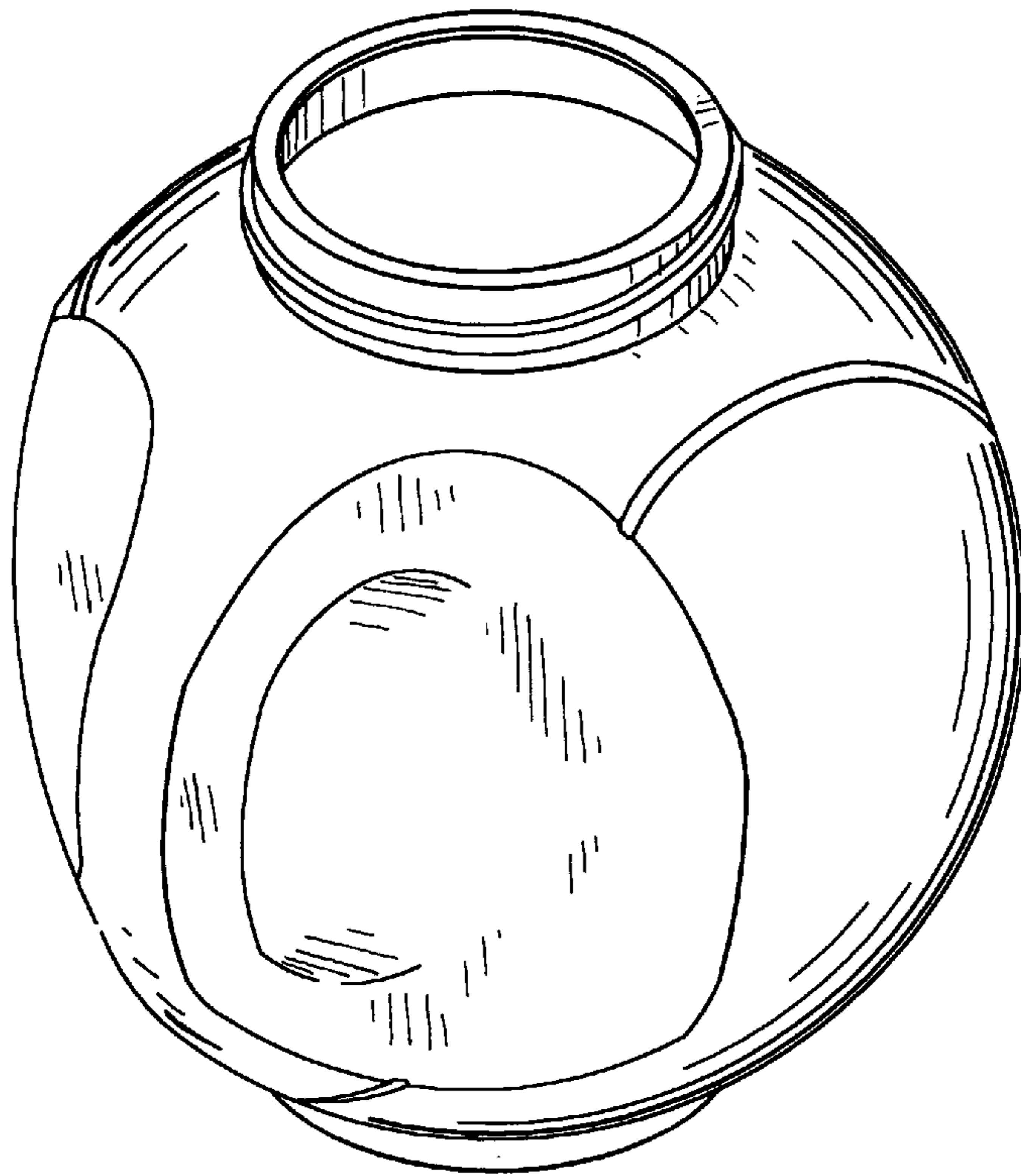


Fig. 1

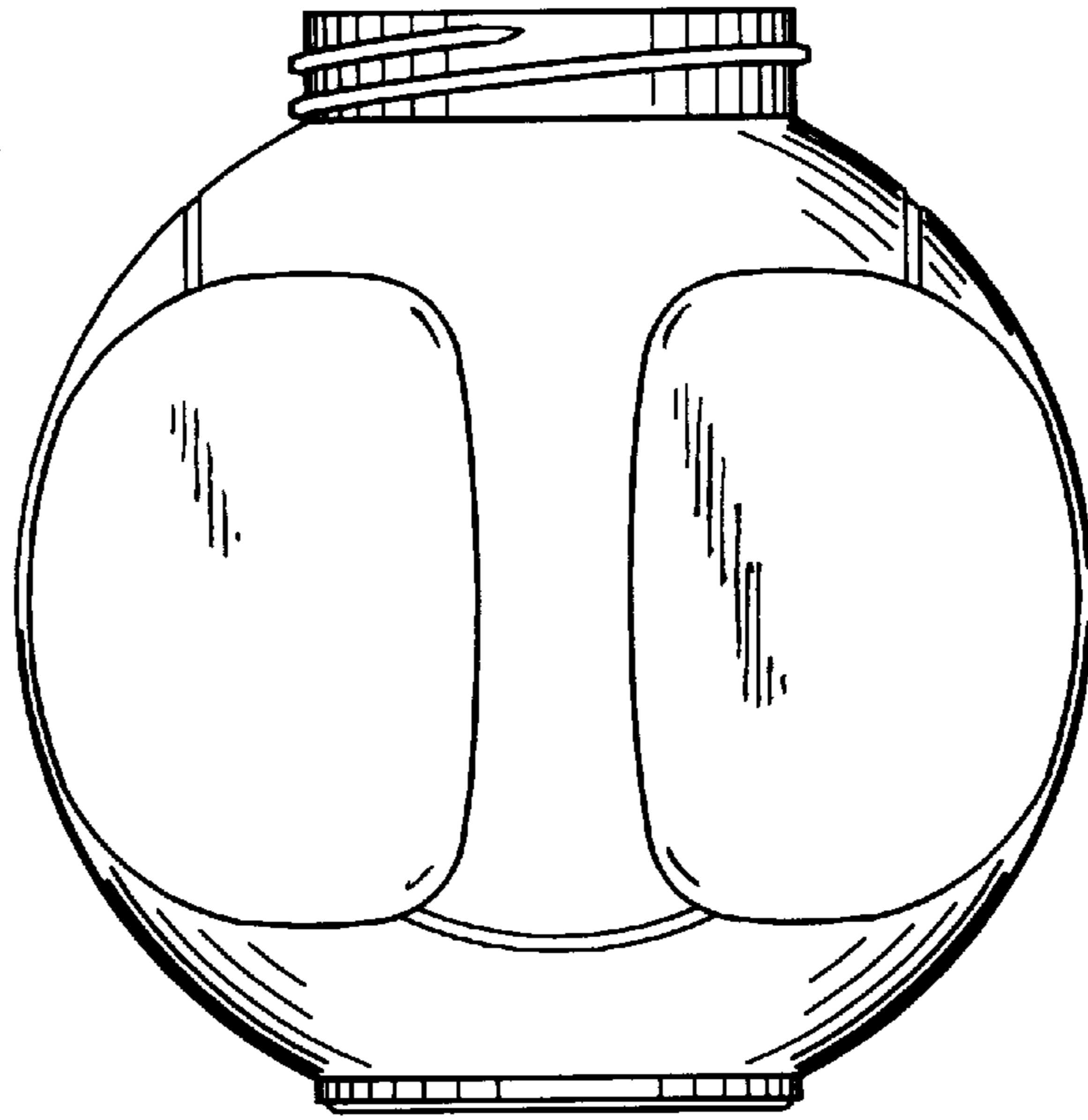


Fig. 2

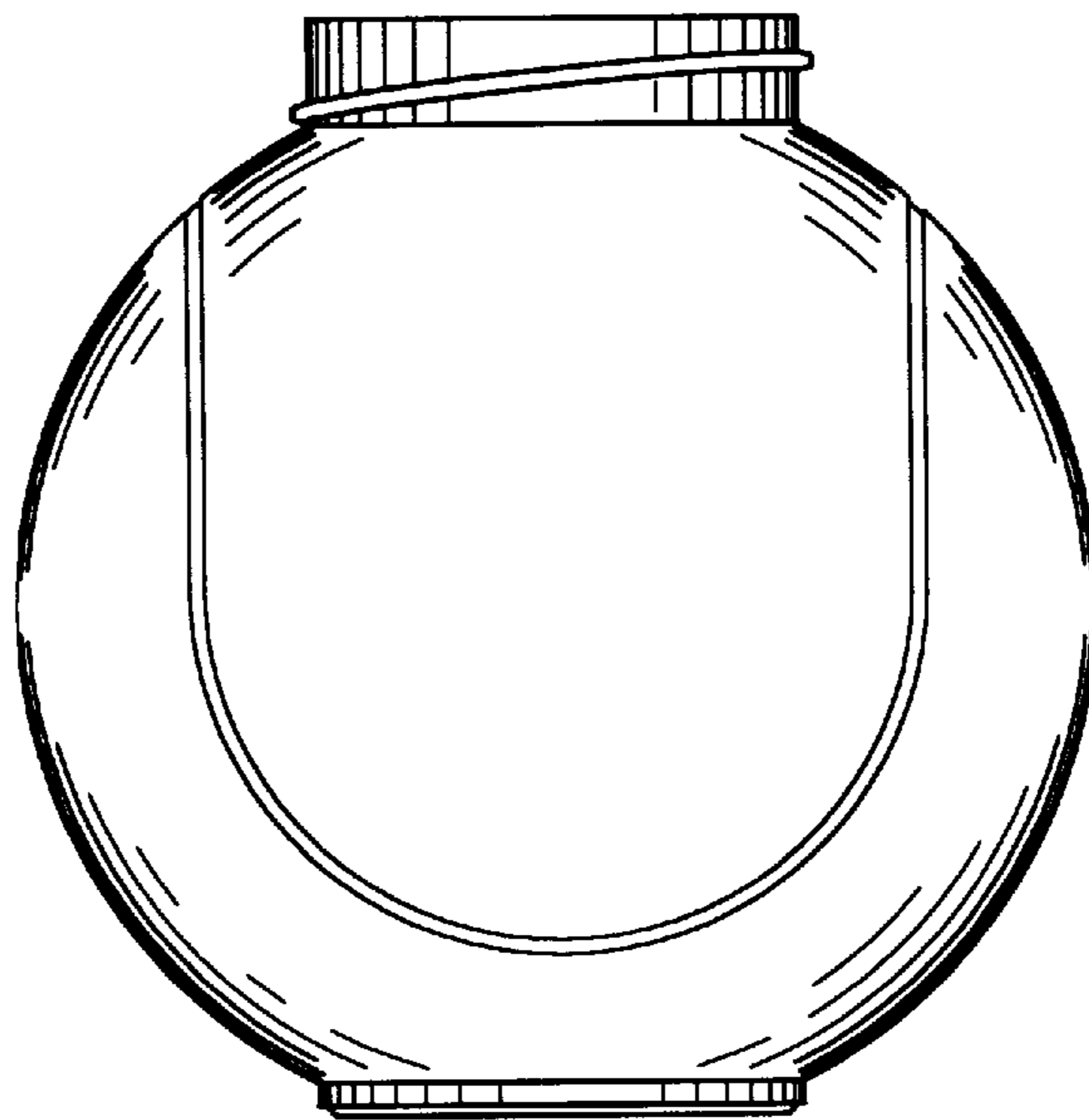


Fig. 3

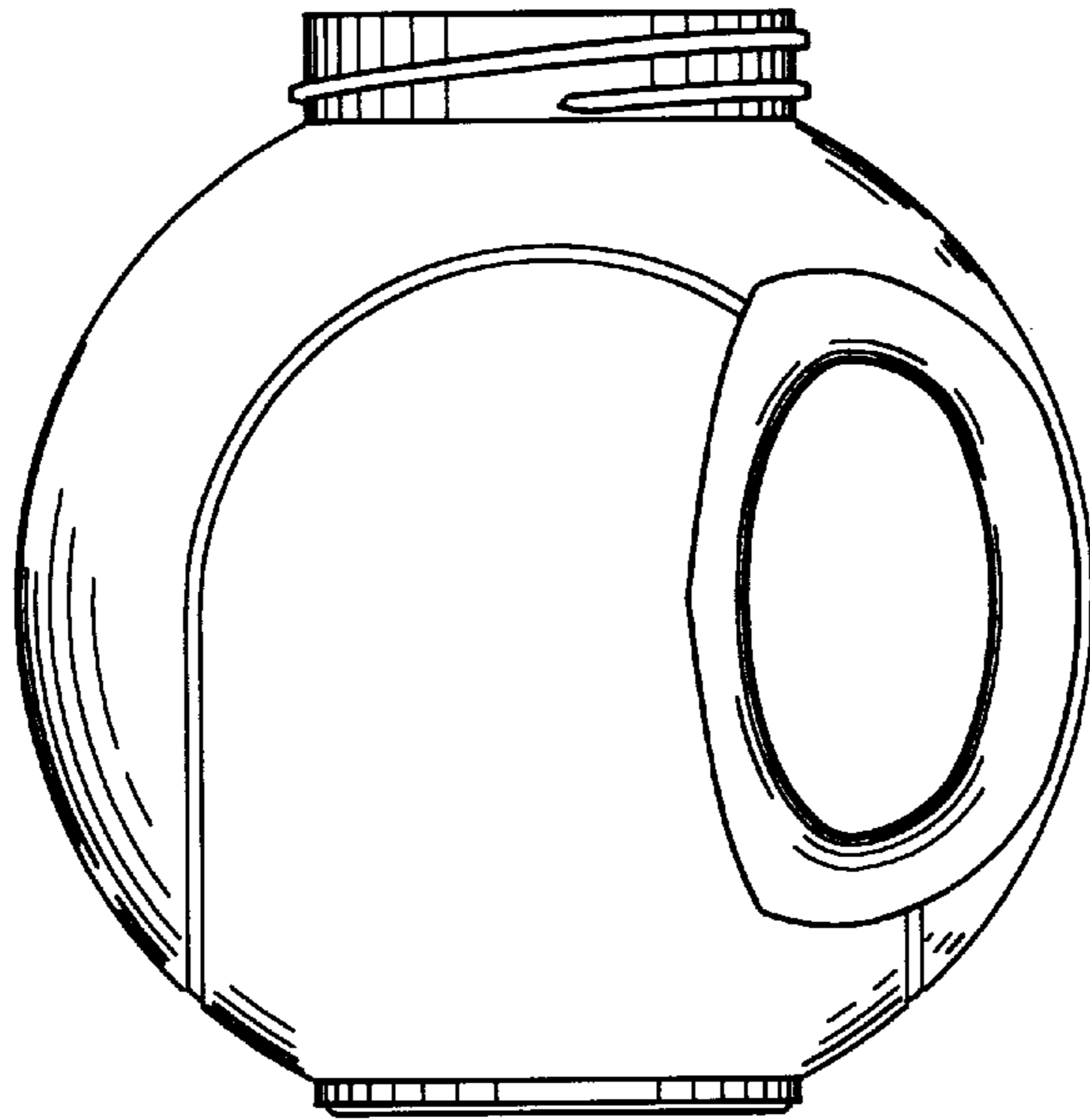


Fig. 4

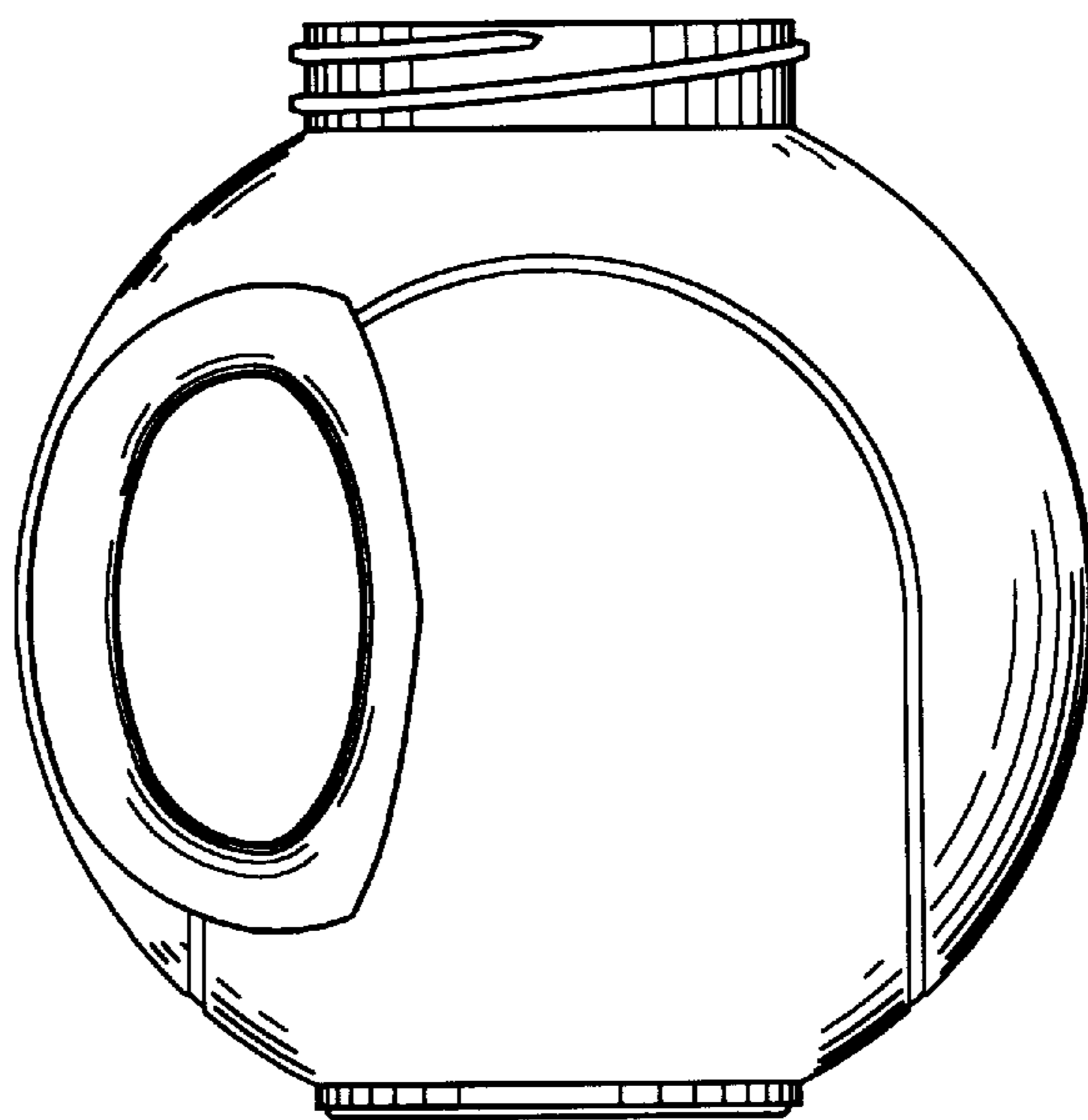


Fig. 5

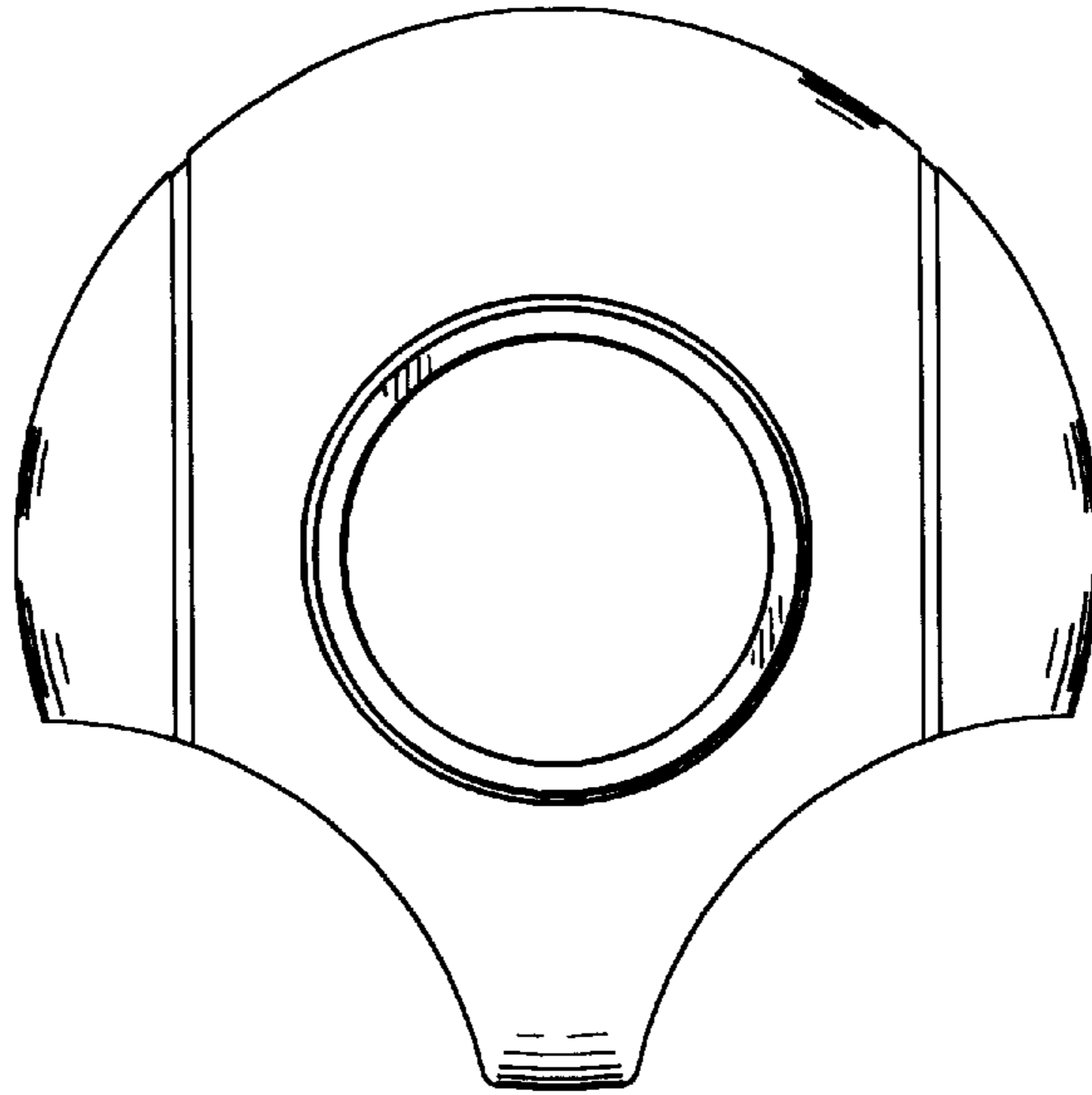


Fig. 6

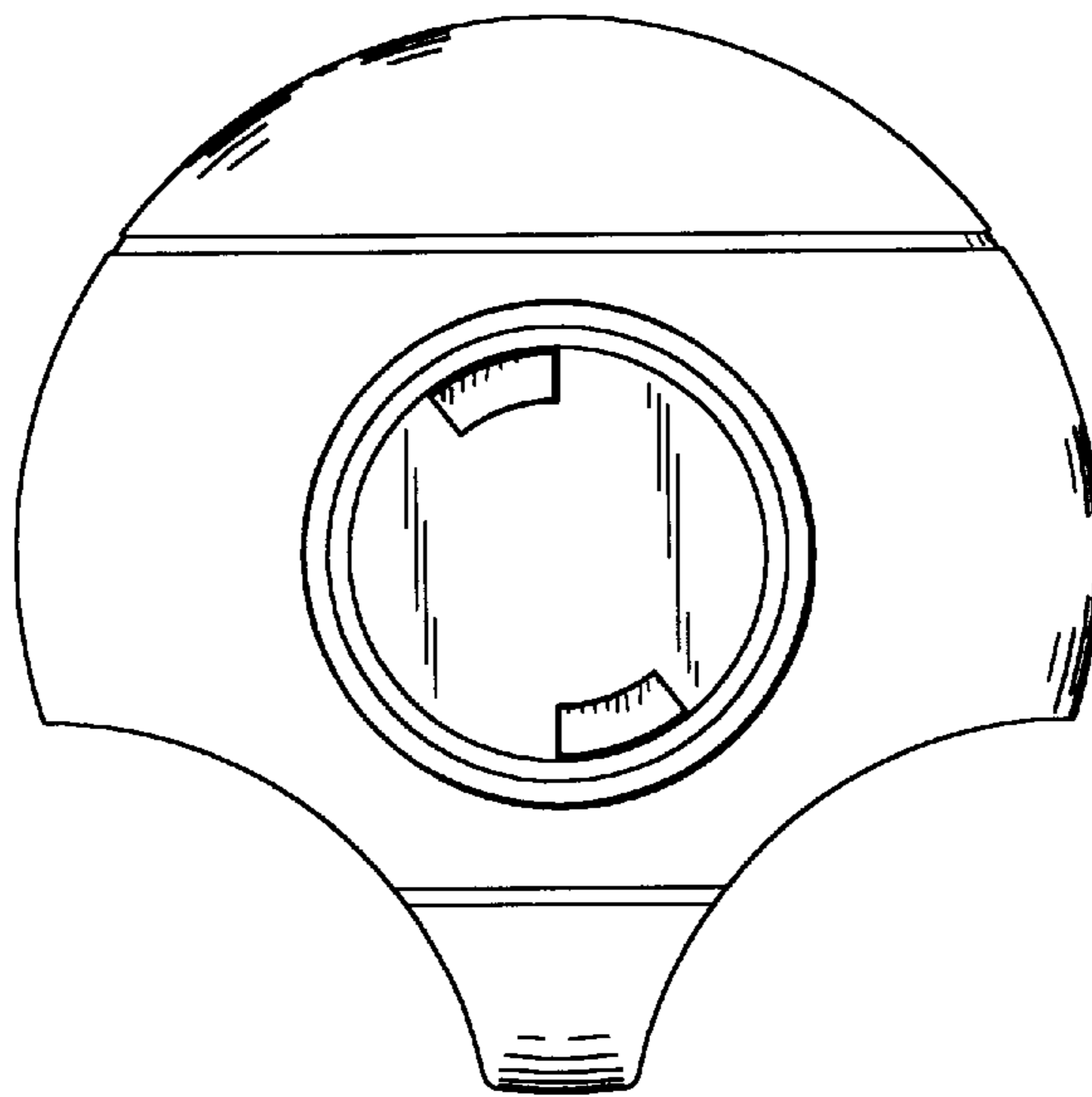


Fig. 7