



US00D400398S

United States Patent [19]
McNaughton

[11] **Patent Number: Des. 400,398**

[45] **Date of Patent: **Nov. 3, 1998**

[54] **CUP**

[75] Inventor: **Patrick James McNaughton,**
Plymouth, Minn.

[73] Assignee: **McNaughton, Inc.,** Minneapolis, Minn.

[**] Term: **14 Years**

[21] Appl. No.: **78,335**

[22] Filed: **Oct. 21, 1997**

[51] **LOC (6) Cl. 07-01**

[52] **U.S. Cl. D7/513; D7/503; D7/555**

[58] **Field of Search D7/503, 507, 505,**
D7/509, 510, 511, 513, 515, 523, 524,
536, 555; 220/709, 705, 707

[56] **References Cited**

U.S. PATENT DOCUMENTS

D. 99,531 5/1936 Sterling D7/513
D. 222,375 10/1971 Bencik D7/523

D. 287,885 1/1987 Bolduc D7/523 X
D. 304,514 11/1989 Vezirian et al. D7/524 X
D. 304,658 11/1989 Mattei D7/505
D. 310,941 10/1990 Carty D7/513 X
D. 337,920 8/1993 Rowe D7/513 X
D. 363,854 11/1995 Katz D7/507 X
1,832,585 11/1931 Sample D7/505 X
2,288,044 6/1942 Stemme D7/507 X
3,269,144 8/1966 Poris D7/523 X

Primary Examiner—M. N. Pandozzi
Attorney, Agent, or Firm—Fredrikson & Byron, P.A.

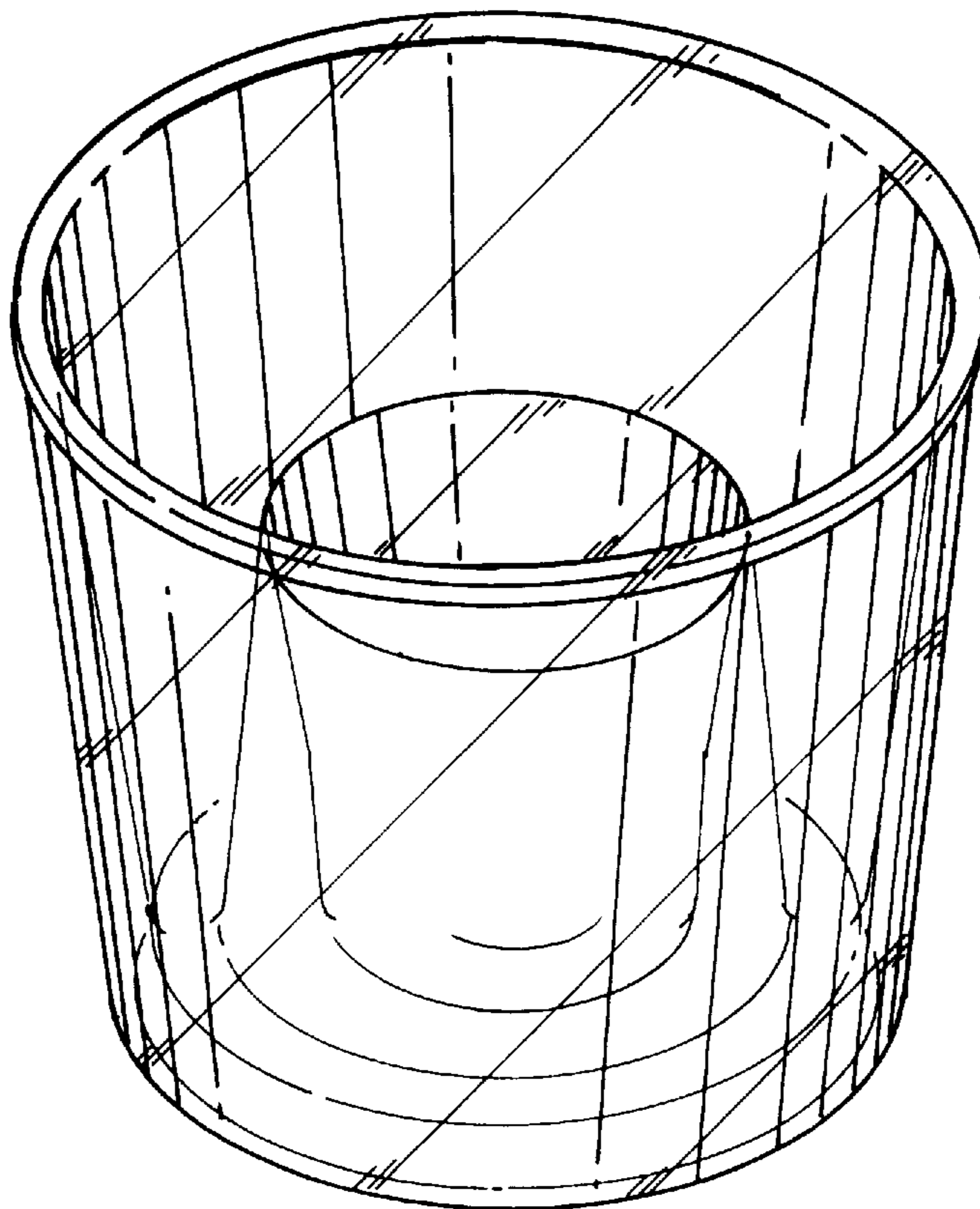
[57] **CLAIM**

I claim the ornamental design for a cup, as shown.

DESCRIPTION

FIG. 1 is a perspective view as seen from the side and top of the design;
FIG. 2 is a side elevation view thereof;
FIG. 3 is a top plan view thereof; and,
FIG. 4 is a bottom plan view thereof.

1 Claim, 2 Drawing Sheets



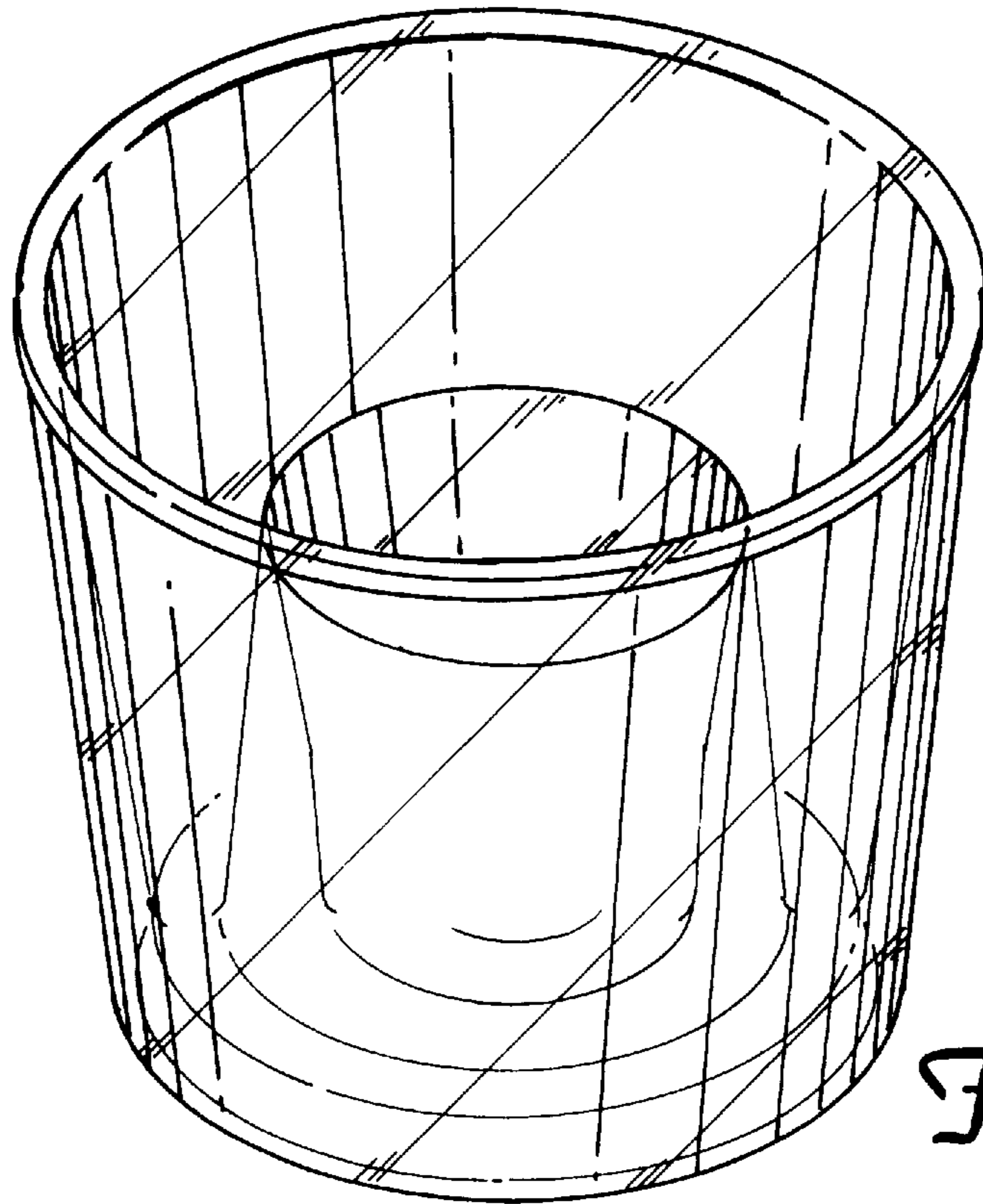


Fig. 1

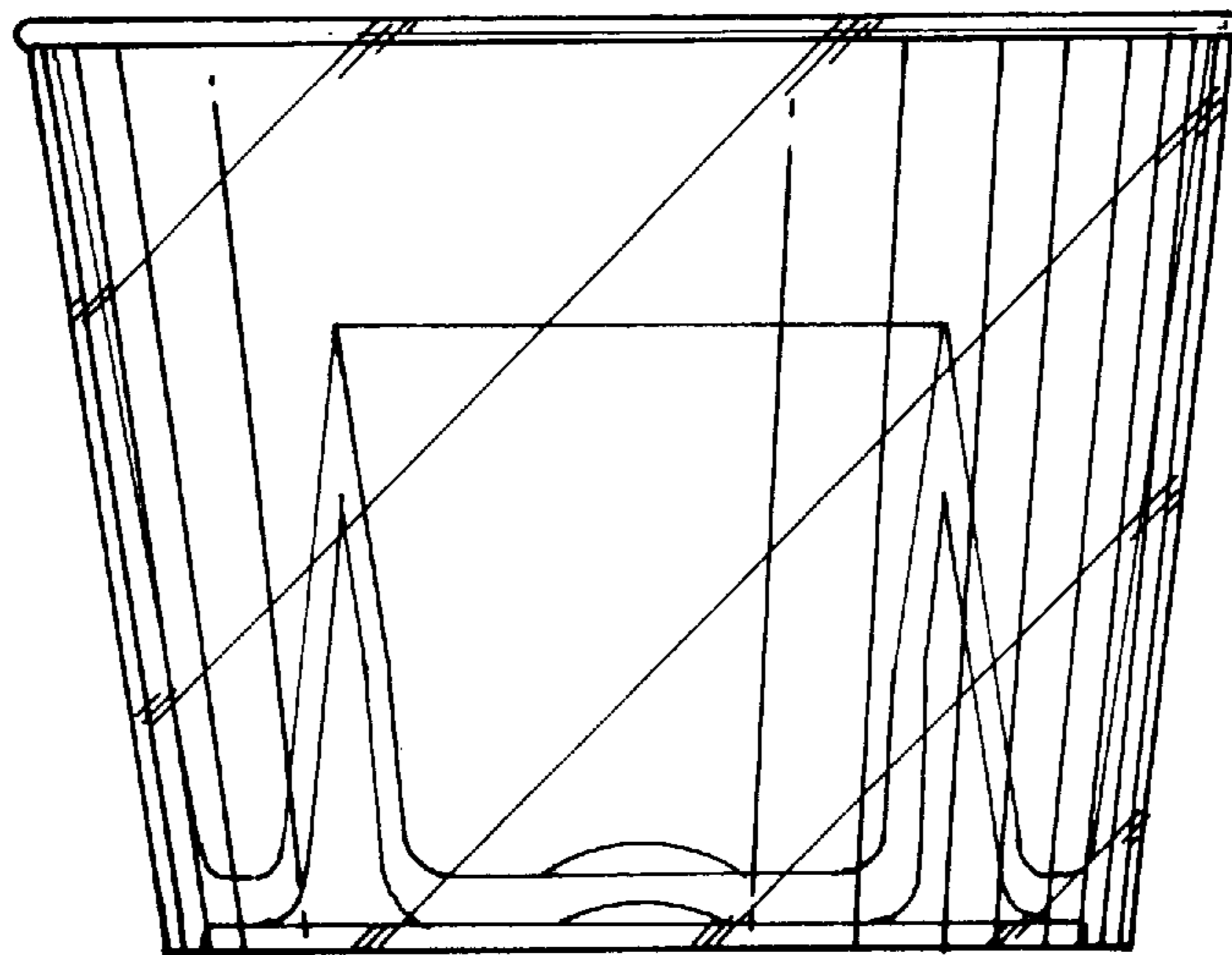


Fig. 2

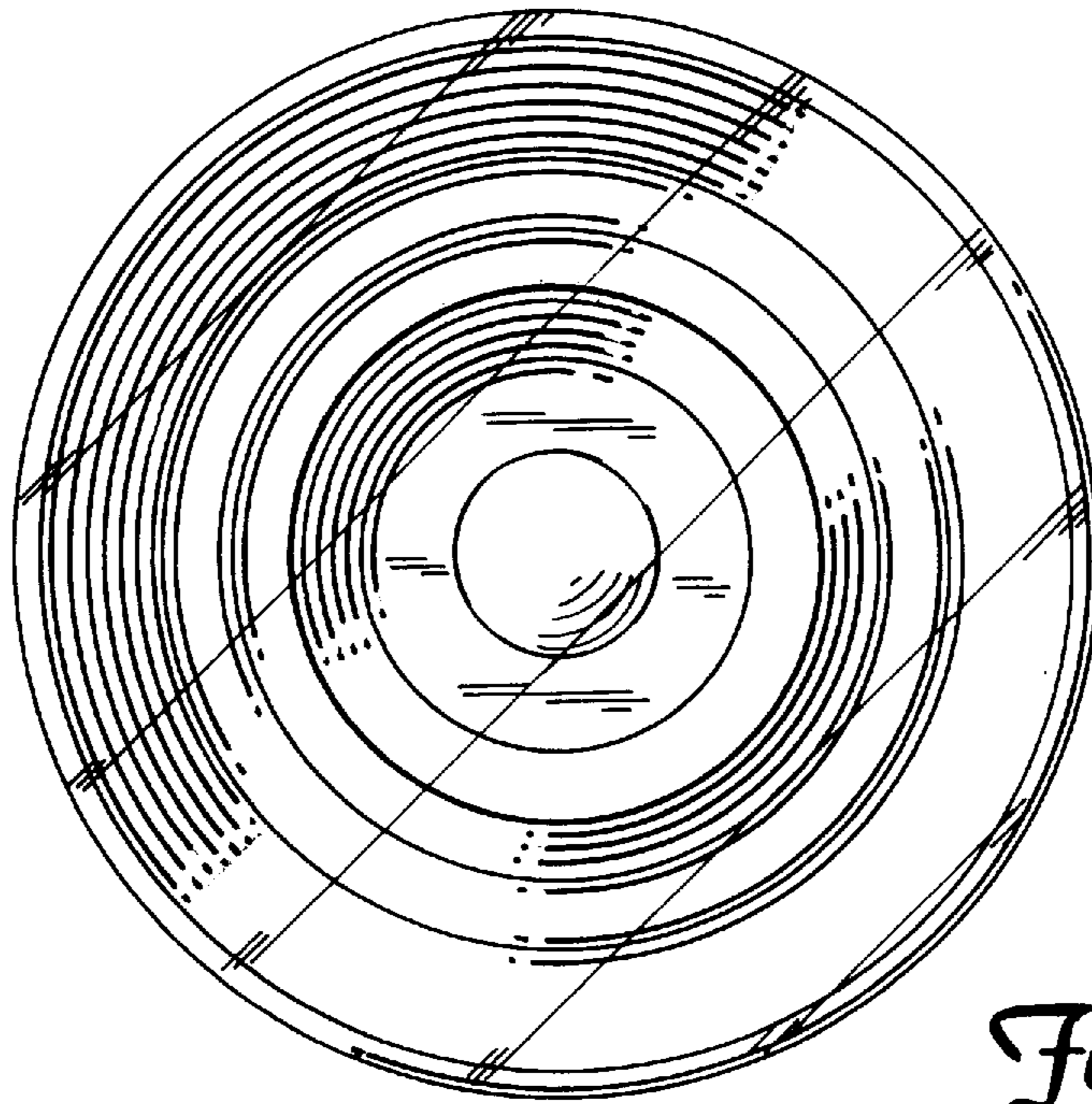


Fig. 3

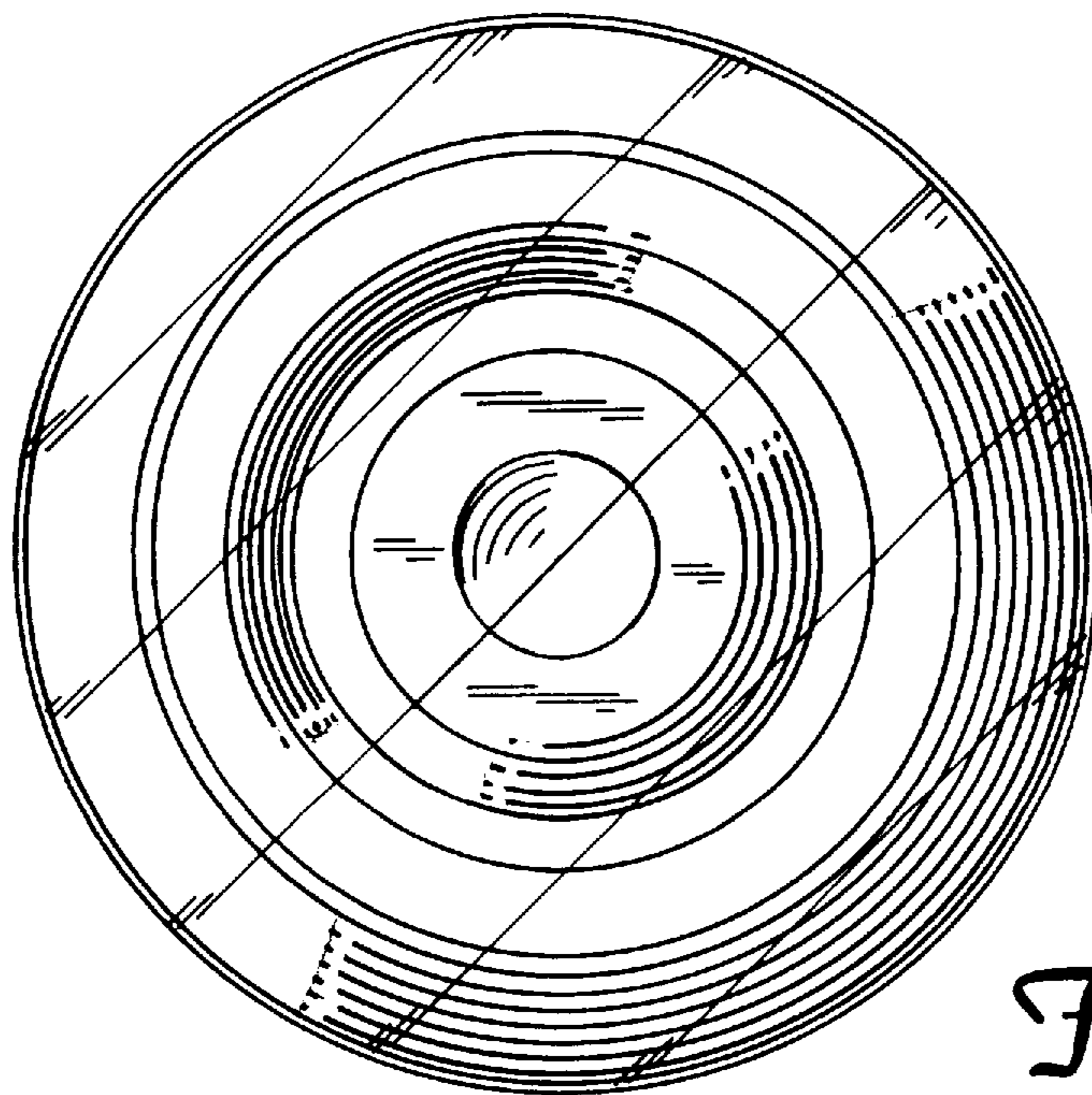


Fig. 4