



US00D400397S

United States Patent [19] Stephan

[11] **Patent Number:** **Des. 400,397**

[45] **Date of Patent:** ****Nov. 3, 1998**

[54] **CONTAINER WITH STRAINER LID**

[76] **Inventor:** **George Stephan**, 14 Reginald Street,
Five Dock, New South Wales 2046,
Australia

[**] **Term:** **14 Years**

[21] **Appl. No.:** **80,002**

[22] **Filed:** **Nov. 28, 1997**

[51] **LOC (6) Cl.** **07-01**

[52] **U.S. Cl.** **D7/510; D7/511; D7/428**

[58] **Field of Search** **D7/510, 511, 300.2,**
D7/514, 515, 516, 517, 523, 509, 300.1,
467; 220/526, 707, 705; 215/329; D9/431,
428

[56] **References Cited**

U.S. PATENT DOCUMENTS

D. 273,651	5/1984	Emrick	D9/428
D. 276,139	10/1984	Rayner	D9/428
D. 280,076	8/1985	Haag, Sr.	D9/428
D. 280,600	9/1985	Earl	D9/428 X
D. 338,714	8/1993	Oliphant et al.	D7/509 X
D. 355,735	2/1995	Shaffer et al.	D9/428 X
D. 359,882	7/1995	Birge, Jr.	D7/510
1,137,462	4/1915	Clark	D7/511 X
2,707,588	5/1955	Amberg	D7/511 X
2,728,516	12/1955	Rodman	D7/511 X
5,542,532	8/1996	Mitchell	D7/511 X

Primary Examiner—M. N. Pandozzi
Attorney, Agent, or Firm—James Ray & Associates

[57] **CLAIM**

The ornamental design for the container with strainer lid, as shown and described.

DESCRIPTION

FIG. 1 is a top perspective view of a container with strainer lid showing my new design;

FIG. 2 is an exploded top perspective view thereof;

FIG. 3 is a top perspective view thereof, with the lid removed for ease of illustration;

FIG. 4 is a top perspective view thereof, with the body removed for ease of illustration;

FIG. 5 is a bottom perspective view of the lid portion of the container with strainer lid with the body removed for ease of illustration;

FIG. 6 is a top plan view of a container with strainer lid at a reduced scale;

FIG. 7 is a side elevational view thereof;

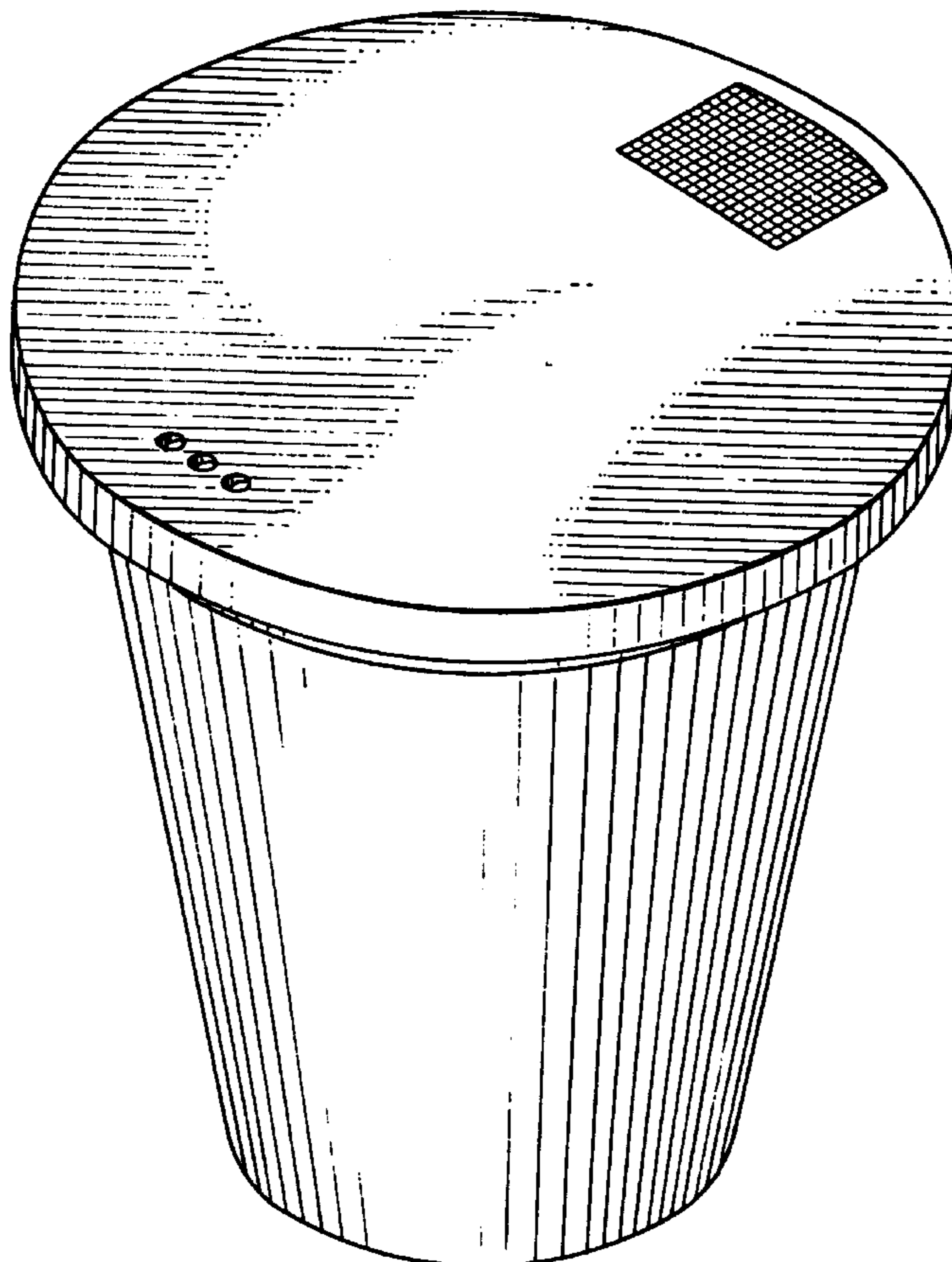
FIG. 8 is a bottom plan view thereof;

FIG. 9 is a top view to a reduced scale of the lid of FIG. 4;

FIG. 10 is a side view to a reduced scale of the lid of FIG. 4, and,

FIG. 11 is a view to a reduced scale of the under face of the lid of FIG. 4.

1 Claim, 6 Drawing Sheets



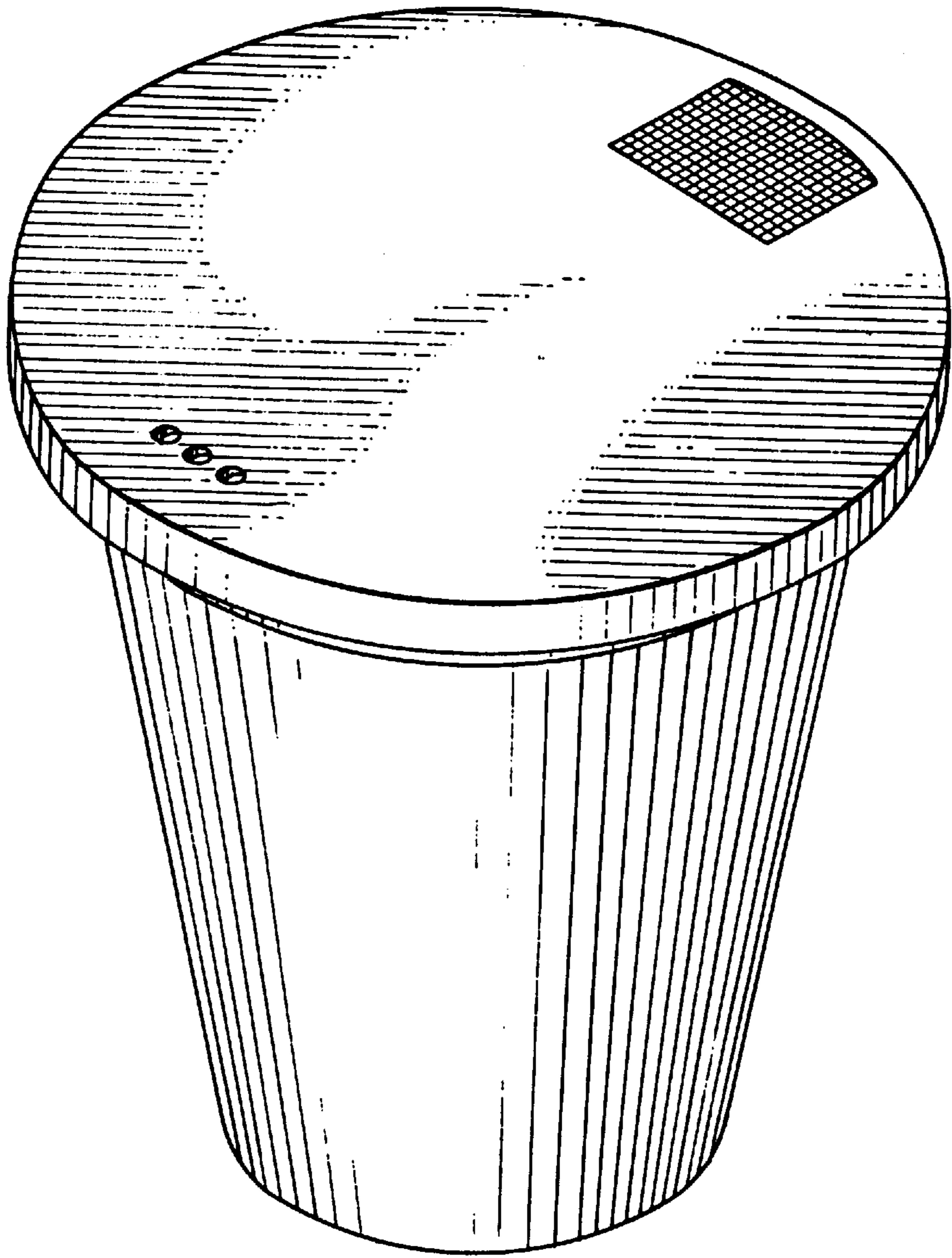


FIG. 1

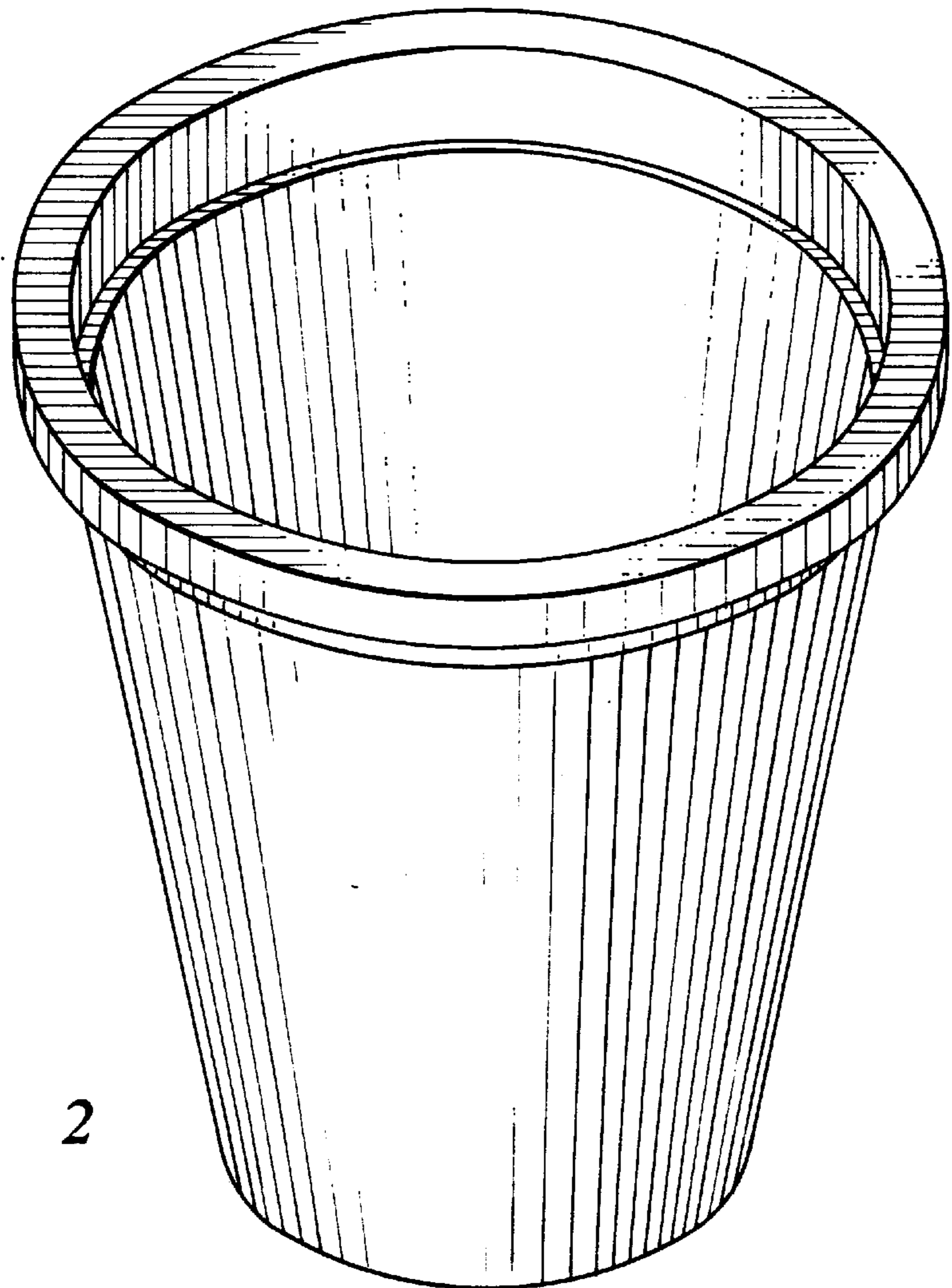
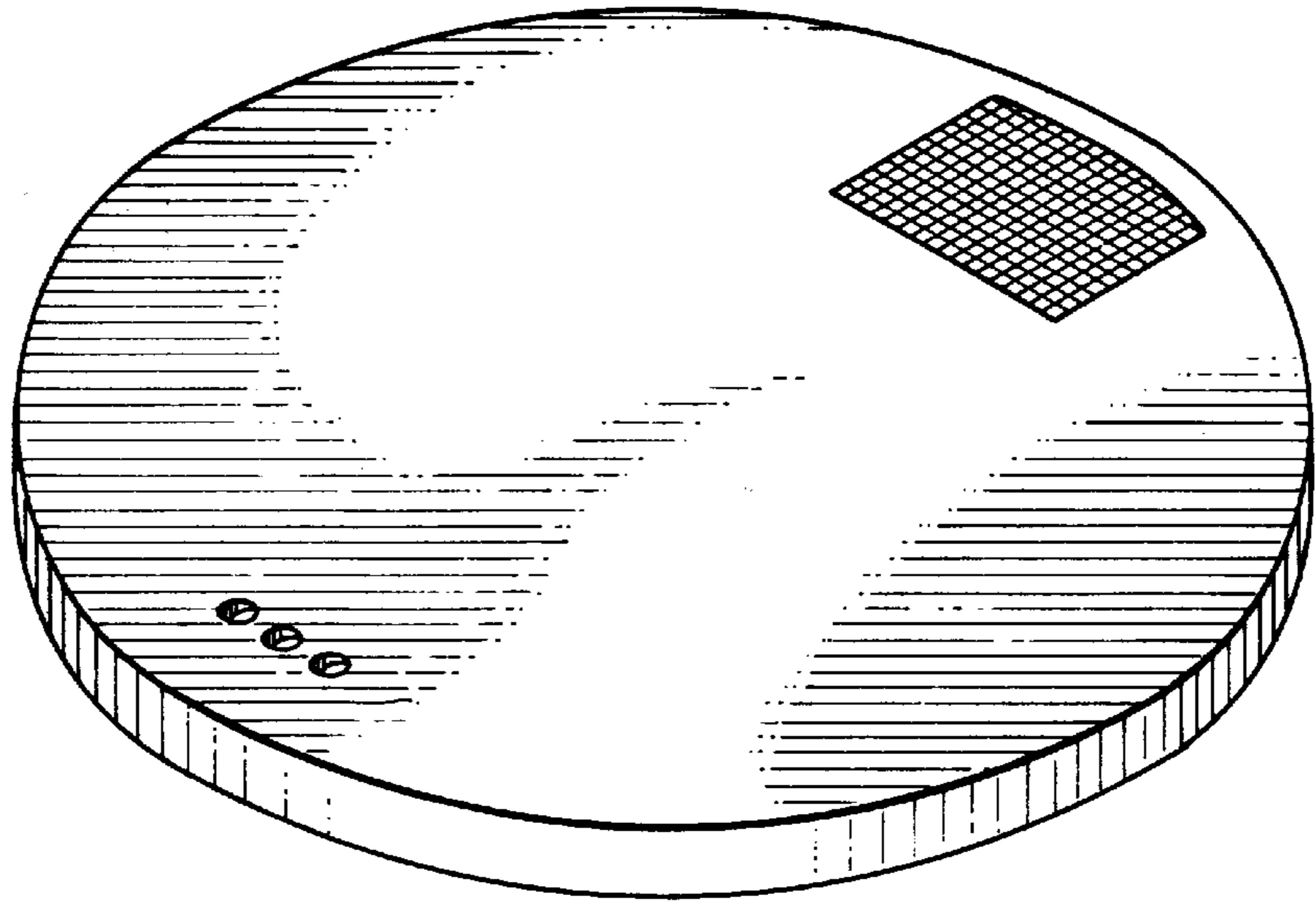


FIG. 2

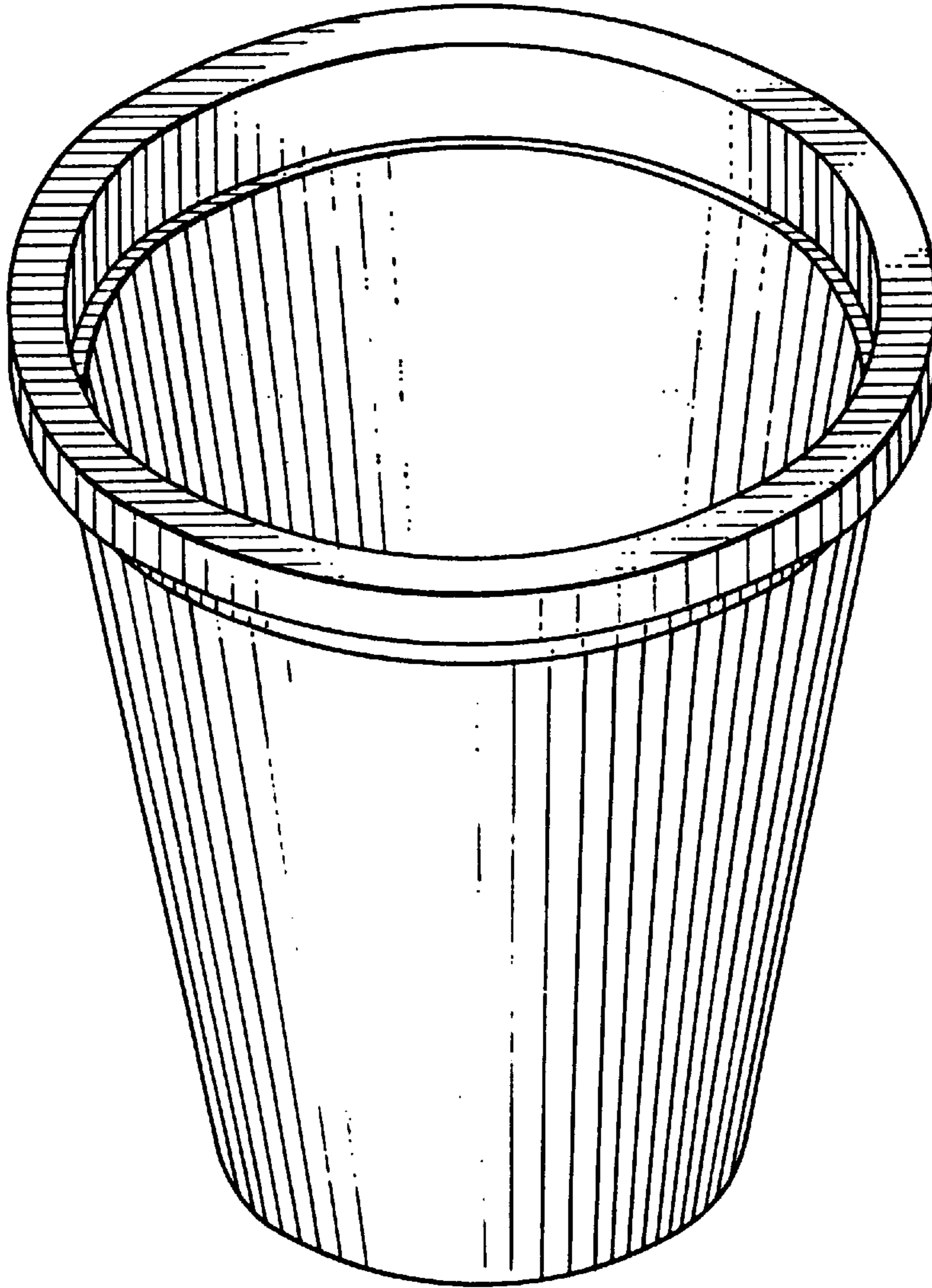


FIG. 3

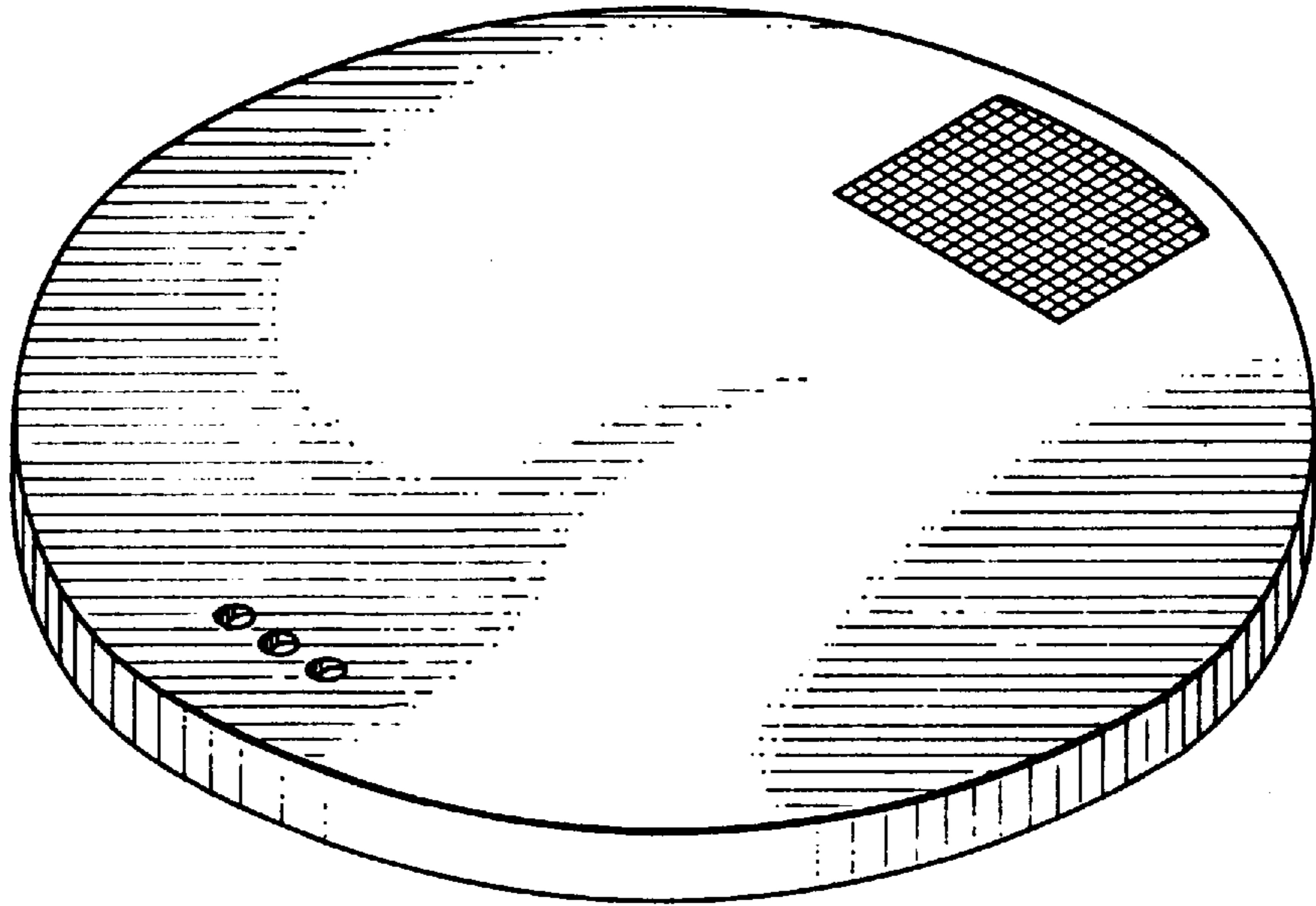


FIG. 4

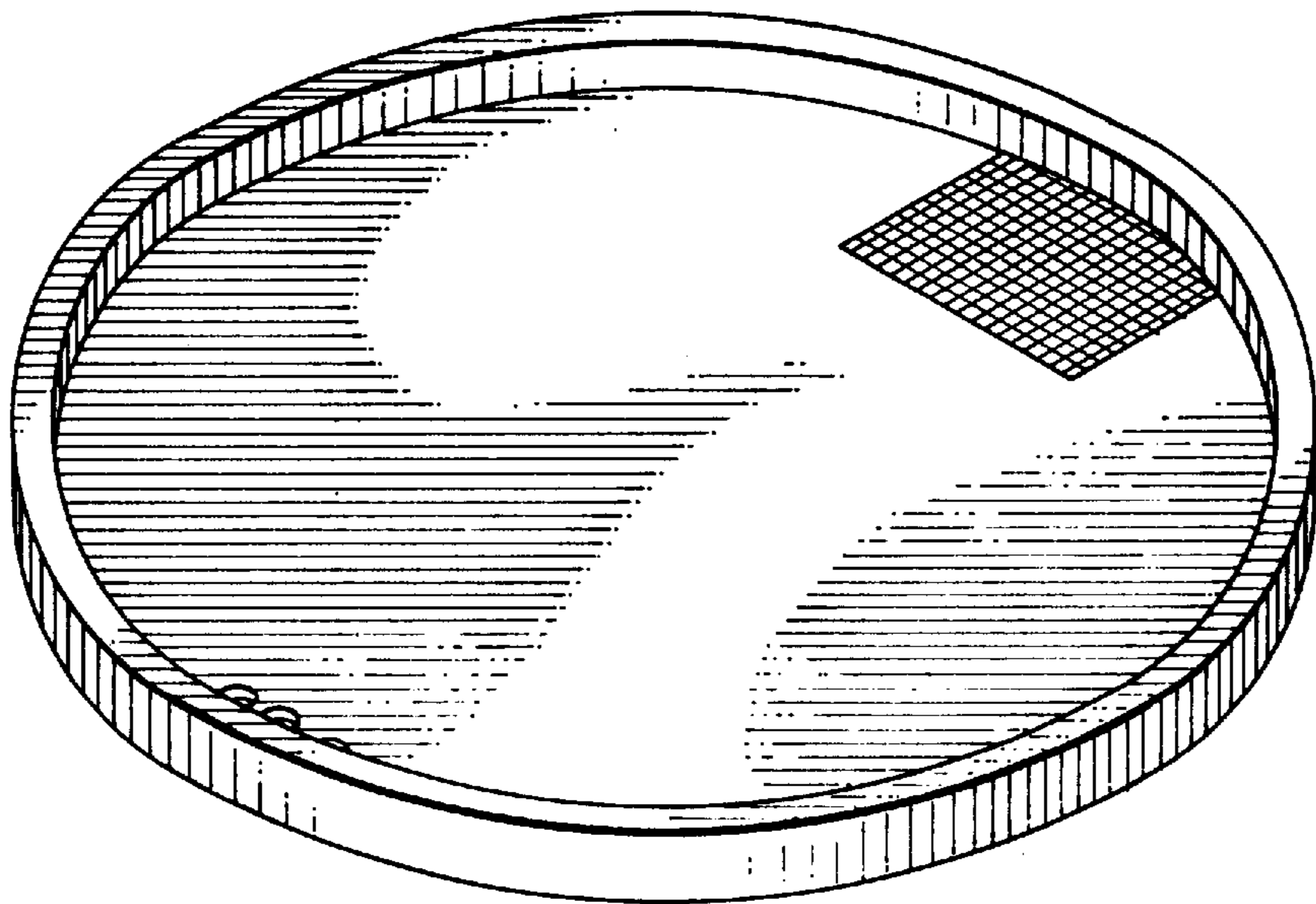


FIG. 5

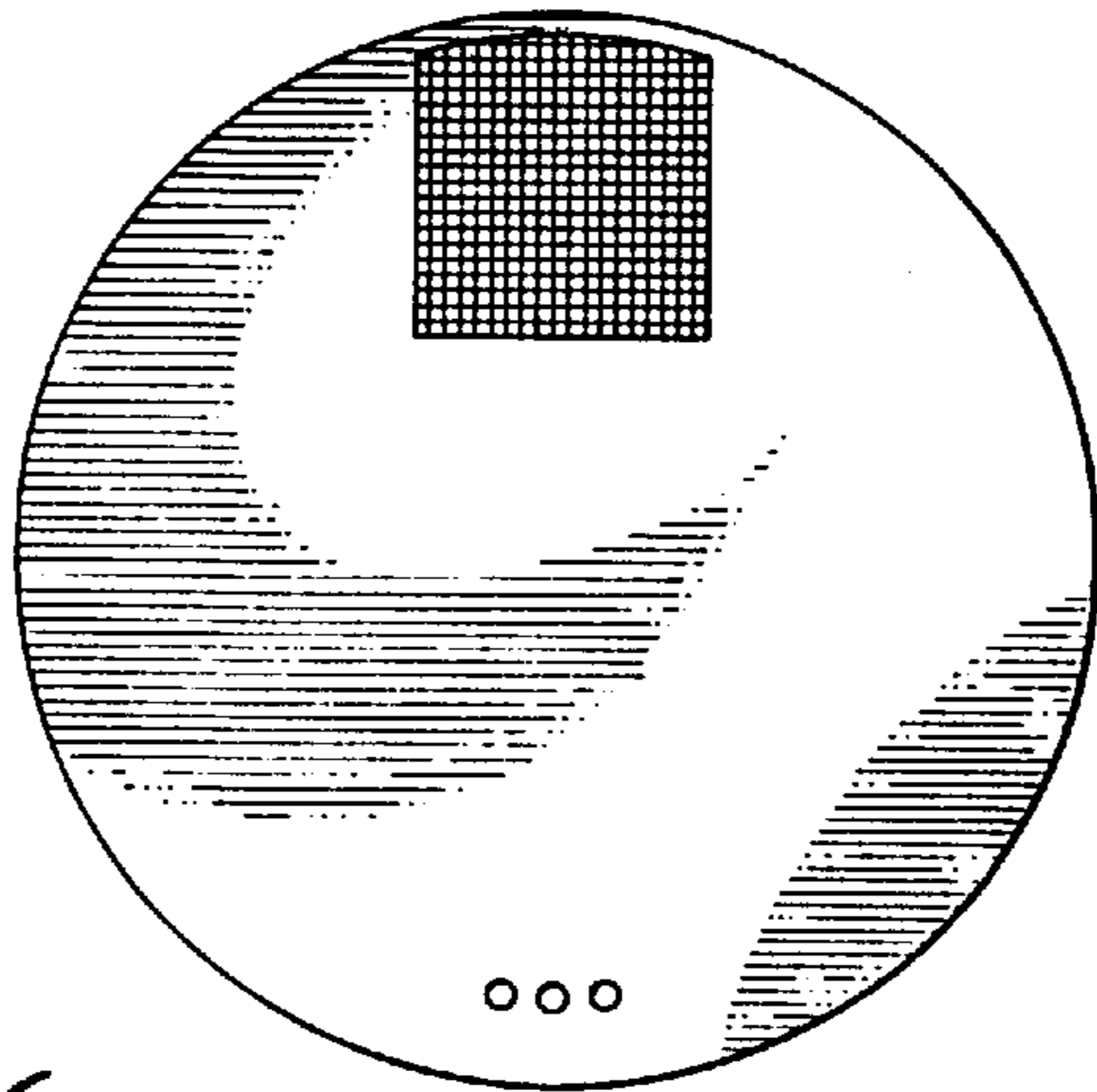


FIG. 6

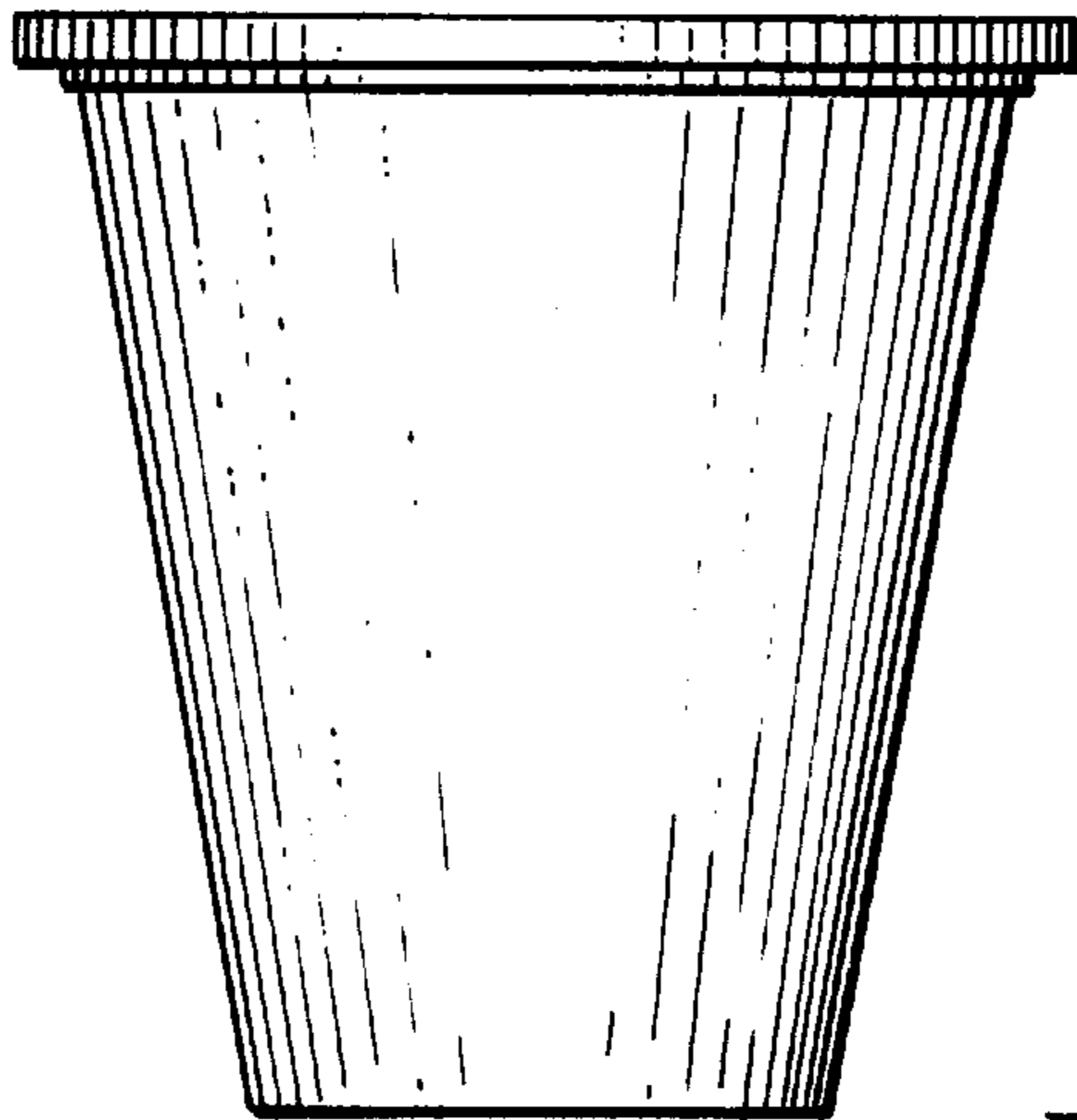


FIG. 7

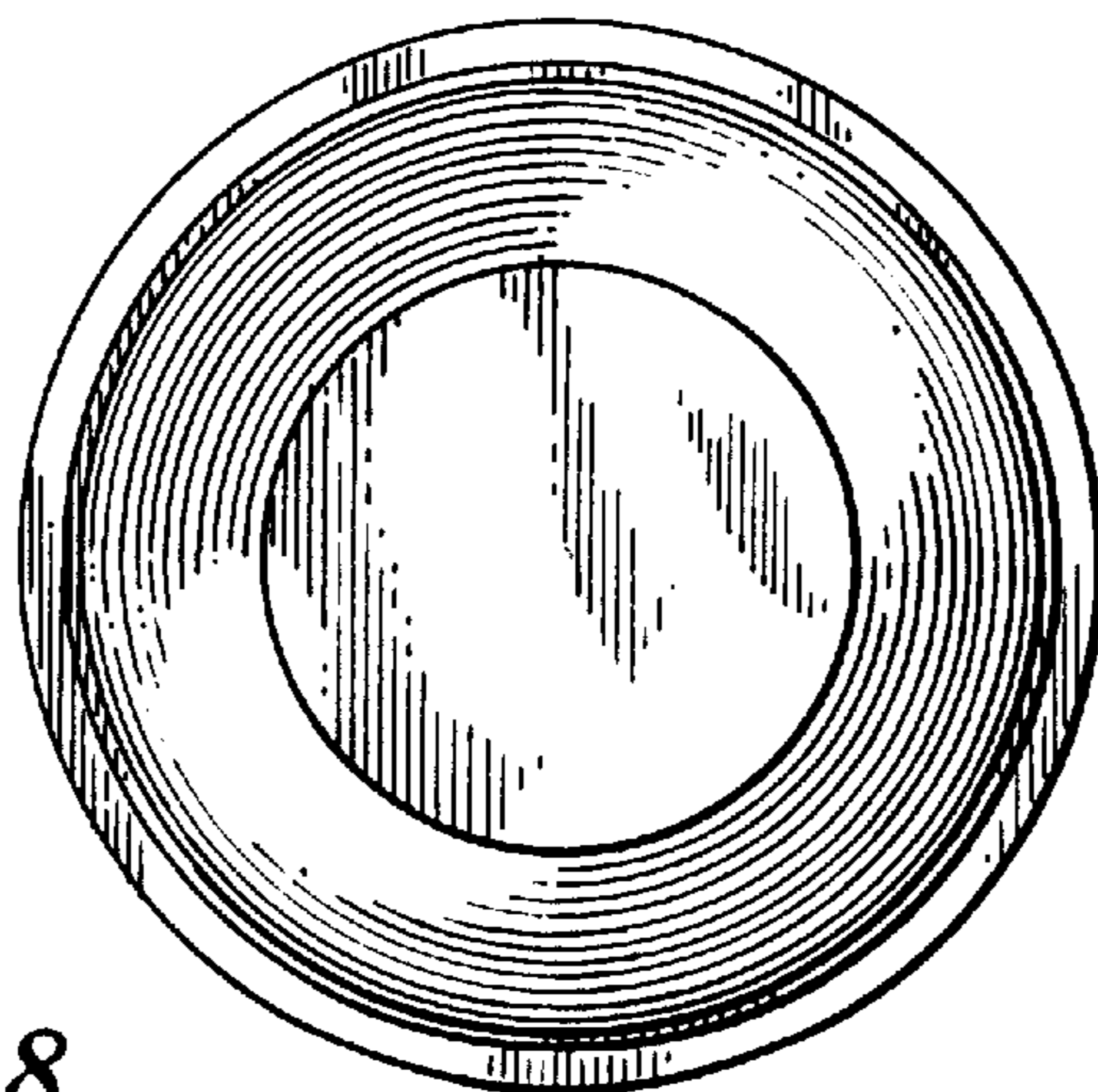


FIG. 8

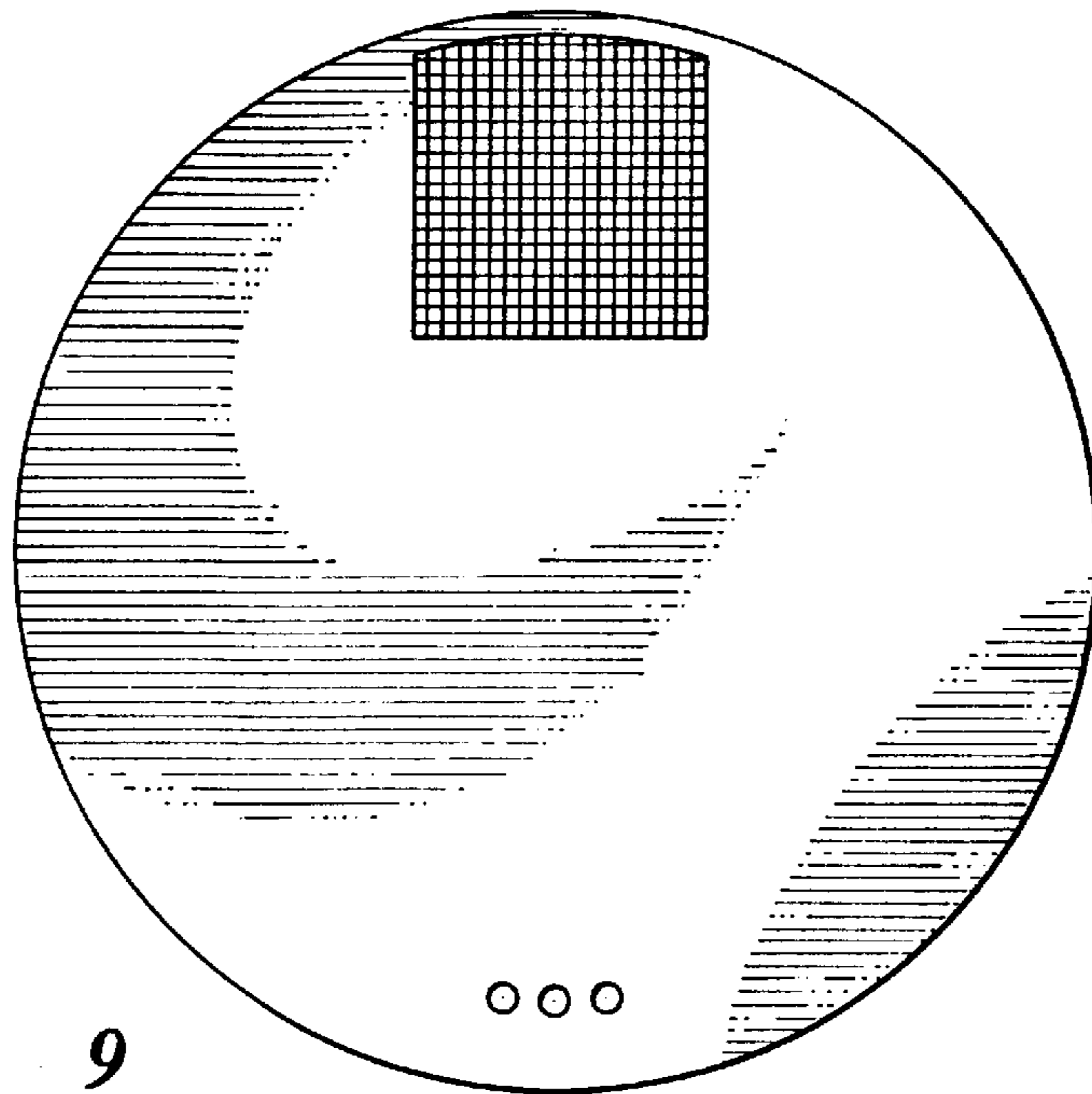


FIG. 9



FIG. 10

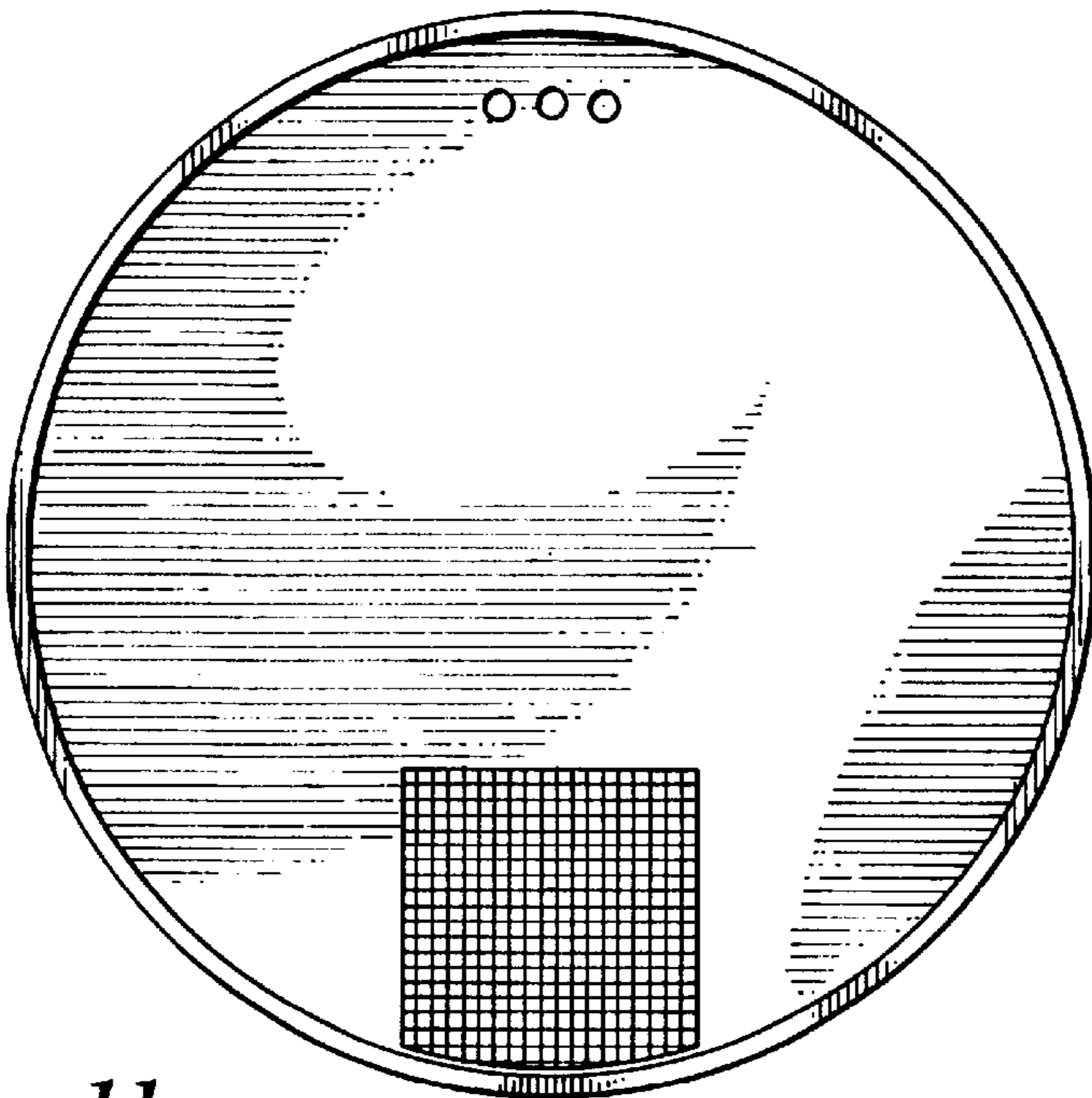


FIG. 11

UNITED STATES PATENT AND TRADEMARK OFFICE
CERTIFICATE OF CORRECTION

PATENT : Des. 400,397

DATED : November 3, 1998

INVENTOR(S) : George Stephan

It is certified that error appears in the above-identified patent and that said Letters Patent is hereby corrected as shown below:

On the title page, below item [22] Filed: insert the following:

--[30] Foreign Application Priority Data
May 27, 1997 [AU] Australia1659/97--.

Signed and Sealed this
Second Day of May, 2000

Attest:



Q. TODD DICKINSON

Attesting Officer

Director of Patents and Trademarks