



US00D400391S

# United States Patent [19] Hulley

[11] **Patent Number: Des. 400,391**

[45] **Date of Patent: \*\*Nov. 3, 1998**

[54] **WATER FILTRATION DEVICE**  
[75] Inventor: **Peter Hulley**, Peterborough, England  
[73] Assignee: **Soda-Club Holdings N.V.**, Curacao, Netherlands  
[\*\*] Term: **14 Years**

D. 349,417 8/1994 Malmborg et al. .... D7/306  
D. 354,414 1/1995 Westgerdes ..... D7/313  
D. 366,387 1/1996 Malmborg et al. .... D7/313  
D. 370,379 6/1996 Klein et al. .... D7/313  
D. 389,002 1/1998 Denmore et al. .... D7/313

*Primary Examiner*—M. N. Pandozzi  
*Attorney, Agent, or Firm*—Panitch Schwarze Jacobs & Nadel, P.C.

[21] Appl. No.: **70,064**  
[22] Filed: **Apr. 25, 1997**  
[30] **Foreign Application Priority Data**

Oct. 28, 1996 [IL] Israel ..... 26930

[51] **LOC (6) Cl.** ..... **07-01**  
[52] **U.S. Cl.** ..... **D7/313; D7/306; D7/322**  
[58] **Field of Search** ..... D7/300, 306, 307,  
D7/308, 322, 313, 304, 312, 321; 222/185;  
D23/209

### [57] CLAIM

The ornamental design for a water filtration device, as shown and described.

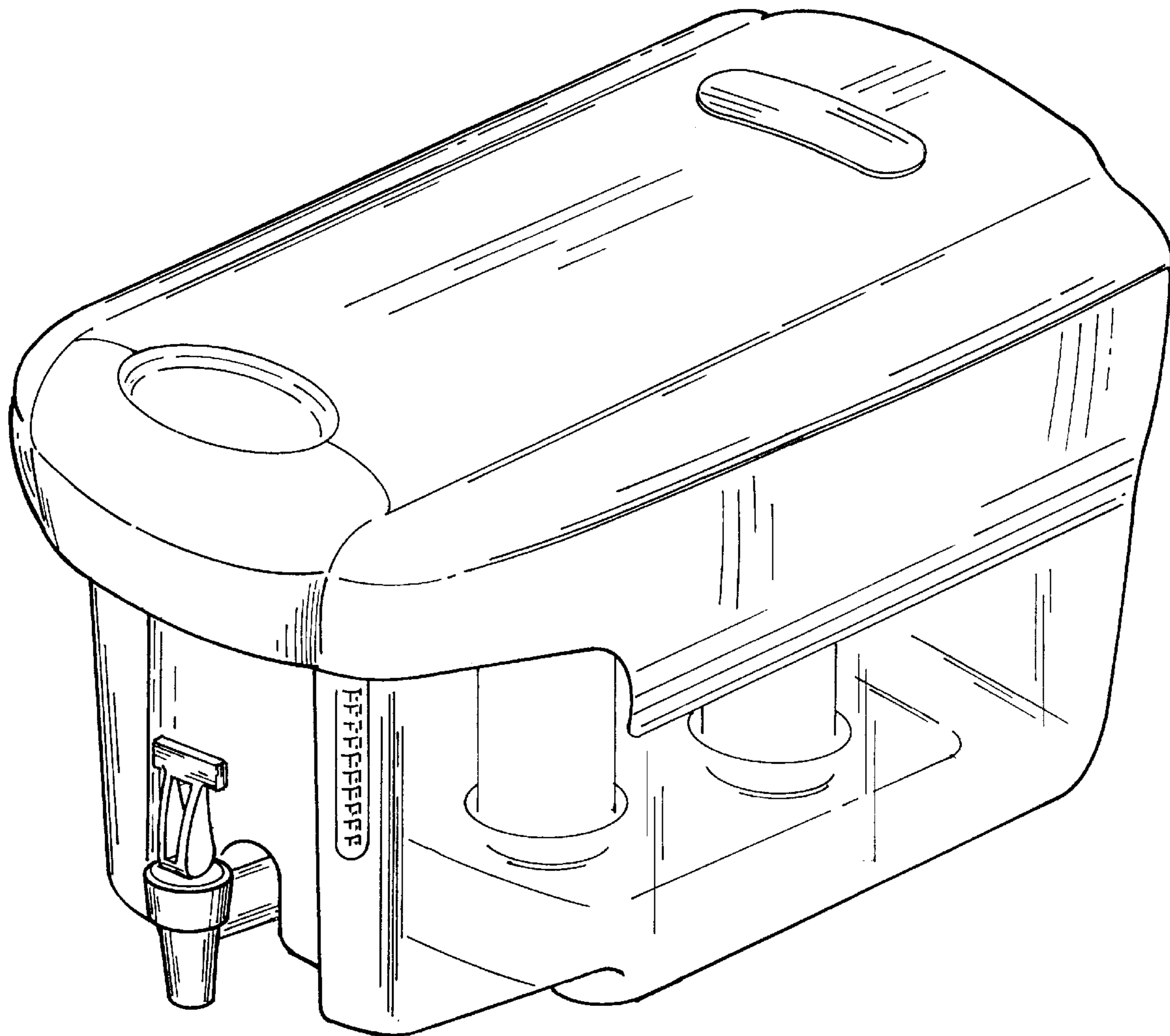
### DESCRIPTION

FIG. 1 is a top plan view of a water filtration device in accordance with my new design;  
FIG. 2 is a front elevational view thereof;  
FIG. 3 is a right side elevational view thereof, with the left side being a mirror image thereof;  
FIG. 4 is a rear elevational view thereof;  
FIG. 5 is a bottom view thereof; and,  
FIG. 6 is a perspective view thereof.

### [56] References Cited U.S. PATENT DOCUMENTS

D. 318,395 7/1991 Juergens ..... D7/311

**1 Claim, 3 Drawing Sheets**



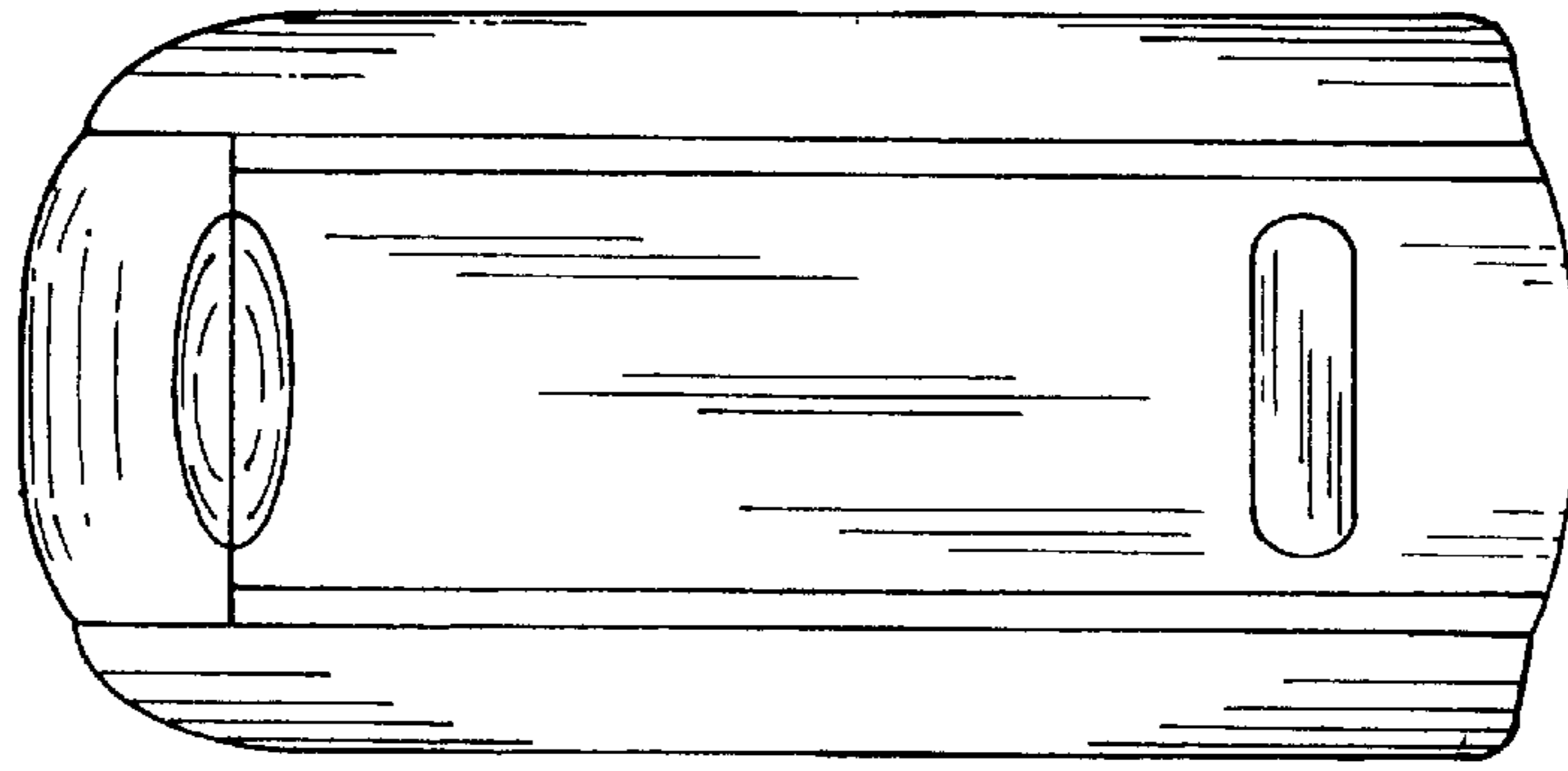


Fig. 1

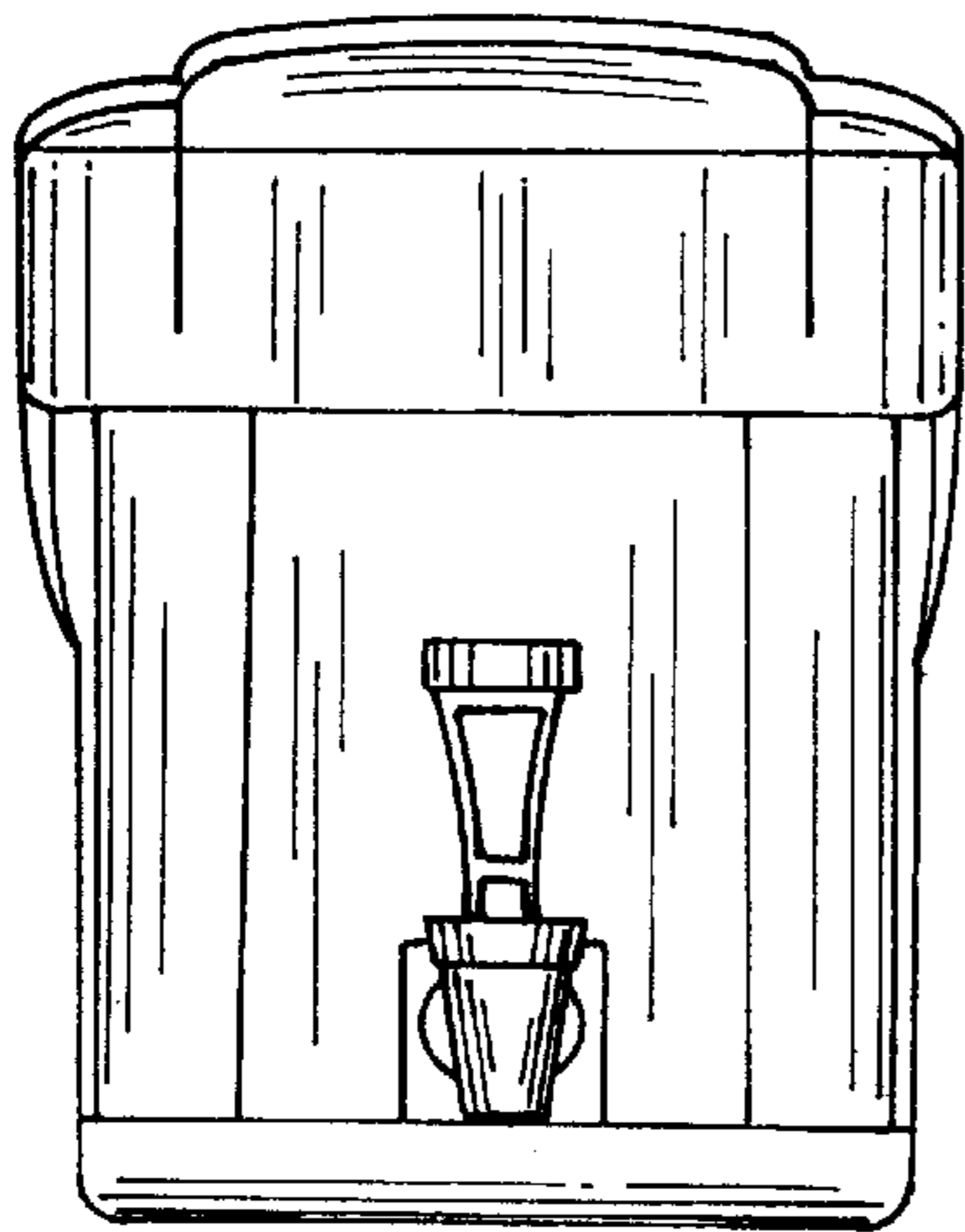


Fig. 2

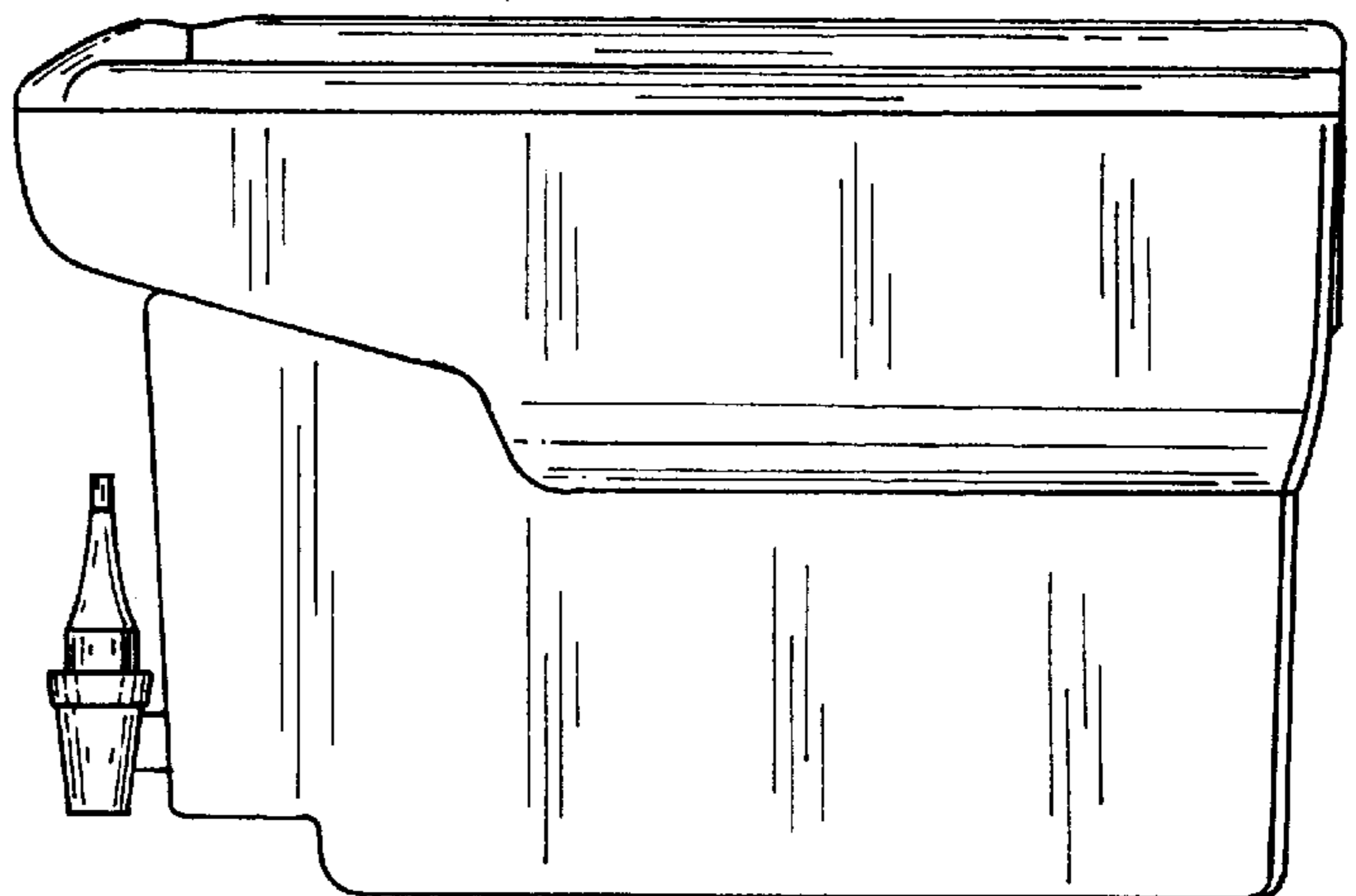


Fig. 3

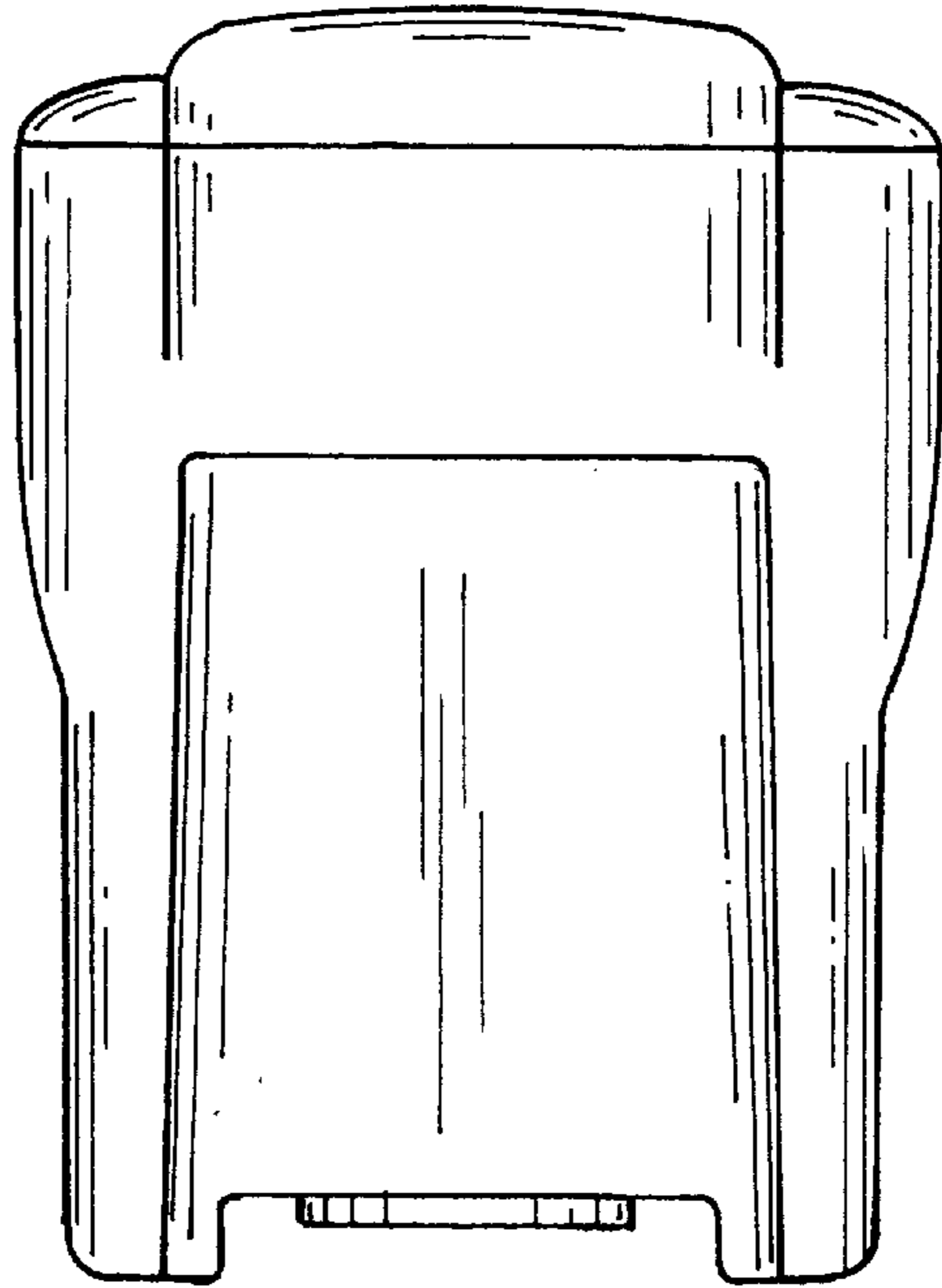


Fig. 4

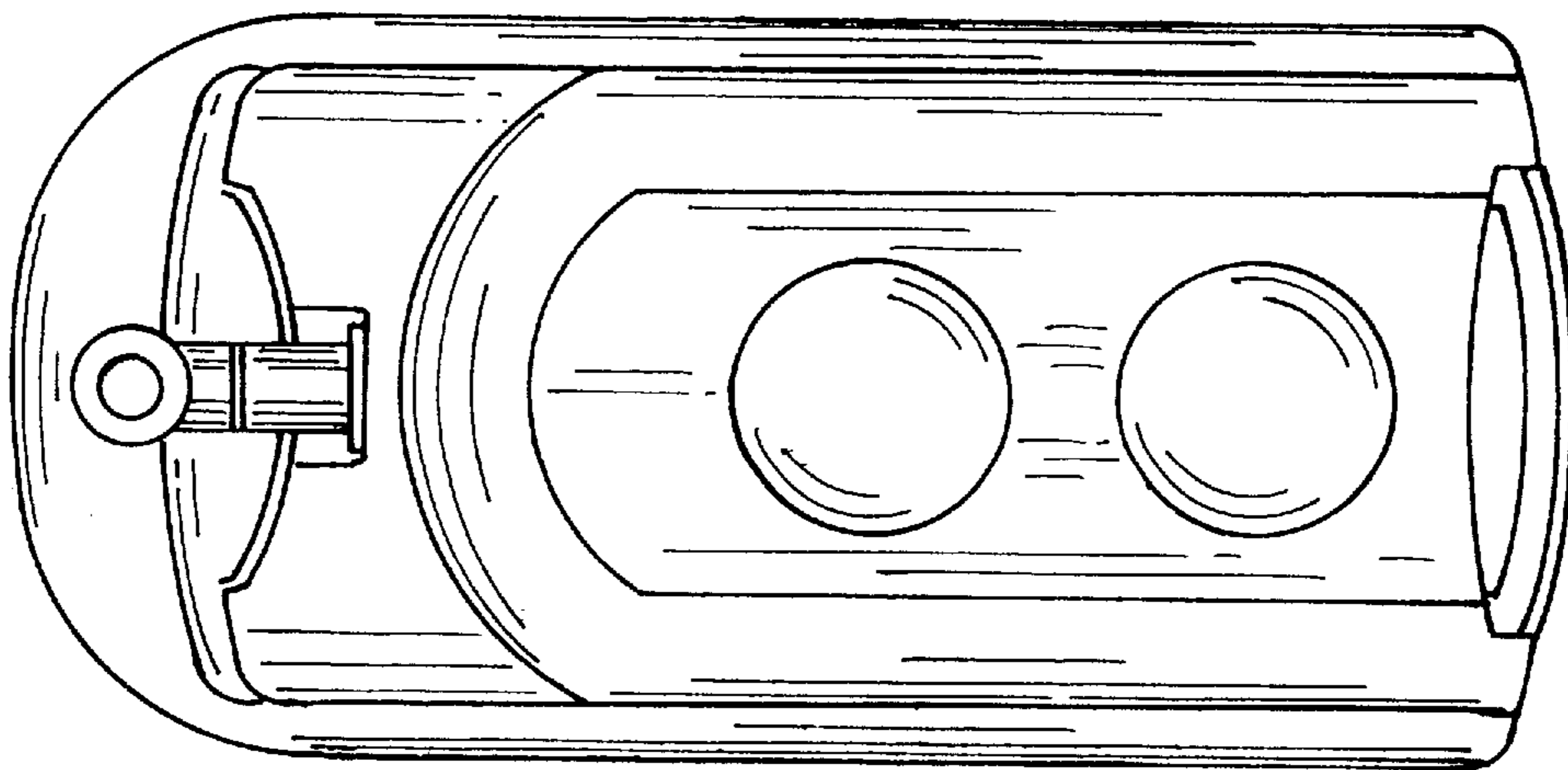


Fig. 5

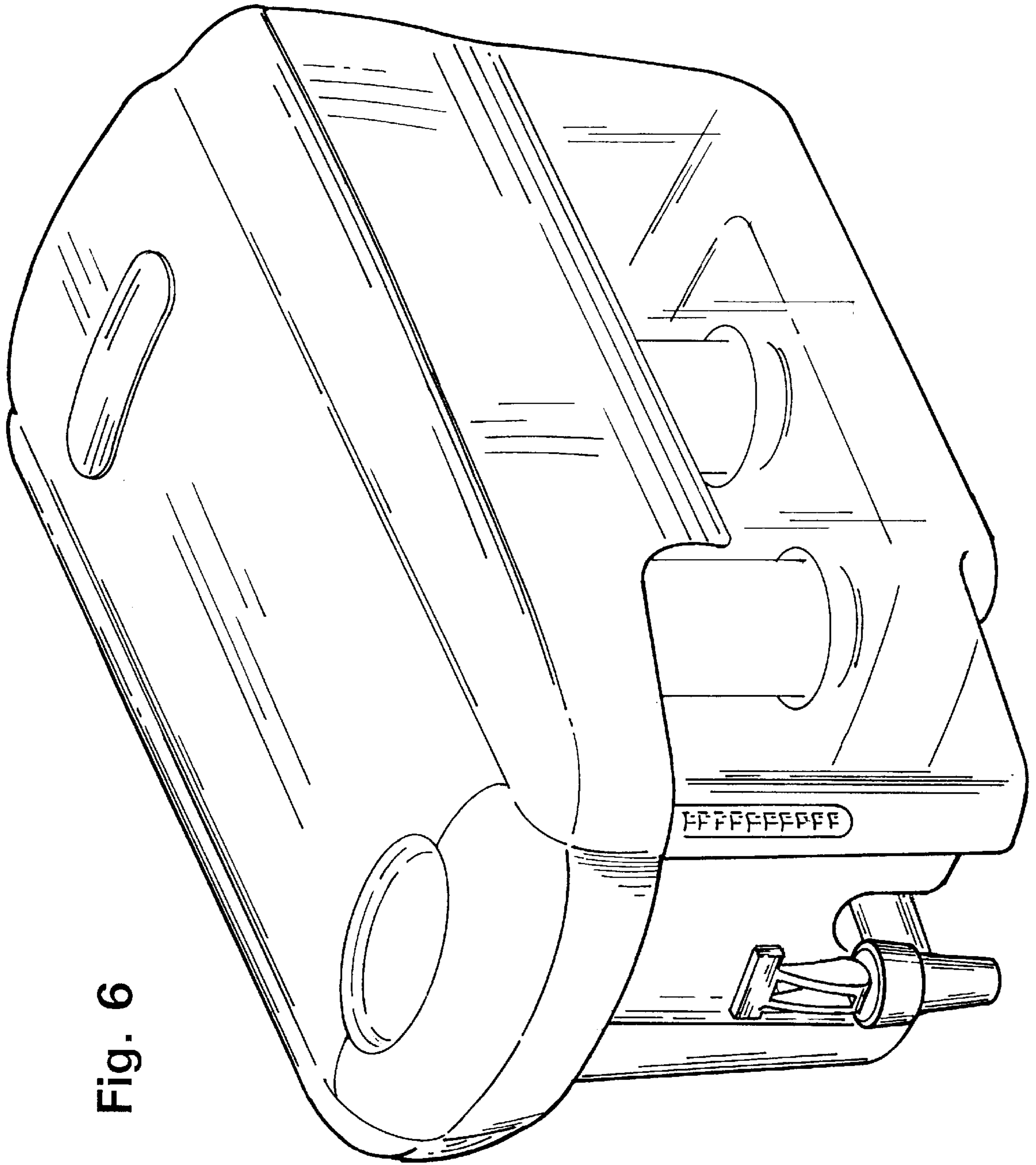


Fig. 6